



US00D898295S

(12) **United States Design Patent**
Kikuchi

(10) **Patent No.:** **US D898,295 S**

(45) **Date of Patent:** **** Oct. 6, 2020**

- (54) **POWDER COMPACT**
- (71) Applicant: **Taisuke Kikuchi**, Tokyo (JP)
- (72) Inventor: **Taisuke Kikuchi**, Tokyo (JP)
- (73) Assignee: **SHISEIDO CO., LTD.**, Tokyo (JP)
- (**) Term: **15 Years**
- (21) Appl. No.: **29/655,588**
- (22) Filed: **Jul. 5, 2018**
- (51) **LOC (12) Cl.** **28-03**
- (52) **U.S. Cl.**
USPC **D28/82**
- (58) **Field of Classification Search**
USPC D28/76-85, 88, 90, 99; D9/414, 424,
D9/430, 432, 456, 499, 503, 529, 516,
D9/556, 686, 738
CPC A45D 33/00; A45D 33/003; A45D 33/006;
A45D 33/008; A45D 33/025; A45D
33/06; A45D 33/14; A45D 33/18; A45D
33/22; A45D 33/24; A45D 33/26; A45D
34/048; A45D 34/06; A45D 40/00; A45D
40/0068; A45D 40/02; A45D 40/023;
A45D 40/026; A45D 40/04; A45D 40/06;
A45D 40/065; A45D 40/10; A45D 40/12;
A45D 40/18; A45D 40/22; A45D 40/222;
A45D 40/24; A45D 40/262; A45D
40/264; A45D 40/265; A45D 42/00;
A45D 42/02; A45D 42/04
See application file for complete search history.

(56) **References Cited**

U.S. PATENT DOCUMENTS

- 1,612,409 A * 12/1926 Anderson A45D 33/025
132/295
- 3,552,402 A * 1/1971 Levy A45D 40/221
132/293
- D621,547 S * 8/2010 Wirgler D28/82
- D626,289 S * 10/2010 Lee D28/82

- 9,867,447 B1 * 1/2018 Kim A45D 40/24
- D869,273 S * 12/2019 Kim D9/449
- 2016/0015149 A1 * 1/2016 Kim A45D 40/22
222/383.1
- 2016/0183660 A1 * 6/2016 Kim A45D 40/22
53/431
- 2018/0110316 A1 * 4/2018 Kim A45D 40/22
- 2018/0271255 A1 * 9/2018 Hong F16J 15/32
- 2019/0090610 A1 * 3/2019 Lee A45D 33/24

(Continued)

Primary Examiner — Jennifer Rivard

Assistant Examiner — Alison M Ofstun

(74) *Attorney, Agent, or Firm* — Manabu Kanesaka

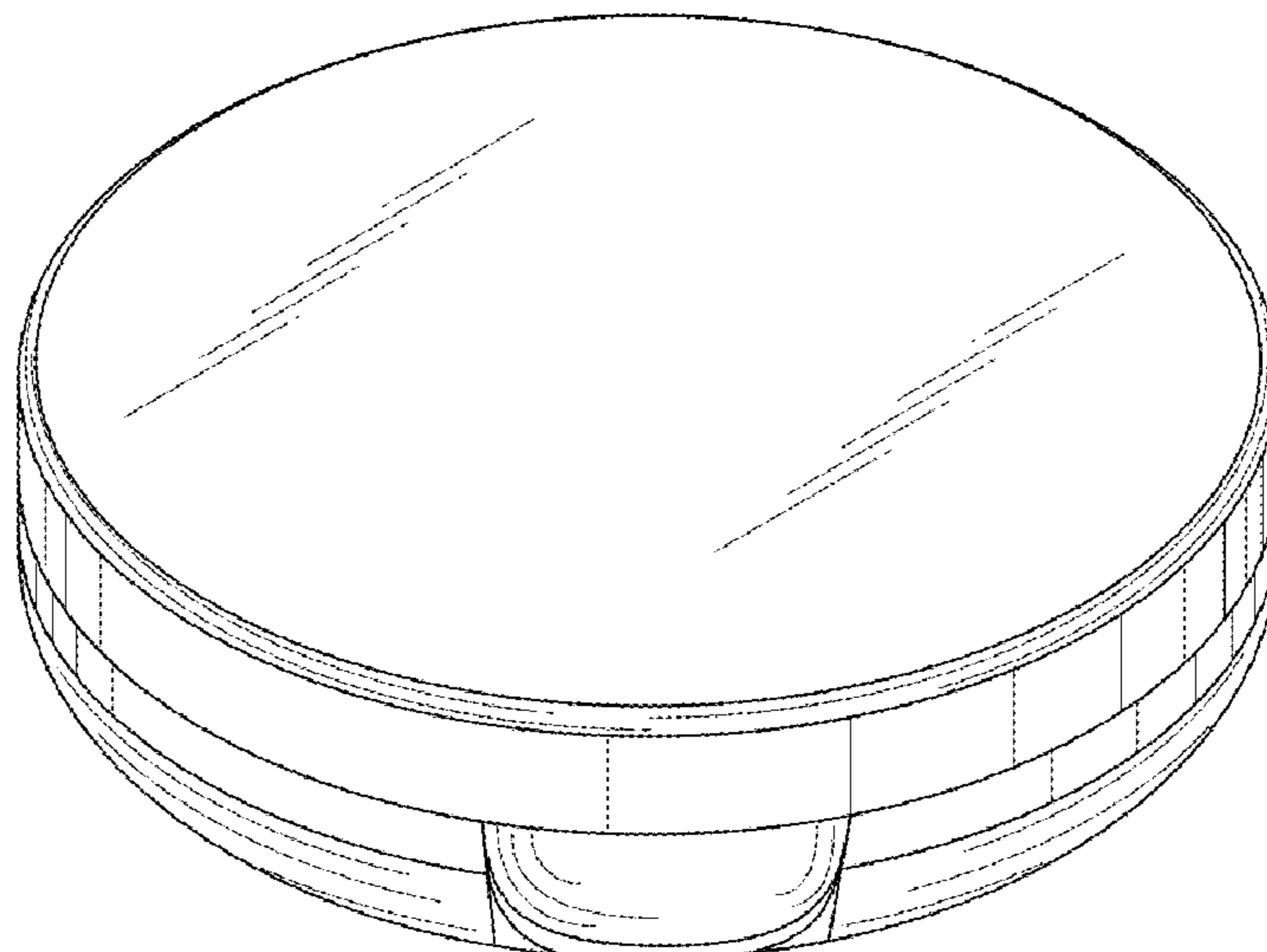
(57) **CLAIM**

The ornamental design for a powder compact, as shown and described.

DESCRIPTION

FIG. 1 is a top perspective view of a powder compact showing my new design;
 FIG. 2 is a front view thereof;
 FIG. 3 is a rear view thereof;
 FIG. 4 is a top plan view thereof;
 FIG. 5 is a bottom view thereof;
 FIG. 6 is a left side view thereof;
 FIG. 7 is a right side view thereof;
 FIG. 8 is a cross-sectional view thereof along the line 8-8 in FIG. 2;
 FIG. 9 is a cross-sectional view thereof along the line 9-9 in FIG. 7;
 FIG. 10 is a top plan view thereof, wherein a lid is open;
 FIG. 11 is a top plan view thereof, wherein an intermediate lid is open;
 FIG. 12 is a top perspective view thereof, wherein the lid is open; and,
 FIG. 13 is a top perspective view thereof, wherein the intermediate lid is open.
 The broken lines depict portions of the powder compact that form no part of claimed design.

1 Claim, 4 Drawing Sheets



(56)

References Cited

U.S. PATENT DOCUMENTS

2019/0098985 A1* 4/2019 Byeon B65D 83/00
2019/0200724 A1* 7/2019 Lee A45D 33/008
2019/0335879 A1* 11/2019 Park A45D 37/00
2019/0365074 A1* 12/2019 Kikuchi A45D 33/003
2019/0365076 A1* 12/2019 Ducastin A45D 33/008
2020/0008556 A1* 1/2020 Kim A45D 33/24

* cited by examiner

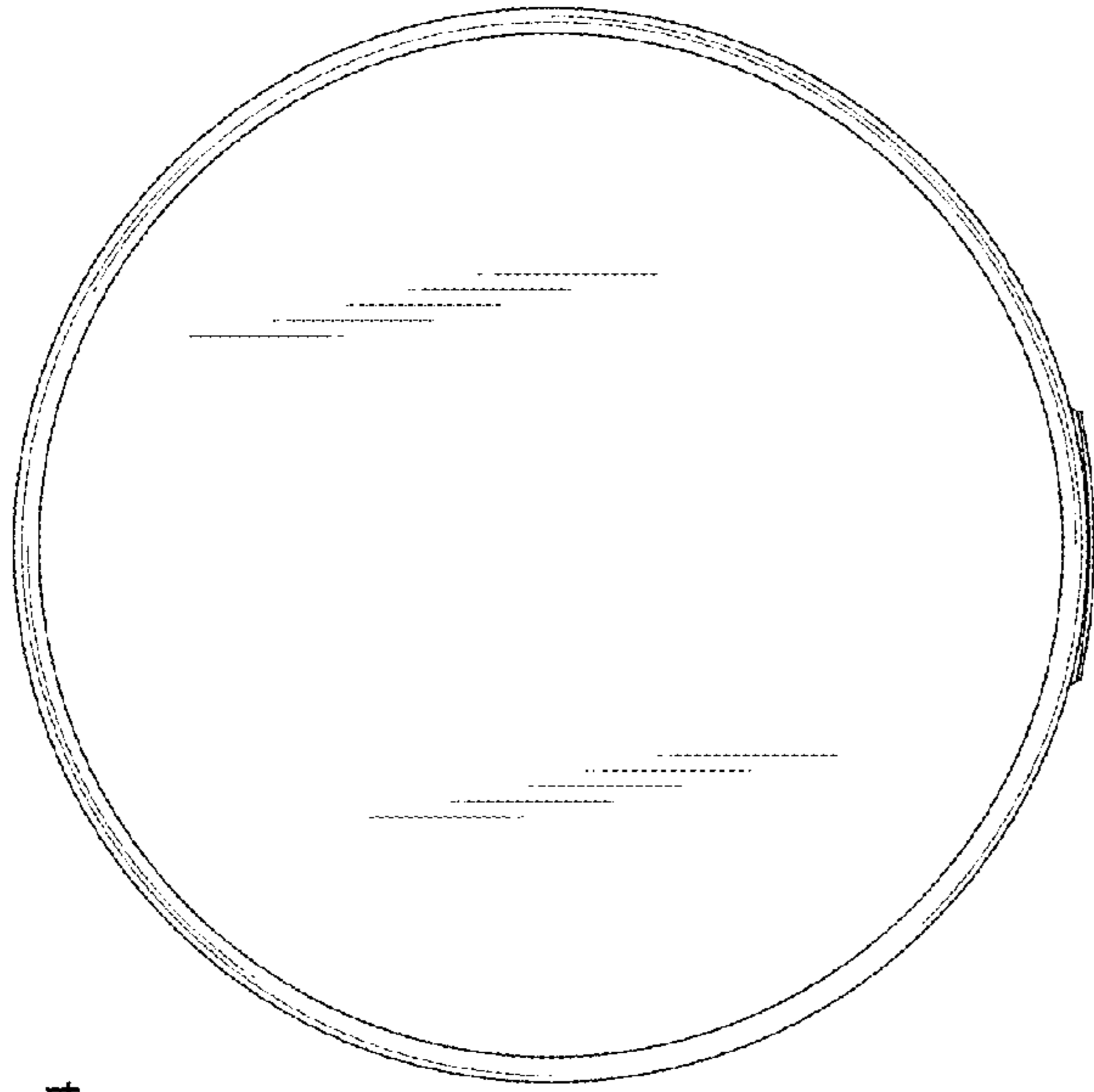


Fig.4

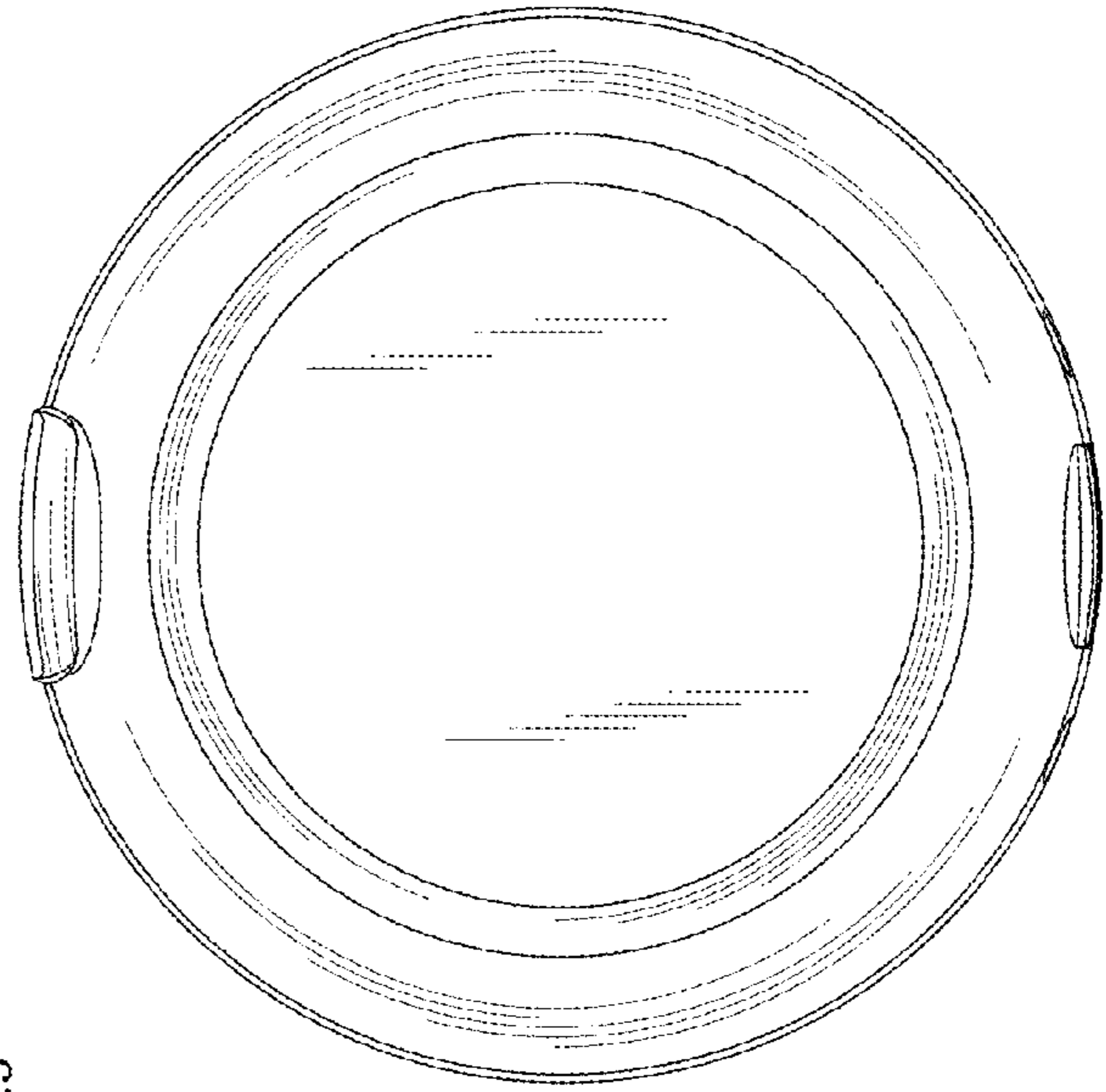


Fig.5

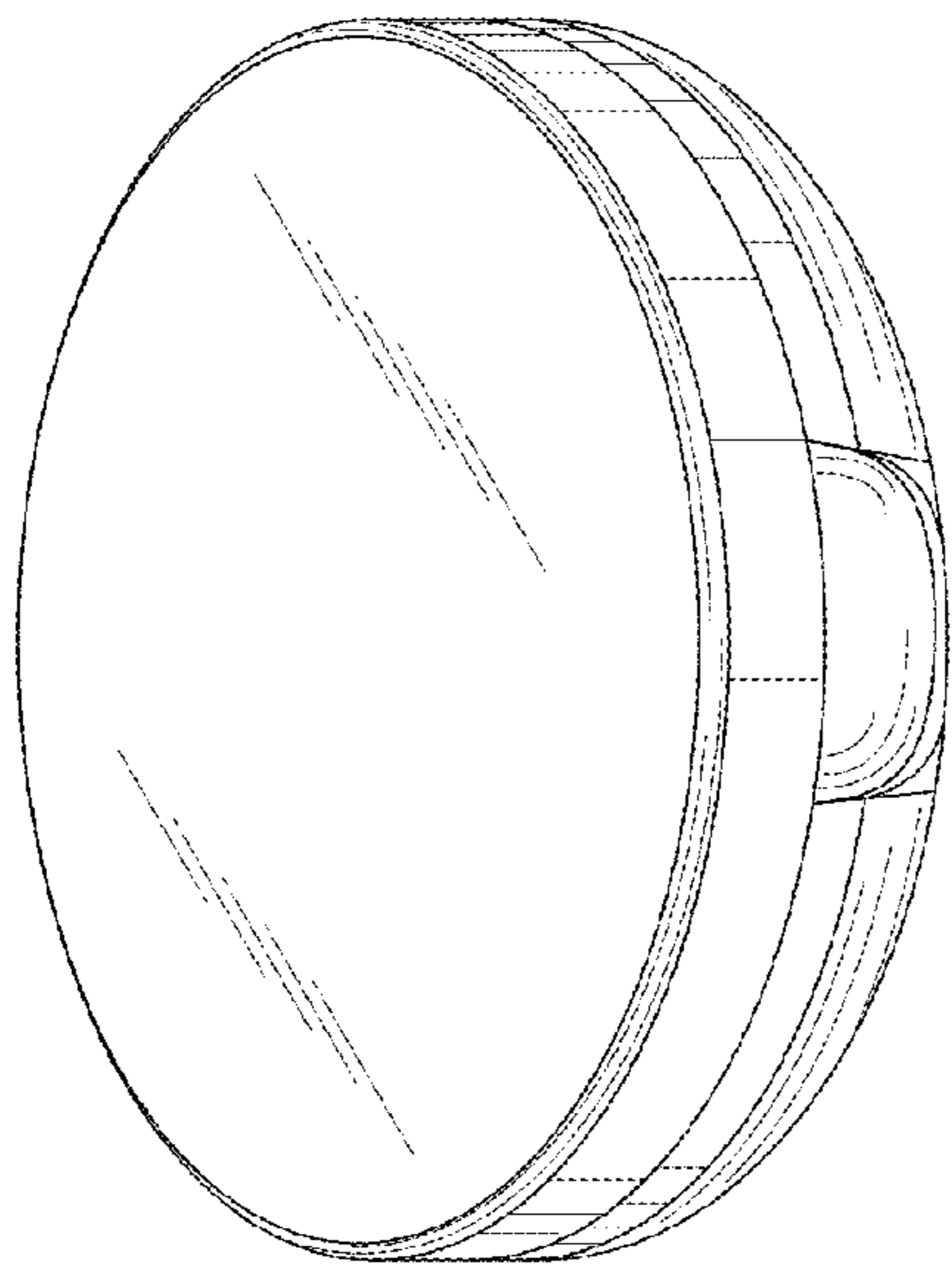


Fig.1

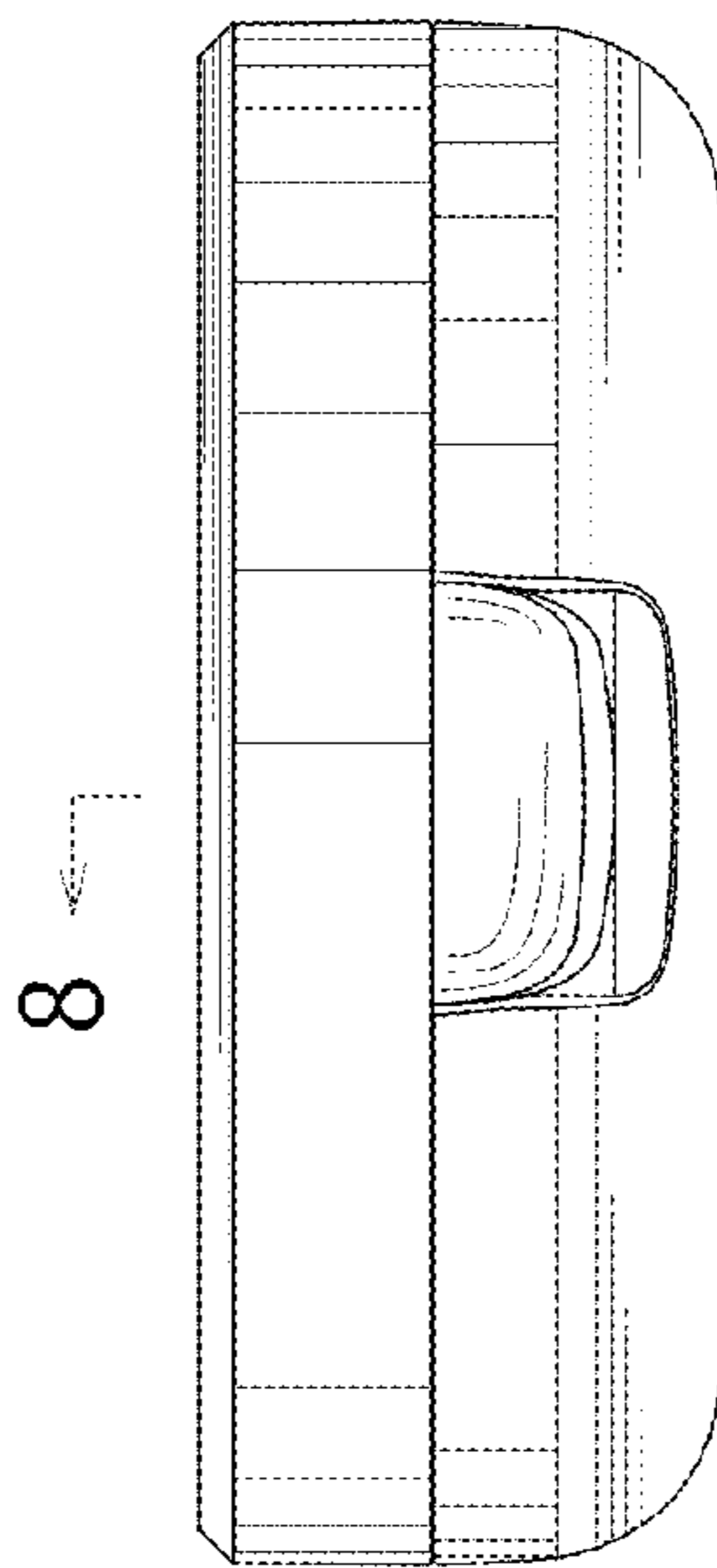


Fig.2

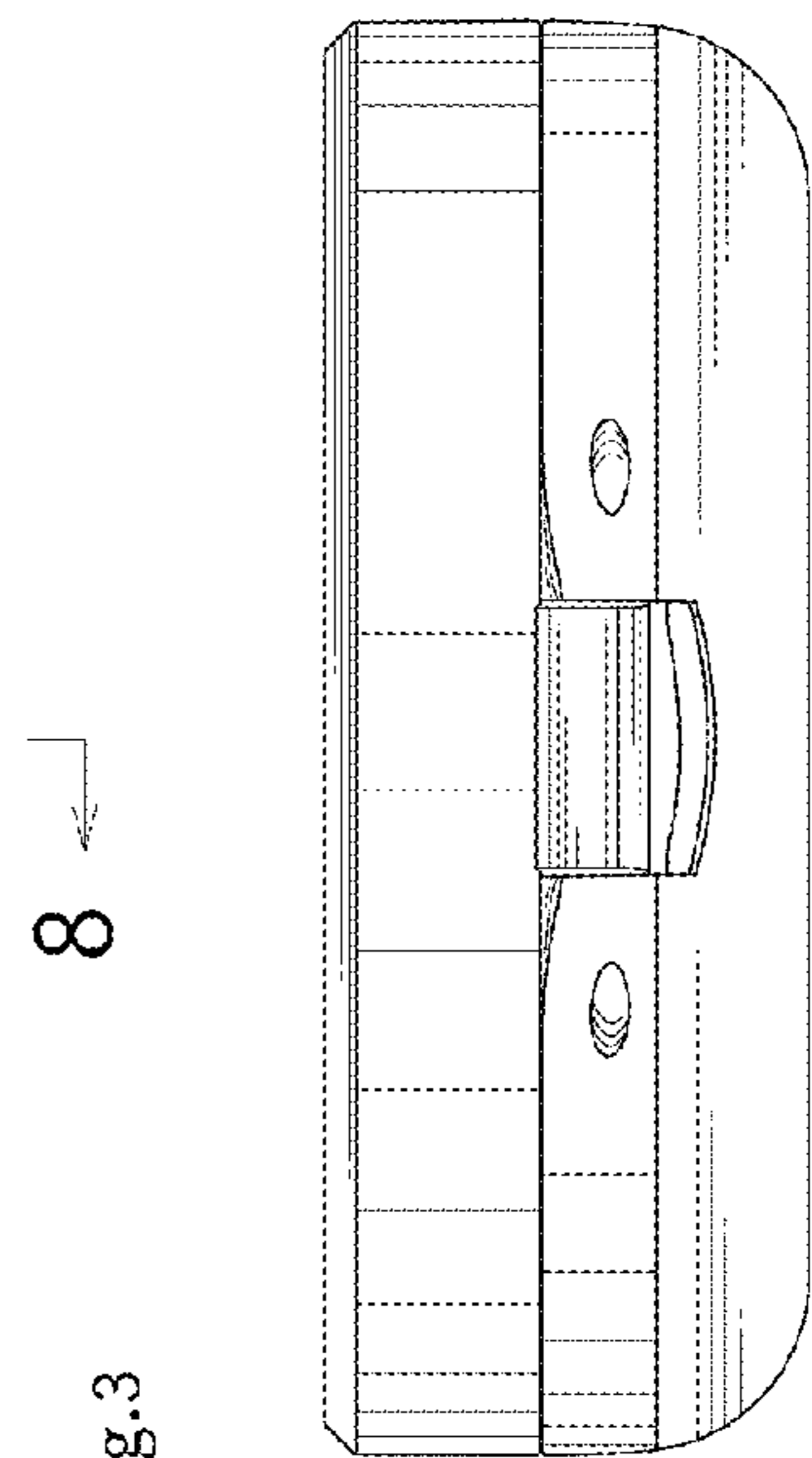


Fig.3

Fig.10

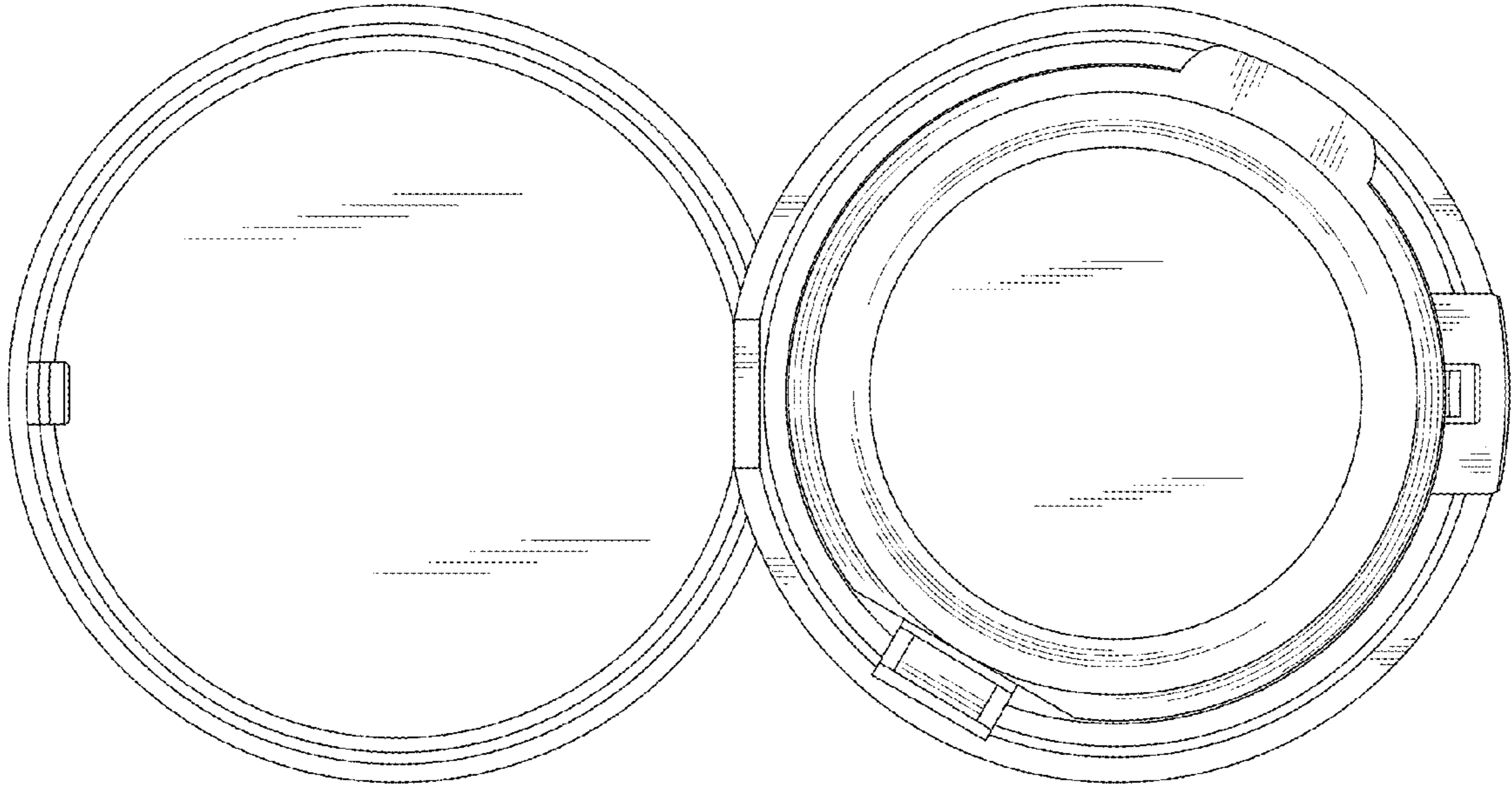


Fig.6

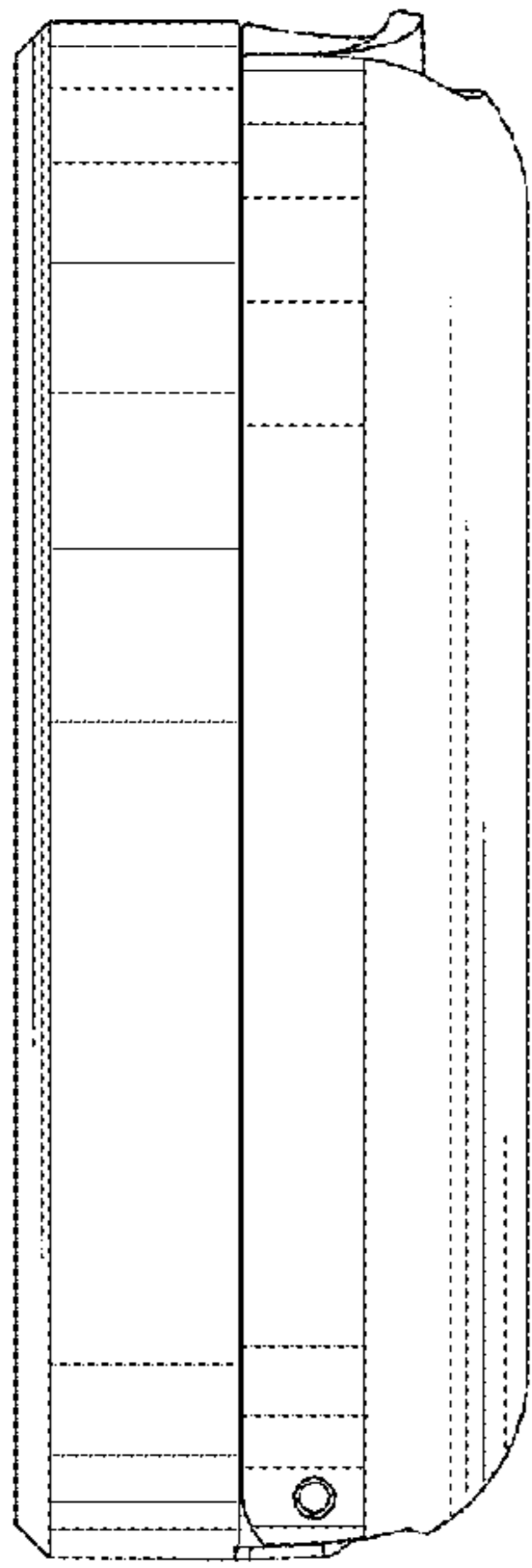


Fig.7

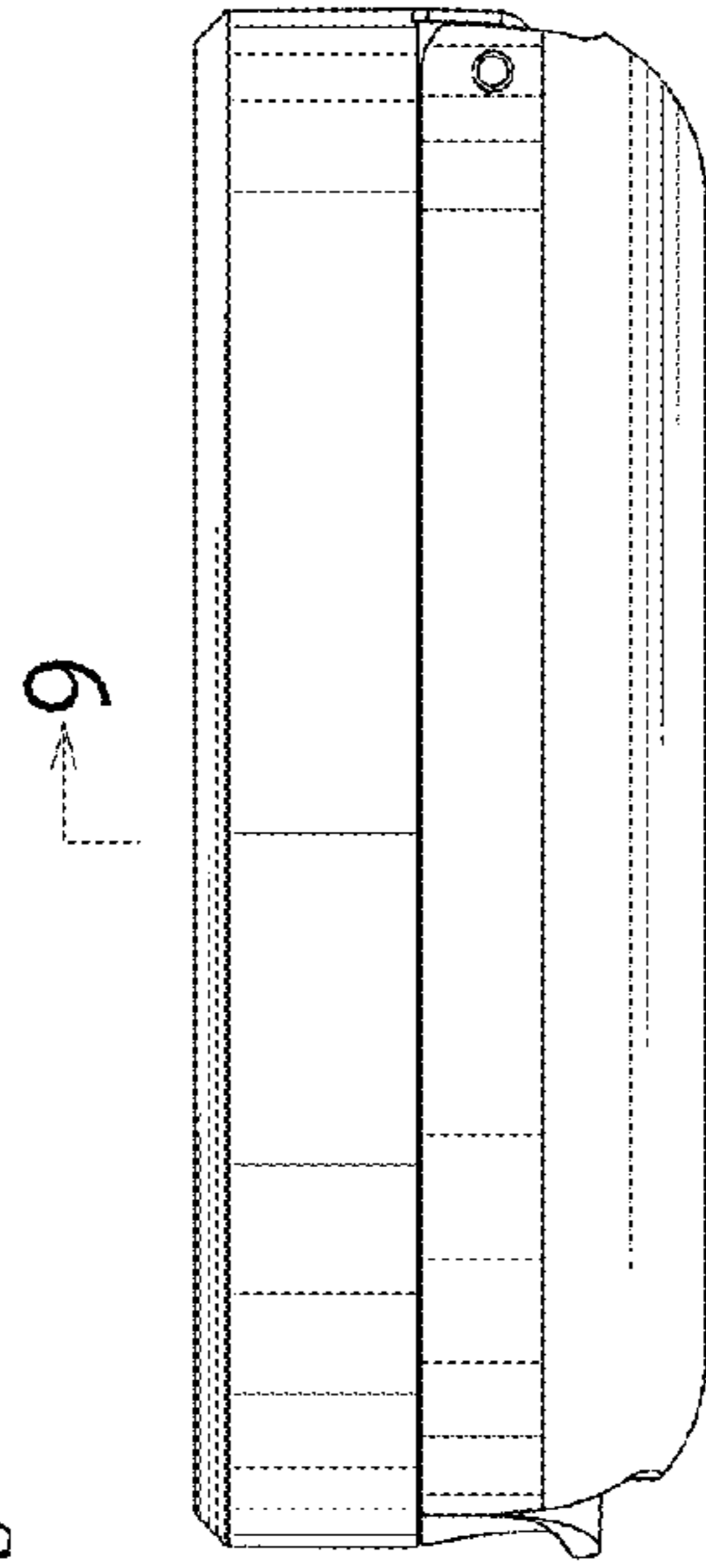


Fig.8

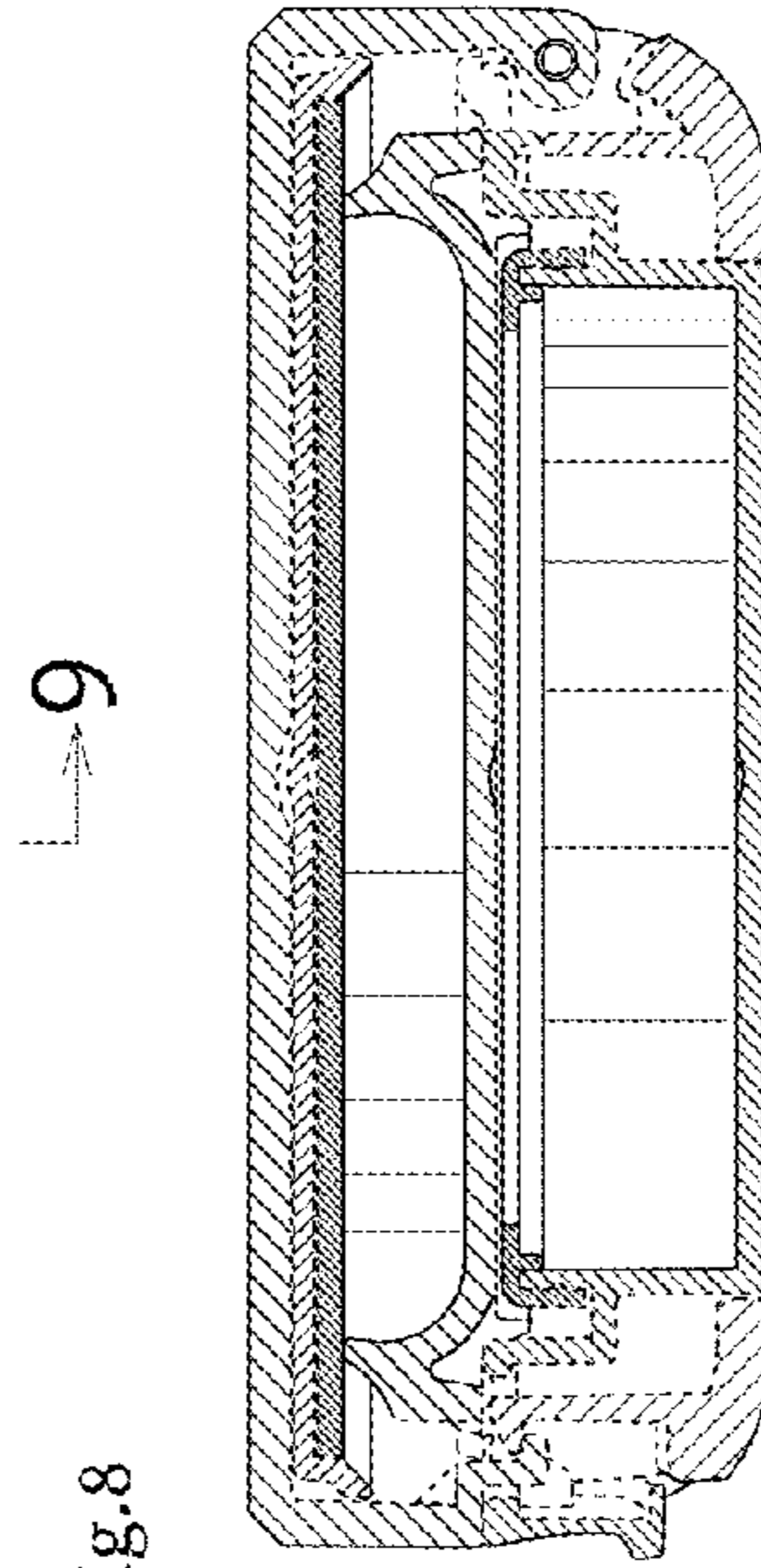
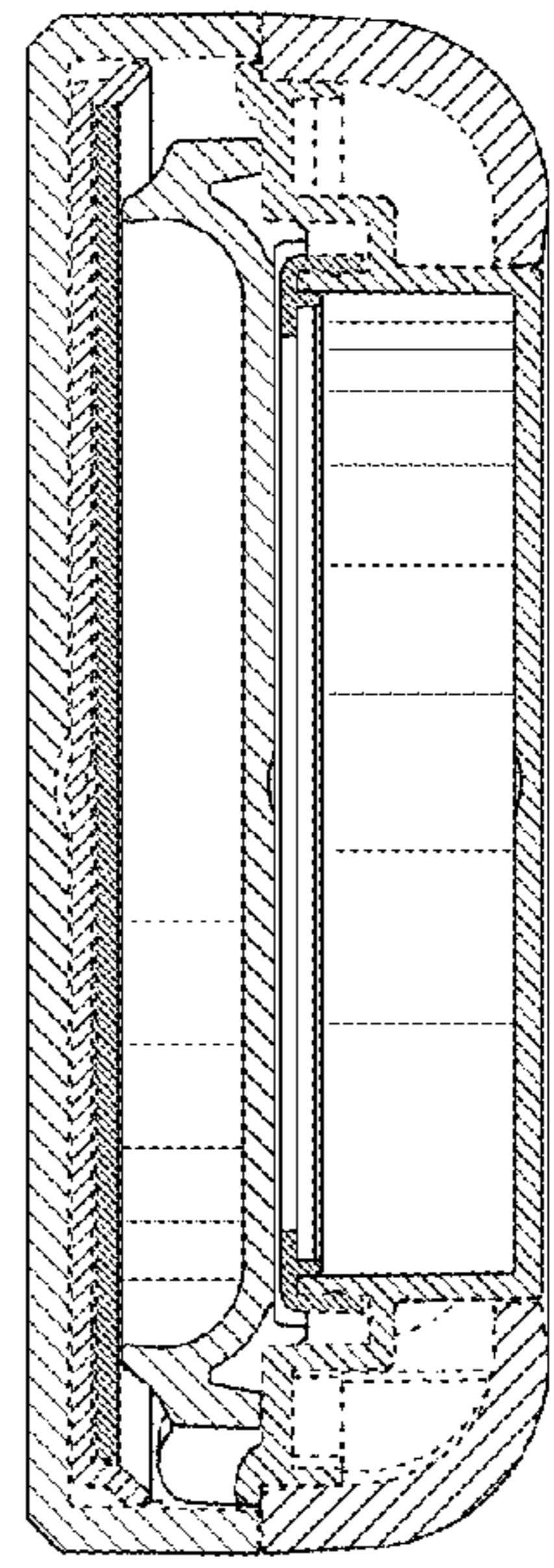


Fig.9



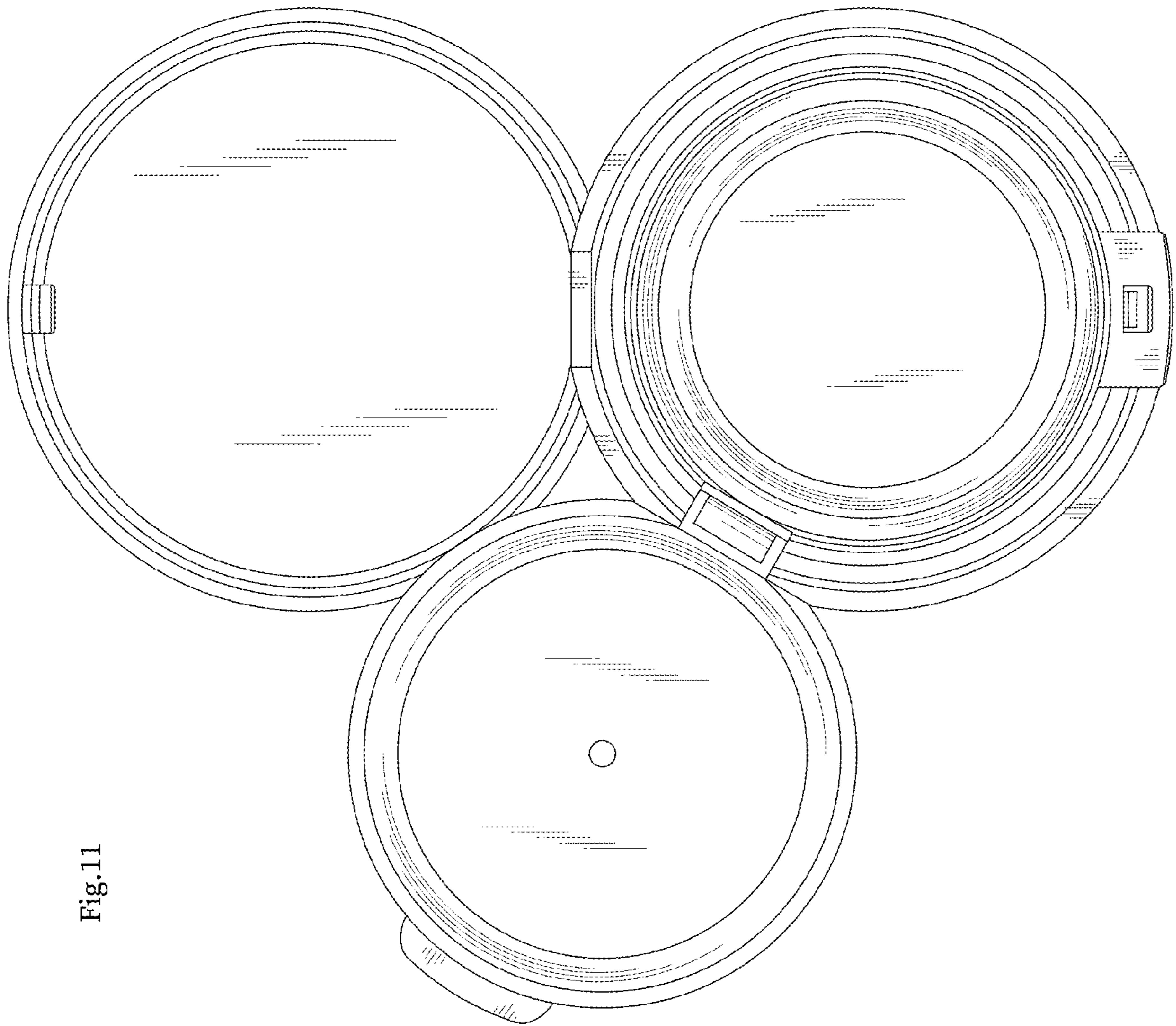


Fig.11

Fig.13

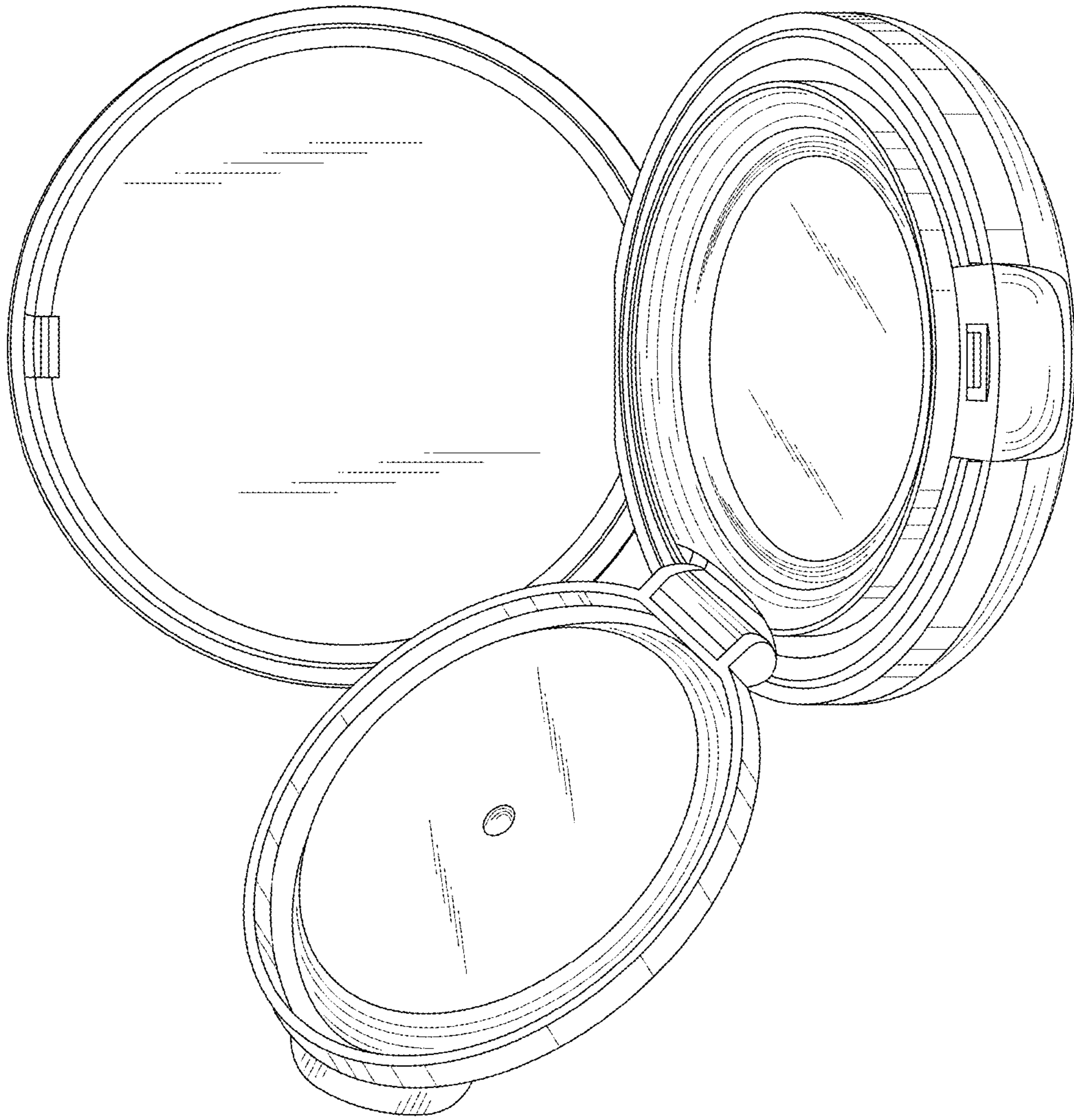


Fig.12

