

US00D898292S

(12) **United States Design Patent** (10) **Patent No.:** **US D898,292 S**
Groffsky et al. (45) **Date of Patent:** **** Oct. 6, 2020**

(54) **HOUSING FOR USE WITH A REFILL CARTRIDGE**

(71) Applicant: **ZGTL LLC**, New York, NY (US)

(72) Inventors: **Zachary Groffsky**, New York, NY (US); **Taylor Lane**, New York, NY (US); **Jochen R. Schaepers**, New York, NY (US); **Stuart H. Lee**, Forest Hills, NY (US)

(73) Assignee: **ZGTL LLC**, New York, NY (US)

(**) Term: **15 Years**

(21) Appl. No.: **29/632,443**

(22) Filed: **Jan. 8, 2018**

Related U.S. Application Data

(63) Continuation of application No. 15/793,185, filed on Oct. 25, 2017, now Pat. No. 10,278,473.

(51) **LOC (12) Cl.** **28-03**

(52) **U.S. Cl.**
USPC **D28/76**

(58) **Field of Classification Search**
USPC D28/73, 76, 77, 78, 82, 99; D9/435
CPC .. A45D 40/04; A45D 40/12; A45D 2034/005; A45D 2040/0031; A45D 34/041; B65D 83/0011

See application file for complete search history.

(56) **References Cited**

U.S. PATENT DOCUMENTS

D252,002 S * 6/1979 Martini D28/44
4,371,087 A * 2/1983 Saujet A45D 34/02 215/12.1
4,884,912 A 12/1989 Gueret
4,890,944 A 1/1990 Cousins et al.

5,697,531 A 12/1997 Fattori
5,738,123 A 4/1998 Szekely
5,947,621 A 9/1999 Szekely
5,984,553 A 11/1999 Piscopo et al.
6,276,857 B1 8/2001 Szekely
D654,812 S 2/2012 Wade
D698,089 S * 1/2014 Smith D28/76
D711,043 S * 8/2014 Cooper D28/38
D732,388 S 6/2015 Toh et al.
D741,173 S 10/2015 Toh et al.
9,210,985 B2 12/2015 Arwatz et al.
D767,389 S 9/2016 Toh et al.
2009/0090235 A1 * 4/2009 Brunn F42B 7/12 86/18
2012/0282007 A1 * 11/2012 Moskow A45D 40/24 401/89
2014/0270892 A1 9/2014 Linehan
2016/0157580 A1 6/2016 Crawford et al.
2017/0209896 A1 * 7/2017 Phipps B05C 17/0133

(Continued)

Primary Examiner — Lauren R Calve

(74) *Attorney, Agent, or Firm* — Carter, DeLuca & Farrell LLP

(57) **CLAIM**

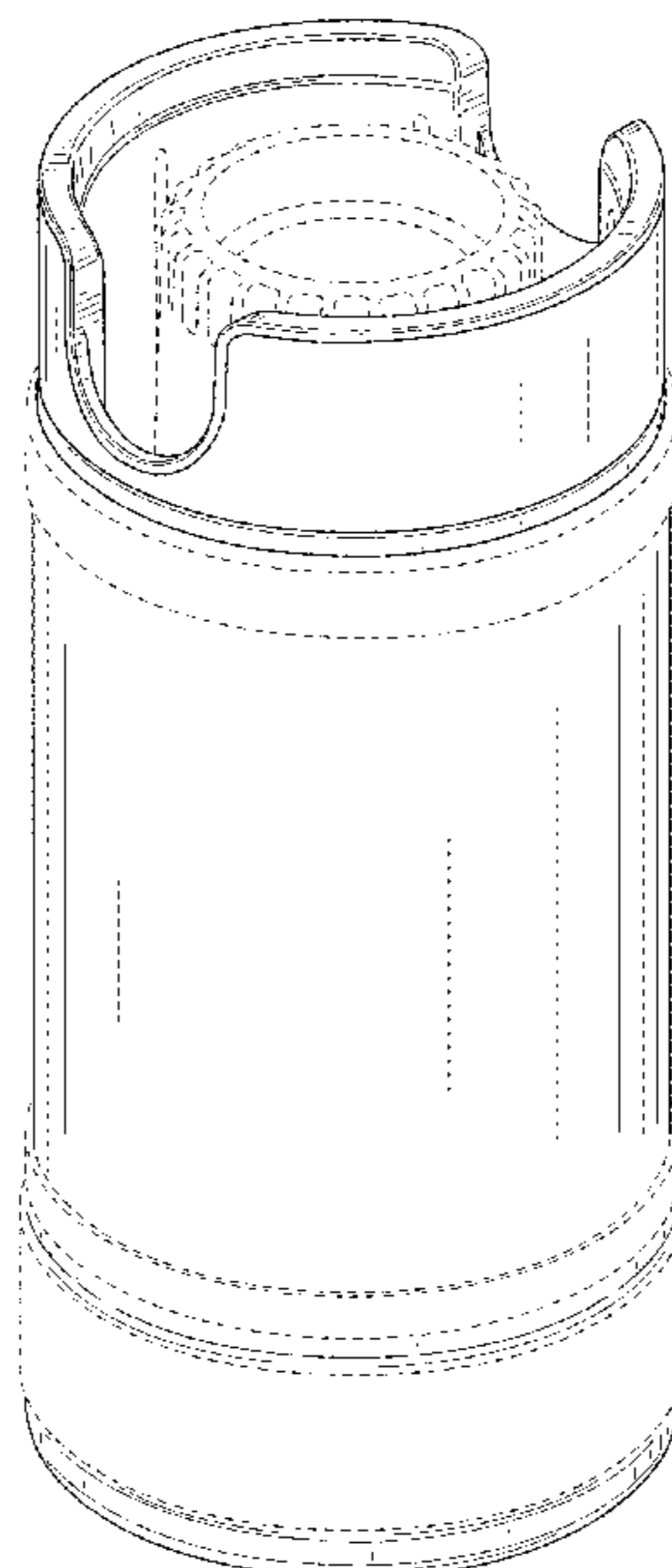
The ornamental design for a housing for use with a refill cartridge, as shown and described.

DESCRIPTION

FIG. 1 is a front perspective view of a housing for use with a refill cartridge in accordance with the present design; FIG. 2 is a right side elevational view thereof; FIG. 3 is a left side elevational view thereof; FIG. 4 is a front elevational view thereof; FIG. 5 is a rear elevational view thereof; FIG. 6 is a top view thereof; and, FIG. 7 is a bottom view thereof.

The broken lines shown in the drawings illustrate portions of the housing for use with a refill cartridge that form no part of the claimed design.

1 Claim, 7 Drawing Sheets



(56)

References Cited

U.S. PATENT DOCUMENTS

2018/0295968 A1* 10/2018 Groffsky A45D 40/04
2019/0152679 A1* 5/2019 Park B65D 43/02
2019/0246768 A1* 8/2019 Xu A45D 40/12
2019/0275827 A1* 9/2019 Nguyen B43K 5/1818
2020/0054110 A1* 2/2020 Wiesenthal A45D 40/14
2020/0085167 A1* 3/2020 Vacheron A45D 40/06

* cited by examiner

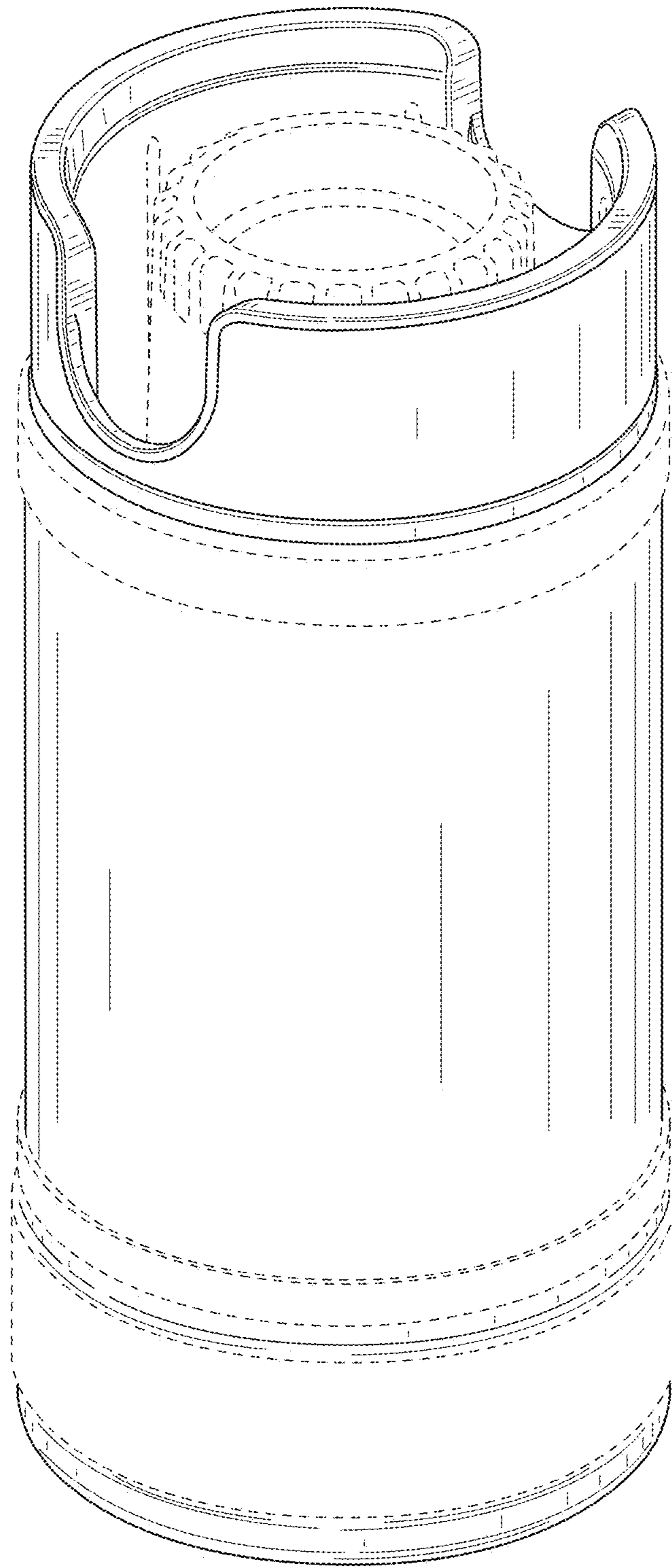


FIG. 1

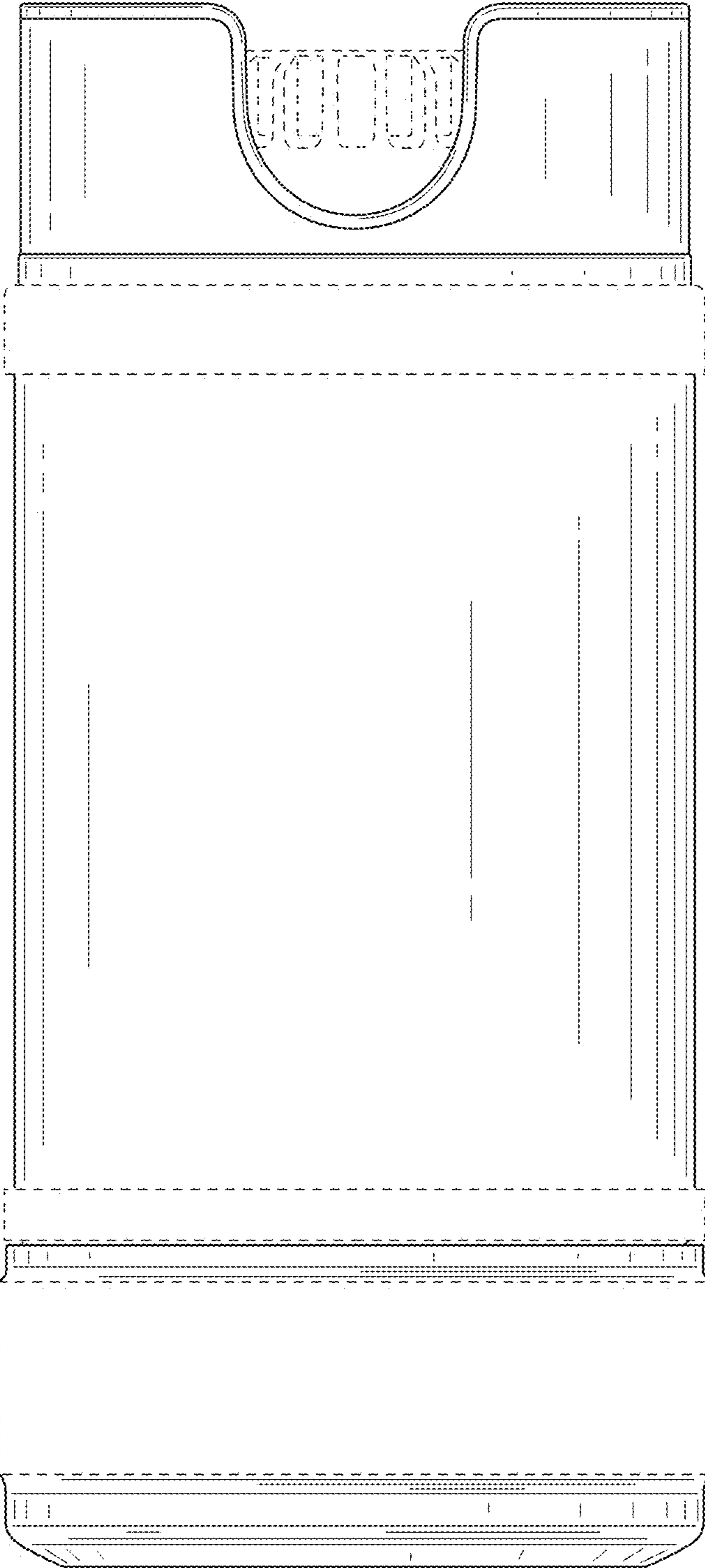


FIG. 2

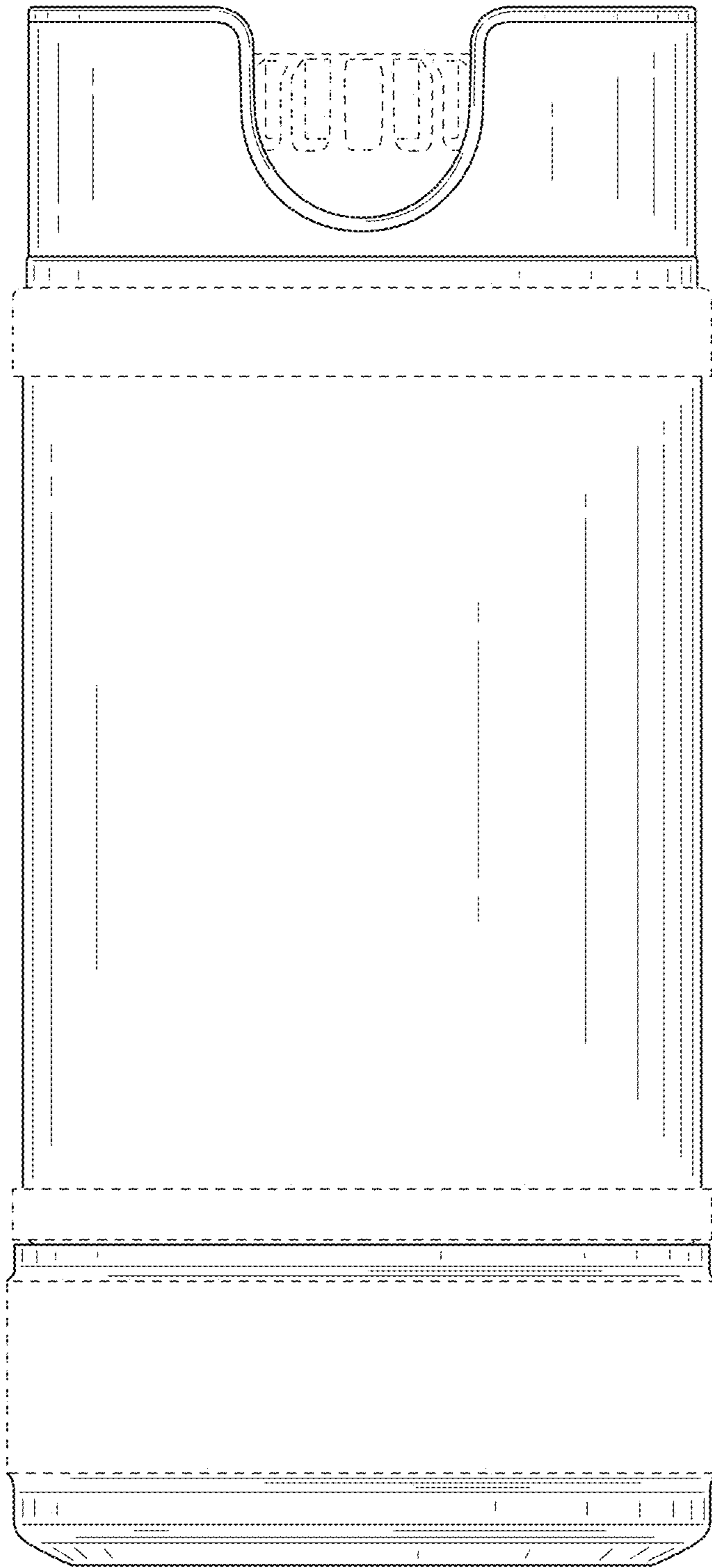


FIG. 3

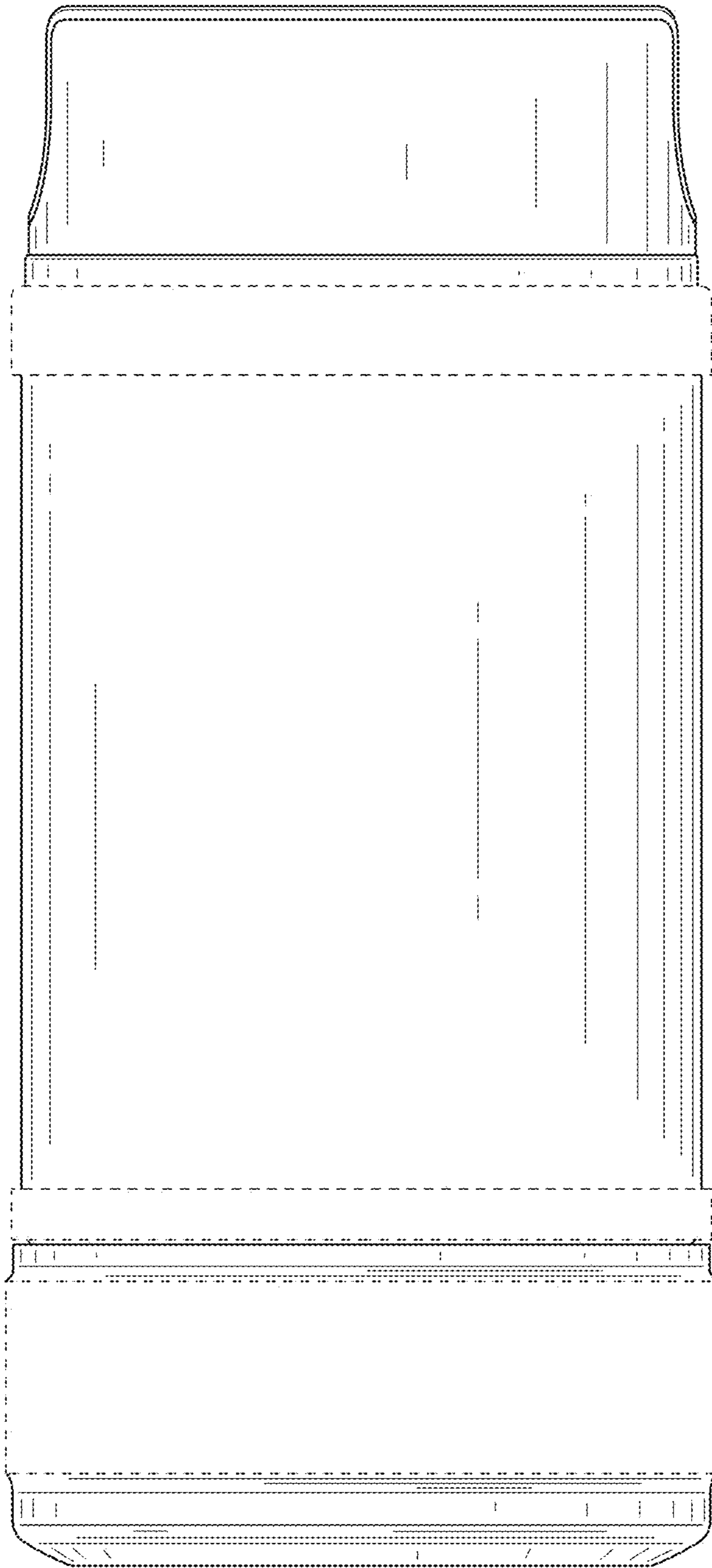


FIG. 4

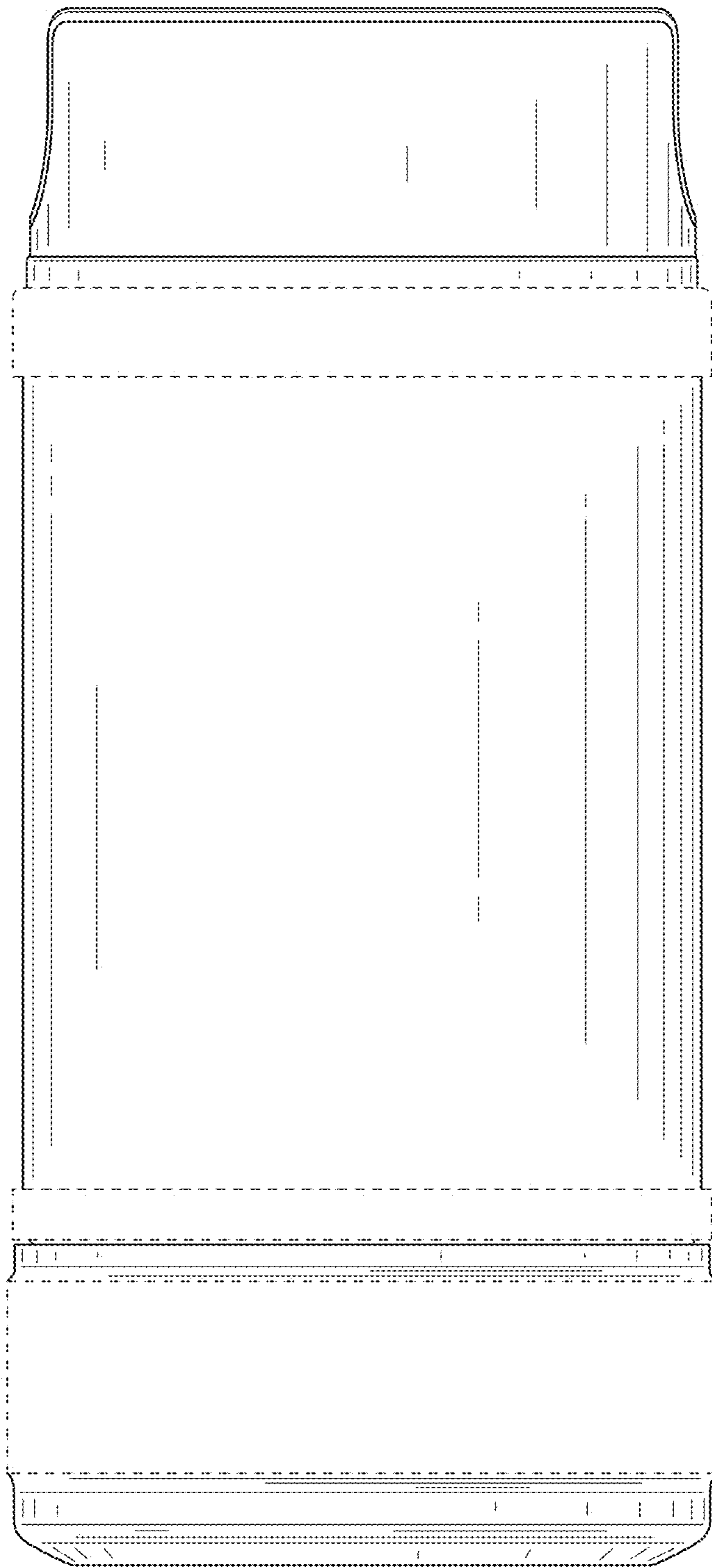


FIG. 5

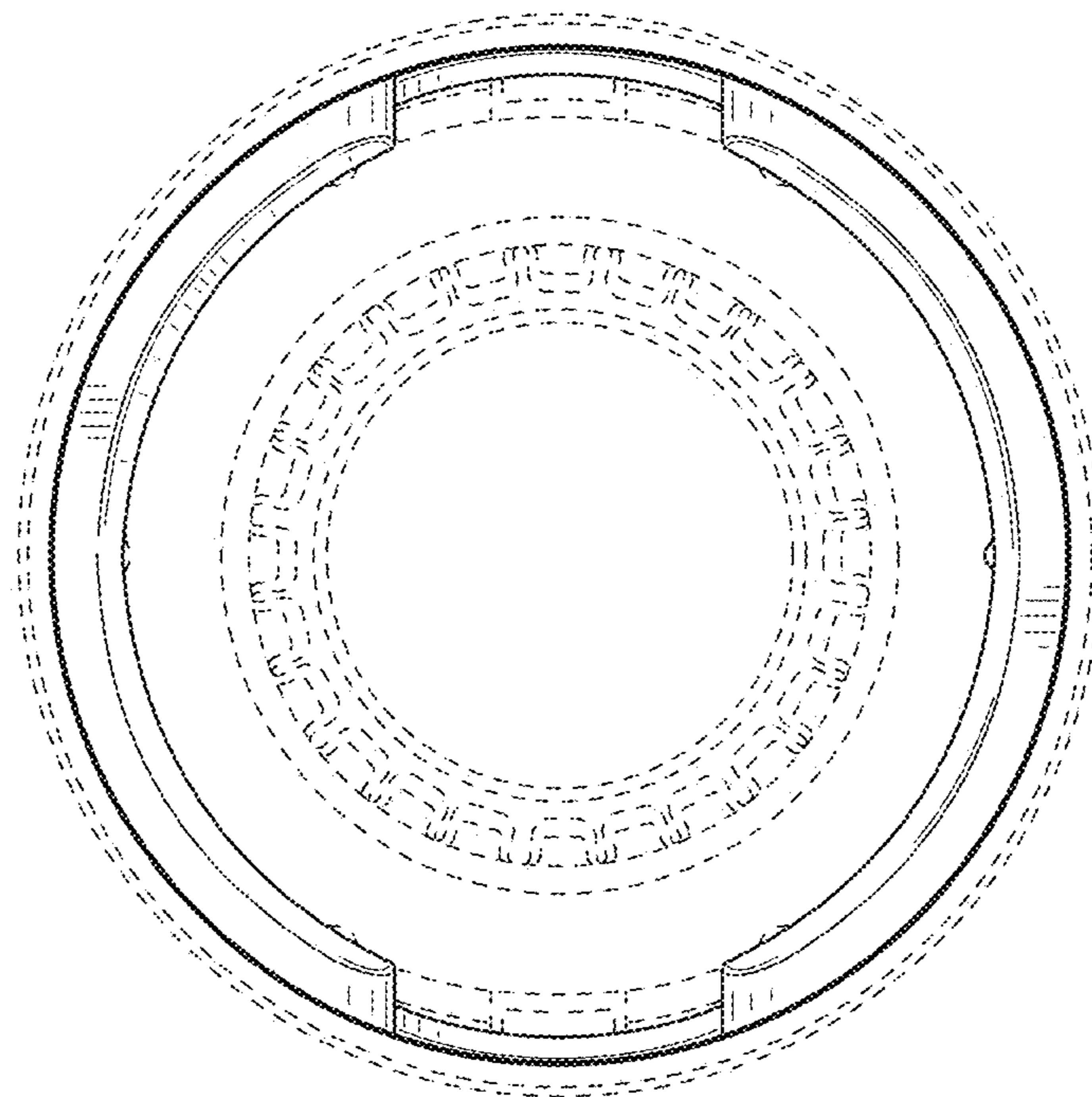


FIG. 6

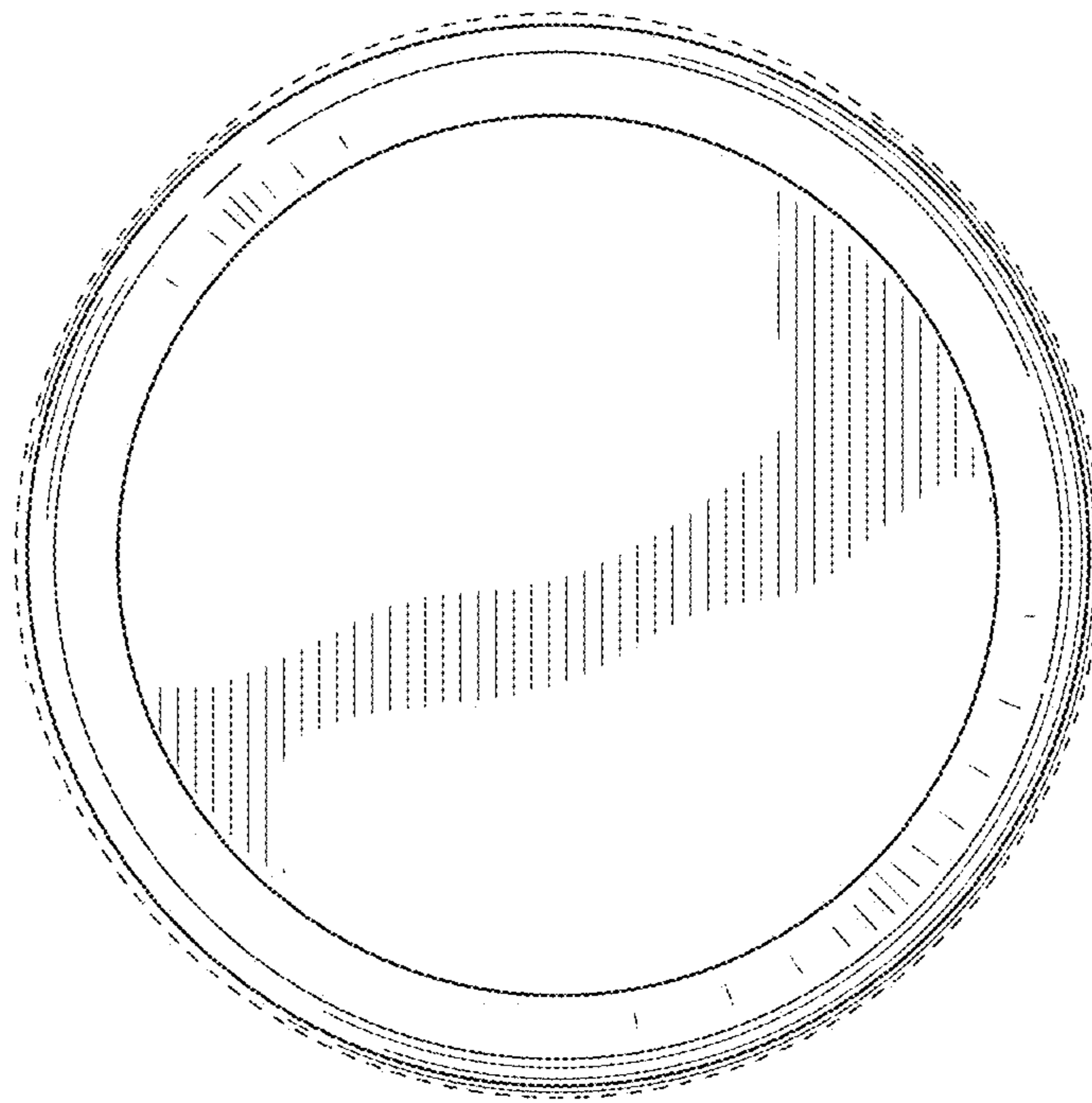


FIG. 7