

US00D898291S

(12) **United States Design Patent**
Taylor et al.

(10) **Patent No.:** **US D898,291 S**
(45) **Date of Patent:** **** Oct. 6, 2020**

(54) **MULTIFUNCTIONAL COSMETOLOGY TABLE**

(71) Applicants: **John Taylor**, Dracut, MA (US); **Fred Hein**, North Reading, MA (US)

(72) Inventors: **John Taylor**, Dracut, MA (US); **Fred Hein**, North Reading, MA (US)

(**) Term: **15 Years**

(21) Appl. No.: **29/665,511**

(22) Filed: **Oct. 4, 2018**

(51) **LOC (12) Cl.** **28-03**

(52) **U.S. Cl.**
USPC **D28/73**; D28/9; D6/675.1; D6/675.4

(58) **Field of Classification Search**
USPC D6/681.1-681.3, 677.1, 653.2, 682.2,
D6/655.18, 655.2, 675-675.4; D28/9, 10,
D28/73
CPC . A47F 5/04; A47F 7/0021; A47F 5/08; A45D
29/18; A45D 29/20; A45D 44/00; A45D
44/02

See application file for complete search history.

(56) **References Cited**

U.S. PATENT DOCUMENTS

2,112,669	A	3/1938	Halas	
2,375,643	A	5/1945	Germanotta	
D146,059	S *	12/1946	McCalla	D28/9
2,812,988	A	11/1957	Kohl	
3,203,746	A *	8/1965	Shell	A47B 51/00 312/201
D216,852	S *	3/1970	Farwick	D28/9
4,894,600	A	1/1990	Kearney	
4,898,281	A *	2/1990	Cherry	A45D 29/20 211/126.1
4,979,524	A *	12/1990	Anderson	A45D 19/00 132/202
D381,123	S *	7/1997	Giedd	D19/103
D395,182	S	6/1998	Singleton	

5,787,903	A *	8/1998	Blackshear	A45D 29/00 132/73
5,819,960	A	10/1998	Bonazza	
D408,172	S *	4/1999	Nobili	D6/682.2
6,035,857	A *	3/2000	Hartelius	A45D 29/20 132/73
D437,711	S *	2/2001	Berg	D28/73
6,349,729	B1	2/2002	Meyer et al.	
D482,212	S *	11/2003	Nakaoka	D6/405
D502,786	S *	3/2005	Cheung	D28/20

(Continued)

OTHER PUBLICATIONS

9 Best Hair Trolleys for Salons, updated Dec. 30, 2019, 1 page, www.heavy.com, downloaded Apr. 17, 2020.*

Primary Examiner — Jennifer Rivard

(74) Attorney, Agent, or Firm — Hsuanyeh Law Group, PC

(57) **CLAIM**

The ornamental design for the a multifunctional cosmetology table, as shown and described.

DESCRIPTION

FIG. 1 is a perspective view of our multifunctional cosmetology table;

FIG. 2 is a front elevational view of our multifunctional cosmetology table as shown in FIG. 1;

FIG. 3 is a rear elevational view of our multifunctional cosmetology table as shown in FIG. 1;

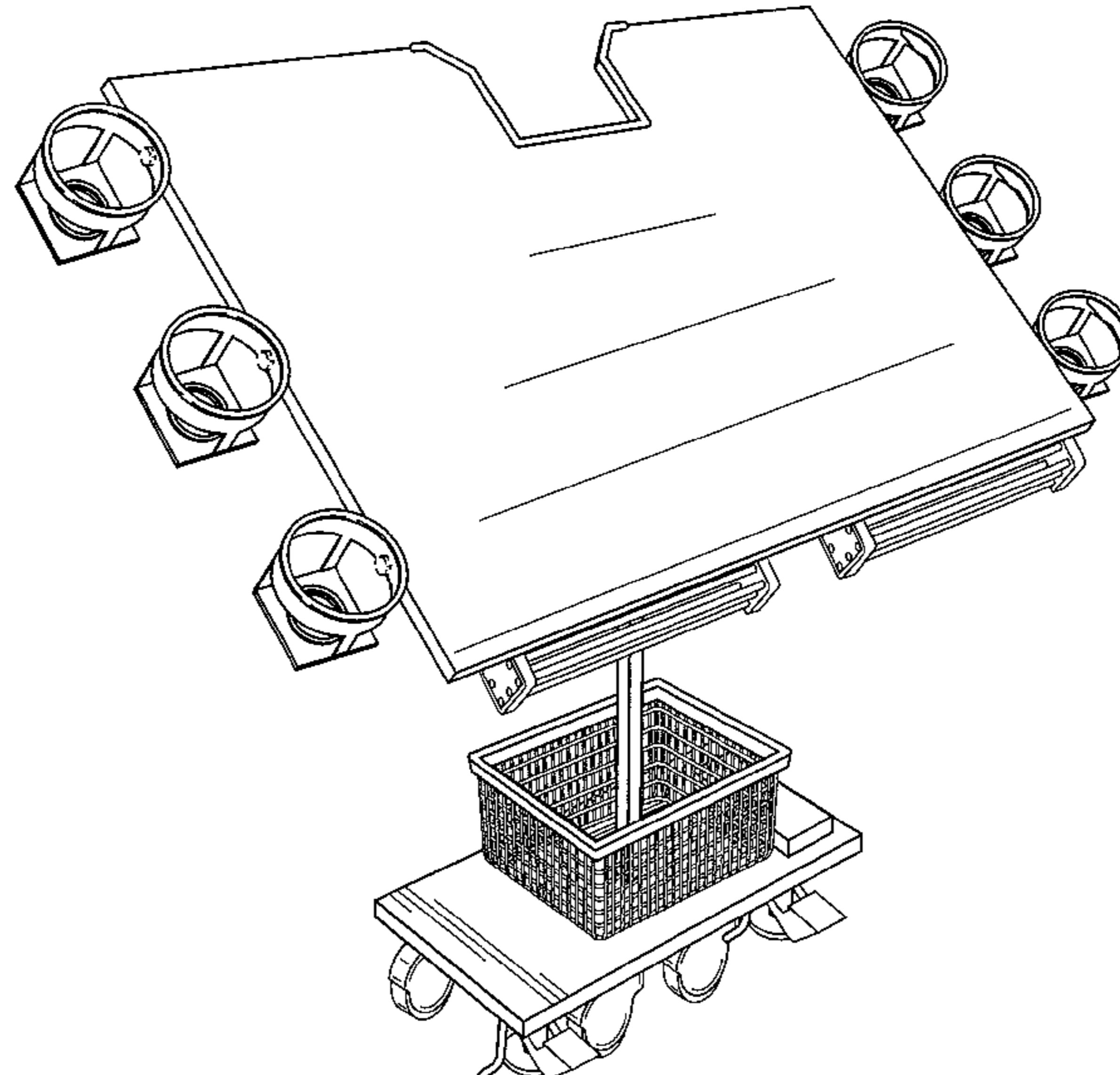
FIG. 4 is a right side elevational view of our multifunctional cosmetology table as shown in FIG. 1;

FIG. 5 is a left side elevational view of our multifunctional cosmetology table as shown in FIG. 1;

FIG. 6 is a top plan view of our multifunctional cosmetology table as shown in FIG. 1; and,

FIG. 7 is a bottom plan view of our multifunctional cosmetology table as shown in FIG. 1.

1 Claim, 7 Drawing Sheets



(56)

References Cited

U.S. PATENT DOCUMENTS

7,159,728 B2 * 1/2007 Smith A45D 44/14
211/115
D628,742 S * 12/2010 Hsu D14/307
8,770,678 B2 7/2014 Ton
D824,597 S * 7/2018 Cardis D28/76
D827,341 S * 9/2018 Hertaus D6/680.3
D855,969 S * 8/2019 Jackson D3/28
2007/0221813 A1 9/2007 Blum et al.
2011/0030721 A1 * 2/2011 Mendoza A45C 5/065
132/287
2018/0235342 A1 * 8/2018 Wesley A45D 29/18
2020/0107629 A1 * 4/2020 Davis A45D 44/14

* cited by examiner

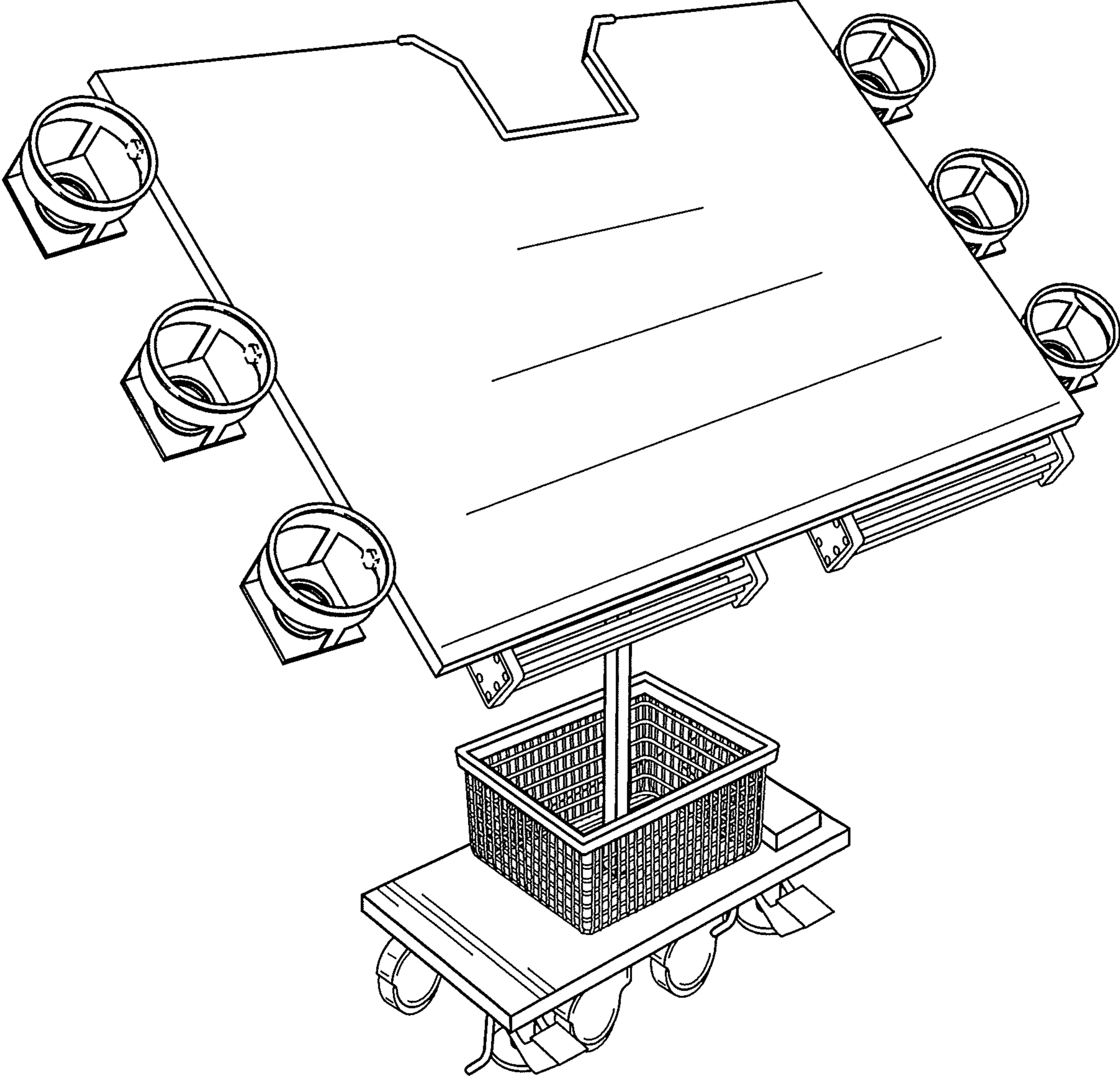


FIG. 1

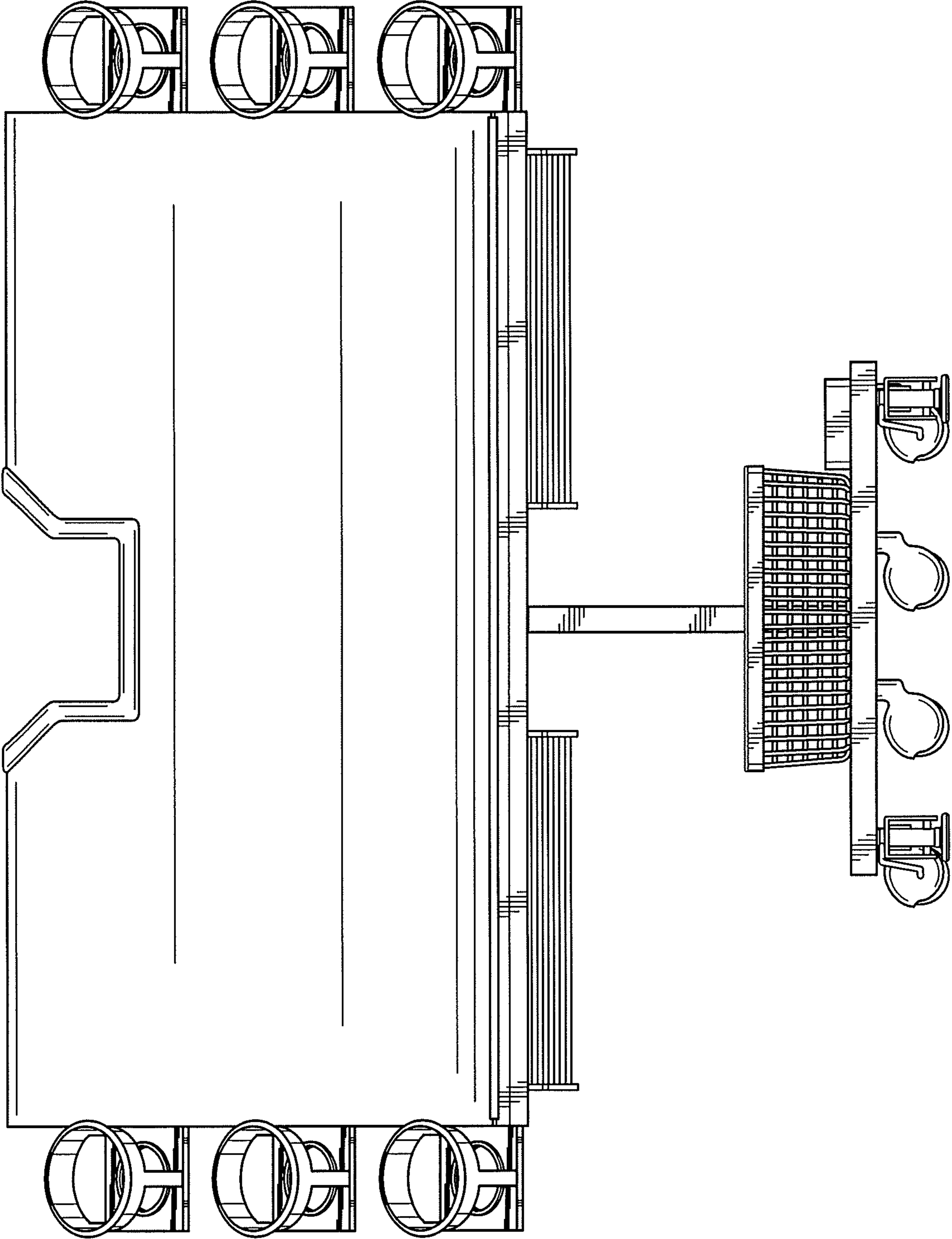


FIG. 2

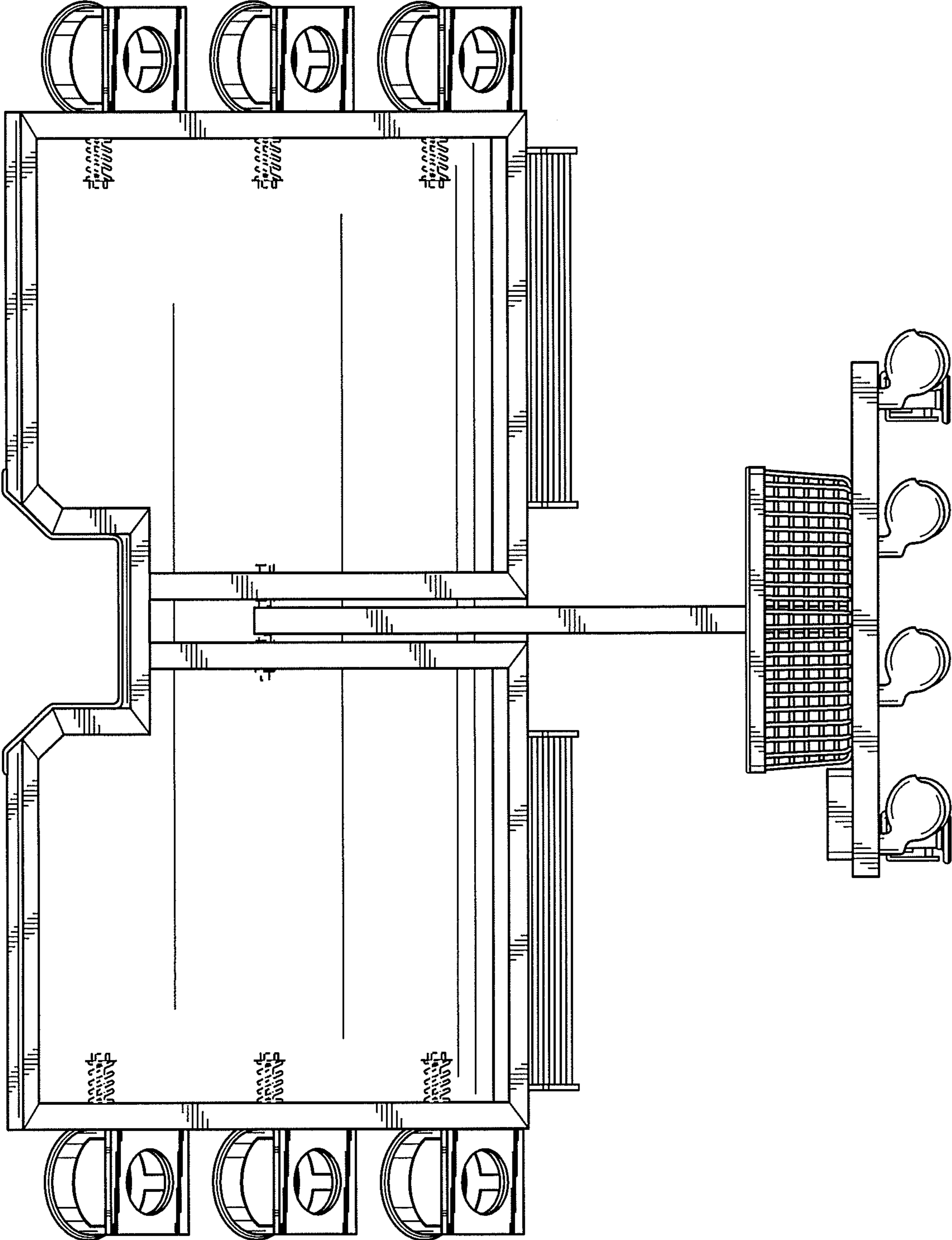


FIG. 3

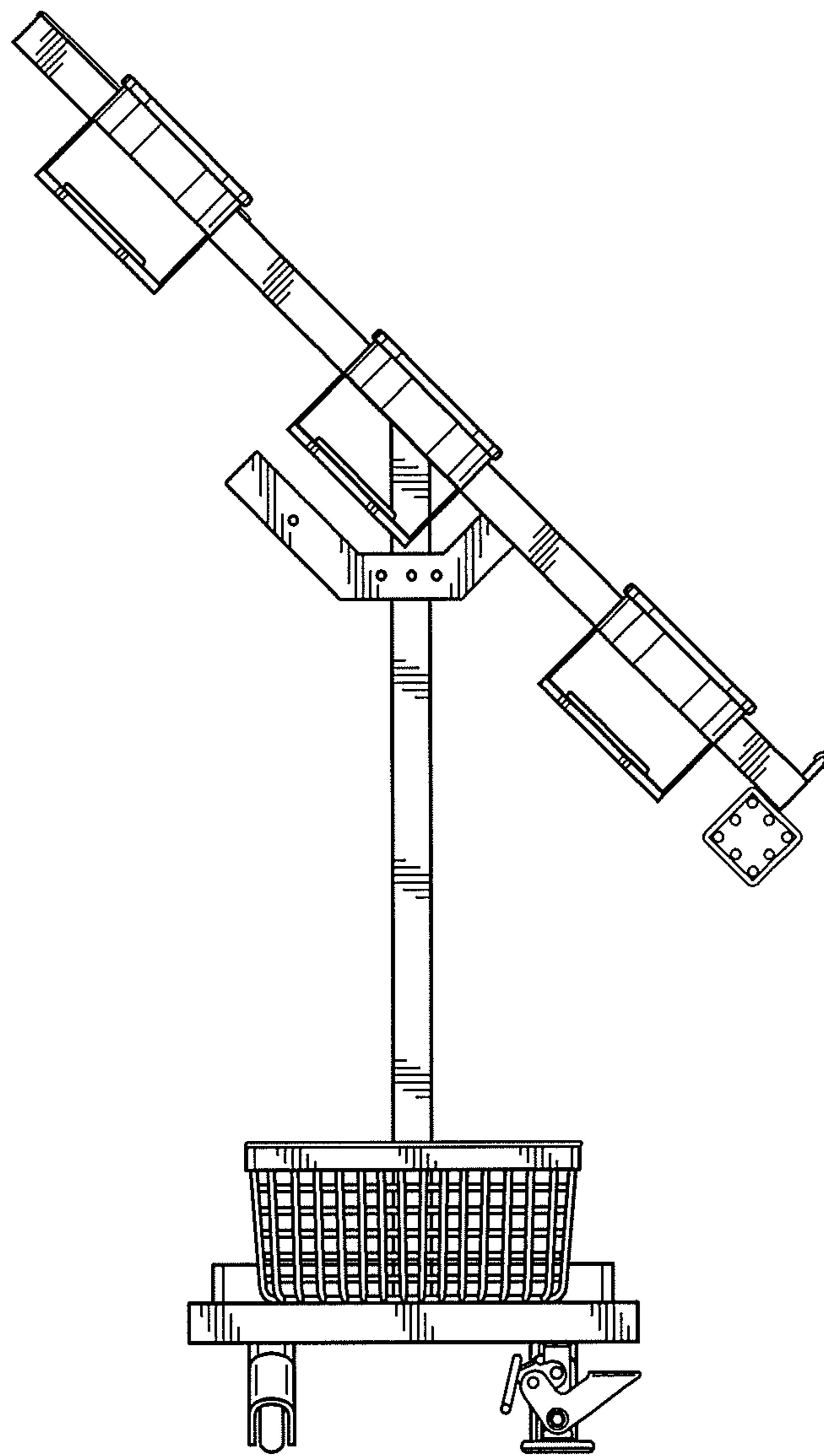


FIG. 4

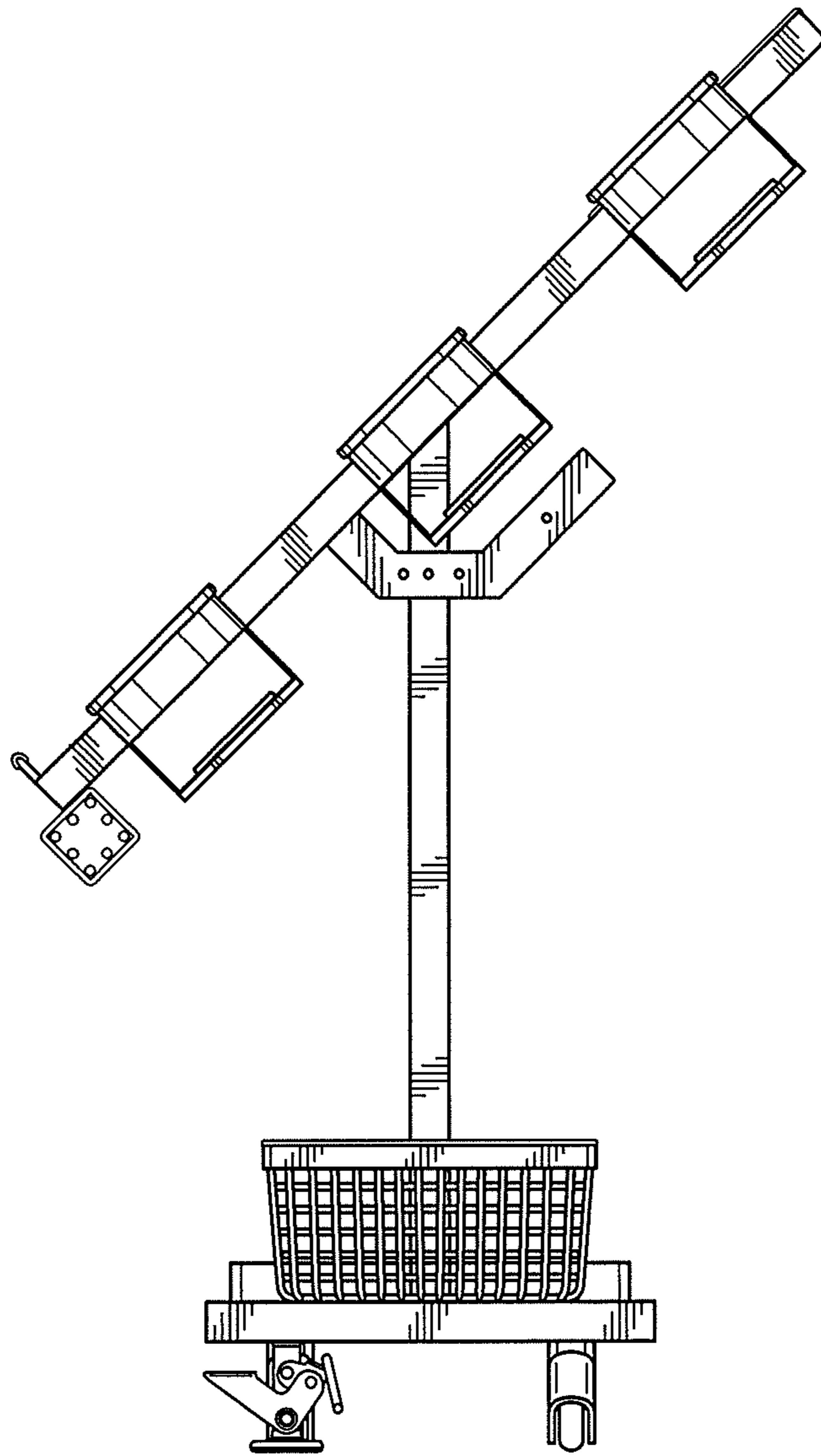


FIG. 5

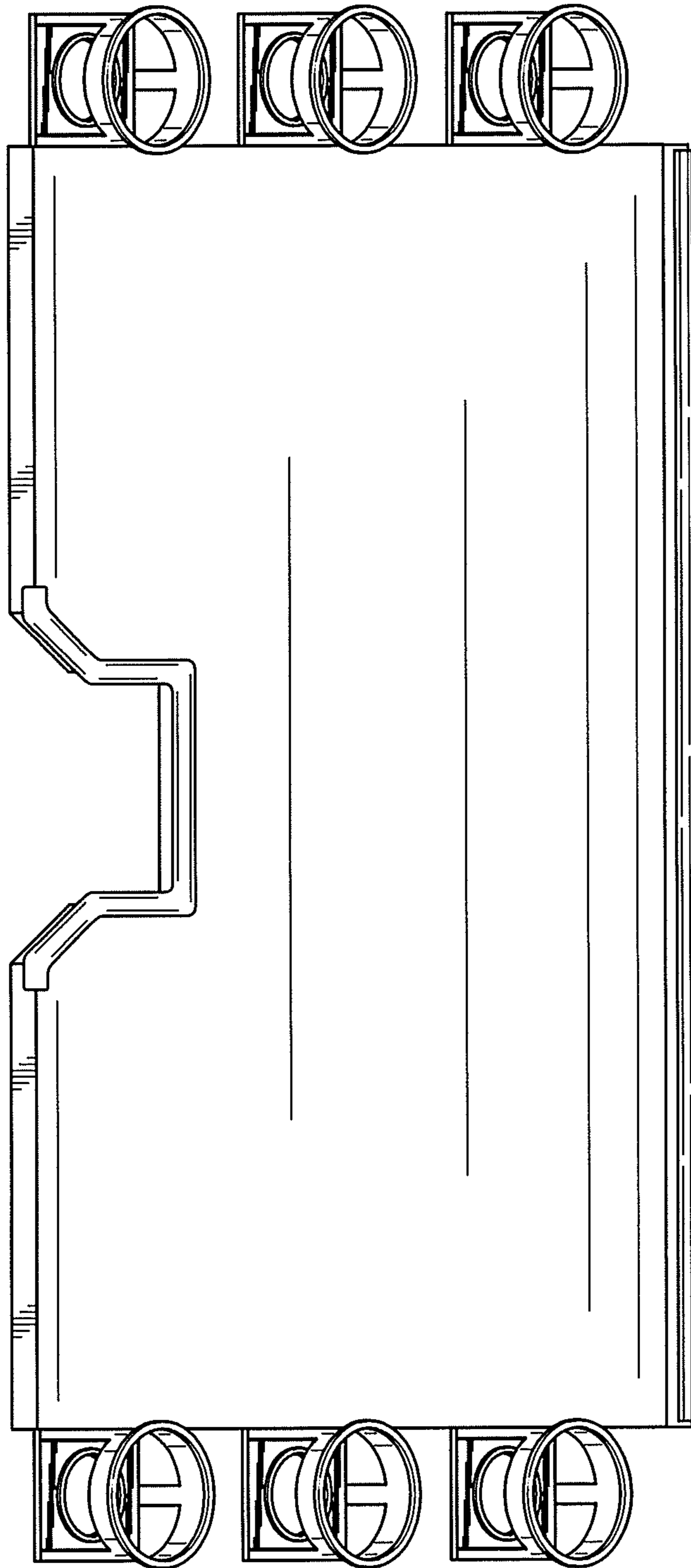


FIG. 6

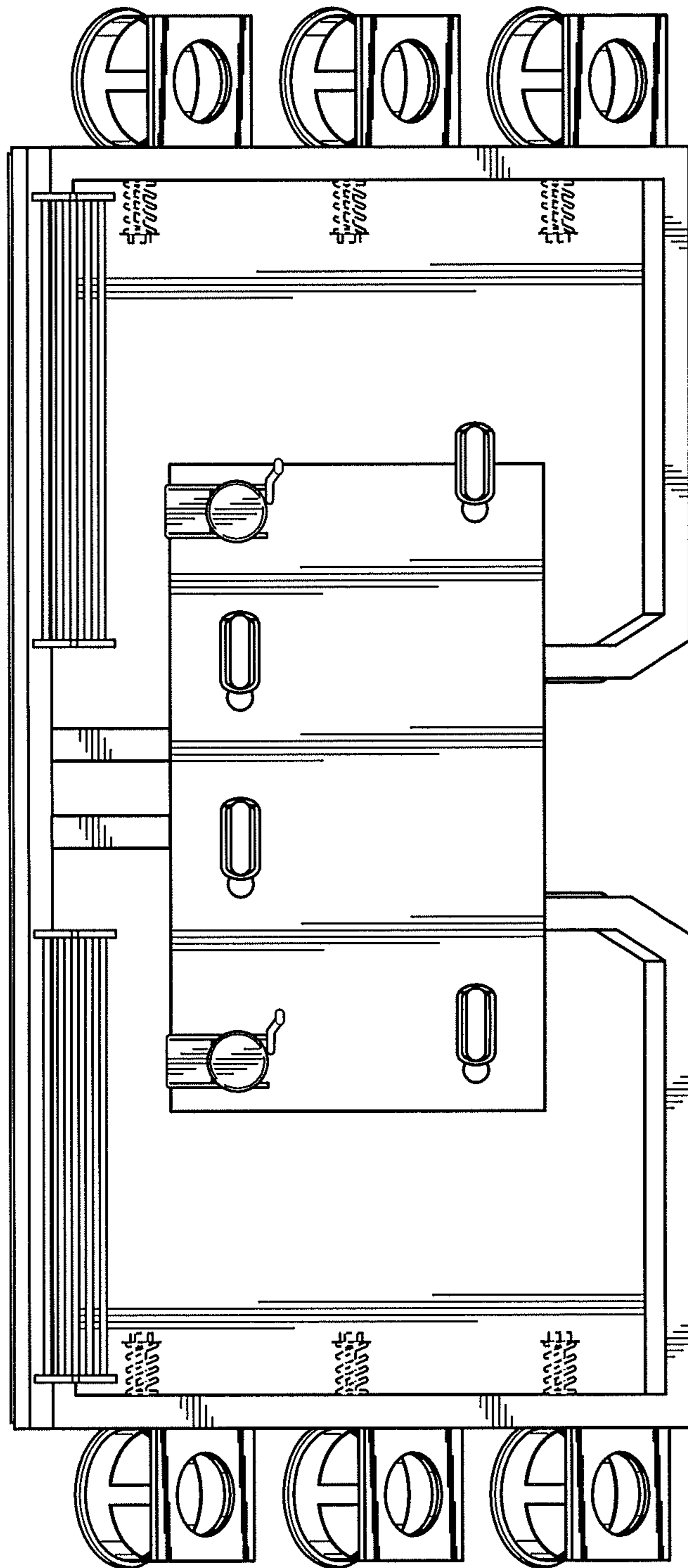


FIG. 7