

US00D898286S

(12) **United States Design Patent** (10) **Patent No.:** **US D898,286 S**
Khubani et al. (45) **Date of Patent:** **** Oct. 6, 2020**

(54) **HAIR REMOVAL DEVICE**
(71) Applicant: **Church & Dwight Co., Inc.**, Ewing, NJ (US)
(72) Inventors: **Anand Khubani**, Morristown, NJ (US); **David Stowers**, Morristown, NJ (US); **LoriAnn Lombardo**, East Hanover, NJ (US); **Eric Langberg**, Milford, PA (US)

6,272,752 B1 8/2001 Pino
6,502,309 B2 1/2003 De Vries et al.
D485,013 S * 1/2004 Leventhal D28/52
D488,260 S * 4/2004 Khubani D28/53
D497,035 S * 10/2004 Khubani D28/53
D503,495 S 3/2005 Maeda
D513,092 S 12/2005 Ajootian
(Continued)

(73) Assignee: **Church & Dwight Co., Inc.**, Ewing, NJ (US)

CN 304416637 12/2017
CN 304446416 1/2018
(Continued)

(**) Term: **15 Years**

FOREIGN PATENT DOCUMENTS

(21) Appl. No.: **29/651,716**

(22) Filed: **Jan. 29, 2019**

(51) **LOC (12) Cl.** **28-03**

(52) **U.S. Cl.**
USPC **D28/51; D28/53**

(58) **Field of Classification Search**
USPC D28/49-54
CPC B26B 19/384-3893; B26B 19/22; B26B 19/26-265; B26B 19/38-3833; B26B 19/12-18; B26B 19/00-107
See application file for complete search history.

OTHER PUBLICATIONS
Finishing Touch Flawless Brows, www.amazon.com, p. 1 (Year:2018).
(Continued)

Primary Examiner — Jennifer Rivard
(74) *Attorney, Agent, or Firm* — Womble Bond Dickinson (US) LLP

(57) **CLAIM**
The ornamental design for a hair removal device, as shown and described.

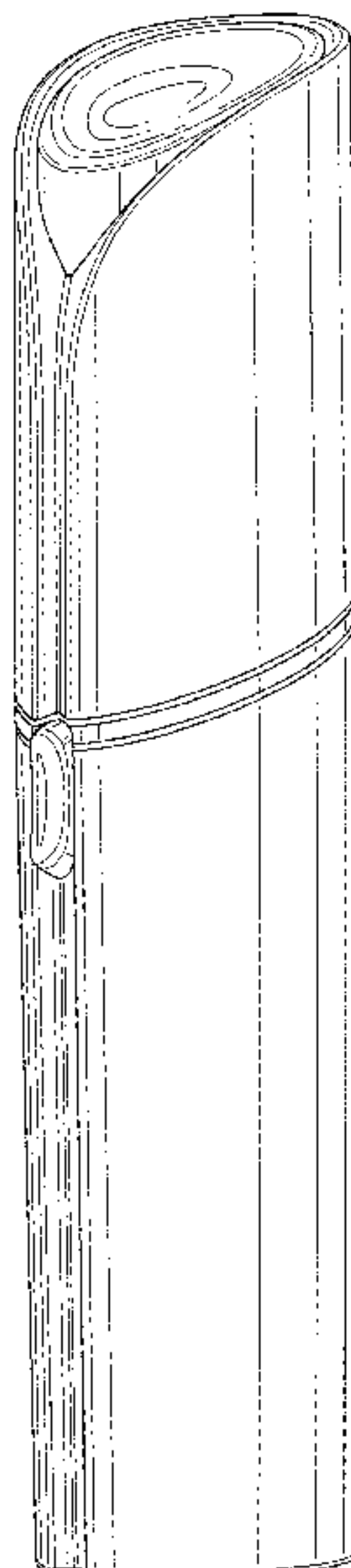
(56) **References Cited**
U.S. PATENT DOCUMENTS

3,116,551 A 1/1964 Anton
D255,166 S 5/1980 Ayukawa et al.
4,332,321 A 6/1982 Wratschko
D279,930 S 7/1985 George
D305,162 S 12/1989 Mockovak
4,912,845 A 4/1990 Inoue
5,012,576 A 5/1991 Johannesson
5,135,406 A 8/1992 Ishikawa
D368,984 S 4/1996 Nakashima et al.
D400,303 S 10/1998 Tanaka et al.
D424,746 S 5/2000 Lee

DESCRIPTION

FIG. 1 is a front perspective view of a hair removal device of the present invention showing my new design;
FIG. 2 is a front side elevation view thereof;
FIG. 3 is a back side elevation view thereof;
FIG. 4 is a side elevation view thereof;
FIG. 5 is another side elevation view thereof
FIG. 6 is a top plan view thereof; and,
FIG. 7 is a bottom plan view thereof.
The broken lines illustrate portions of the hair removal device and form no part of the claimed design.

1 Claim, 6 Drawing Sheets



(56)

References Cited

U.S. PATENT DOCUMENTS

D561,941 S 2/2008 Khubani
 7,497,218 B2* 3/2009 Gueret A45D 2/48
 132/217
 7,669,605 B2* 3/2010 Cho A45D 2/48
 132/217
 D617,050 S 6/2010 Lou
 D617,051 S 6/2010 Pires et al.
 D632,014 S 2/2011 Lee
 D634,067 S 3/2011 Stowers et al.
 D634,068 S 3/2011 Stowers et al.
 D637,759 S 5/2011 Byun
 D652,990 S 1/2012 Strickland
 D663,483 S* 7/2012 Lee D28/76
 D673,325 S 12/2012 Martines
 D674,144 S 1/2013 Yamamoto et al.
 D674,145 S 1/2013 Ino
 D674,558 S 1/2013 Ino
 D675,377 S 1/2013 Boulanger
 D675,778 S 2/2013 Vetu
 D675,779 S 2/2013 Vetu et al.
 8,563,904 B2* 10/2013 Cho H05B 1/0252
 219/494
 D695,962 S 12/2013 Prat-Pfister et al.
 D696,461 S 12/2013 Prat-Pfister et al.
 D698,491 S 1/2014 Ellison et al.
 D701,346 S 3/2014 Hefetz et al.
 D704,066 S 5/2014 De Lima Paschoal et al.
 D728,159 S 4/2015 Szymanski
 D757,363 S 5/2016 Sugiyama
 D758,015 S 5/2016 Prat-Pfister
 D758,017 S 5/2016 Smith
 D758,663 S 6/2016 Van Maanen
 D758,664 S 6/2016 Van Maanen
 D776,877 S 1/2017 Zadro
 D777,375 S 1/2017 Frankel
 D781,496 S* 3/2017 Butler D28/58
 D785,871 S 5/2017 Staab et al.
 D797,377 S 9/2017 Reggiani et al.
 D812,301 S 3/2018 Tan
 D818,646 S 5/2018 Szymanski et al.
 D828,628 S 9/2018 Mori et al.
 D834,253 S* 11/2018 Khubani D28/50
 D834,254 S* 11/2018 Khubani D28/50

D836,840 S* 12/2018 Khubani D28/50
 D841,246 S* 2/2019 Stowers D28/50
 D841,247 S* 2/2019 Stowers D28/50
 D841,887 S* 2/2019 Stowers D28/50
 10,300,619 B2* 5/2019 Khubani B26B 19/3853
 D857,296 S* 8/2019 Khubani D28/51
 D857,297 S* 8/2019 Khubani D28/51
 10,391,649 B1* 8/2019 Khubani B26B 19/3853
 D865,291 S* 10/2019 Xiong D28/50
 D868,373 S* 11/2019 Kling D28/44.1
 2005/0144783 A1 7/2005 Yiu
 2006/0156551 A1* 7/2006 Khubani B26B 19/06
 30/130
 2010/0095531 A1 4/2010 Akkerman et al.
 2017/0203450 A1 7/2017 Hitson
 2018/0071927 A1 3/2018 Kleine Doepke et al.
 2018/0290318 A1 10/2018 Khubani et al.
 2018/0326603 A1 11/2018 Moss
 2018/0333875 A1* 11/2018 Lau B26B 19/06
 2019/0320778 A1* 10/2019 Moon A45D 2/48

FOREIGN PATENT DOCUMENTS

| | | |
|----|-----------------|---------|
| CN | 304457107 | 1/2018 |
| CN | 304516516 | 2/2018 |
| CN | 304700973 | 6/2018 |
| CN | 304739096 | 7/2018 |
| CN | 304814295 | 9/2018 |
| CN | 304883675 | 11/2018 |
| CN | 304964171 | 12/2018 |
| CN | 305077826 | 3/2019 |
| CN | 305449692 | 11/2019 |
| CN | 305583508 | 1/2020 |
| EM | 004171247-0001 | 9/2017 |
| EM | 006565495-0001 | 6/2019 |
| EM | 006684940-0001 | 8/2019 |
| GB | 6056436 | 3/2019 |
| IN | 313208-001-0001 | 12/2019 |

OTHER PUBLICATIONS

www.freakinterviews.com Finishing Touch Flawless Review, 2 pages,
 downloaded May 29, 2018, posted on Mar. 8, 2017.

* cited by examiner

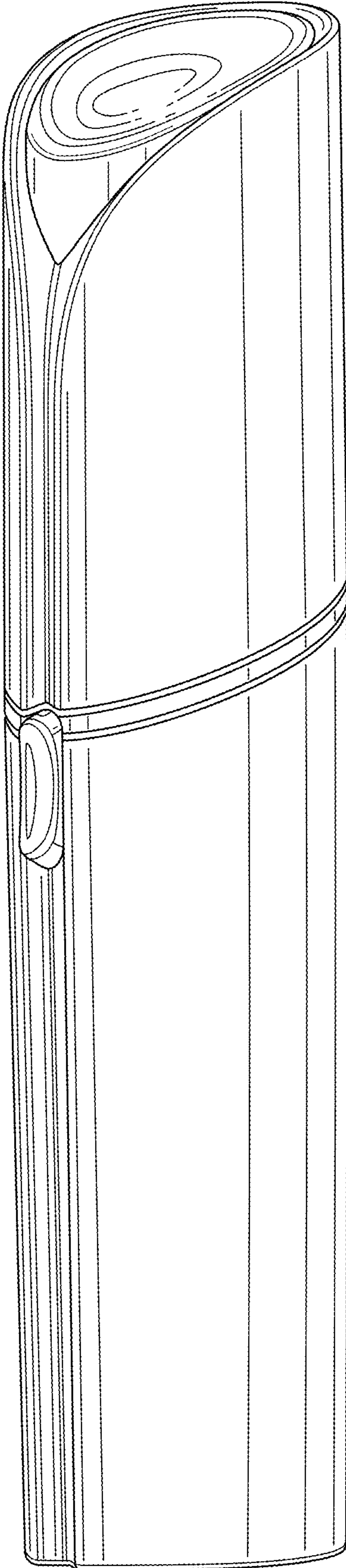


FIG. 1

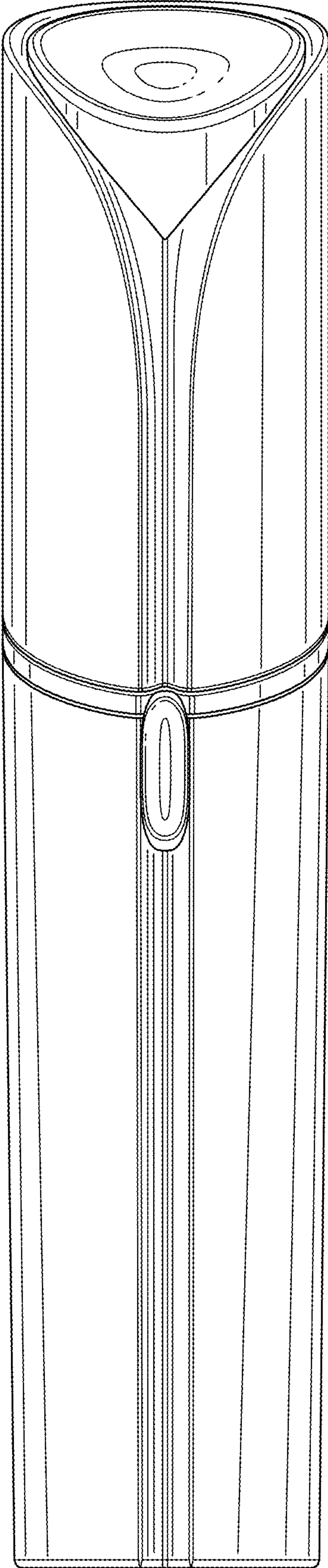


FIG. 2

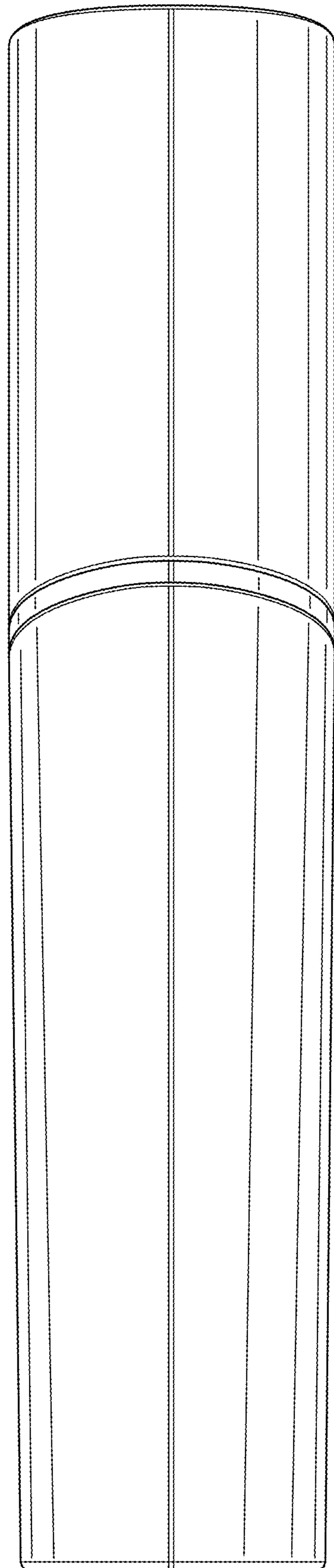


FIG. 3

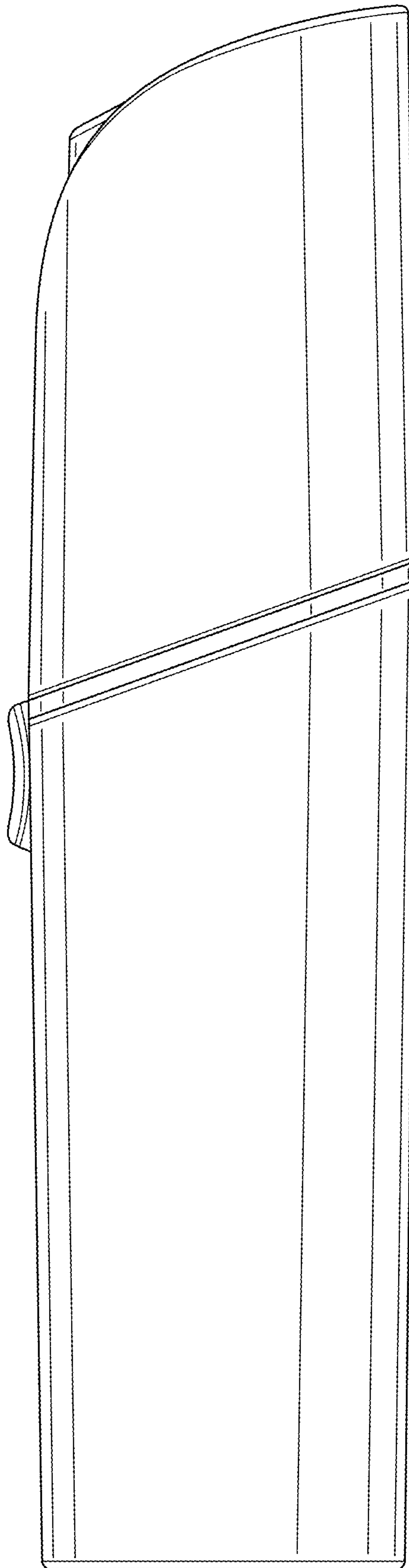


FIG. 4

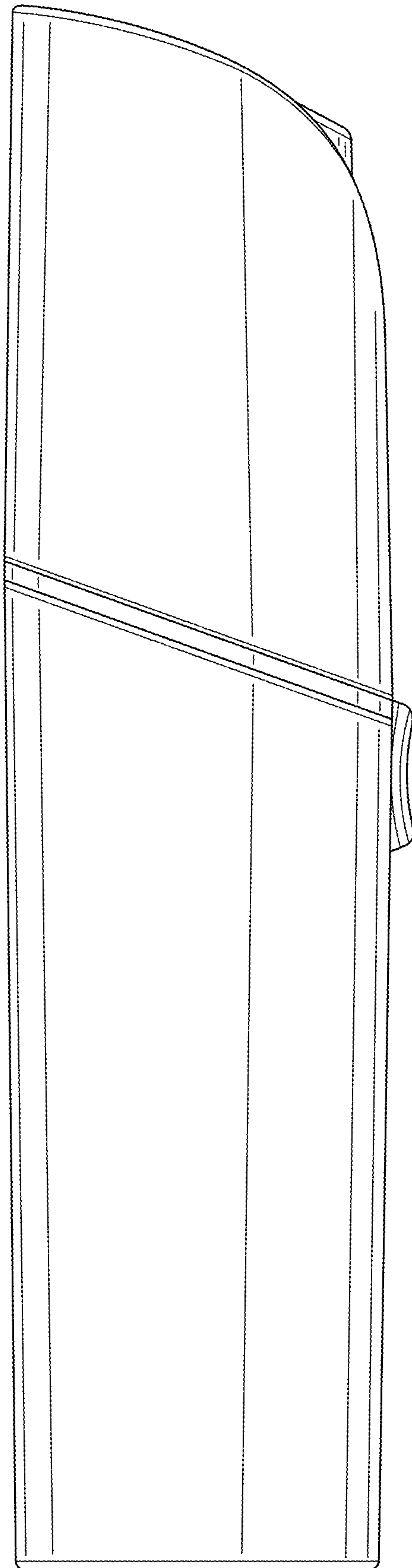


FIG. 5

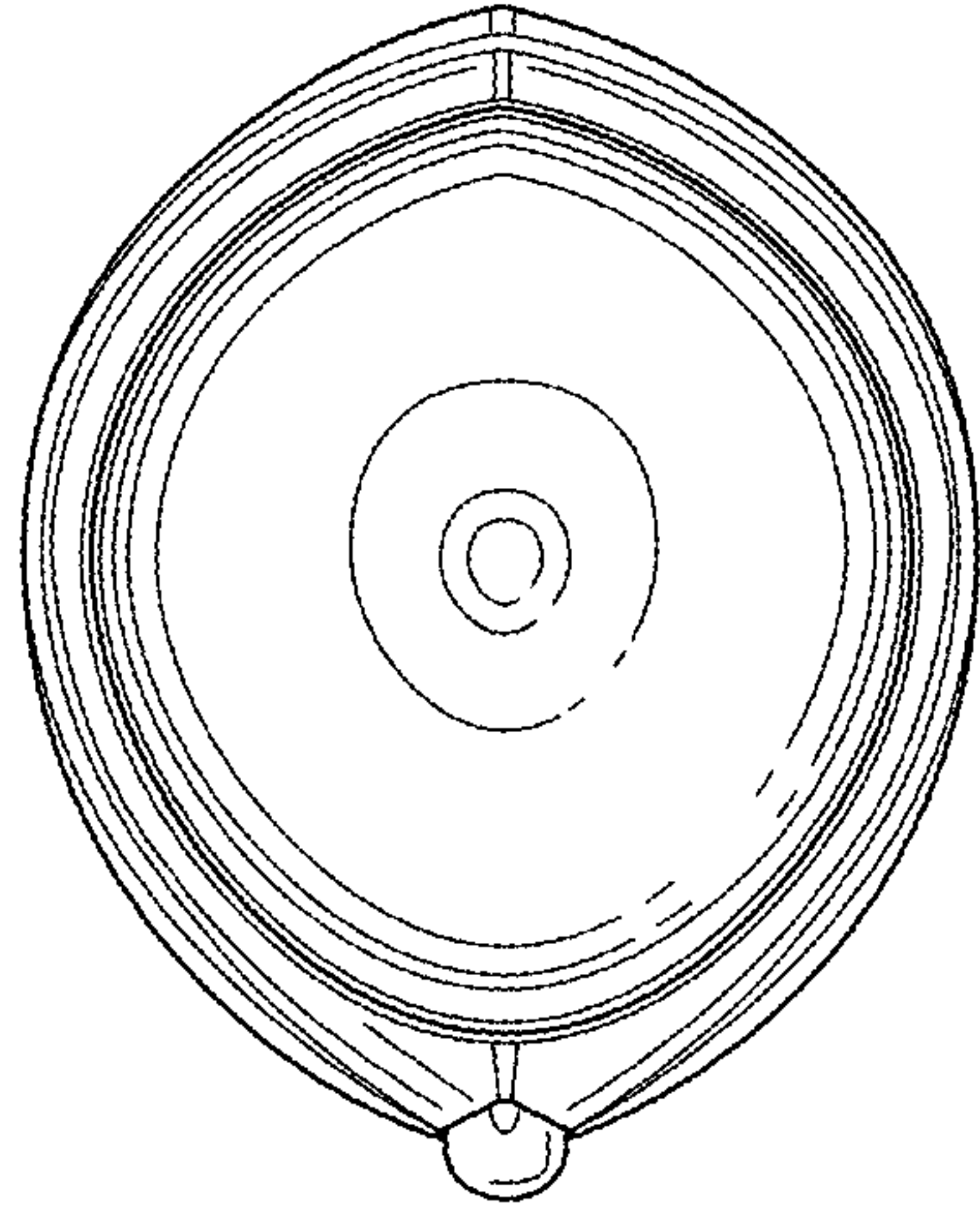


FIG. 6

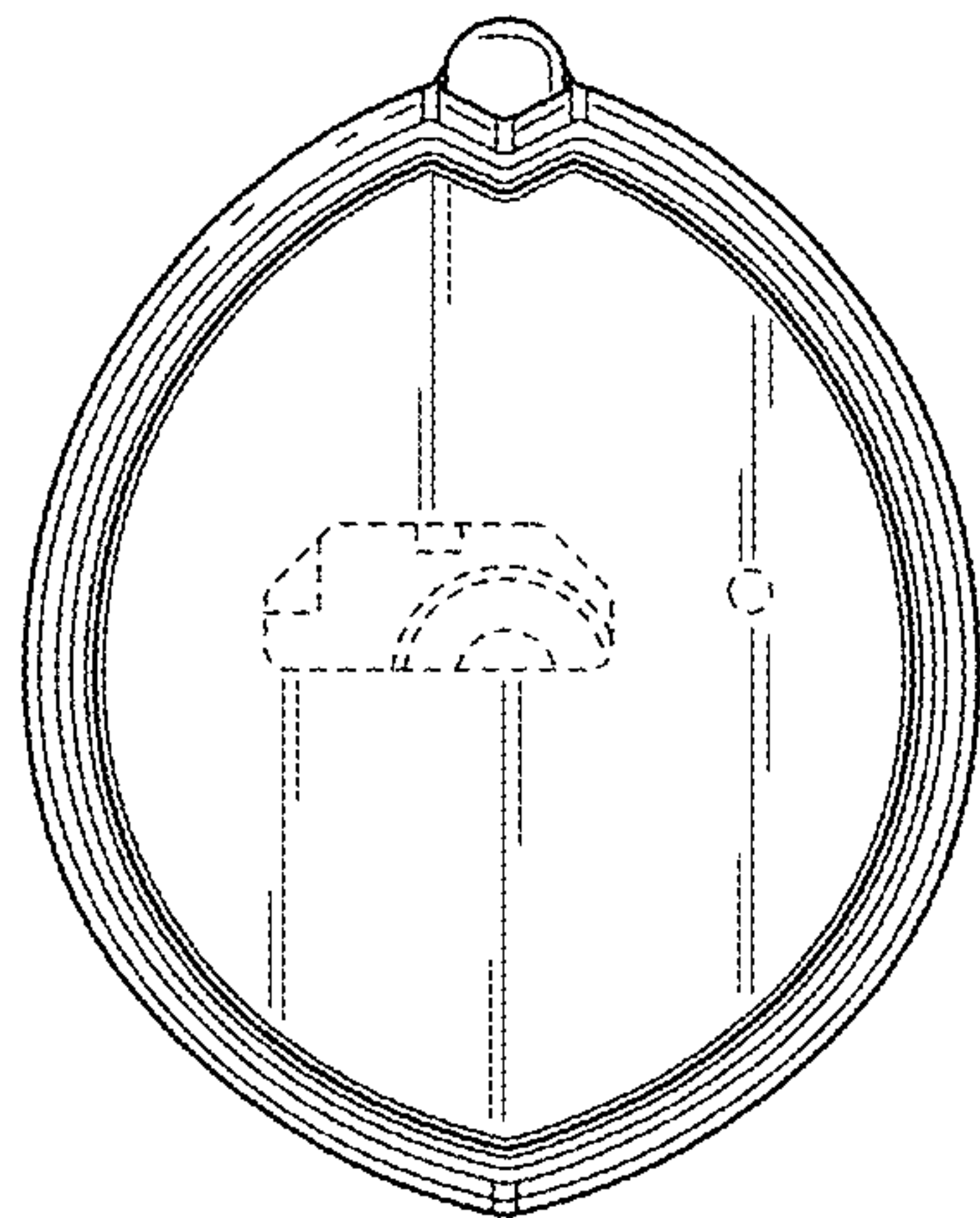


FIG. 7