



US00D898285S

(12) **United States Design Patent** (10) **Patent No.:** **US D898,285 S**
Goeder et al. (45) **Date of Patent:** **** Oct. 6, 2020**

- (54) **HANDLE**
- (71) Applicant: **The Gillette Company LLC**, Boston, MA (US)
- (72) Inventors: **Philipp Goeder**, Frankfurt (DE); **Christopher Ramm**, North Attleboro, MA (US)
- (73) Assignee: **The Gillette Company LLC**, Boston, MA (US)
- (**) Term: **15 Years**
- (21) Appl. No.: **29/727,165**
- (22) Filed: **Mar. 9, 2020**

- D750,324 S 2/2016 Bae
- D775,422 S 12/2016 Faktorovich et al.
- D789,609 S 6/2017 Kong
- D813,456 S 3/2018 Christofidellis et al.
- D837,452 S 1/2019 Goeder et al.
- D863,681 S * 10/2019 Jin D28/48
- D864,482 S * 10/2019 Goeder D28/48
- D881,468 S * 4/2020 Goeder D28/48
- D882,174 S * 4/2020 Goeder D28/48

* cited by examiner

Primary Examiner — Jennifer Rivard

(74) *Attorney, Agent, or Firm* — Kevin C. Johnson

(57) **CLAIM**

The ornamental design for a handle, as shown and described.

DESCRIPTION

FIG. 1 is a front perspective view of a design of a handle of the present invention;
 FIG. 2 is a front view thereof;
 FIG. 3 is a back view thereof;
 FIG. 4 is a right side view thereof;
 FIG. 5 is a left side view thereof;
 FIG. 6 is a top view thereof;
 FIG. 7 is a bottom view thereof;
 FIG. 8 is a front perspective view of a second design of a handle of the present invention;
 FIG. 9 is a front view thereof;
 FIG. 10 is a back view thereof;
 FIG. 11 is a right side view thereof;
 FIG. 12 is a left side view thereof;
 FIG. 13 is a top view thereof; and,
 FIG. 14 is a bottom view thereof.

The broken line disclosure of the cartridge illustrates the environment of the handle. The remaining broken lines illustrate portions of the handle. None of the broken line disclosure forms part of the claimed design.

1 Claim, 8 Drawing Sheets

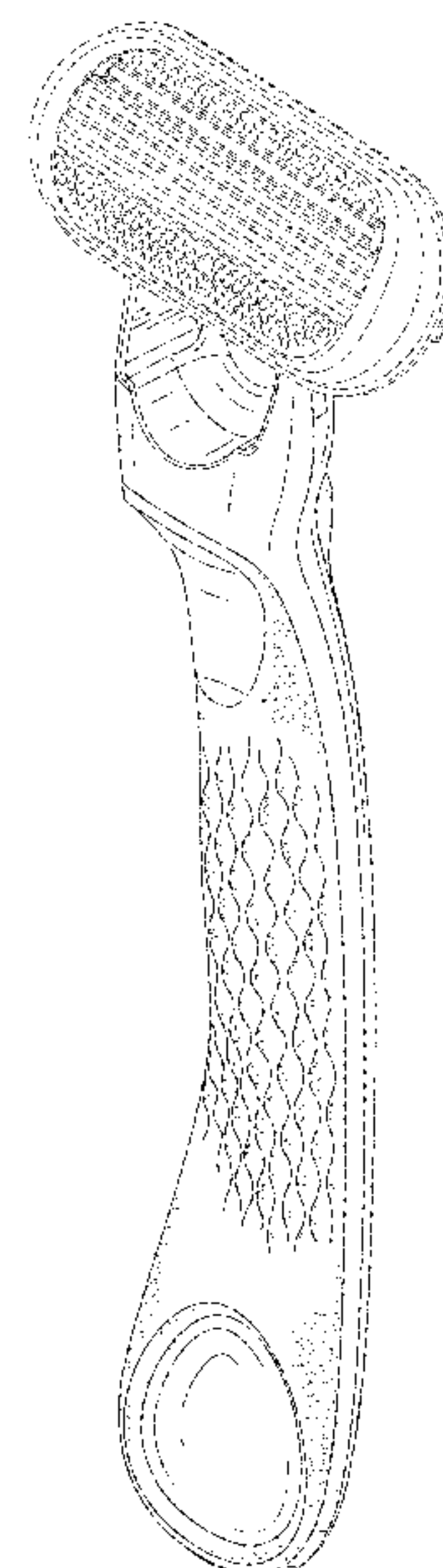
Related U.S. Application Data

- (62) Division of application No. 29/640,079, filed on Mar. 12, 2018, now Pat. No. Des. 882,174.
 - (51) **LOC (12) Cl.** **28-03**
 - (52) **U.S. Cl.**
USPC **D28/48**
 - (58) **Field of Classification Search**
USPC D28/46-48
CPC B26B 21/00-06; B26B 21/08-38; B26B 21/44-50; B26B 21/405-4056; B26B 21/52-528
- See application file for complete search history.

(56) **References Cited**

U.S. PATENT DOCUMENTS

- D671,684 S 11/2012 Wilby et al.
- D674,552 S 1/2013 Barrow et al.
- D736,466 S * 8/2015 Cataudella D28/48
- D739,604 S 9/2015 Christie et al.
- D745,215 S 12/2015 Go
- D749,784 S 2/2016 Go



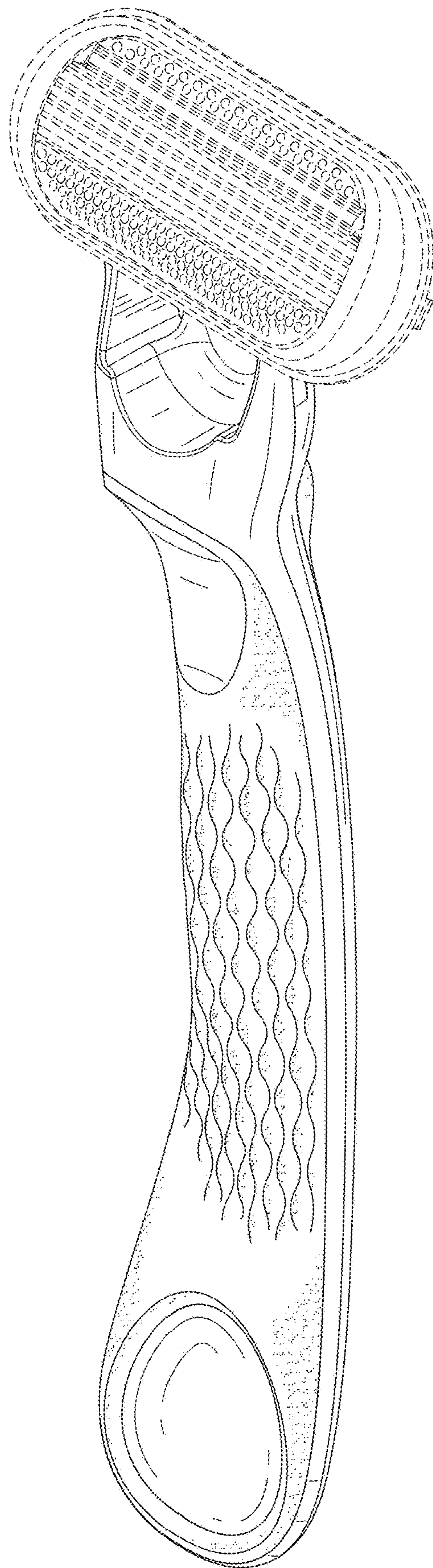
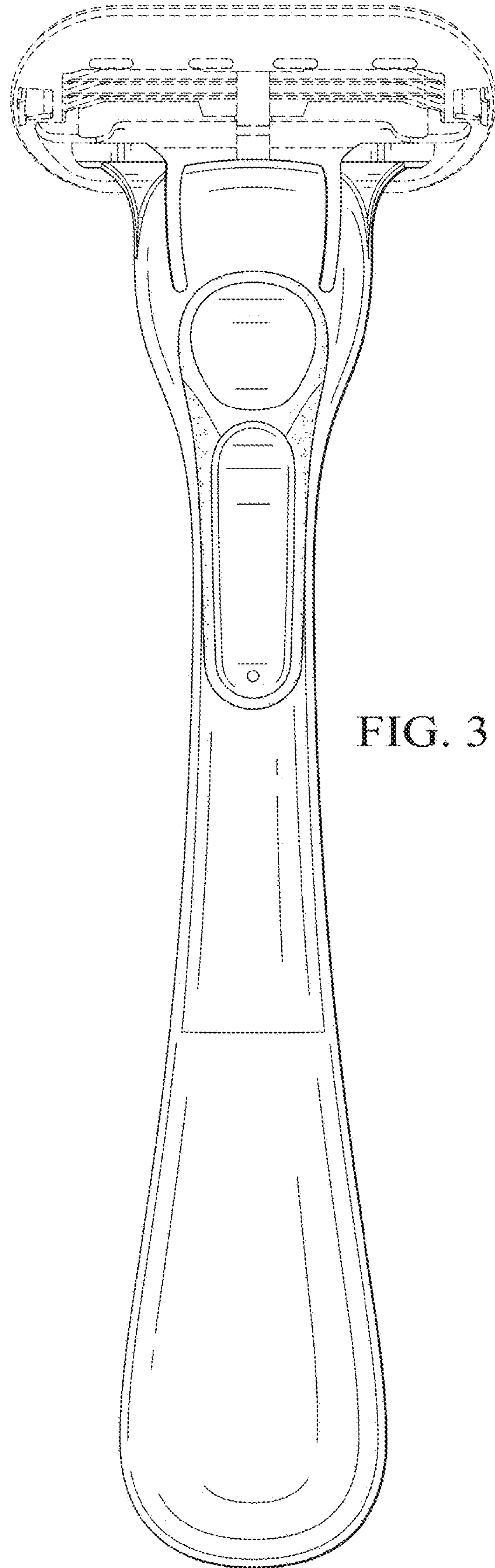
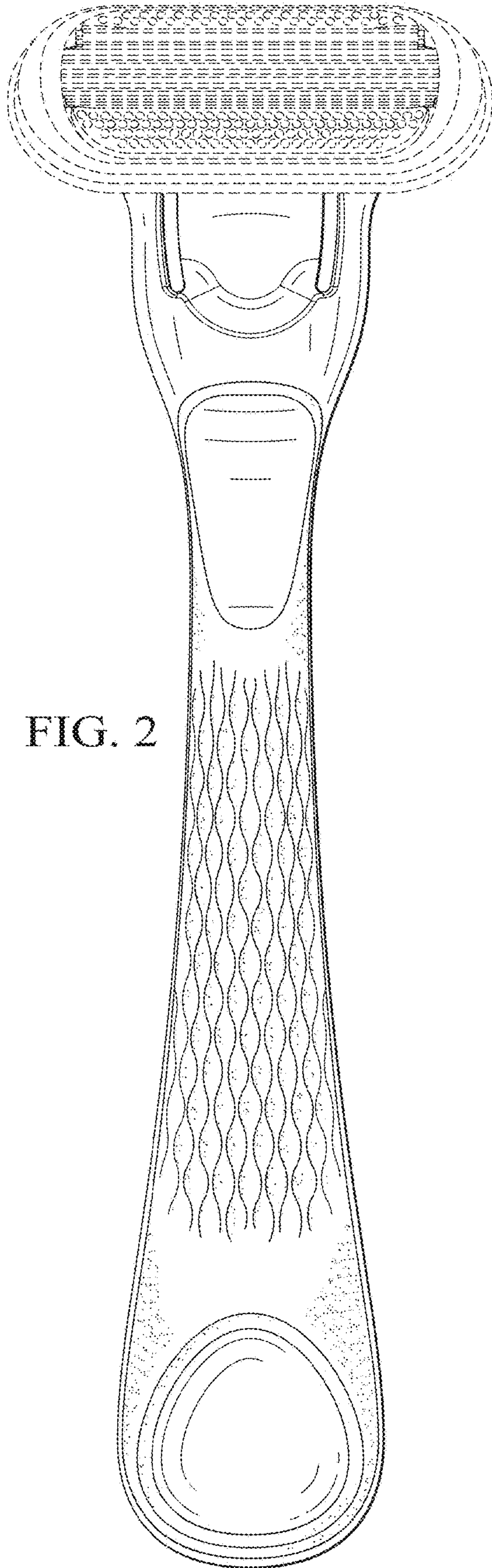


FIG. 1



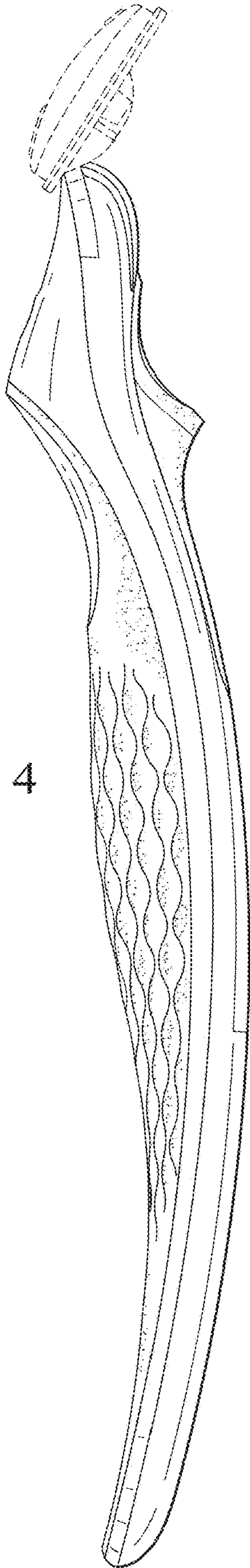


FIG. 4

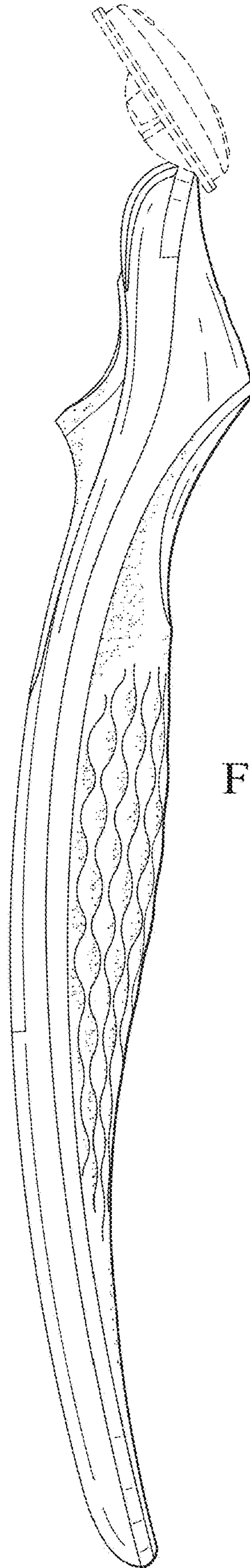


FIG. 5

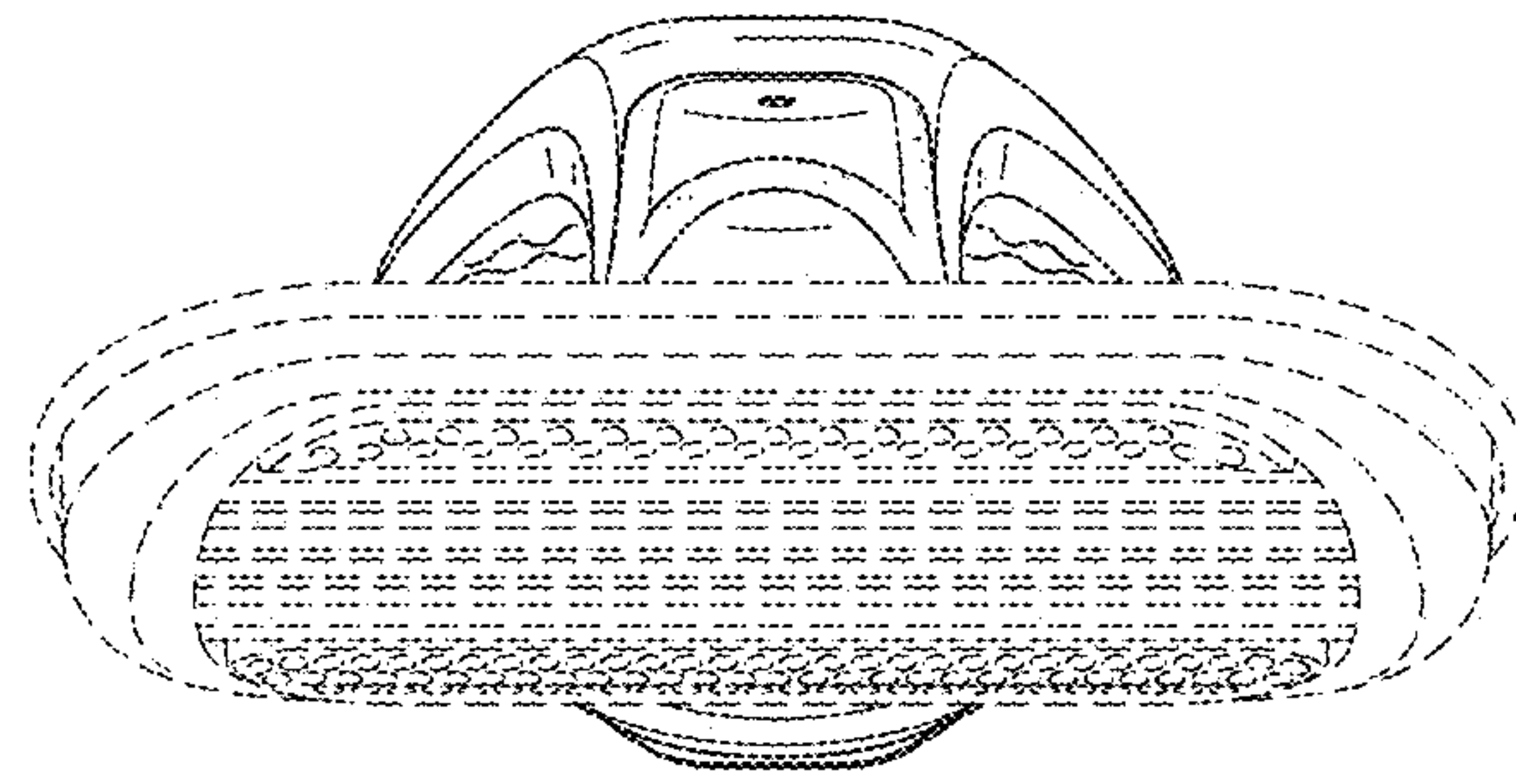


FIG. 6

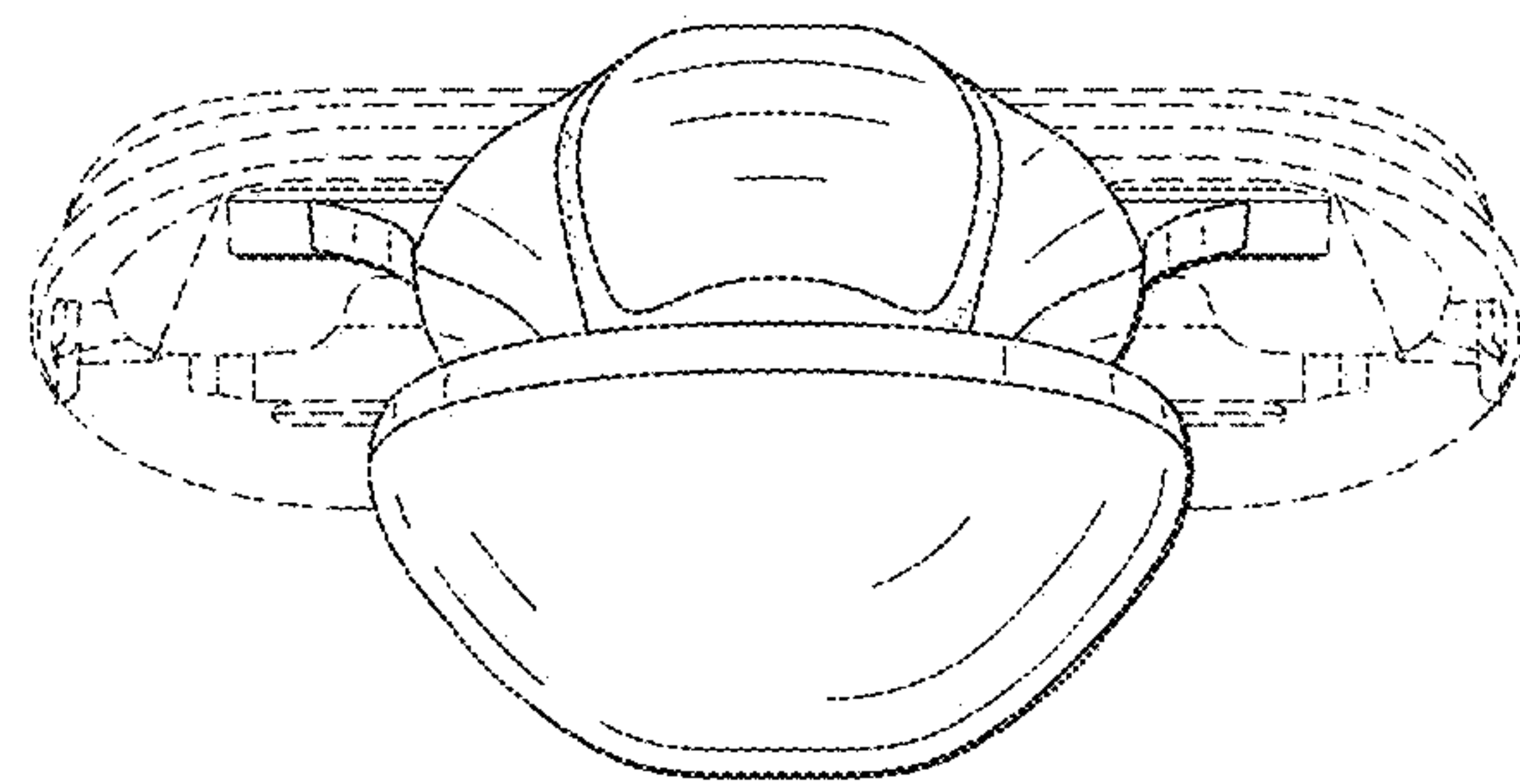


FIG. 7

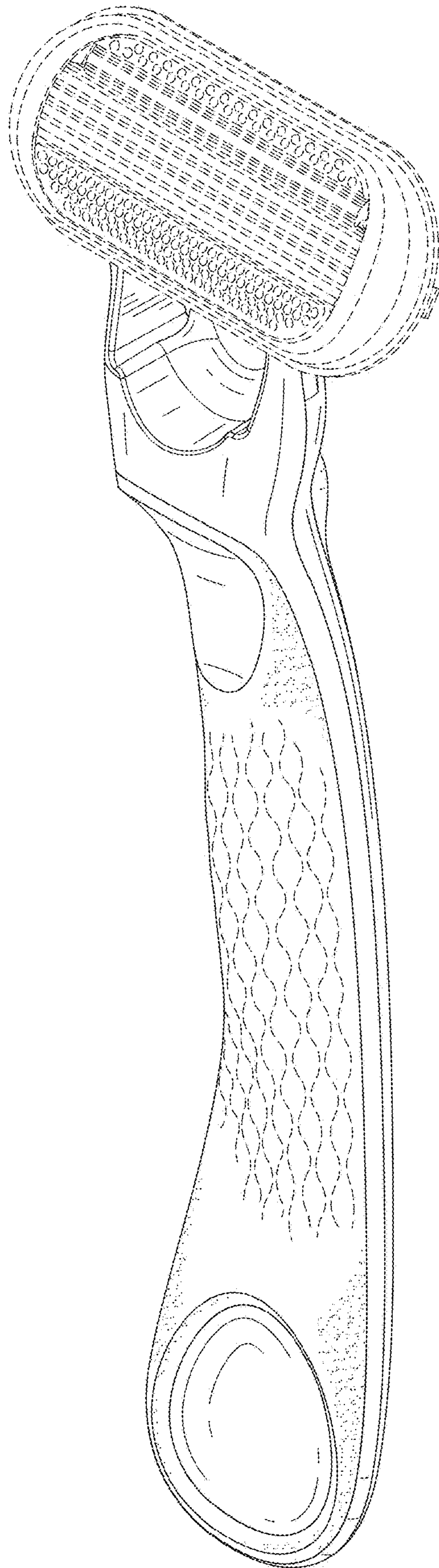
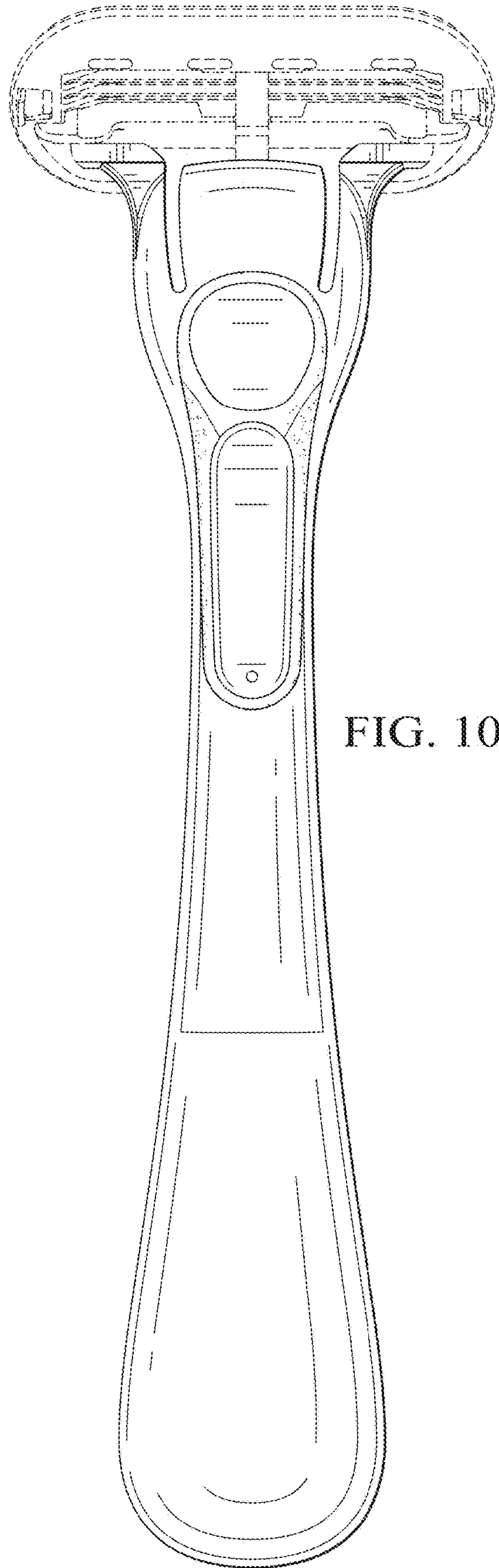
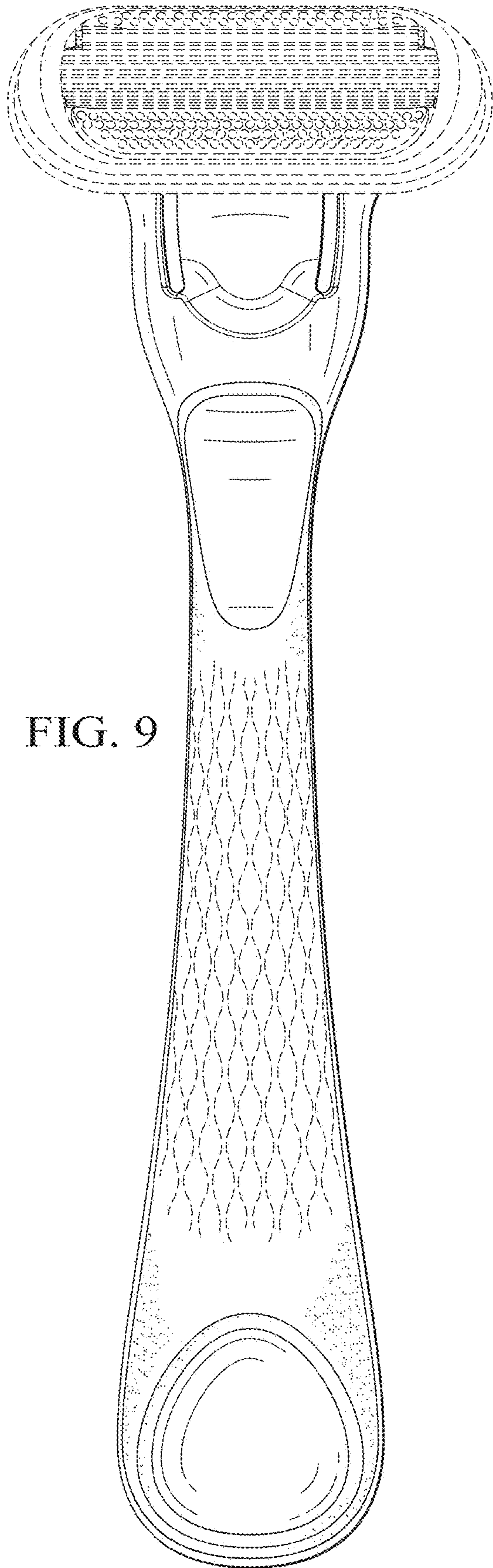


FIG. 8



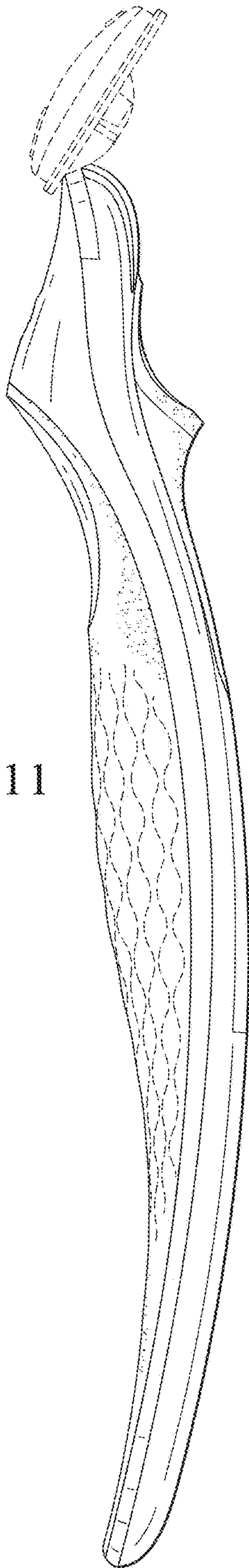


FIG. 11

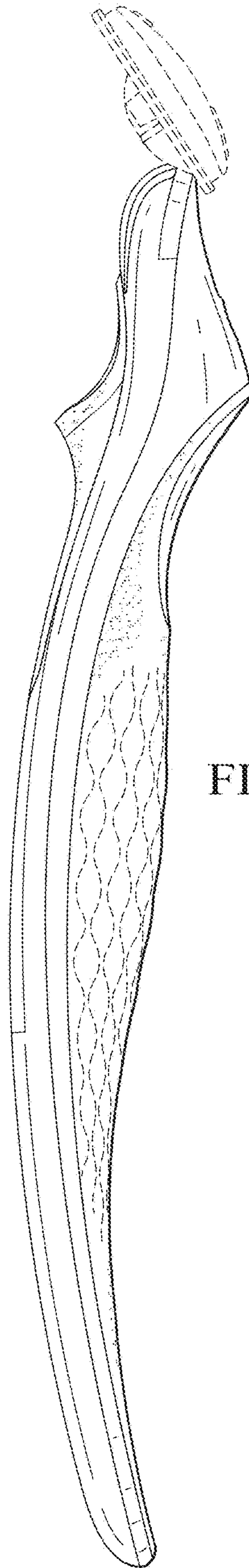


FIG. 12

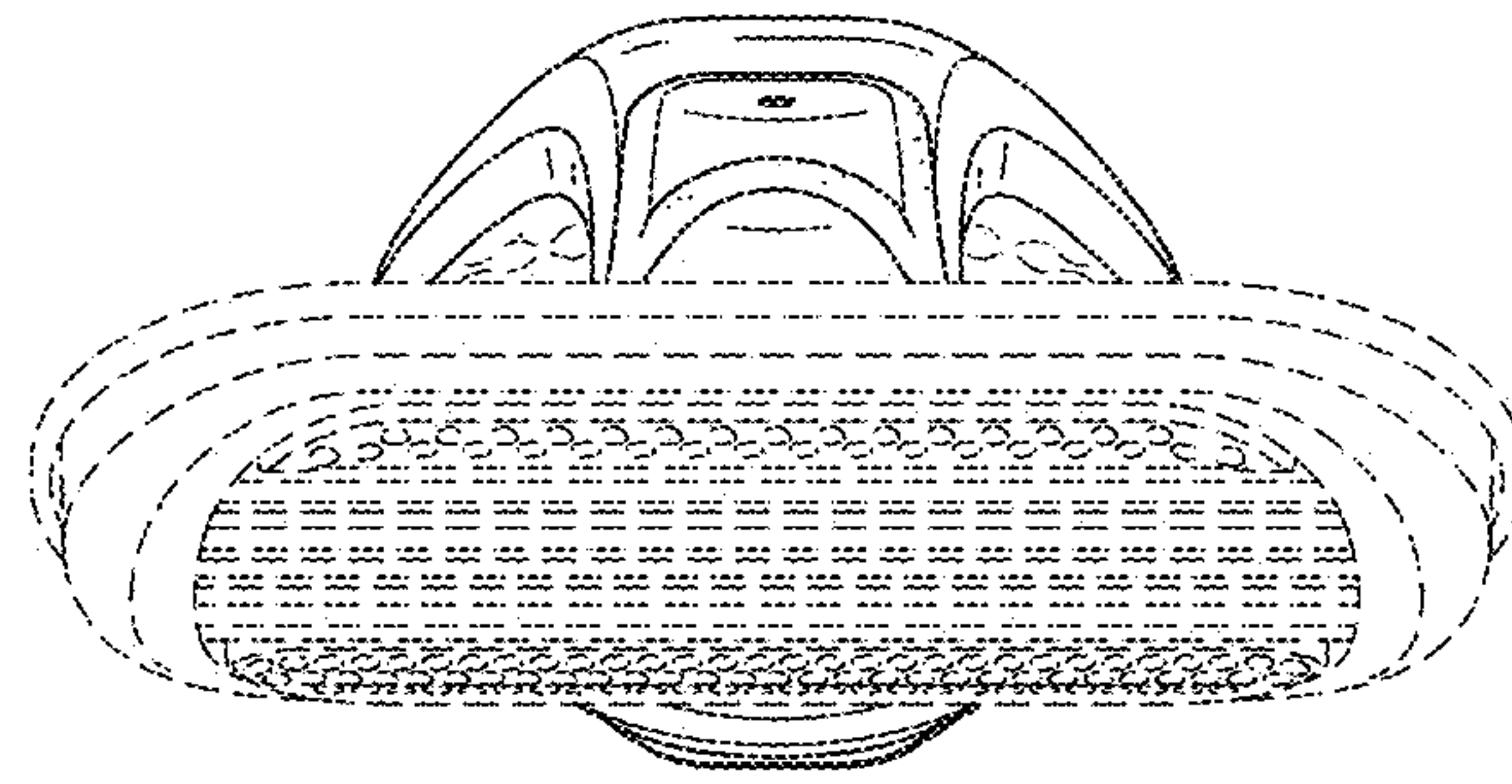


FIG. 13

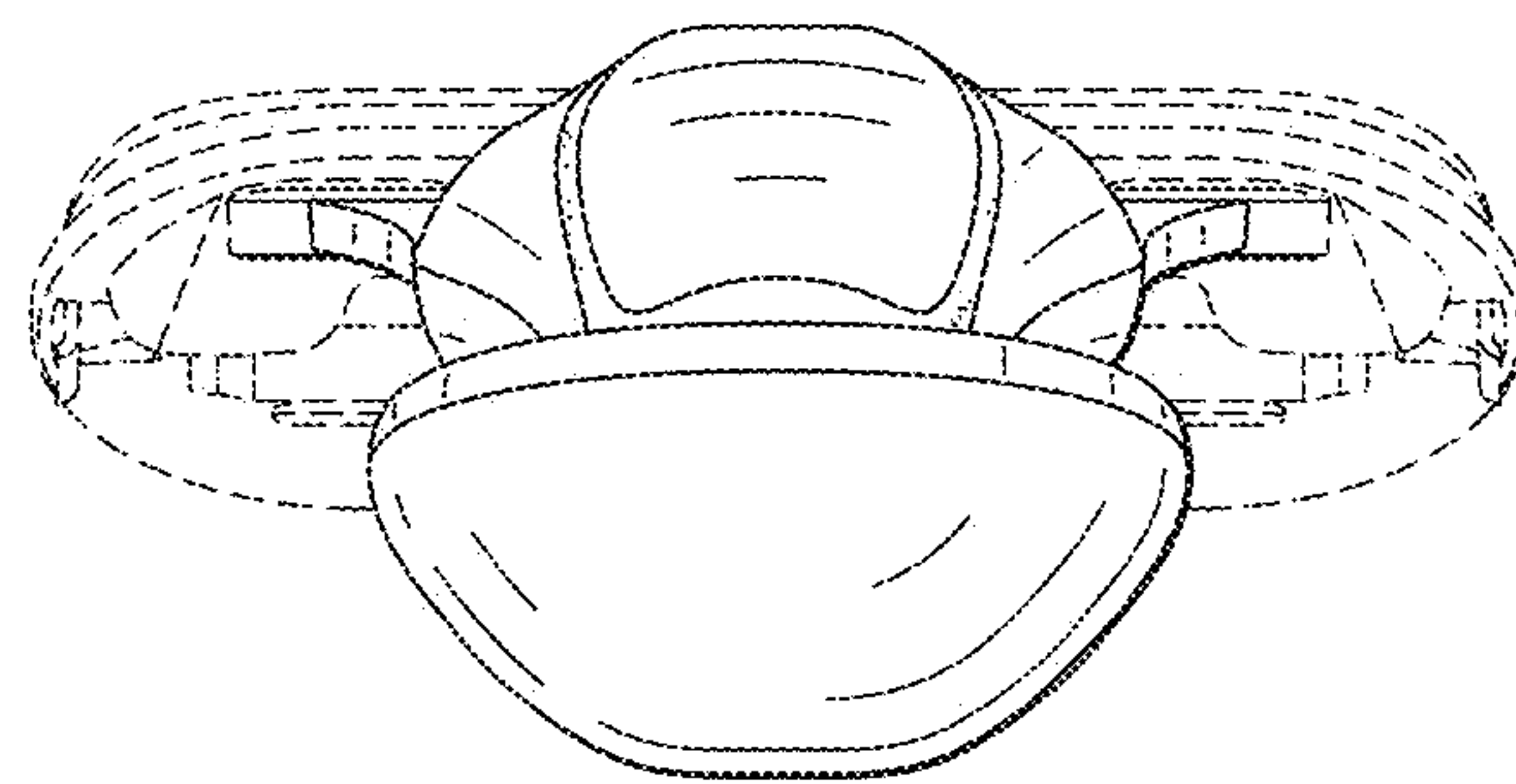


FIG. 14