



US00D898281S

(12) **United States Design Patent** (10) **Patent No.:** **US D898,281 S**  
**Yang** (45) **Date of Patent:** **\*\* Oct. 6, 2020**

(54) **HAIR DRYER**  
(71) Applicant: **SHENZHEN JIANGBEI TRADING CO., LTD.**, Baoan District, Shenzhen (CN)  
(72) Inventor: **Shaodan Yang**, Shenzhen (CN)  
(73) Assignee: **SHENZHEN JIANGBEI TRADING CO., LTD.**, Shenzhen (CN)  
(\*\*) Term: **15 Years**  
(21) Appl. No.: **29/731,417**  
(22) Filed: **Apr. 15, 2020**  
(51) **LOC (12) Cl.** ..... **28-03**  
(52) **U.S. Cl.**  
USPC ..... **D28/13**  
(58) **Field of Classification Search**  
USPC ..... D28/12-19  
CPC ..... A45D 20/00; A45D 20/10; A45D 20/12;  
A45D 20/18  
See application file for complete search history.

D730,576 S 5/2015 Gammack  
D731,117 S 6/2015 Bates et al.  
D741,544 S 10/2015 Gammack  
D757,361 S 5/2016 Gammack  
D757,362 S 5/2016 Dyson et al.  
D782,732 S \* 3/2017 Smith ..... D28/13  
D782,733 S \* 3/2017 Smith ..... D28/13  
D791,407 S \* 7/2017 Smith ..... D28/13  
D832,510 S 10/2018 Kuzia et al.  
D850,717 S 6/2019 Huang  
D861,246 S 9/2019 Hsu  
D872,358 S 1/2020 Liao

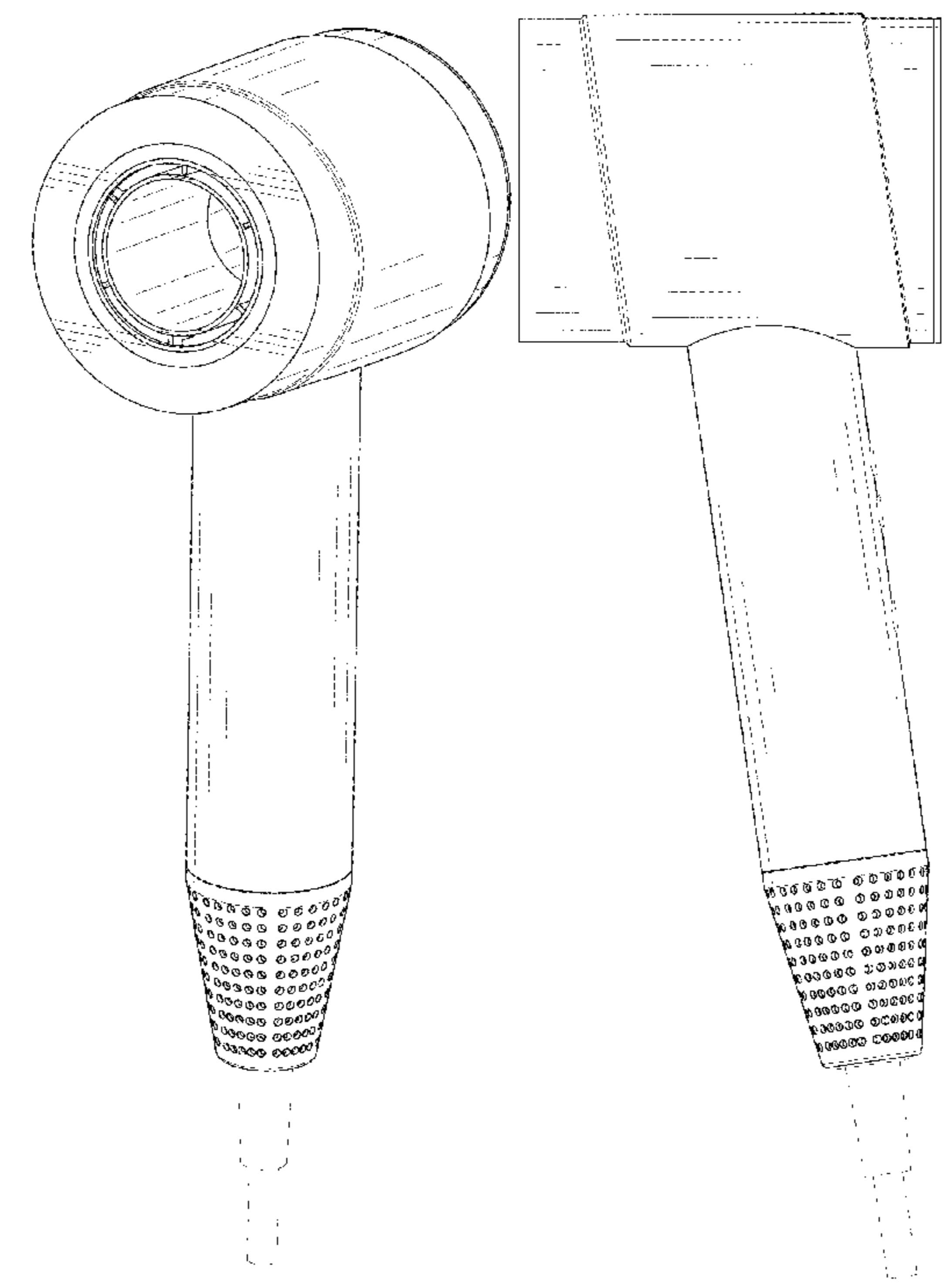
\* cited by examiner  
*Primary Examiner* — Zenia I Bennett  
(74) *Attorney, Agent, or Firm* — Law Offices Of Steven W. Weinrieb

(57) **CLAIM**  
The ornamental design for a hair dryer, as shown and described.

**DESCRIPTION**  
FIG. 1 is a front, left side, top perspective view of a hair dryer showing my new design;  
FIG. 2 is a front, right side, top perspective view thereof;  
FIG. 3 is a front elevational view thereof;  
FIG. 4 is a rear elevational view thereof;  
FIG. 5 is a left side elevational view thereof;  
FIG. 6 is a right side elevational view thereof;  
FIG. 7 is a top plan view thereof; and,  
FIG. 8 is a bottom plan view thereof.  
The broken lines depict portions of the hair dryer that form no part of the claimed design.

(56) **References Cited**  
U.S. PATENT DOCUMENTS  
D398,717 S 9/1998 Kling et al.  
D715,995 S 10/2014 Dyson et al.  
D715,996 S 10/2014 Dyson et al.  
D716,492 S 10/2014 Dyson et al.  
D729,447 S 5/2015 Gammack  
D729,448 S 5/2015 Gammack  
D729,978 S 5/2015 Bates et al.  
D729,979 S 5/2015 Gammack  
D730,575 S 5/2015 Bates et al.

**1 Claim, 8 Drawing Sheets**



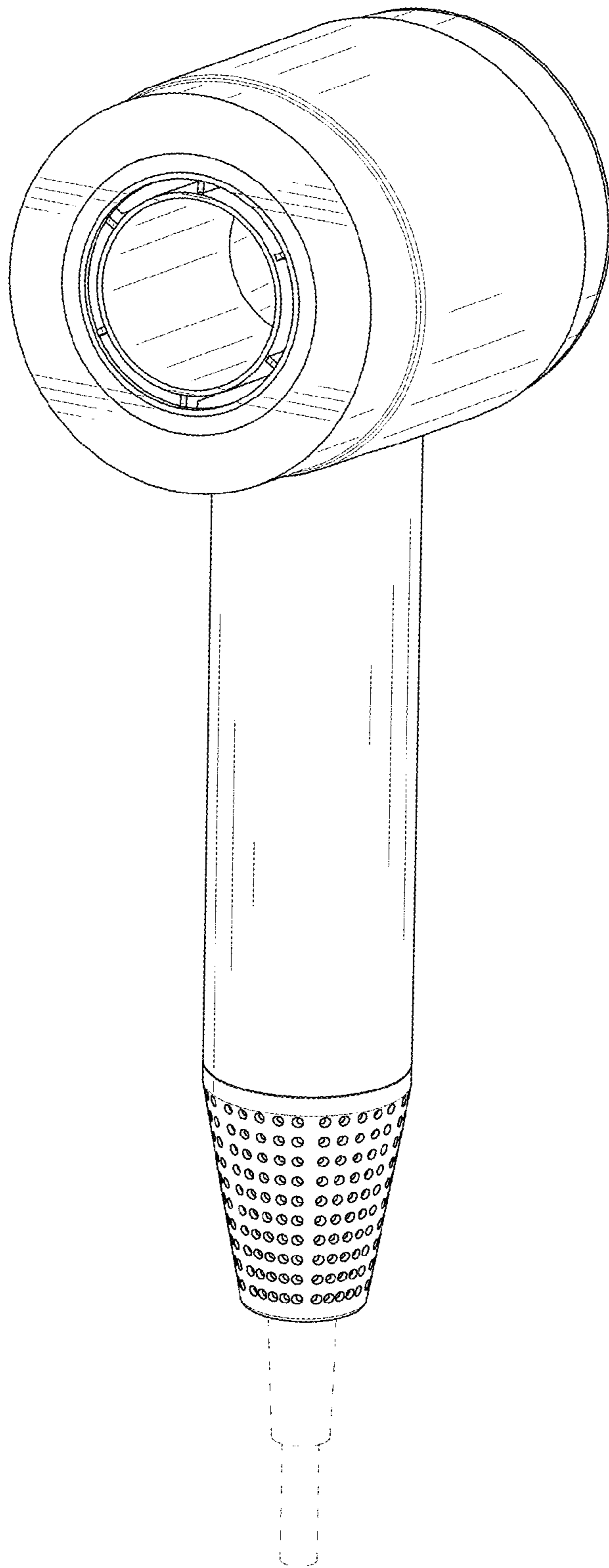


FIG.1

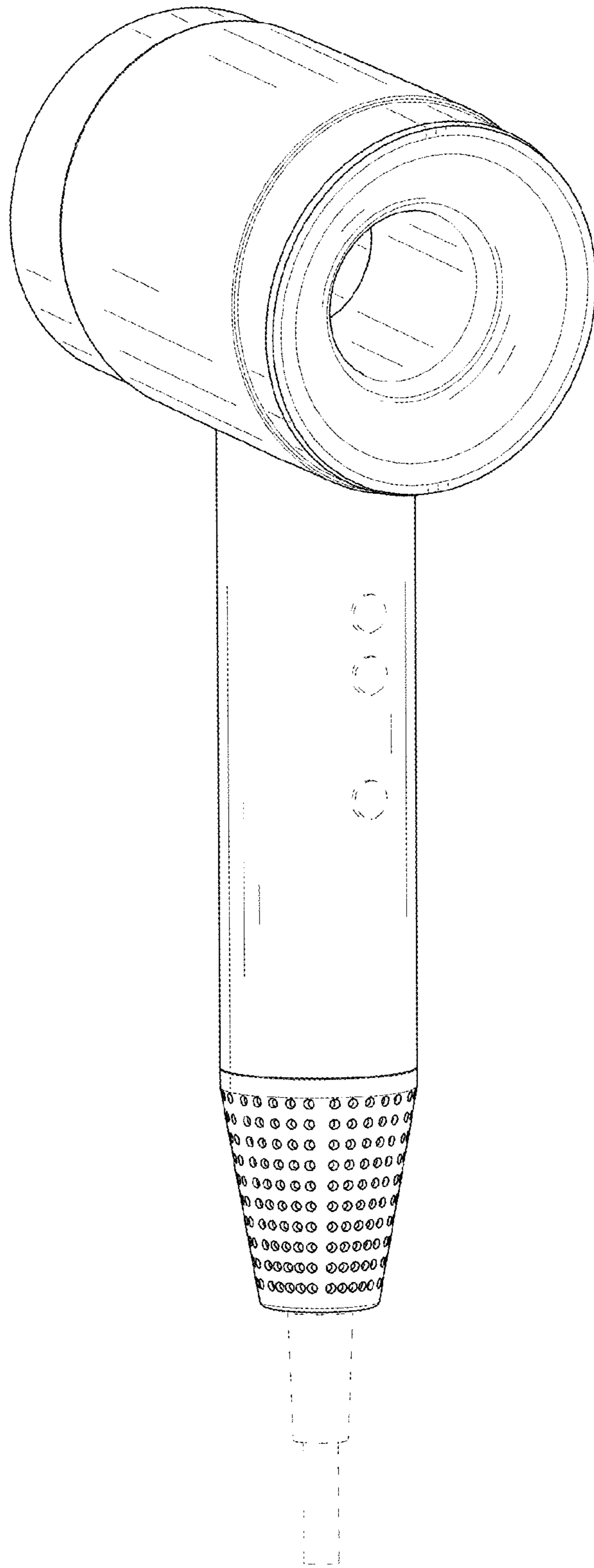


FIG.2

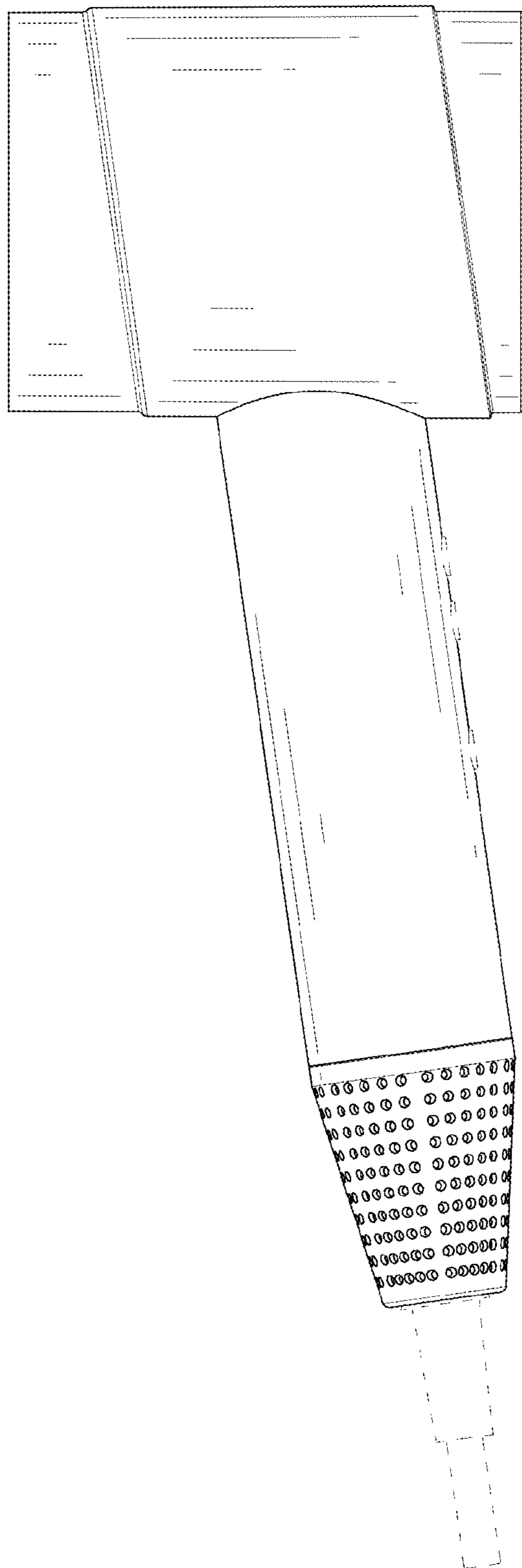


FIG. 3

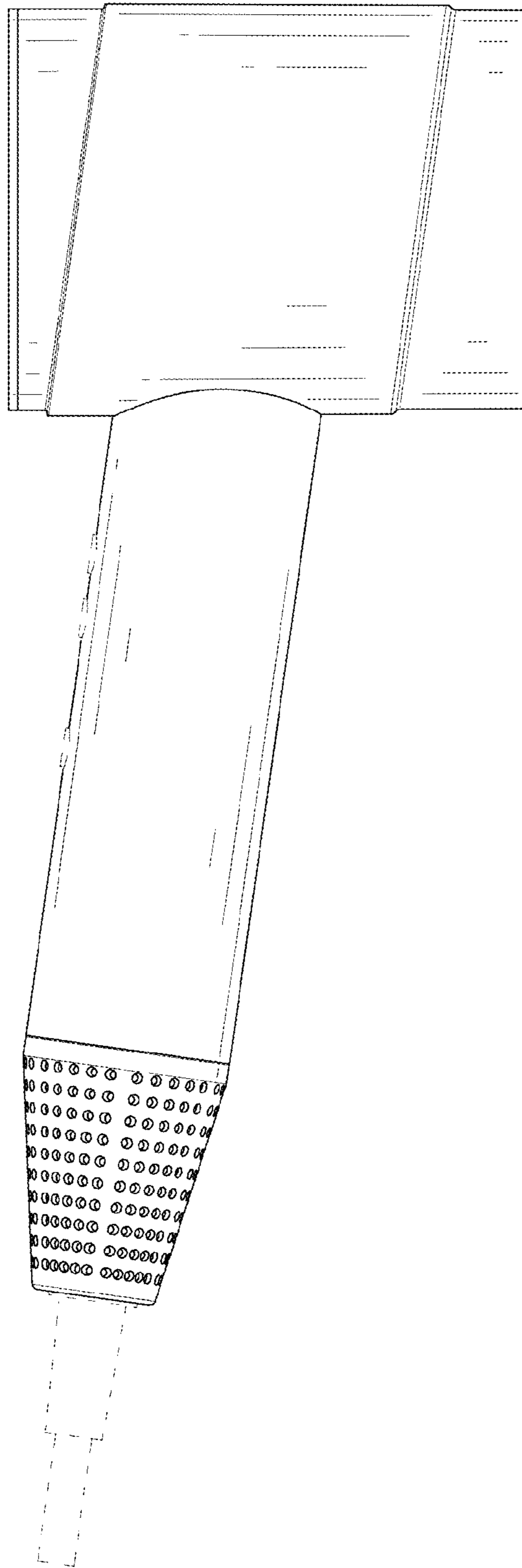


FIG.4

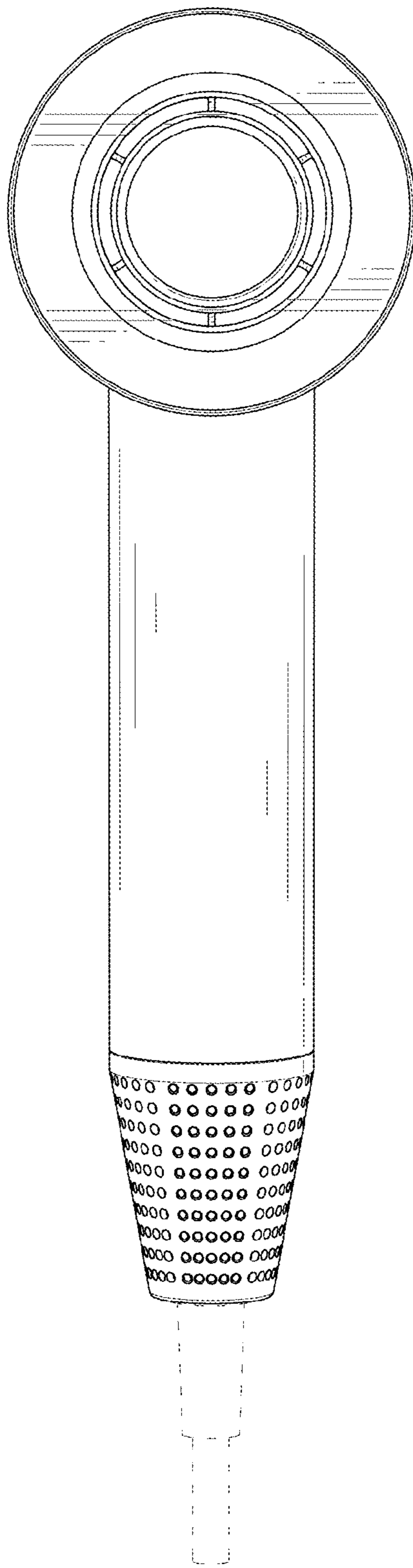


FIG. 5



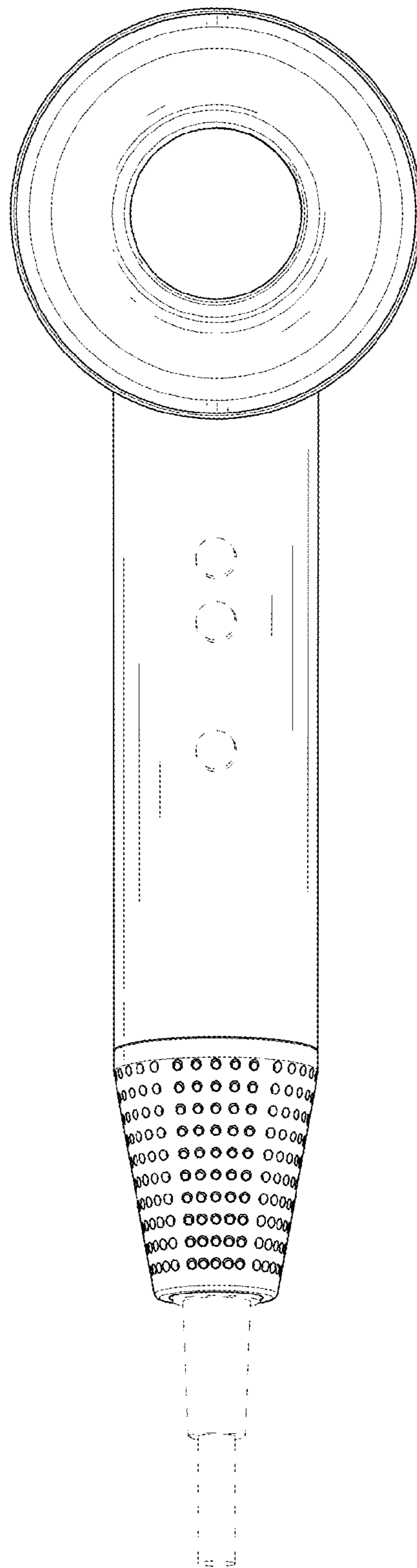


FIG.6

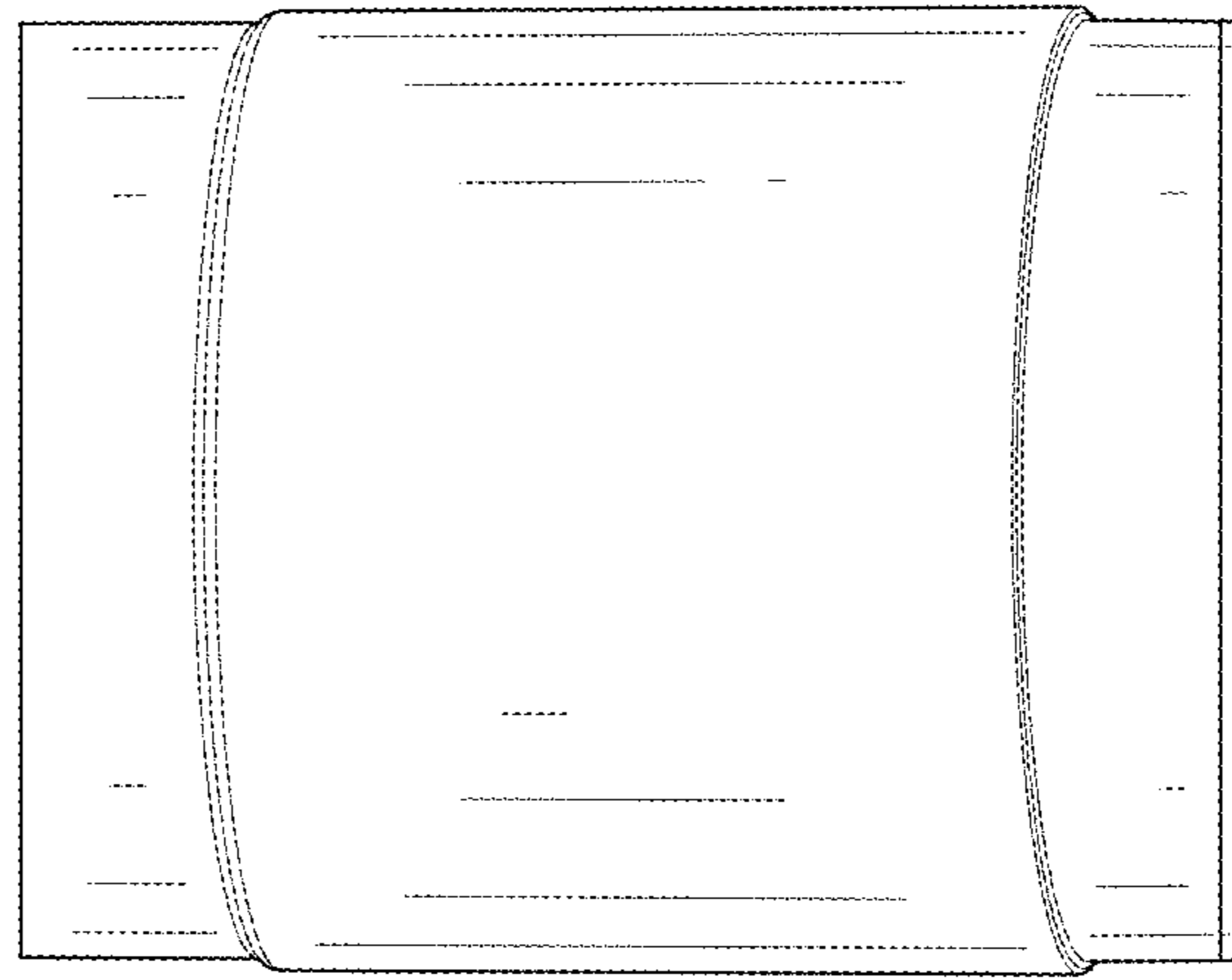


FIG.7



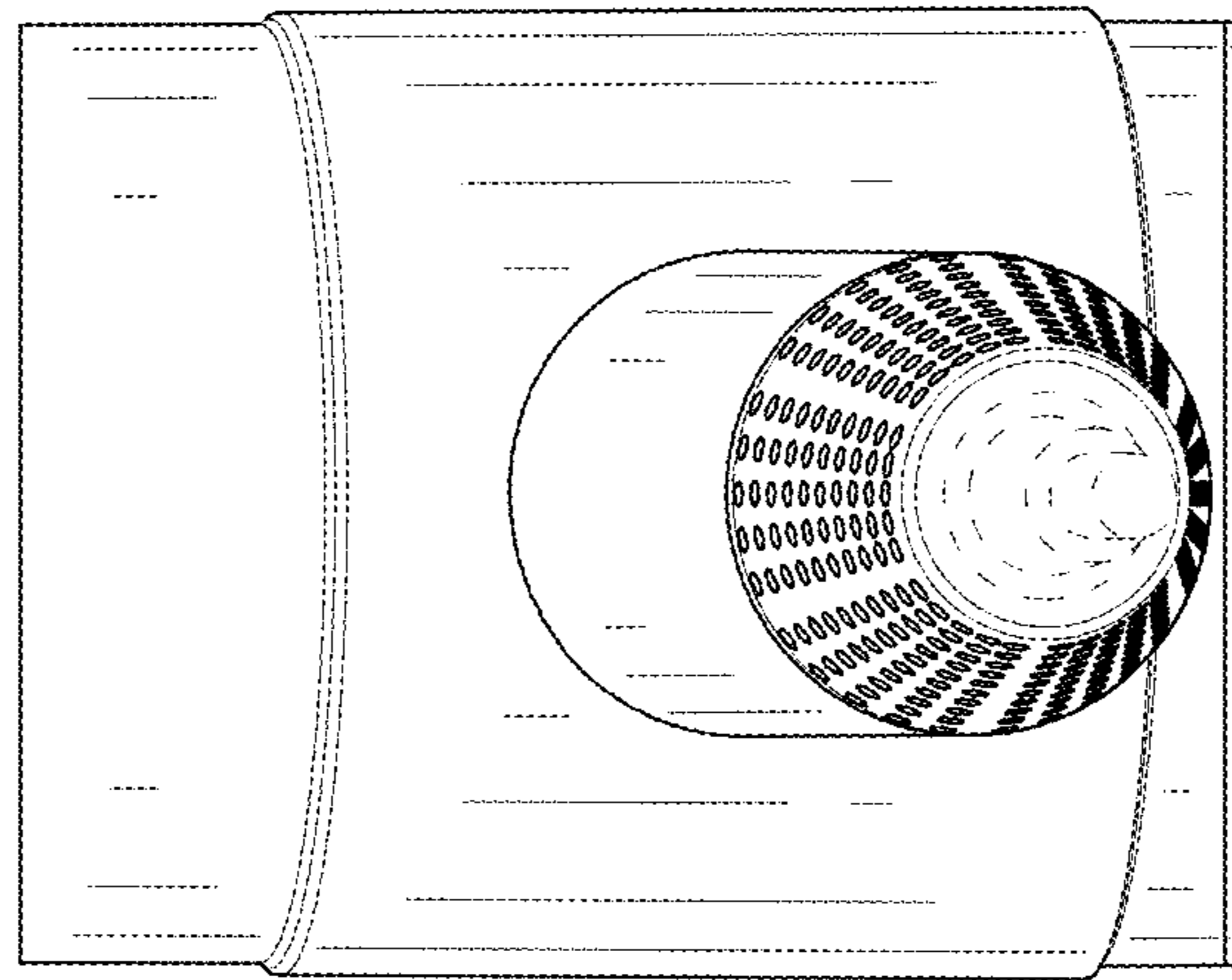


FIG.8