



US00D898279S

(12) **United States Design Patent**
Pierce et al.

(10) **Patent No.:** **US D898,279 S**

(45) **Date of Patent:** **** Oct. 6, 2020**

(54) **VAPORIZING CARTRIDGE**

(71) Applicant: **Airmyth Supply Company, LLC**,
Calabasas, CA (US)

(72) Inventors: **Paul Pierce**, Calabasas, CA (US); **Elliot Mermel**, Calabasas, CA (US); **James Yang**, Shenzhen (CN)

(73) Assignee: **Airmyth Supply Company, LLC**,
Calabasas, CA (US)

(**) Term: **15 Years**

(21) Appl. No.: **29/654,386**

(22) Filed: **Jun. 22, 2018**

(51) **LOC (12) Cl.** **27-02**

(52) **U.S. Cl.**
USPC **D27/162**

(58) **Field of Classification Search**
USPC D27/162, 100, 101, 163–165, 172, 183,
D27/185–194; D24/110, 100.5;
128/202.21, 203.12; 131/273, 274, 270,
131/191, 328, 329, 330, 360–365
CPC A24F 47/002; A24F 47/006; A24F 47/008;
A61M 15/00; A61M 15/06
See application file for complete search history.

(56) **References Cited**

U.S. PATENT DOCUMENTS

D492,445 S *	6/2004	Parcevaux	D27/194
D613,395 S *	4/2010	Nakao	D24/110
D613,396 S *	4/2010	Nakao	D24/110
D763,502 S *	8/2016	Verleur	D27/167
D820,515 S *	6/2018	Nettenstrom	D27/167
D842,536 S *	3/2019	Bowen	D27/167
D844,235 S *	3/2019	Cividi	D27/167
D849,996 S *	5/2019	Duque	D27/194
D864,475 S *	10/2019	Pierce	D27/162
D866,064 S *	11/2019	Powell	D27/170

(Continued)

OTHER PUBLICATIONS

<https://www.heavengifts.com/product/SMOK-Mico-Pod.html> (Feb. 4, 2019).*

Primary Examiner — Marissa J Cash

Assistant Examiner — Rebecca Tsehaye

(74) *Attorney, Agent, or Firm* — Moser Taboada

(57) **CLAIM**

The ornamental design for a vaporizing cartridge, as shown and described.

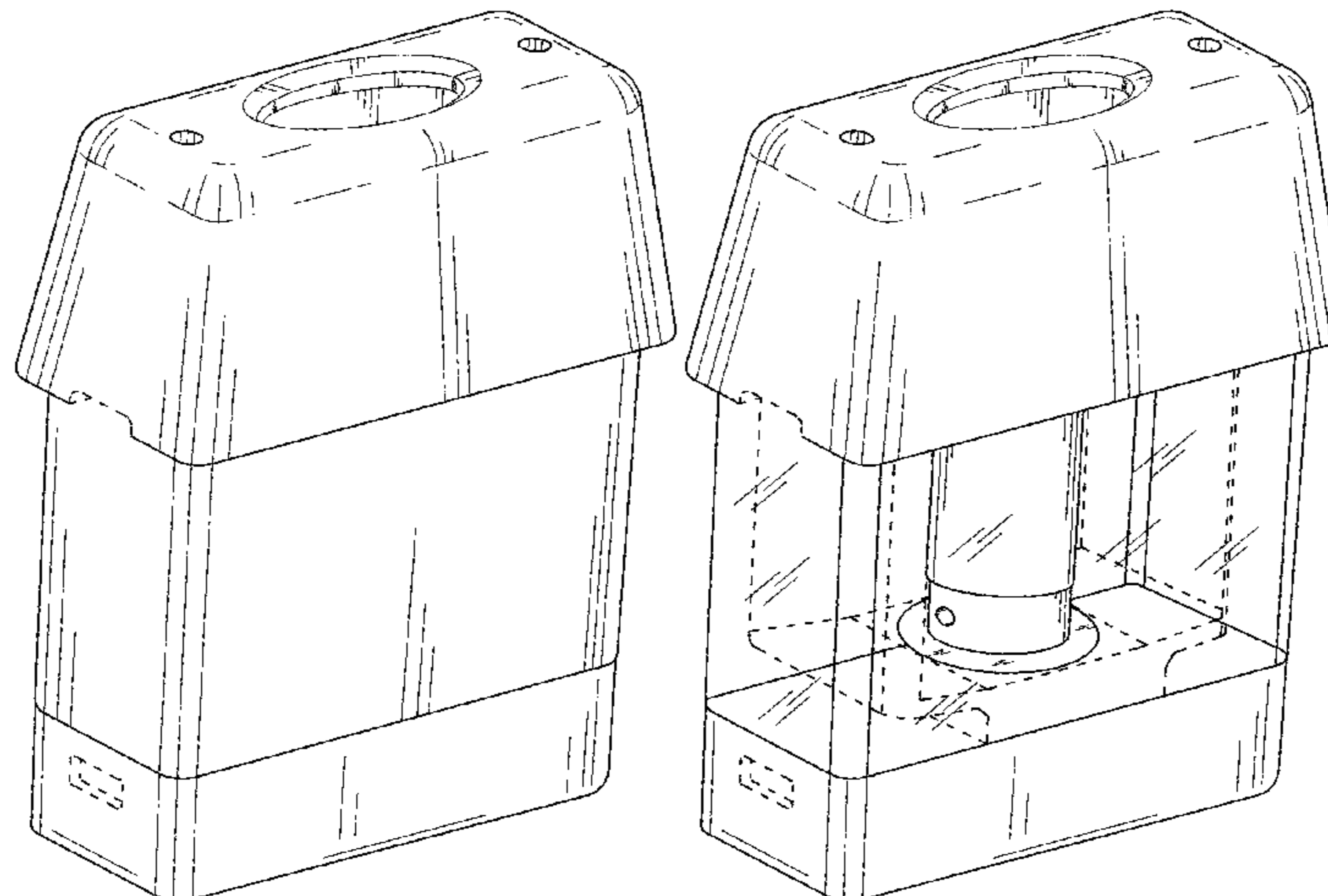
DESCRIPTION

FIG. 1 is a front isometric view of a first embodiment of a vaporizing cartridge embodying the new design; FIG. 2 is a front view of the design shown in FIG. 1; FIG. 3 is a rear view of the design shown in FIG. 1; FIG. 4 is a top view of the design shown in FIG. 1; FIG. 5 is a bottom view of the design shown in FIG. 1; FIG. 6 is a right side view of the design shown in FIG. 1; FIG. 7 is a left side view of the design shown in FIGS. 1; and FIG. 8 is a cross-section view taken along 8-8 in FIG. 4 of the design shown in FIG. 1.

FIG. 9 is a front isometric view of a second embodiment of a vaporizing cartridge embodying the new design; FIG. 10 is a front view of the design shown in FIG. 9; FIG. 11 is a rear view of the design shown in FIG. 9; FIG. 12 is a top view of the design shown in FIG. 9; FIG. 13 is a bottom view of the design shown in FIG. 9; FIG. 14 is a right side view of the design shown in FIG. 9; FIG. 15 is a left side view of the design shown in FIGS. 9; and, FIG. 16 is a cross-section view taken along 16-16 in FIG. 12 of the design shown in FIG. 9.

The broken lines in the drawings depict portions of the vaporizing cartridge that form no part of the claimed design.

1 Claim, 14 Drawing Sheets



(56)

References Cited

U.S. PATENT DOCUMENTS

D870,373 S *	12/2019	Greenbaum	D27/169
D872,934 S *	1/2020	Powell	D27/163
D874,057 S *	1/2020	Tu	D27/162
D875,302 S *	2/2020	Pan	D27/162
D875,303 S *	2/2020	Pan	D27/162
D875,305 S *	2/2020	Lai	D27/167
D875,306 S *	2/2020	Pan	D27/167
2019/0053542 A1 *	2/2019	Chen	A61M 11/042

* cited by examiner

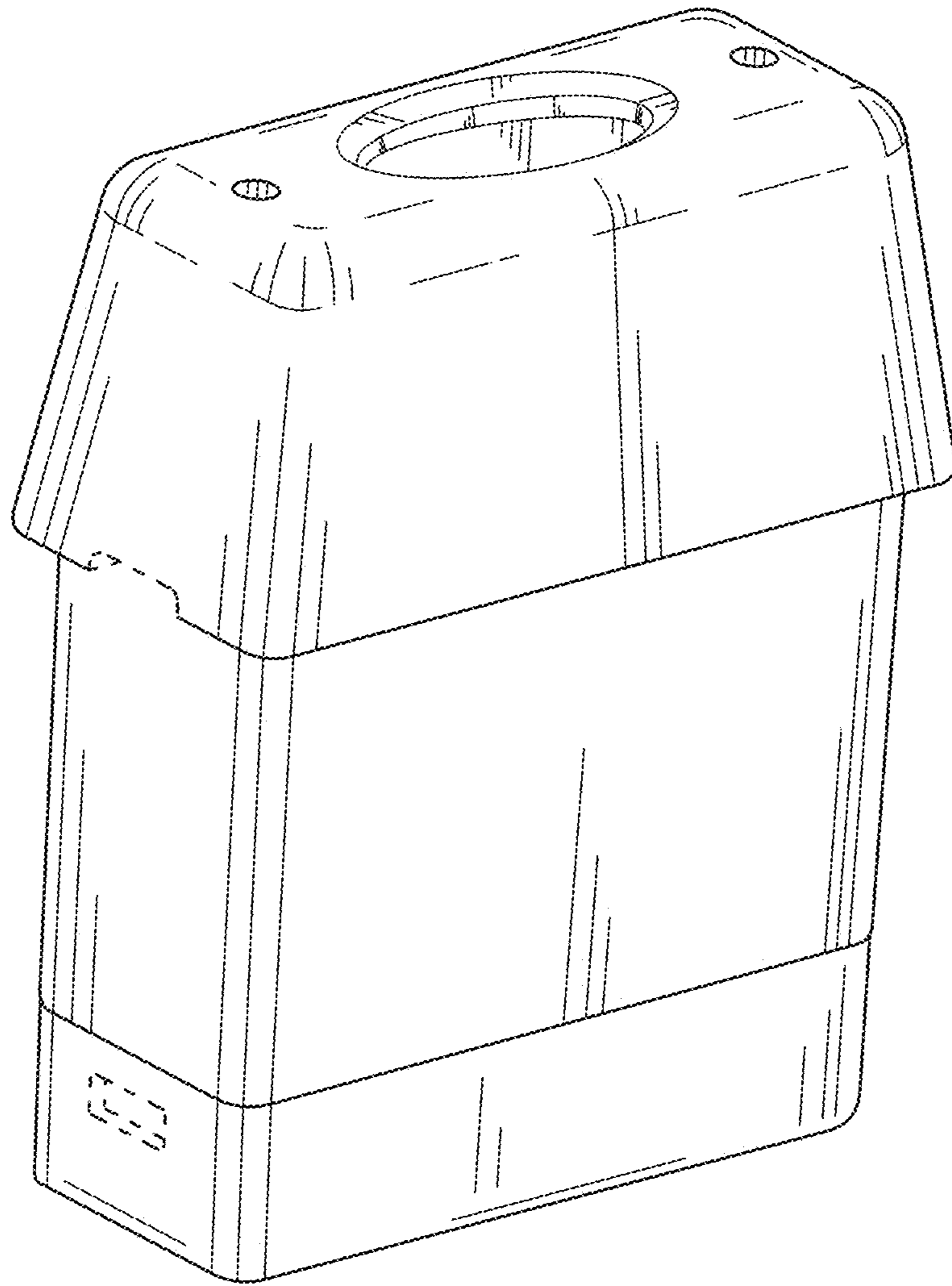


FIG. 1

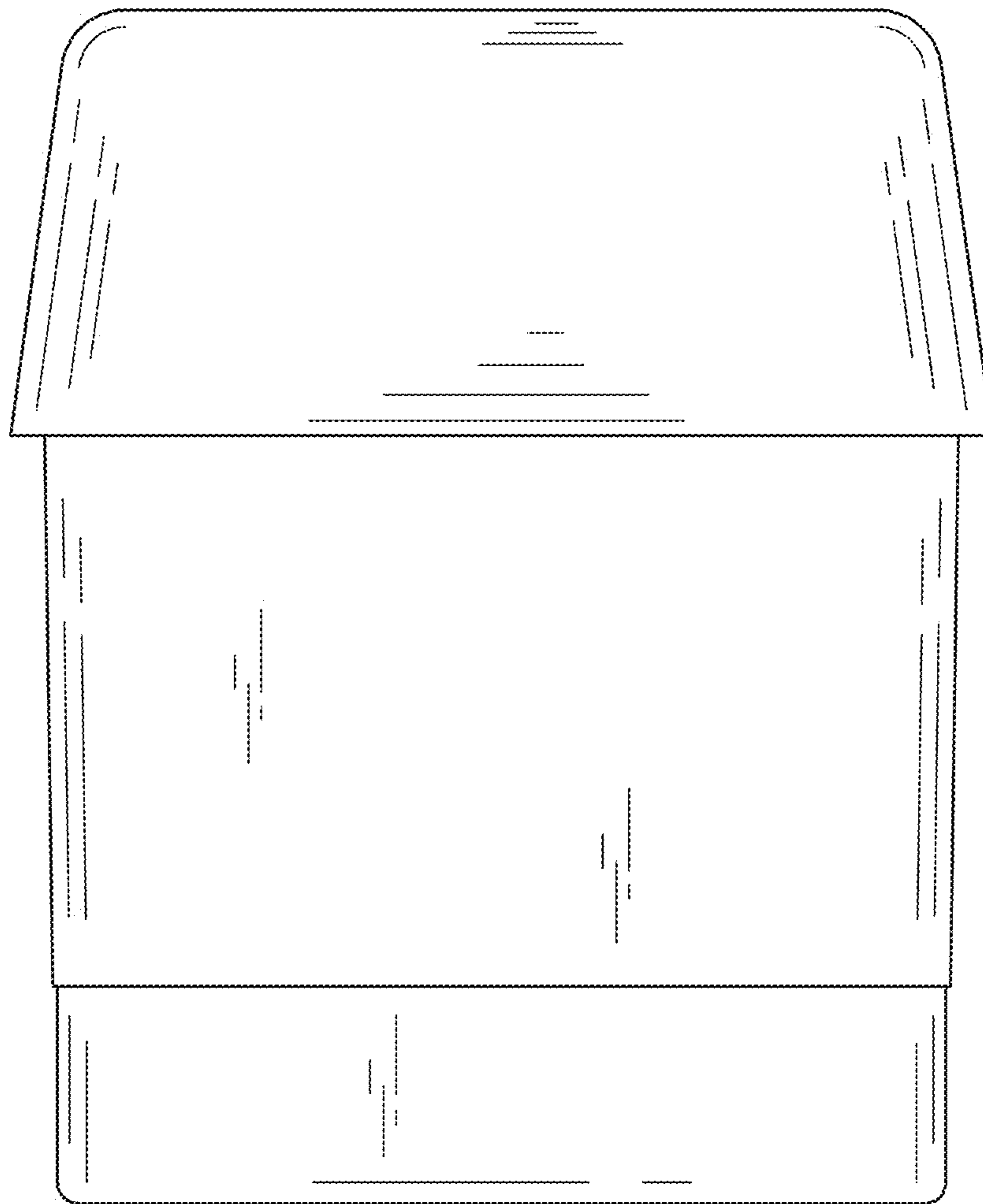


FIG. 2

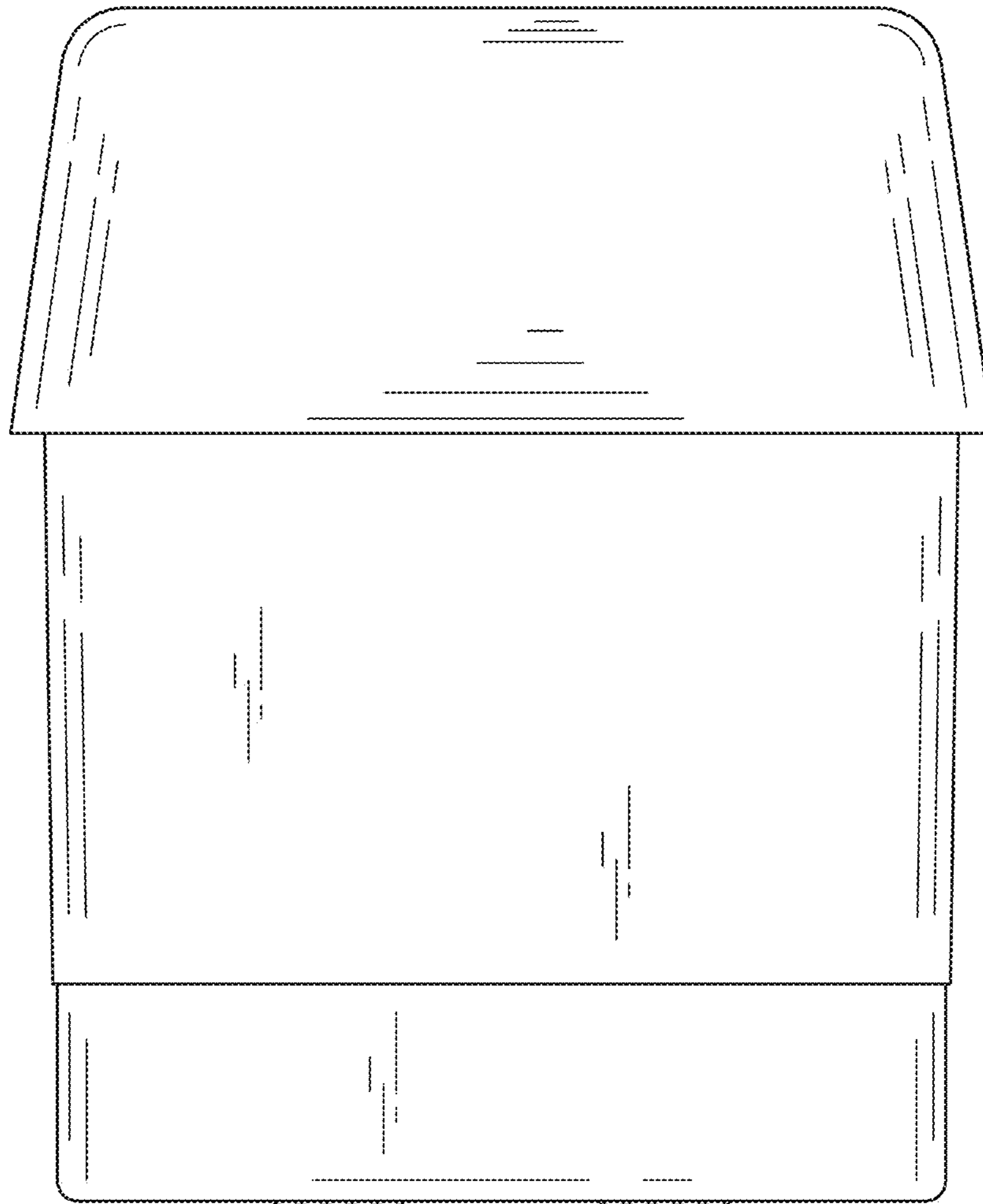


FIG. 3

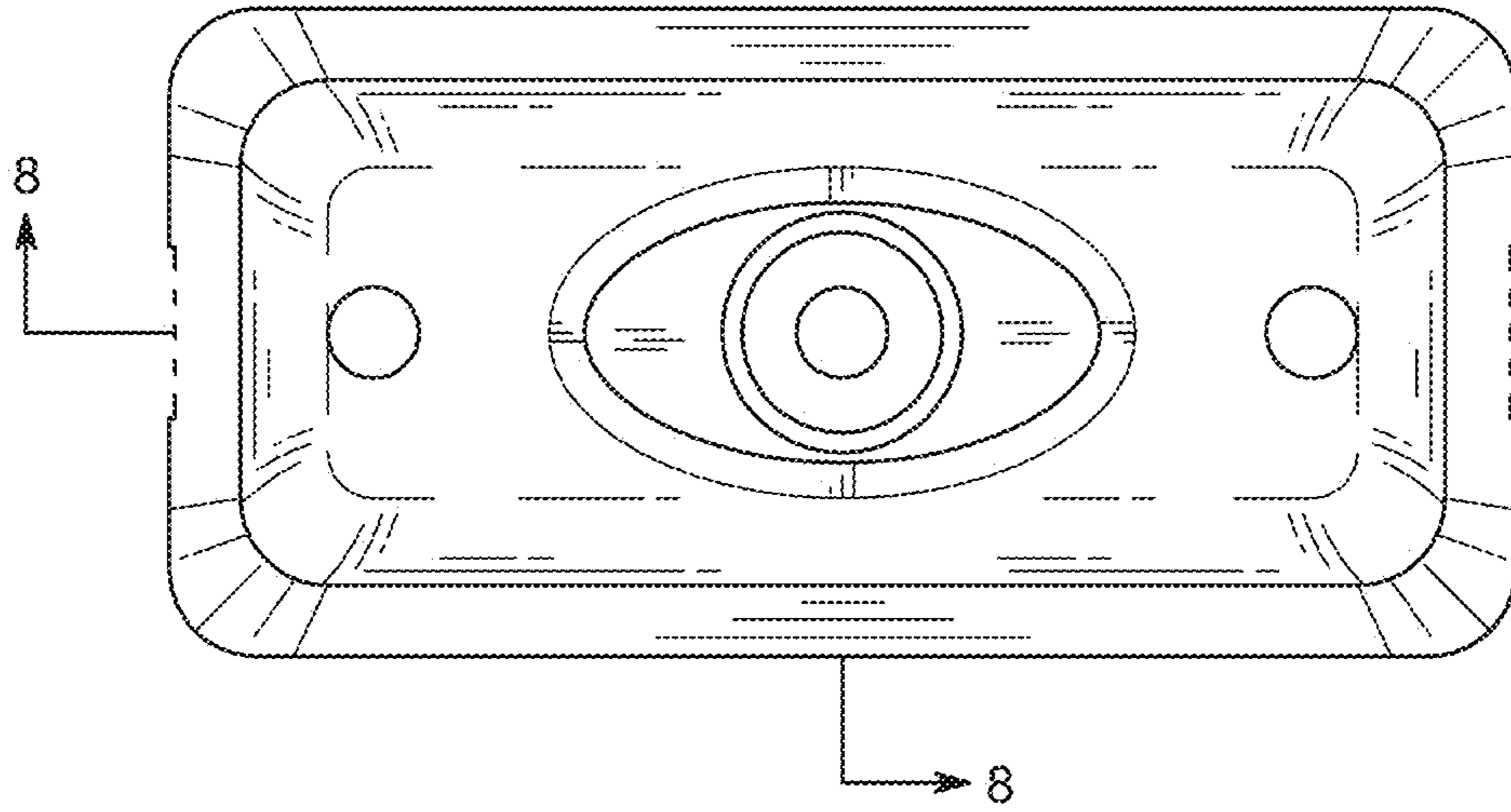


FIG. 4

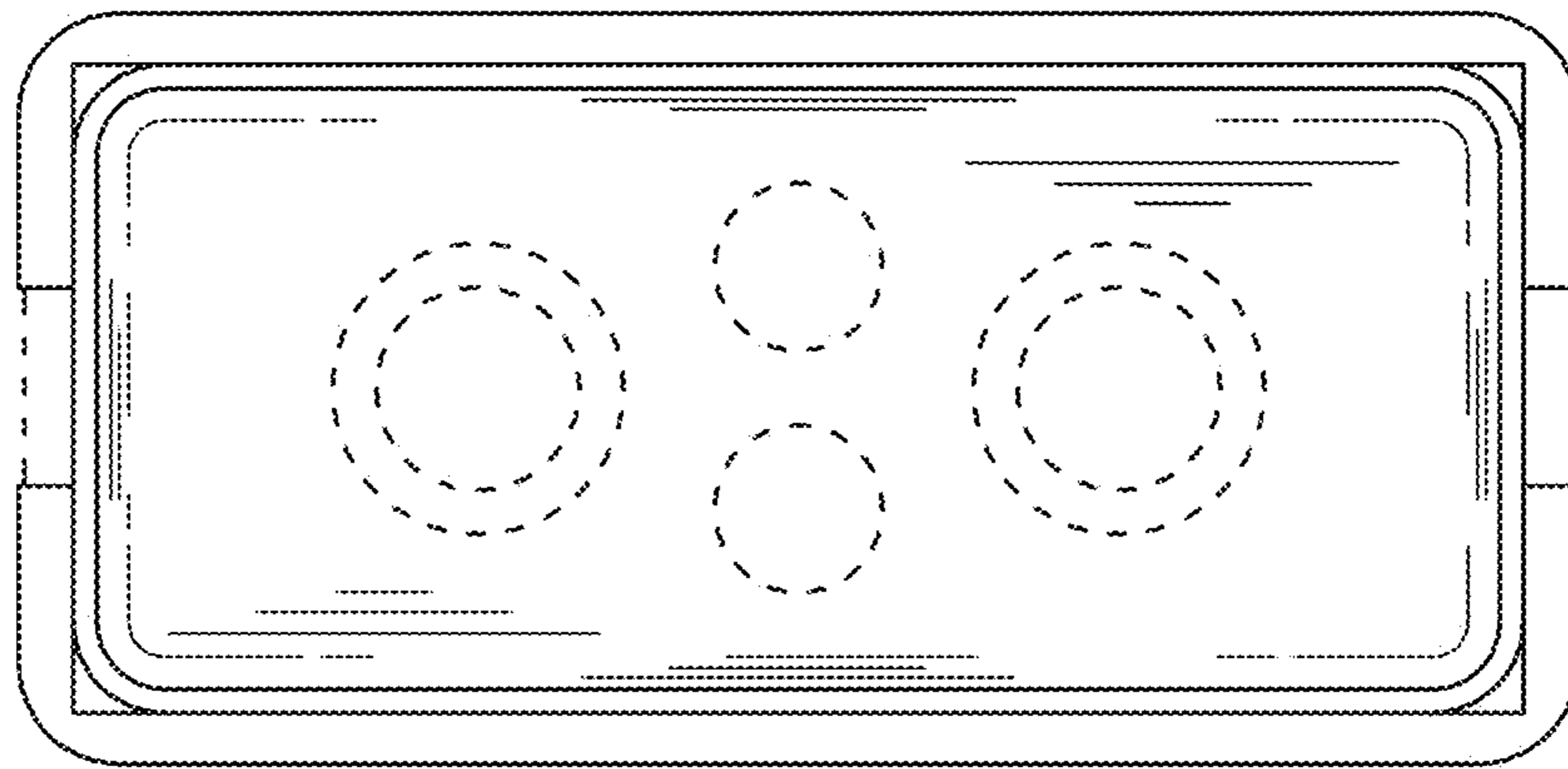


FIG. 5

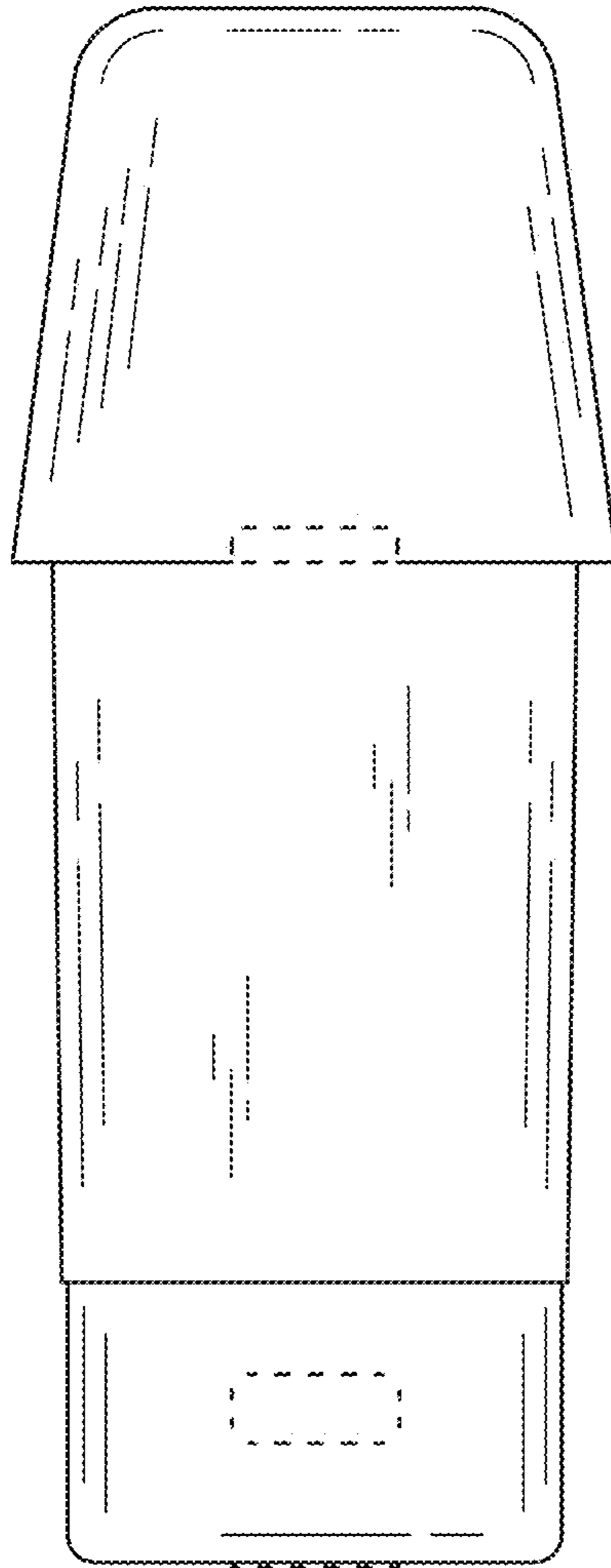


FIG. 6

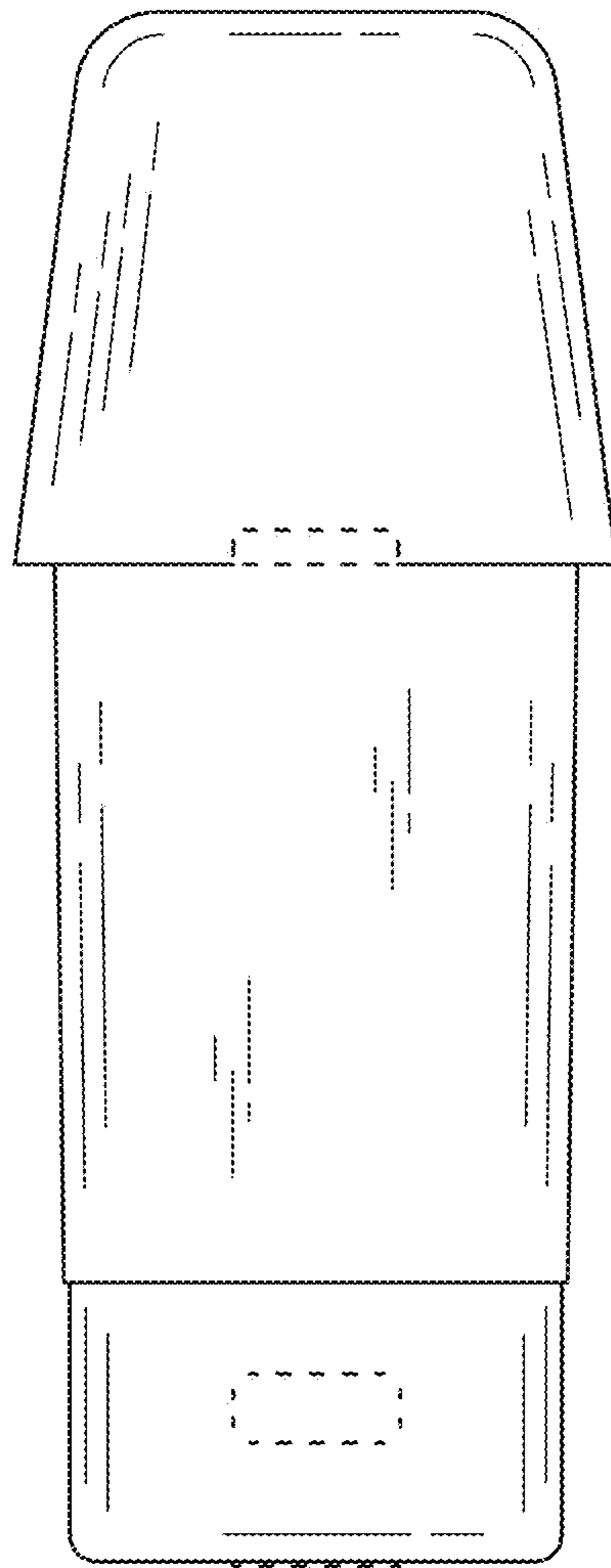


FIG. 7

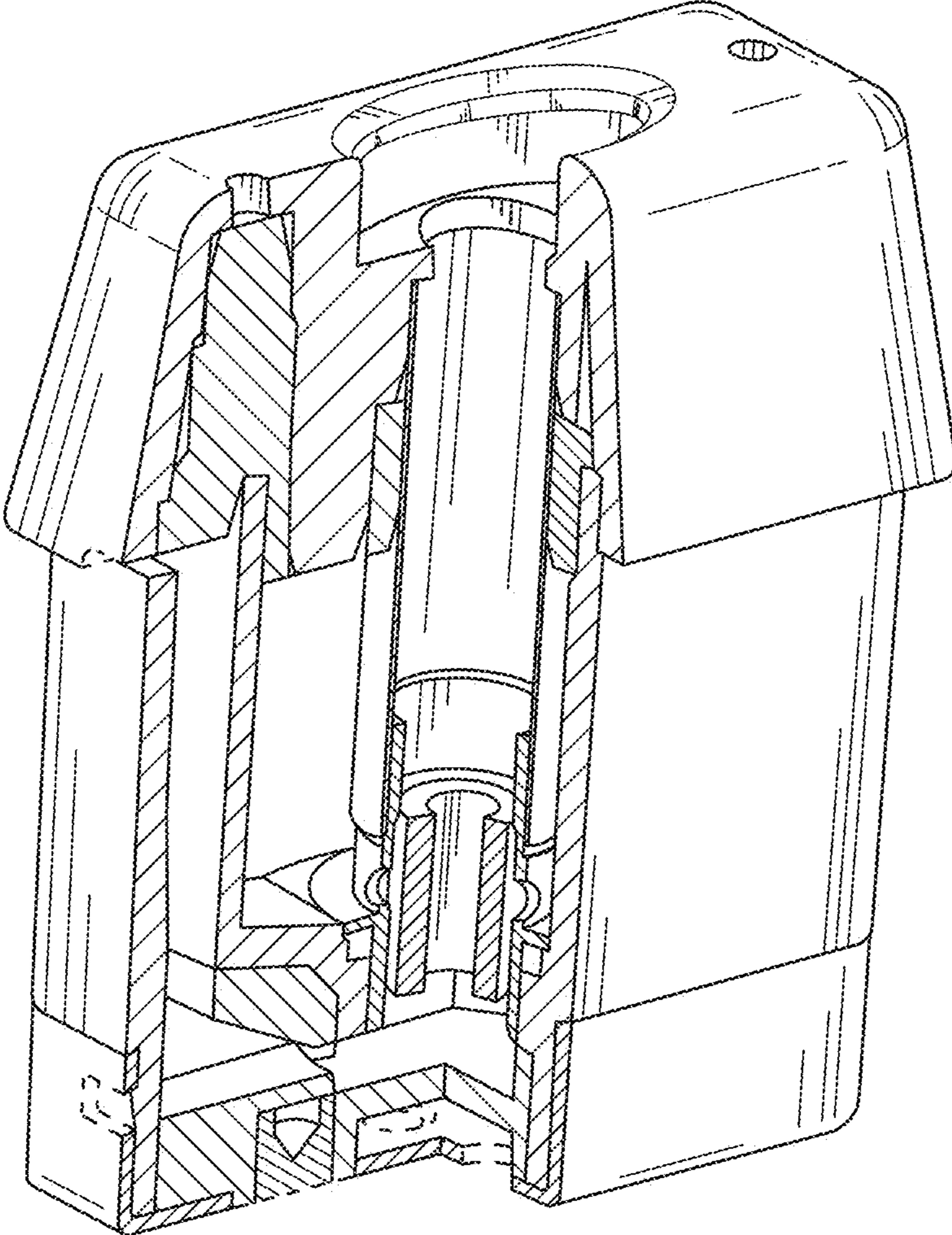


FIG. 8

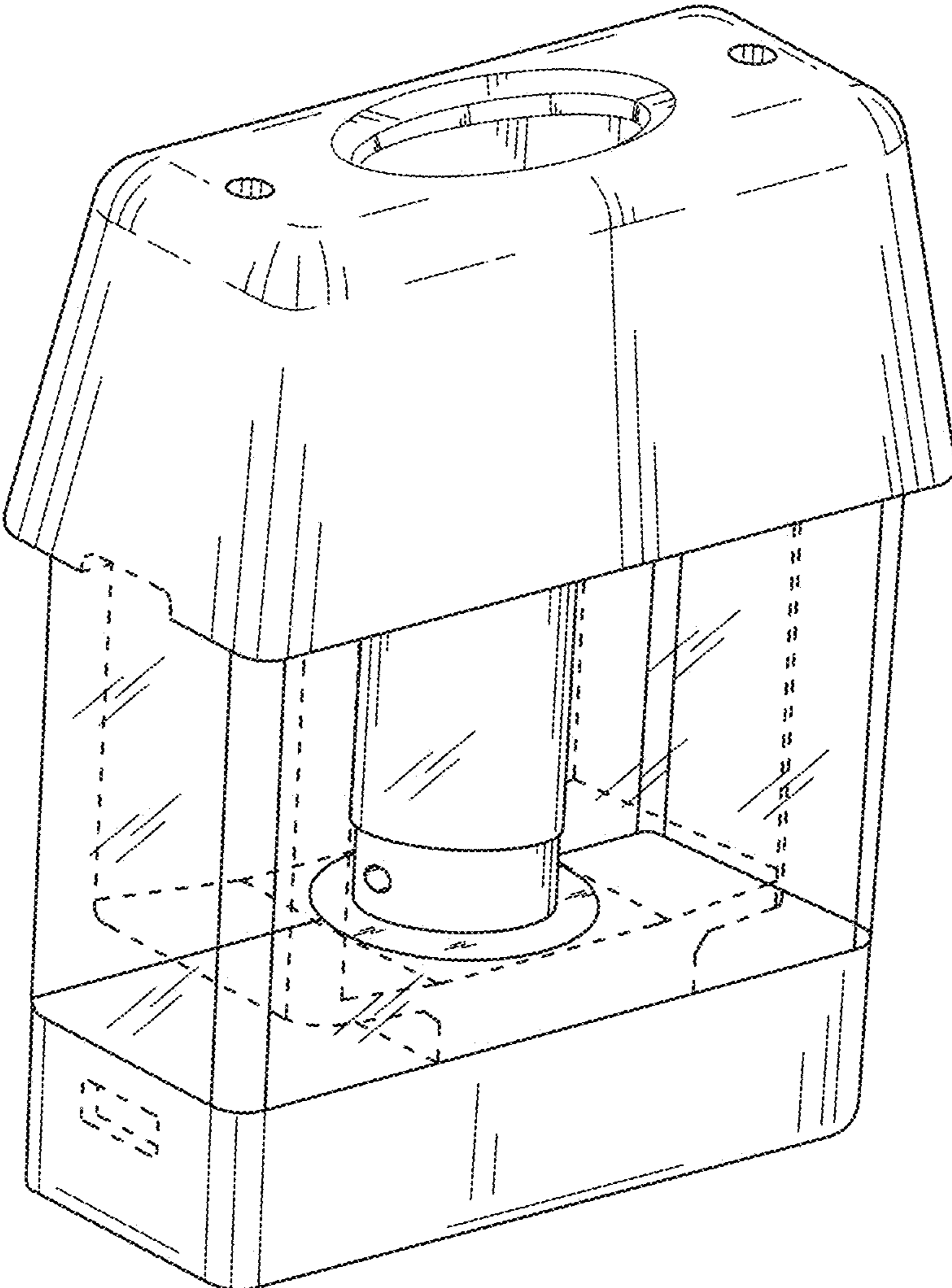


FIG. 9

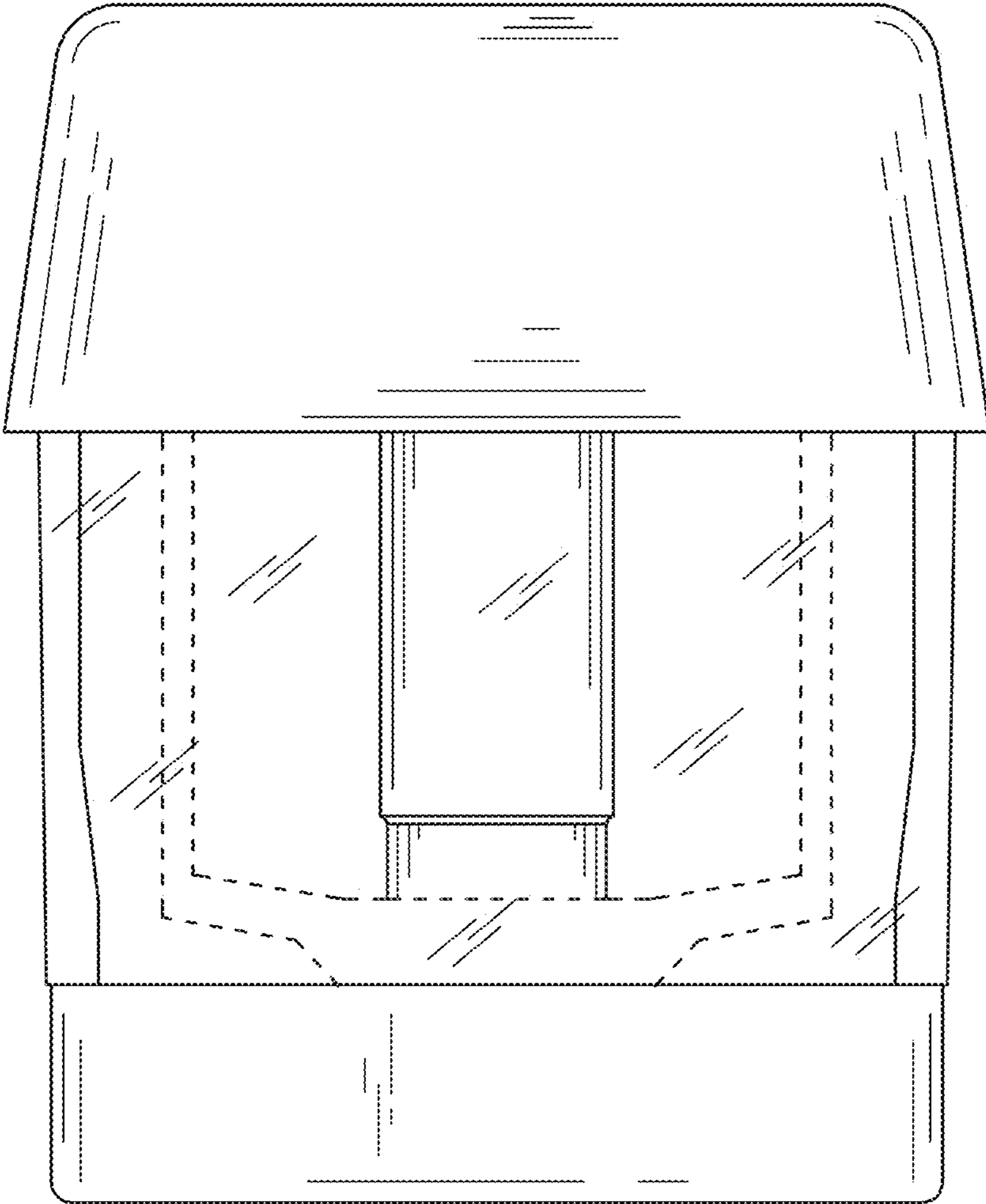


FIG. 10

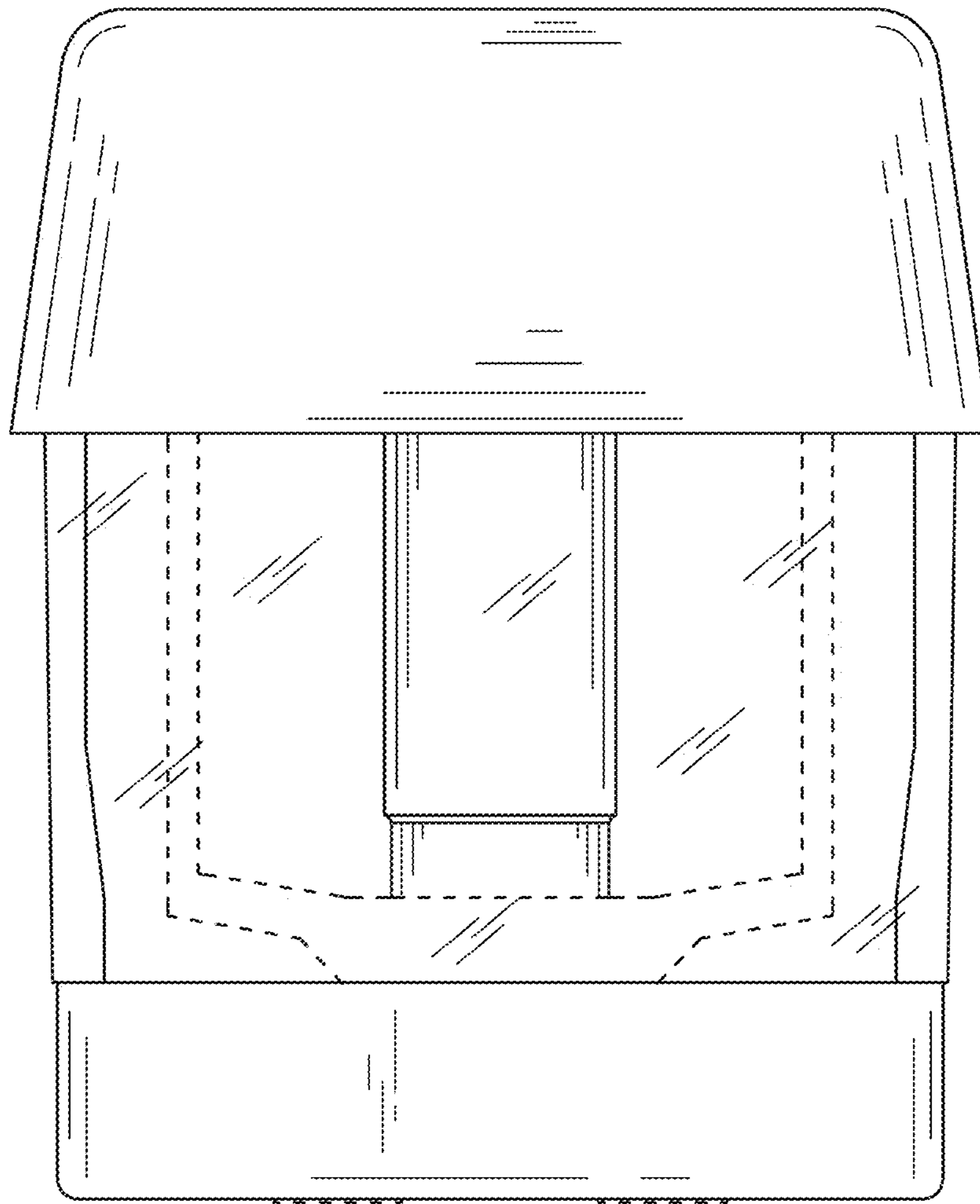


FIG. 11

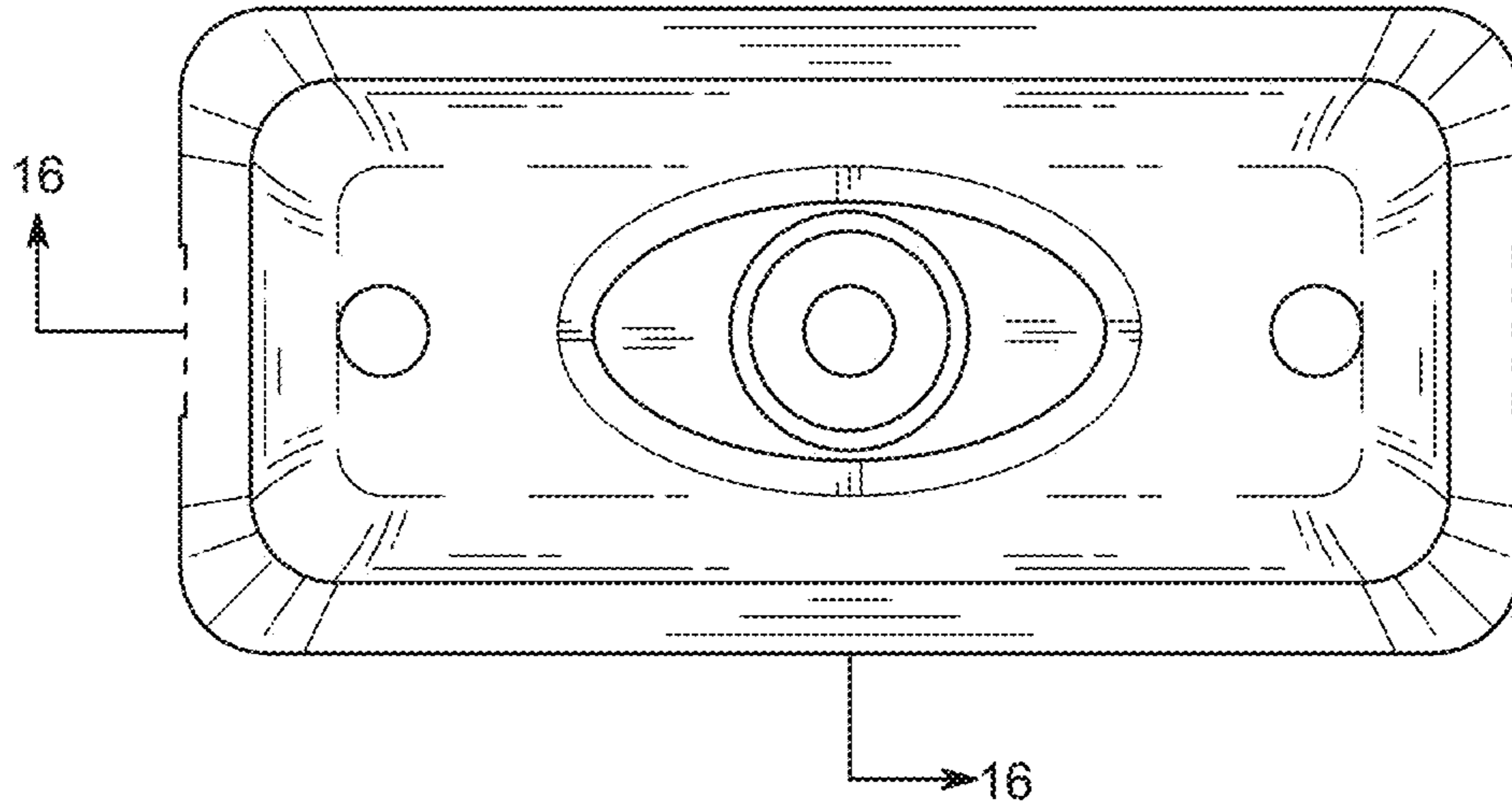


FIG. 12

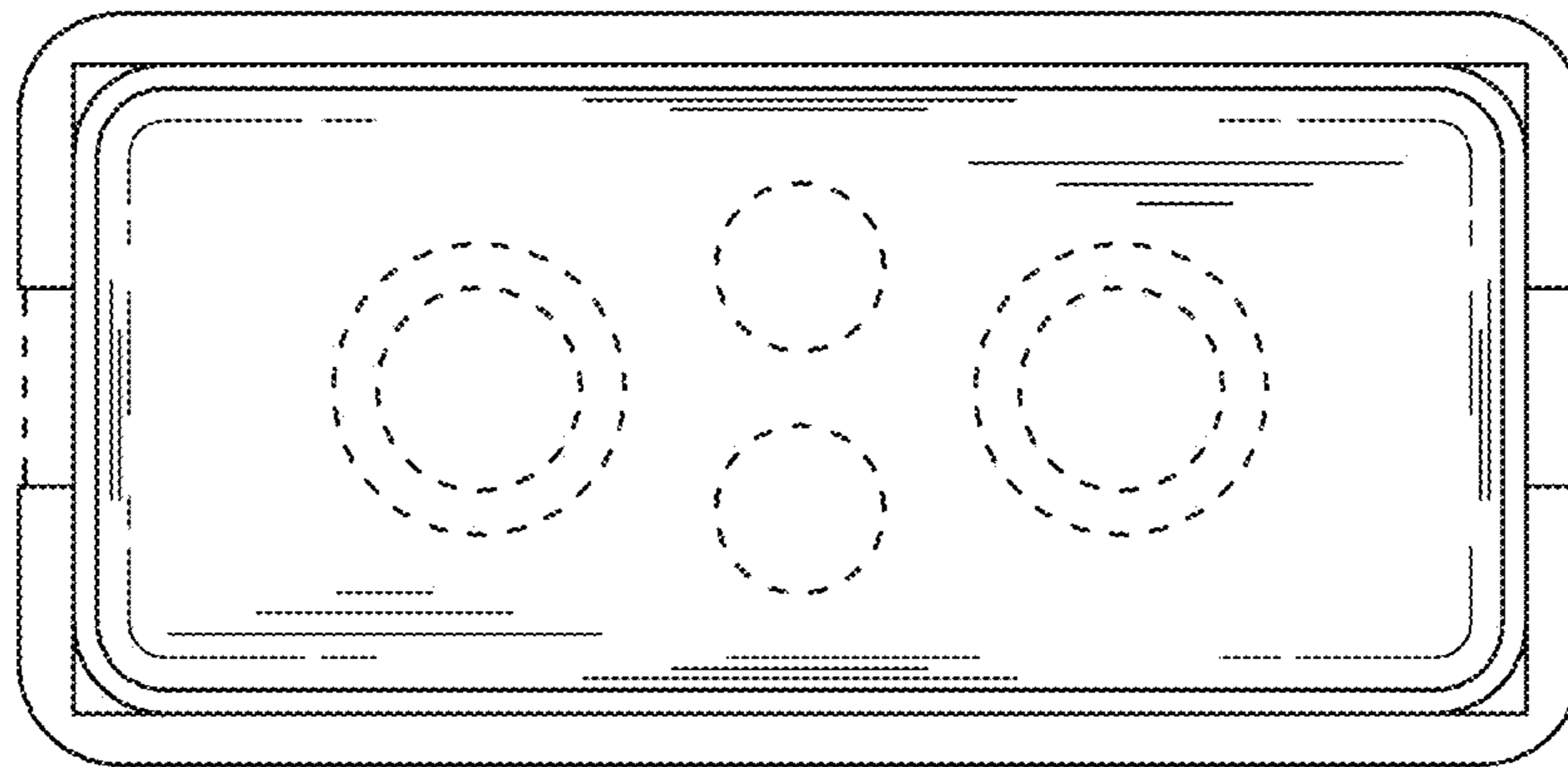


FIG. 13

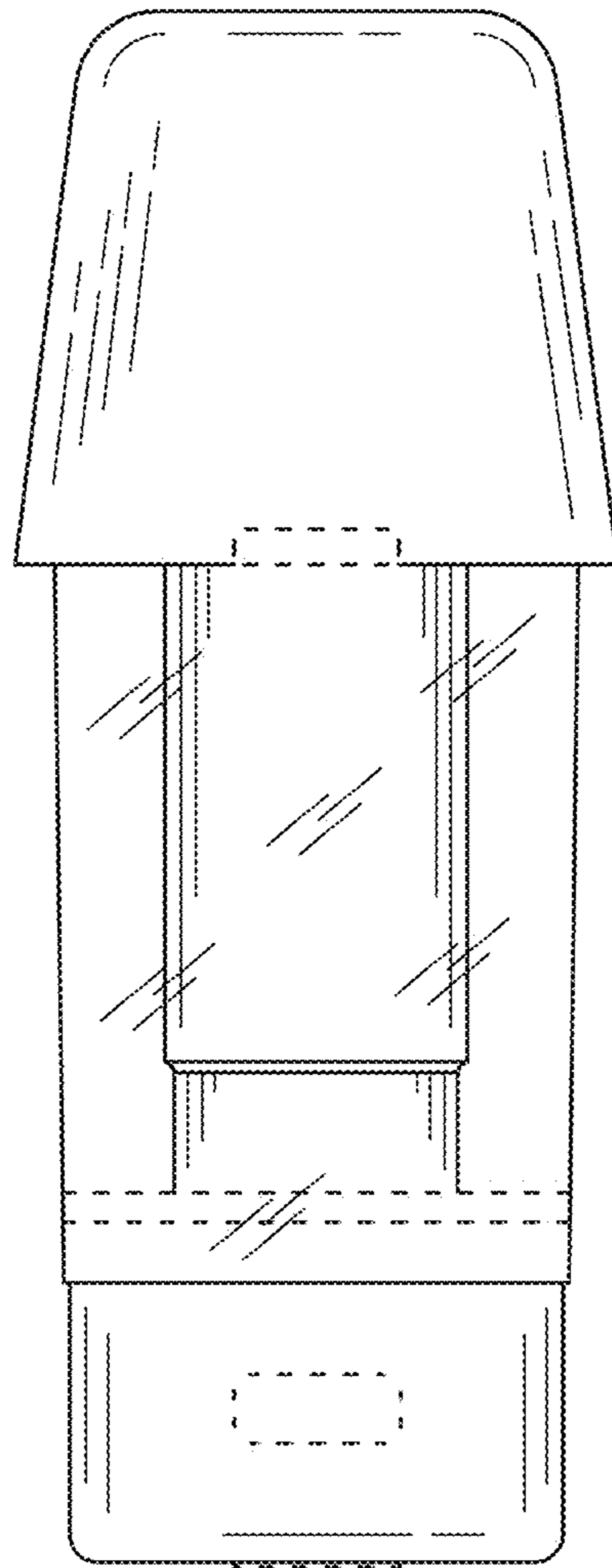


FIG. 14

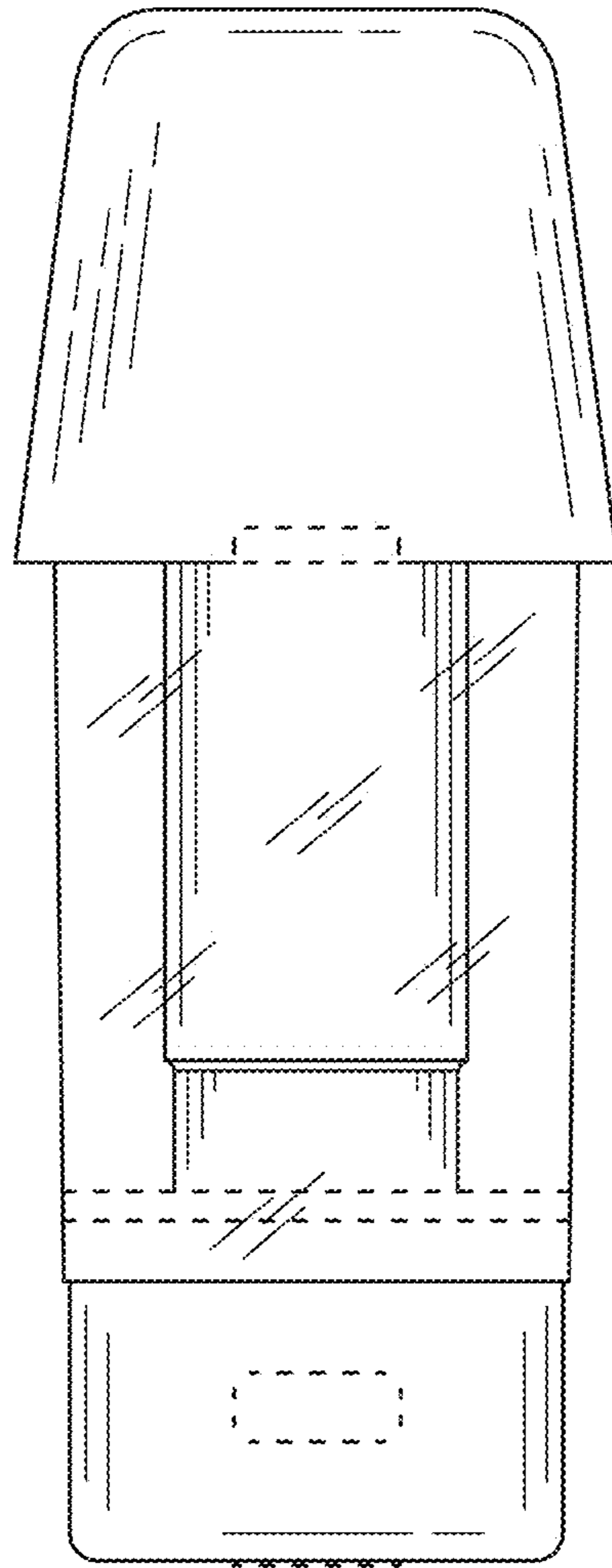


FIG. 15

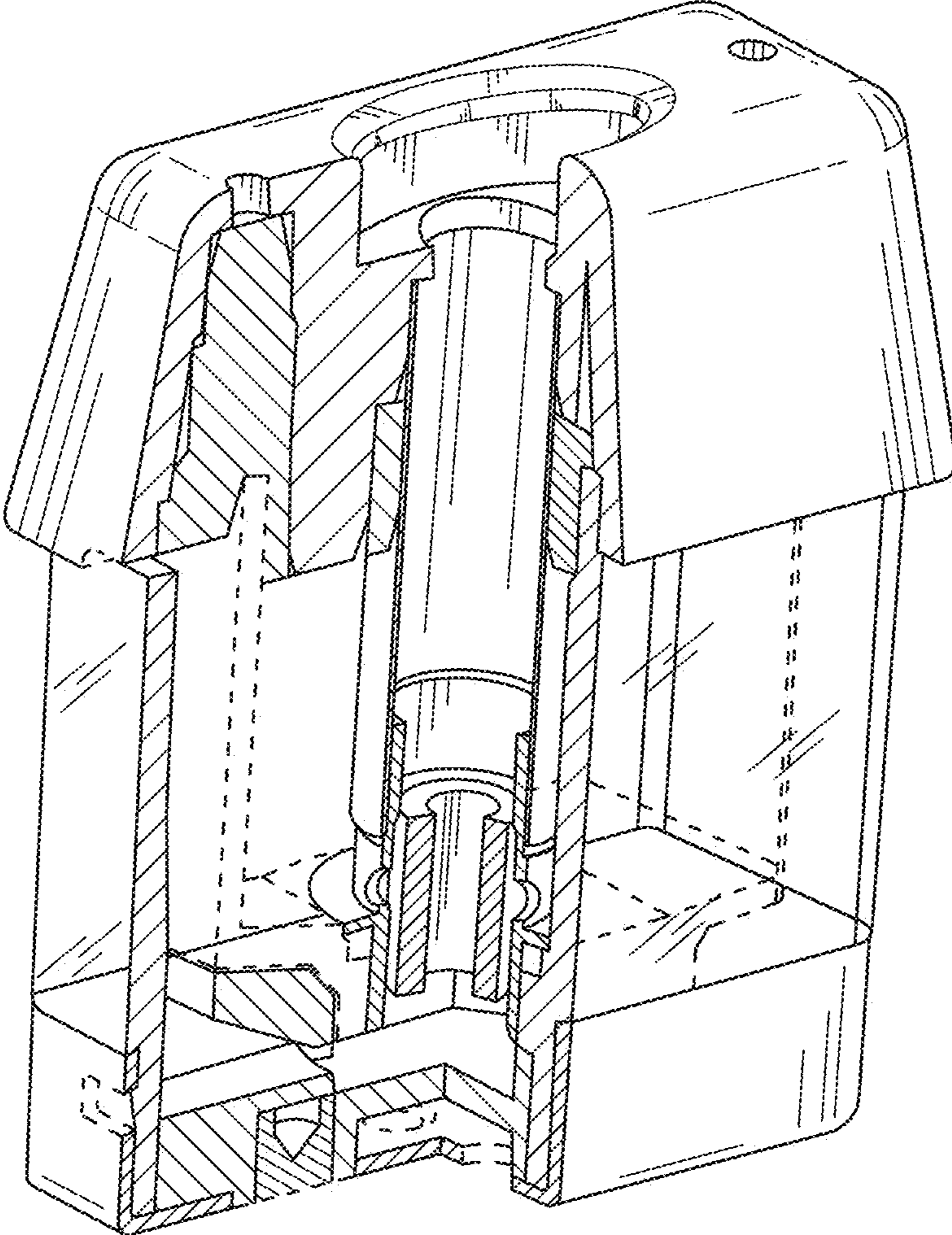


FIG. 16