



US00D898277S

(12) **United States Design Patent** (10) **Patent No.:** **US D898,277 S**
Fu (45) **Date of Patent:** **** *Oct. 6, 2020**

(54) **LANTERN**

(71) Applicant: **RAZ IMPORTS INC.**, Arlington, TX (US)

(72) Inventor: **Chen Kong Fu**, Guangdong (CN)

(73) Assignee: **RAZ IMPORTS, INC.**, Arlington, TX (US)

(*) Notice: This patent is subject to a terminal disclaimer.

(**) Term: **15 Years**

(21) Appl. No.: **29/659,239**

(22) Filed: **Aug. 7, 2018**

(51) **LOC (12) Cl.** **26-99**

(52) **U.S. Cl.**
USPC **D26/156; D26/73**

(58) **Field of Classification Search**
USPC D26/67, 72, 73, 85, 87, 88, 90, 95, 125, D26/147, 156; D11/111, 125, 133, 149, D11/157; D30/111, 112, 125, 126, 108
CPC F21S 8/03; F21S 8/035; F21S 8/036; F21S 8/043; F21S 8/06; F21S 8/061; F21S 8/063; F21S 13/02; F21S 13/04; F21S 13/10; F21V 21/104; F21W 2121/004; F21W 2131/109; G09F 19/02

See application file for complete search history.

(56) **References Cited**

U.S. PATENT DOCUMENTS

D70,188 S *	5/1926	Rosenblatt	D26/73
D73,590 S *	10/1927	Wiese	D26/95
D171,488 S *	2/1954	Borowitz	D26/95
D171,839 S *	3/1954	Borowitz	D26/95
D173,943 S *	2/1955	Gamerdinger	D26/87
D187,135 S *	2/1960	McDonald	D30/126
D234,522 S *	3/1975	Wooster	D30/126

D328,655 S *	8/1992	Embree	D30/124
D477,434 S *	7/2003	Ohai	D26/73
D477,890 S *	7/2003	Cheong	D26/67
6,691,641 B2 *	2/2004	Scalf	A01K 39/012 119/429
D663,063 S *	7/2012	Yang	D26/67
D664,717 S *	7/2012	Sabie	D30/112
D681,284 S *	4/2013	Tu	D30/126

OTHER PUBLICATIONS

Barn Shaped Lantern Lighted Christmas Snow Globe with Swirling Glitter by RAZ Imports Seasonal at amazon.com as early as Jan. 12, 2020. (Year: 2020).*
Wood/Metal Barn Lantern Model #74566 at homedepot.com, visited Mar. 26, 2020. (Year: 2020).*
13.5" Illuminated Barn-Shaped Lantern by Valerie on QVC. Posted on youtube.com Jan. 20, 2020. (Year: 2020).*

(Continued)

Primary Examiner — Clare E Heflin

(74) *Attorney, Agent, or Firm* — Polsinelli PC

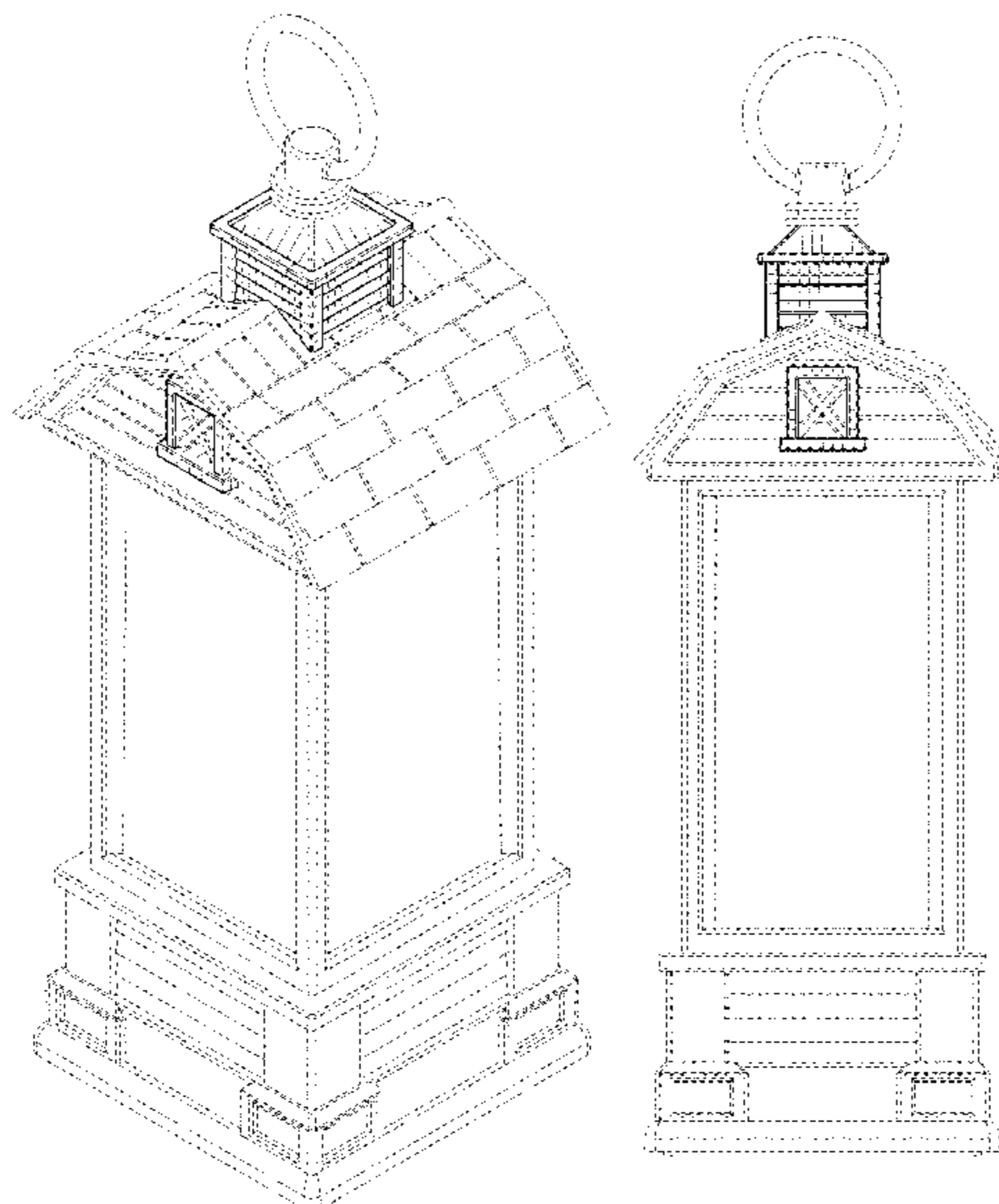
(57) **CLAIM**

I claim the ornamental design for a lantern, as shown and described.

DESCRIPTION

FIG. 1 is a perspective view of a lantern, showing my new design;
FIG. 2 is a left side elevational view thereof;
FIG. 3 is a right side elevational view thereof;
FIG. 4 is a front elevational view thereof;
FIG. 5 is a rear elevational view thereof;
FIG. 6 is a top plan view thereof; and,
FIG. 7 is a bottom plan view thereof.
Dashed broken lines are for illustrating unclaimed portions of the lantern and/or for illustrating an environment related to the claimed design; the broken lines form no part of the claimed design.

1 Claim, 4 Drawing Sheets



(56)

References Cited

OTHER PUBLICATIONS

Heirloom Christmas Barn Advent Calendar, Item # 61448 at overstock.com, visited Mar. 26, 2020. (Year: 2020).*

Tradional Santa Water Lantern/ Lighted Christmas Snow Globe by RAZ Imports Seasonal, at amazon.com as early as Nov. 27, 2019. (Year: 2019).*

* cited by examiner

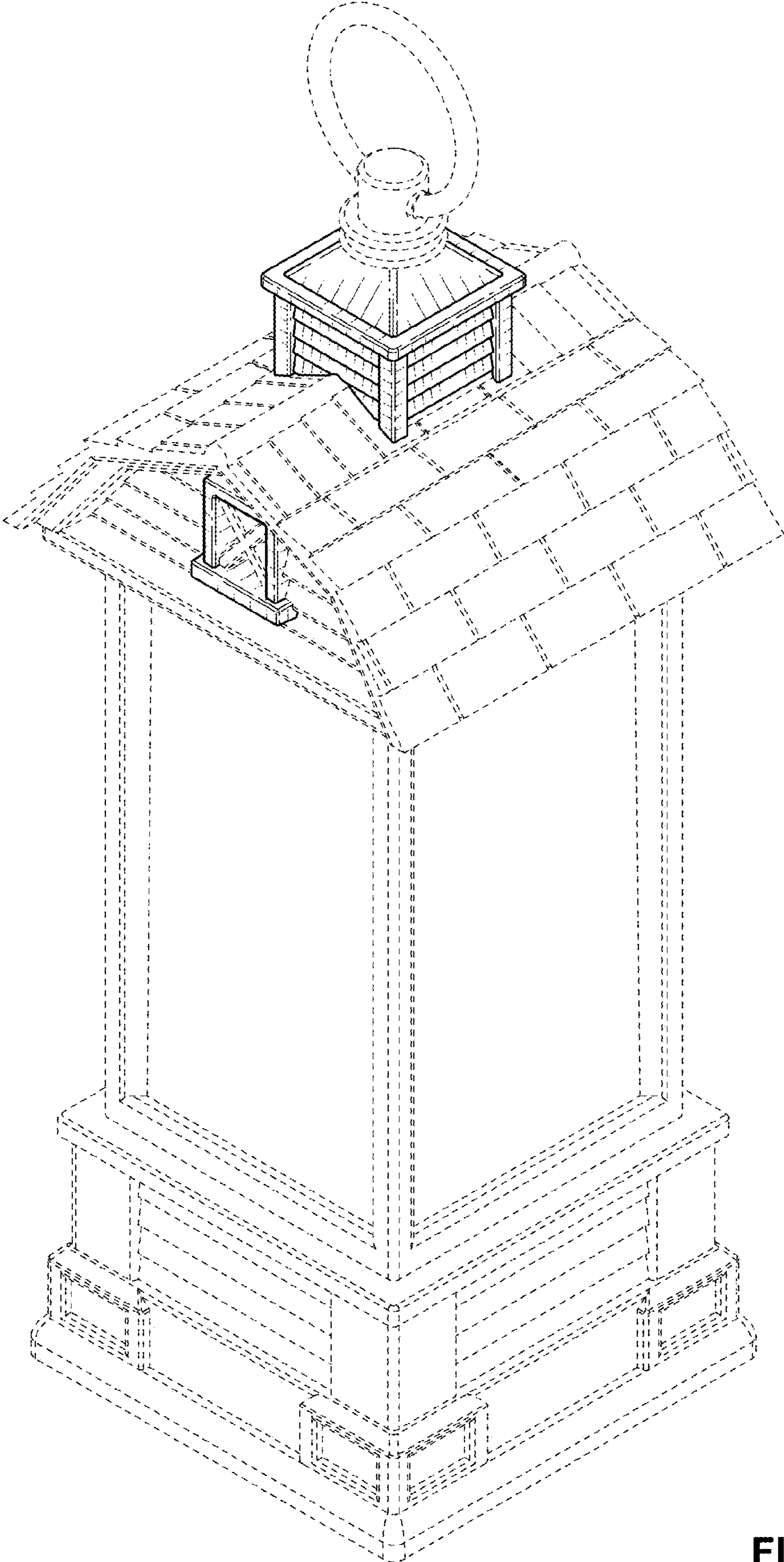


FIG. 1

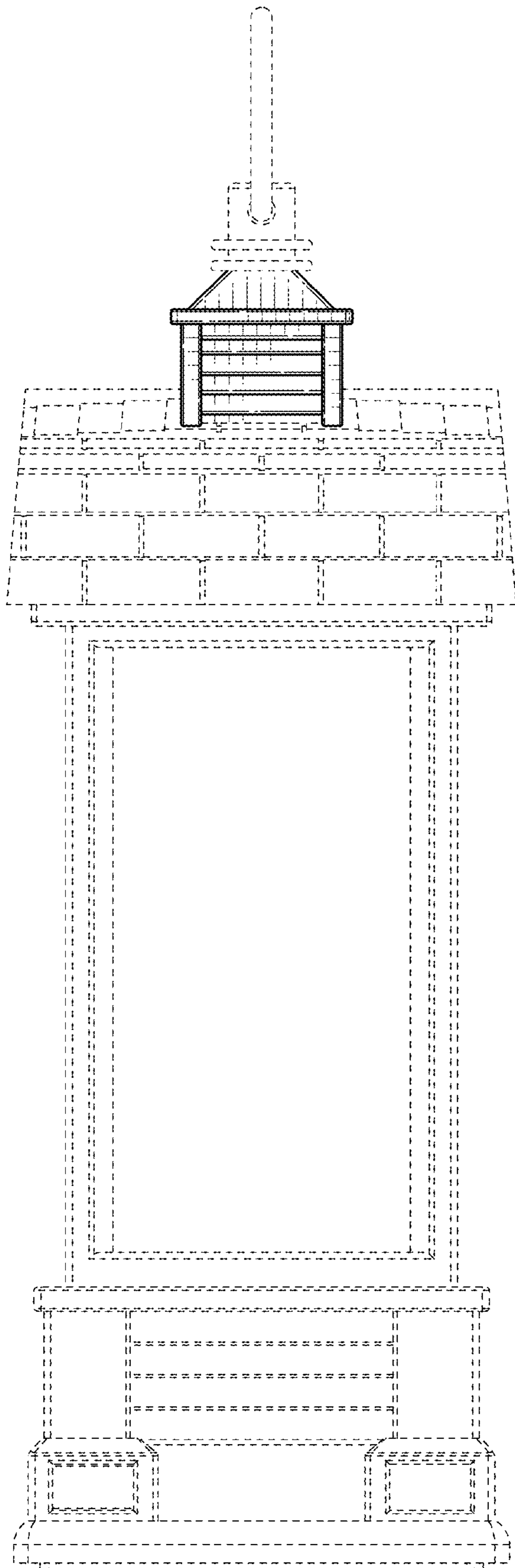


FIG. 2

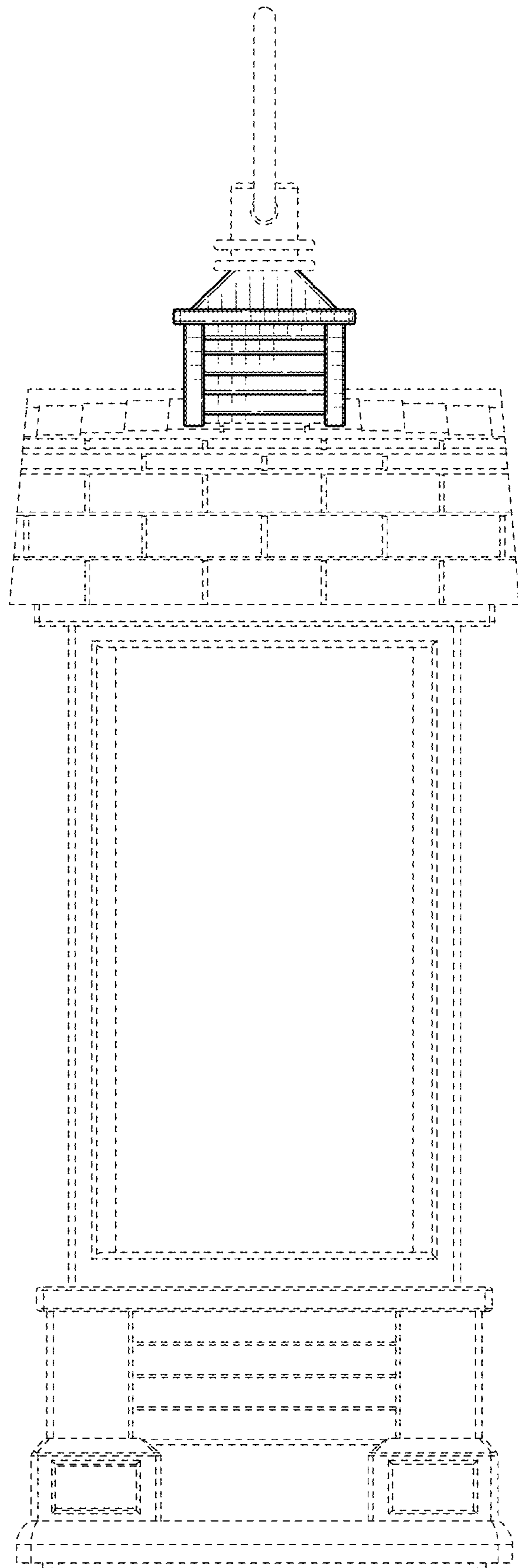


FIG. 3

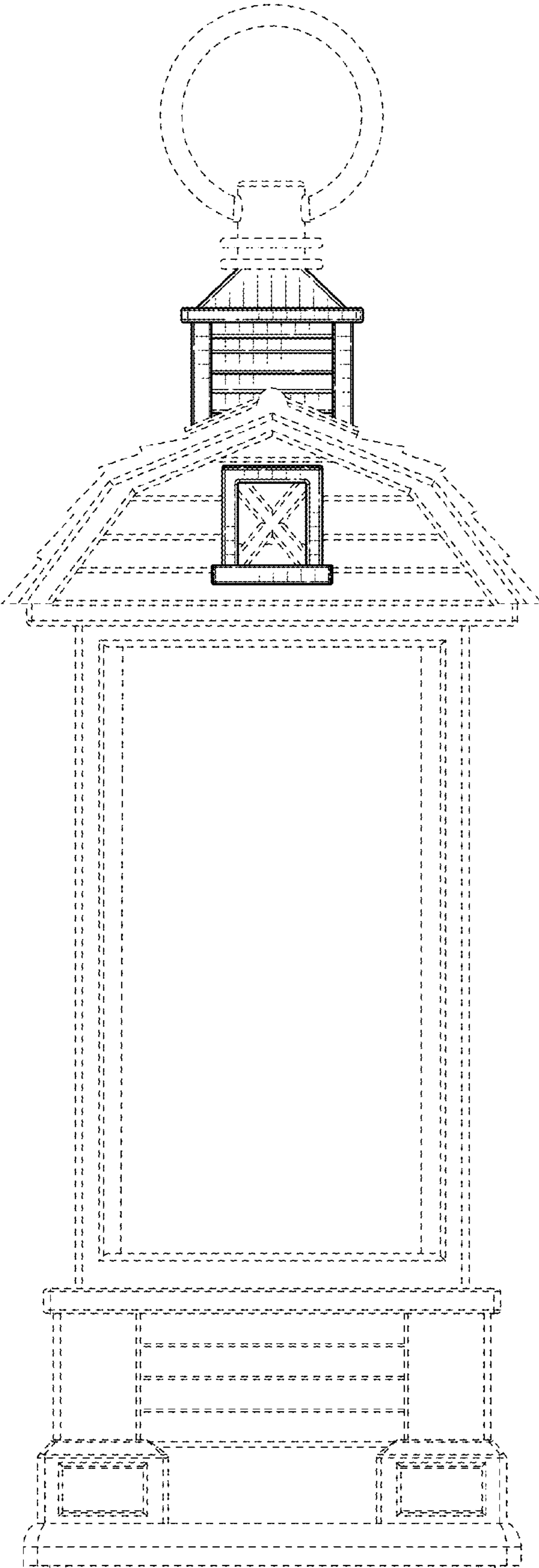


FIG. 4

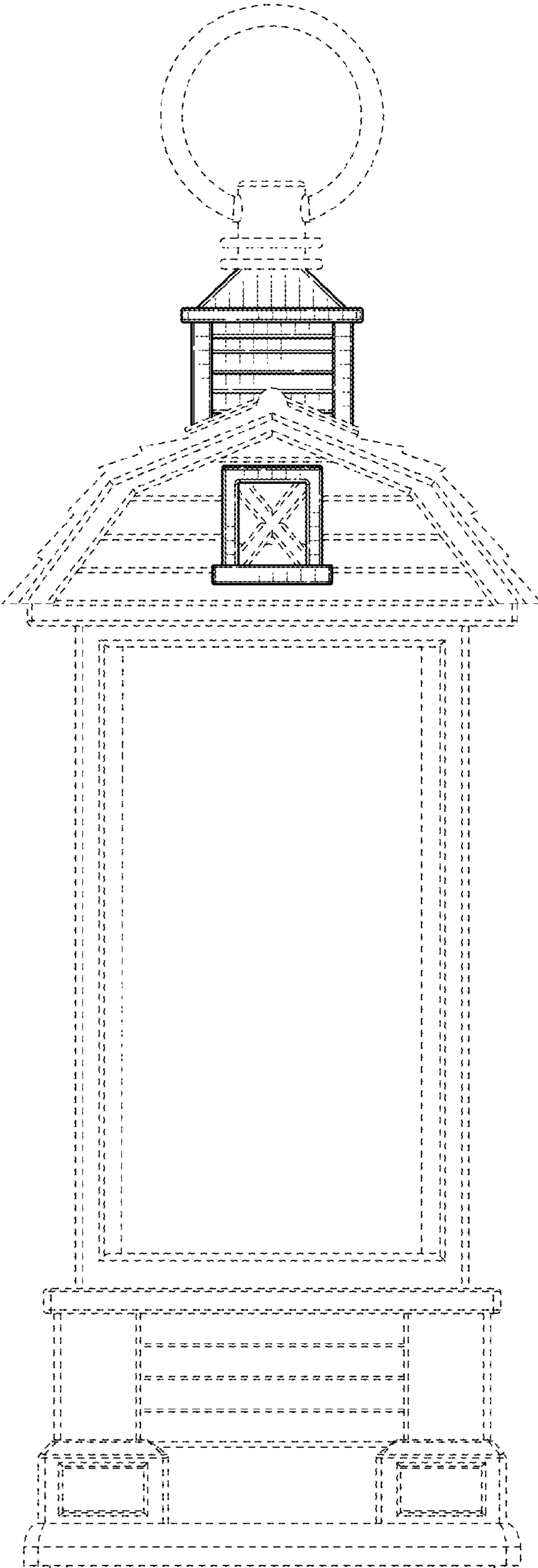


FIG. 5

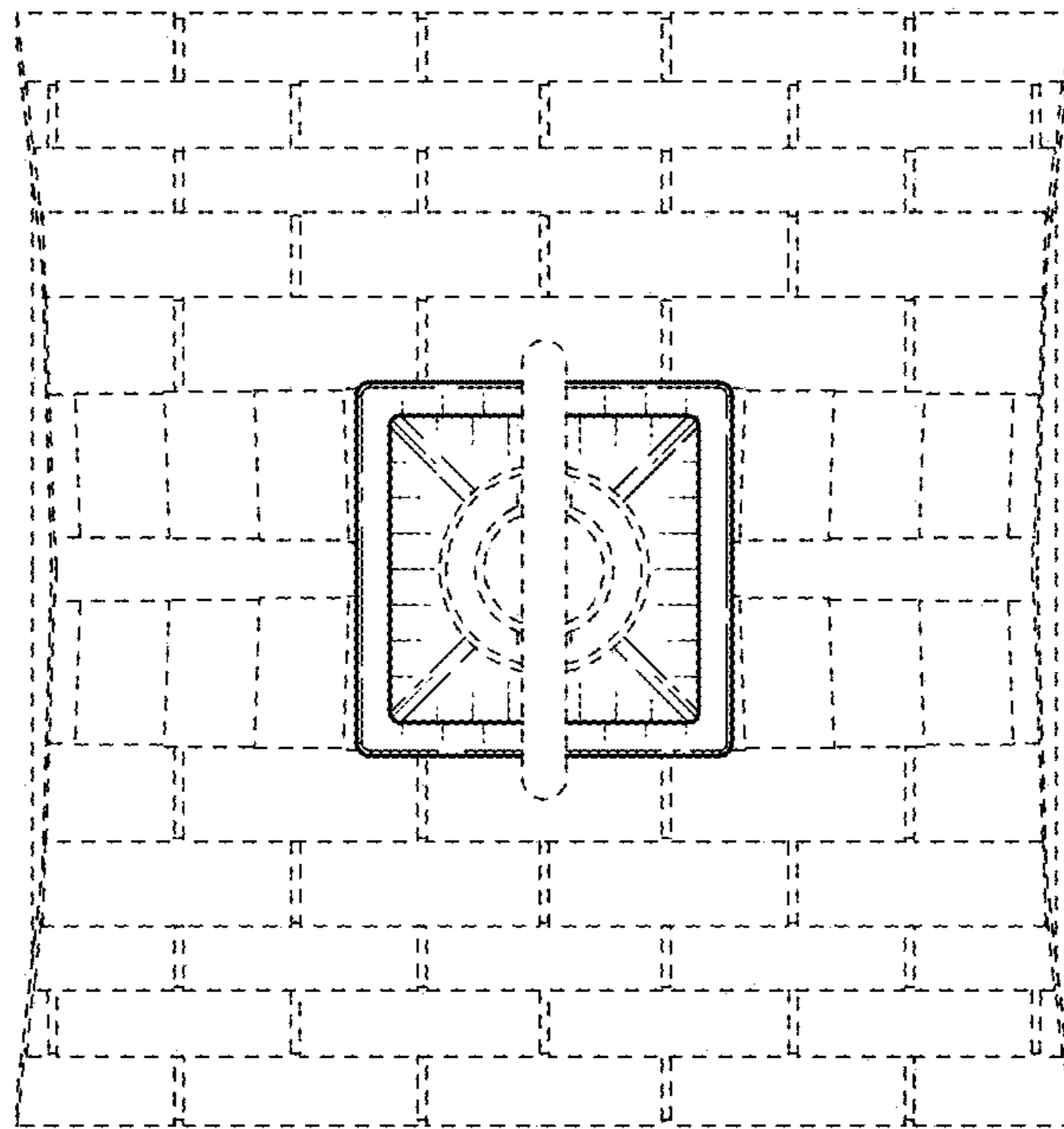


FIG. 6

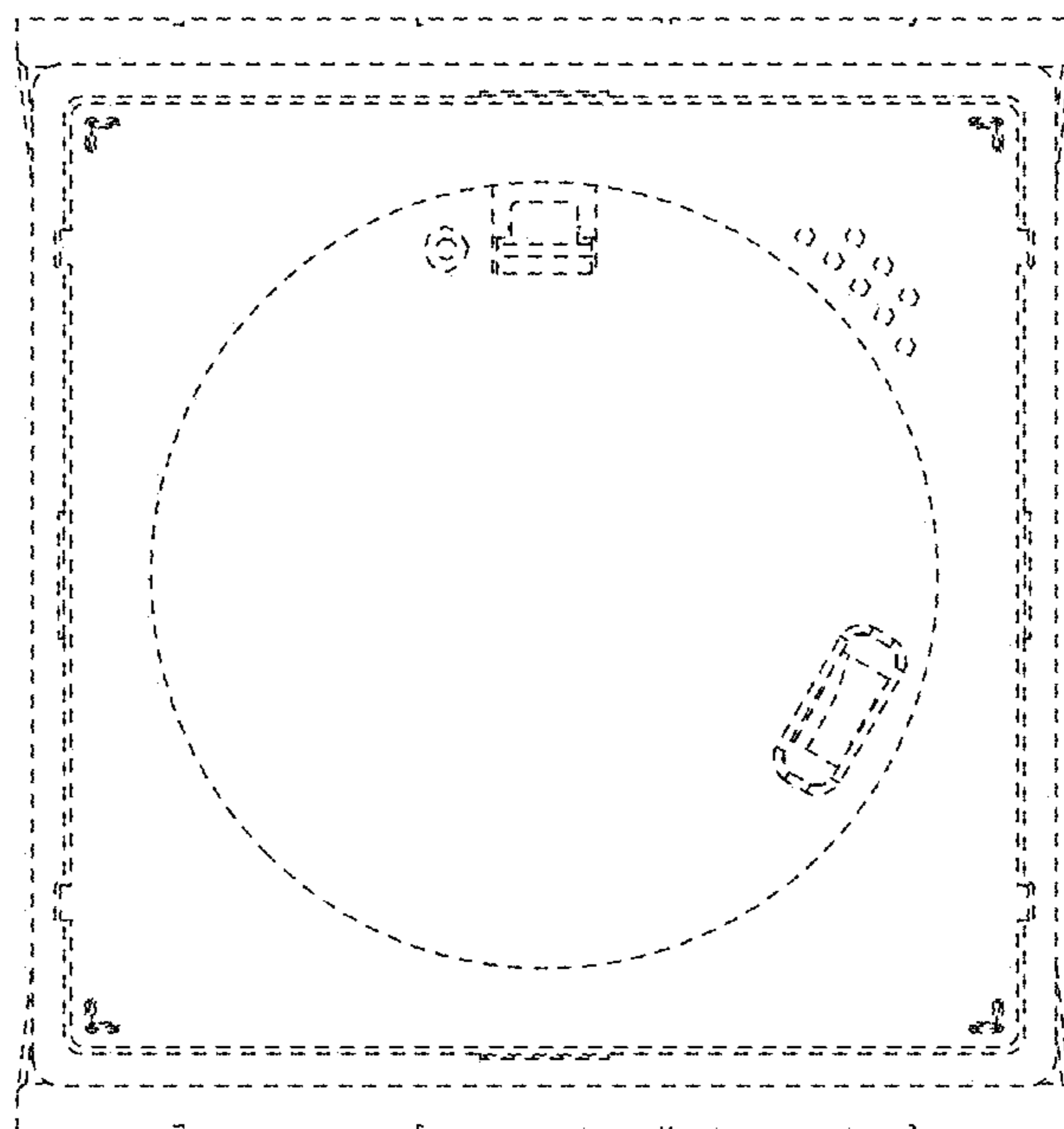


FIG. 7