



US00D898270S

(12) **United States Design Patent**  
**Shao**

(10) **Patent No.:** **US D898,270 S**  
(45) **Date of Patent:** **\*\* Oct. 6, 2020**

- (54) **TABLE LAMP**
- (71) Applicant: **DESIGN IDENTIFICATION PTE, LTD.,** Singapore (SG)
- (72) Inventor: **Yimeng Shao,** Singapore (SG)
- (73) Assignee: **DESIGN IDENTIFICATION PTE., LTD.,** Singapore (SG)
- (\*\*) Term: **15 Years**
- (21) Appl. No.: **29/677,401**
- (22) Filed: **Jan. 19, 2019**
- (51) **LOC (12) Cl.** ..... **26-03**
- (52) **U.S. Cl.**  
USPC ..... **D26/101**
- (58) **Field of Classification Search**  
USPC ..... D26/93, 94, 101, 107, 108; D11/118, D11/158  
CPC .. F21S 6/00; F21S 6/002; A41G 1/007; F21V 1/24; F21V 1/00; F21V 1/02; F21V 1/12; F21V 1/20; F21V 1/22  
See application file for complete search history.

- 5,962,088 A \* 10/1999 Tanaka ..... A41G 1/007 428/18
- D505,638 S \* 5/2005 Tabor ..... D11/118
- D507,989 S \* 8/2005 Lamb ..... D11/118
- D744,151 S \* 11/2015 Wu ..... D26/101

\* cited by examiner

*Primary Examiner* — Brian N. Vinson  
(74) *Attorney, Agent, or Firm* — Law Offices of Steven W. Weinrieb

(57) **CLAIM**

The ornamental design for a table lamp, as shown and described.

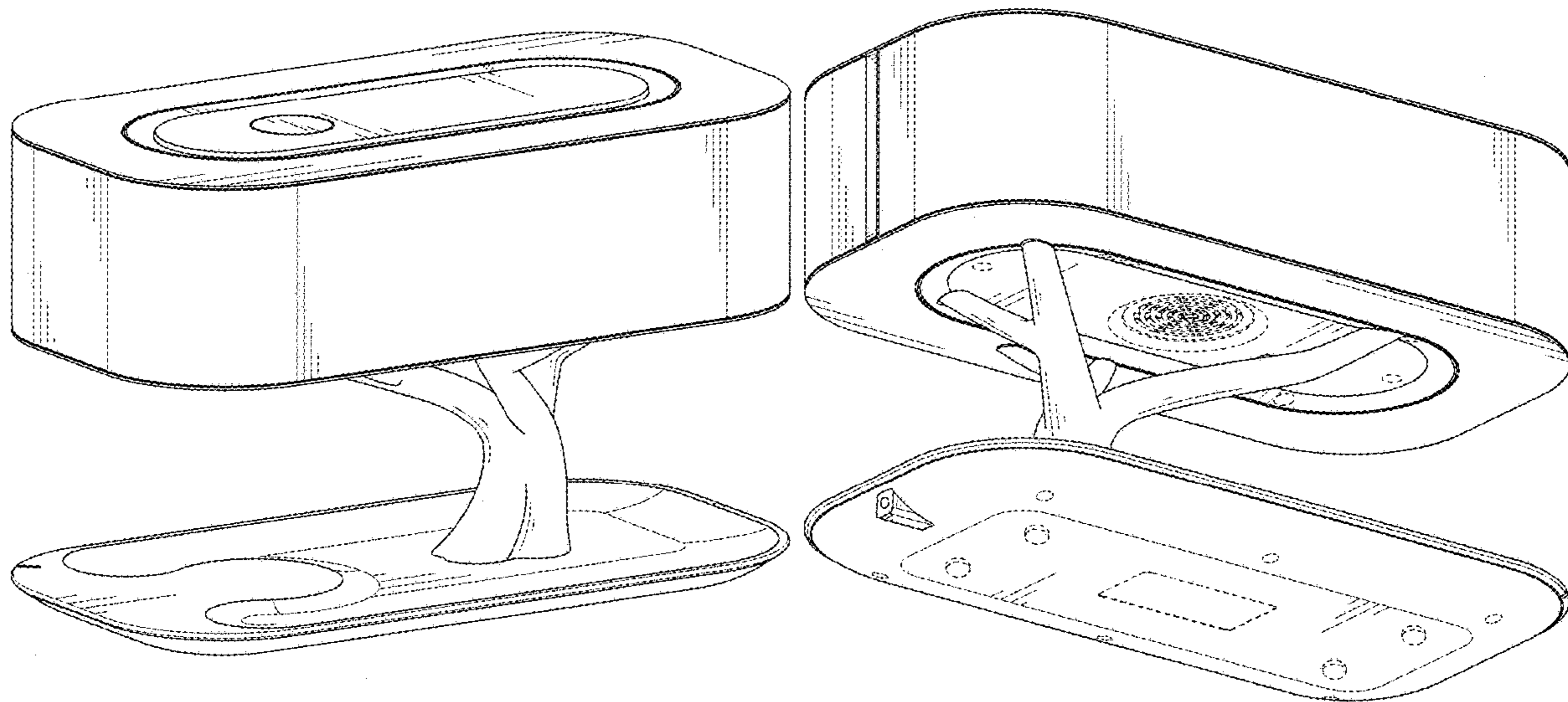
**DESCRIPTION**

FIG. 1 is a front, left side, top perspective view of a table lamp showing my new design;  
 FIG. 2 is a rear, right side, bottom perspective view thereof;  
 FIG. 3 is a front elevational view;  
 FIG. 4 is a rear elevational view thereof;  
 FIG. 5 is a left side elevational view thereof;  
 FIG. 6 is a right side elevational view thereof;  
 FIG. 7 is a top plan view thereof; and,  
 FIG. 8 is a bottom plan view, thereof.

The broken lines immediately adjacent to claimed portions represents and unclaimed boundary between claimed and unclaimed surfaces, and the remainder of the broken line represent portions of the lamp which form no part of the claimed design.

**1 Claim, 8 Drawing Sheets**

- (56) **References Cited**  
U.S. PATENT DOCUMENTS  
D76,987 S \* 11/1928 Cricchio ..... D26/98  
D170,045 S \* 7/1953 Borowitz ..... D26/101



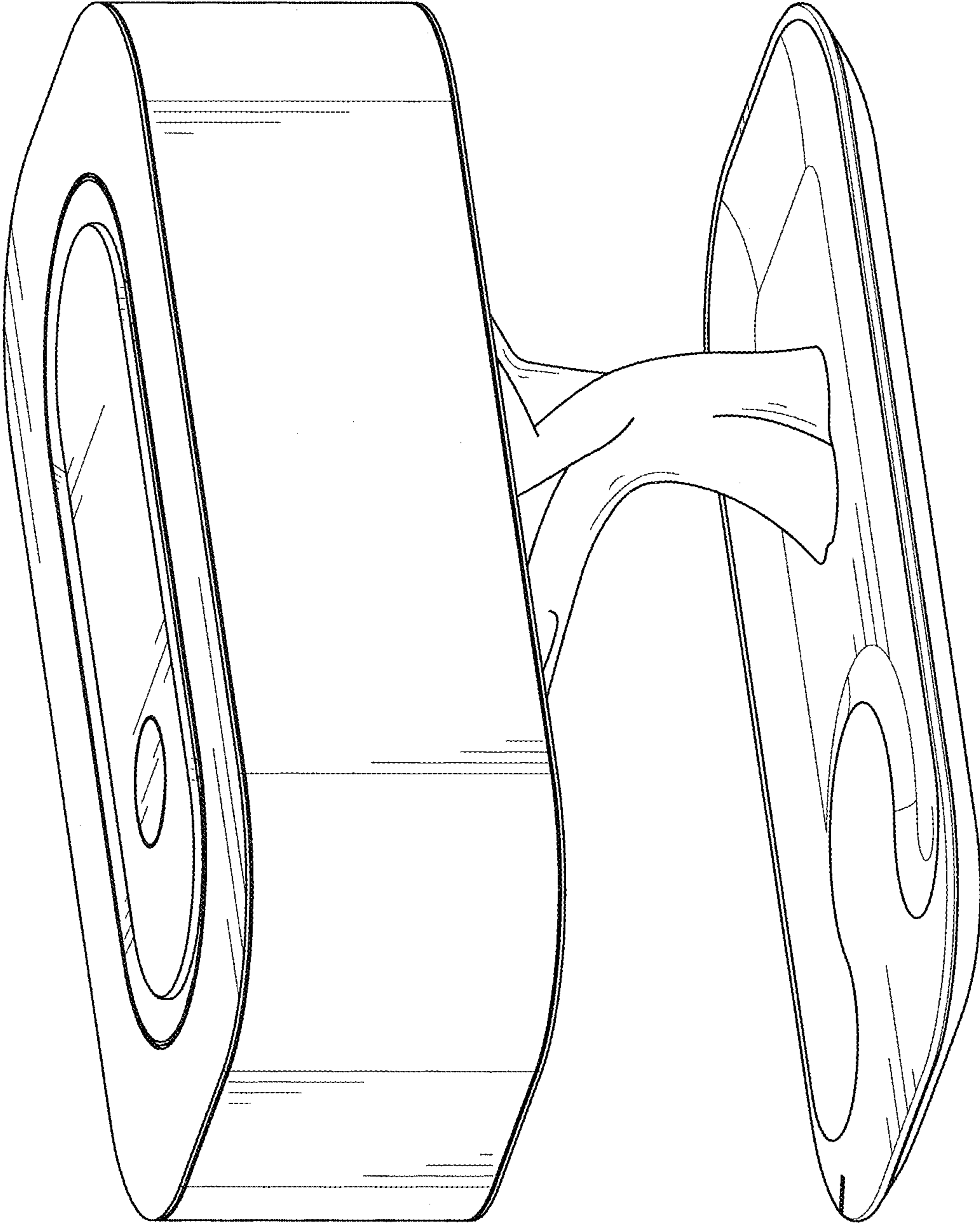


FIG. 1

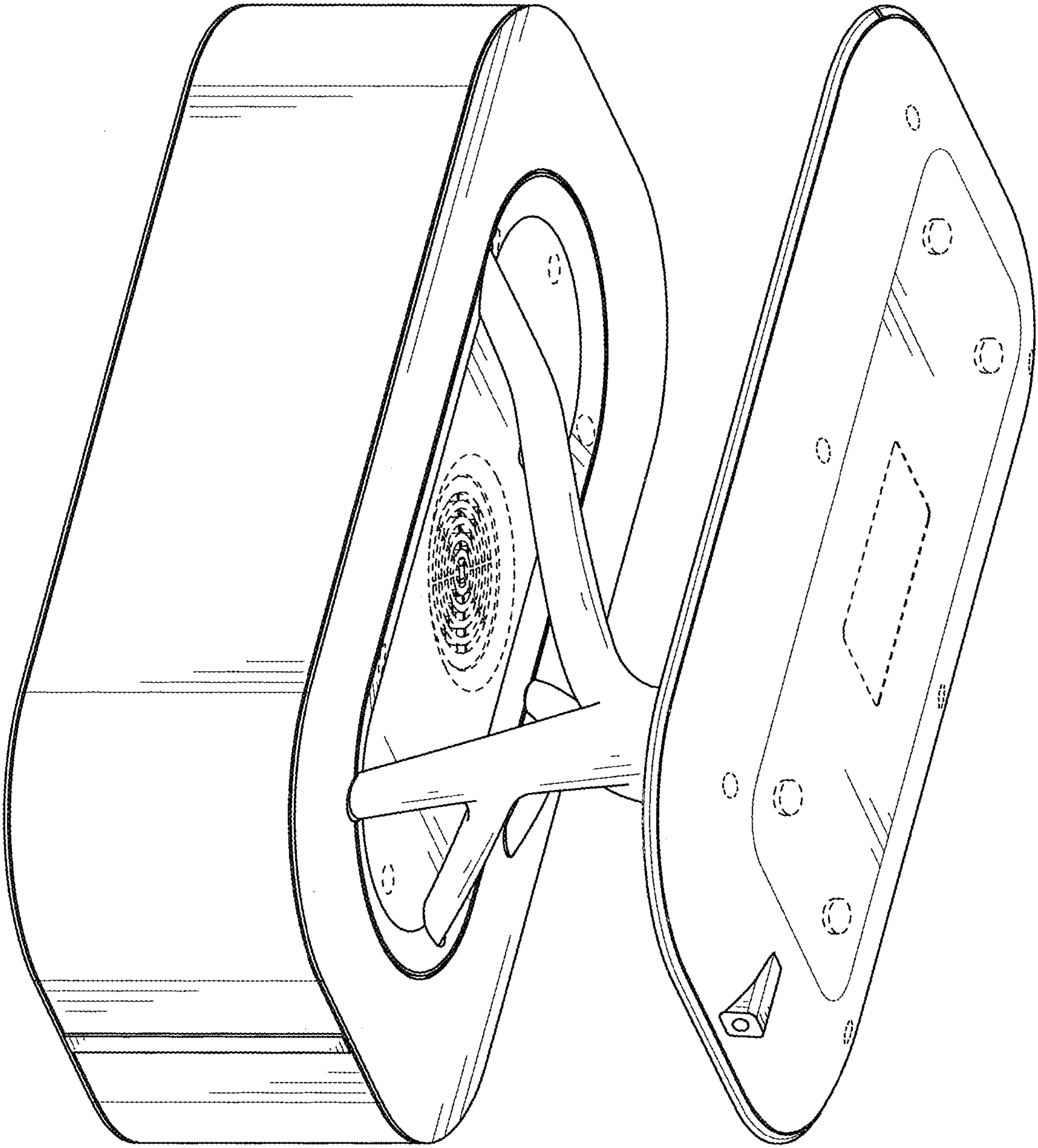


FIG. 2

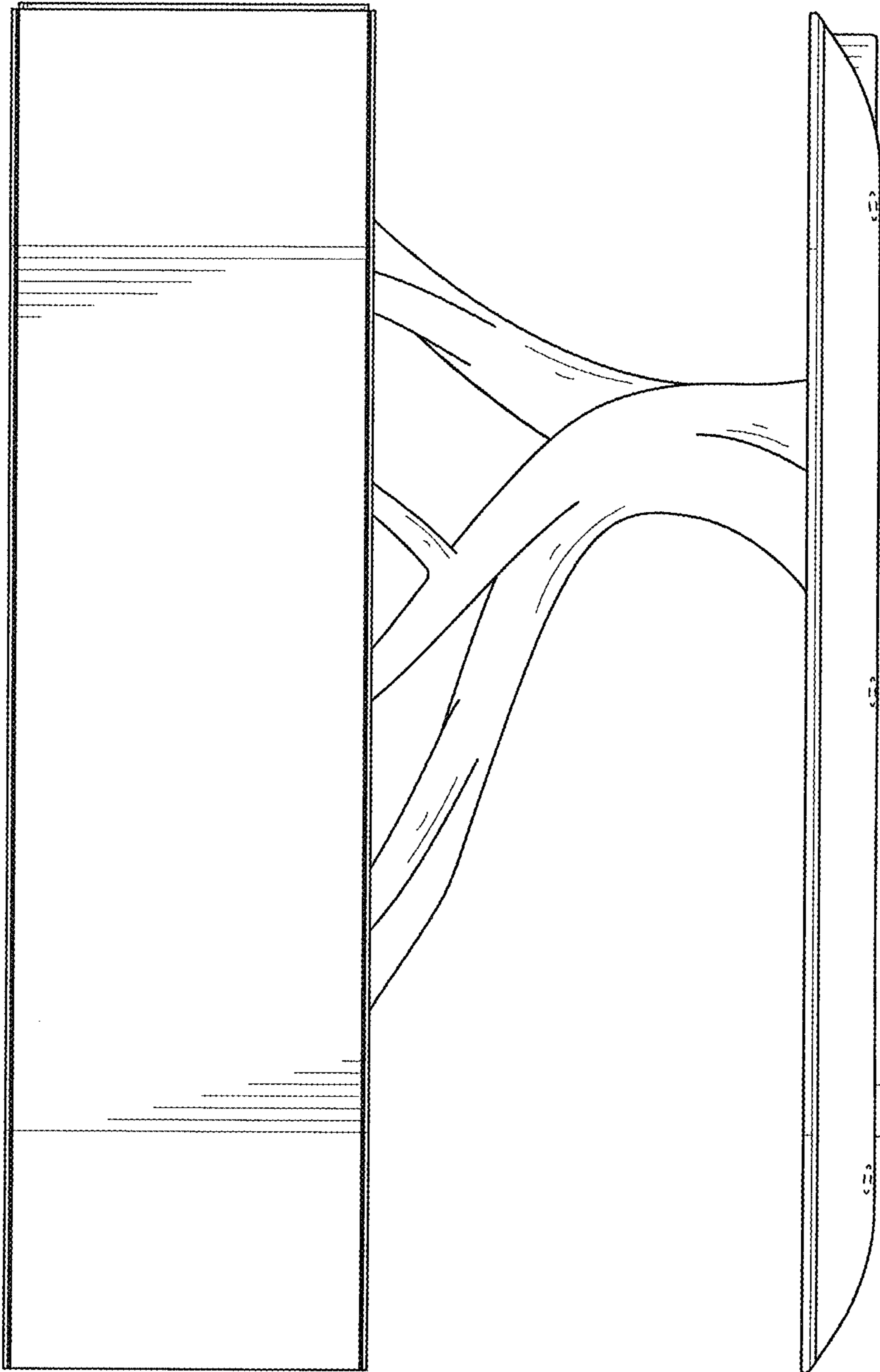


FIG. 3

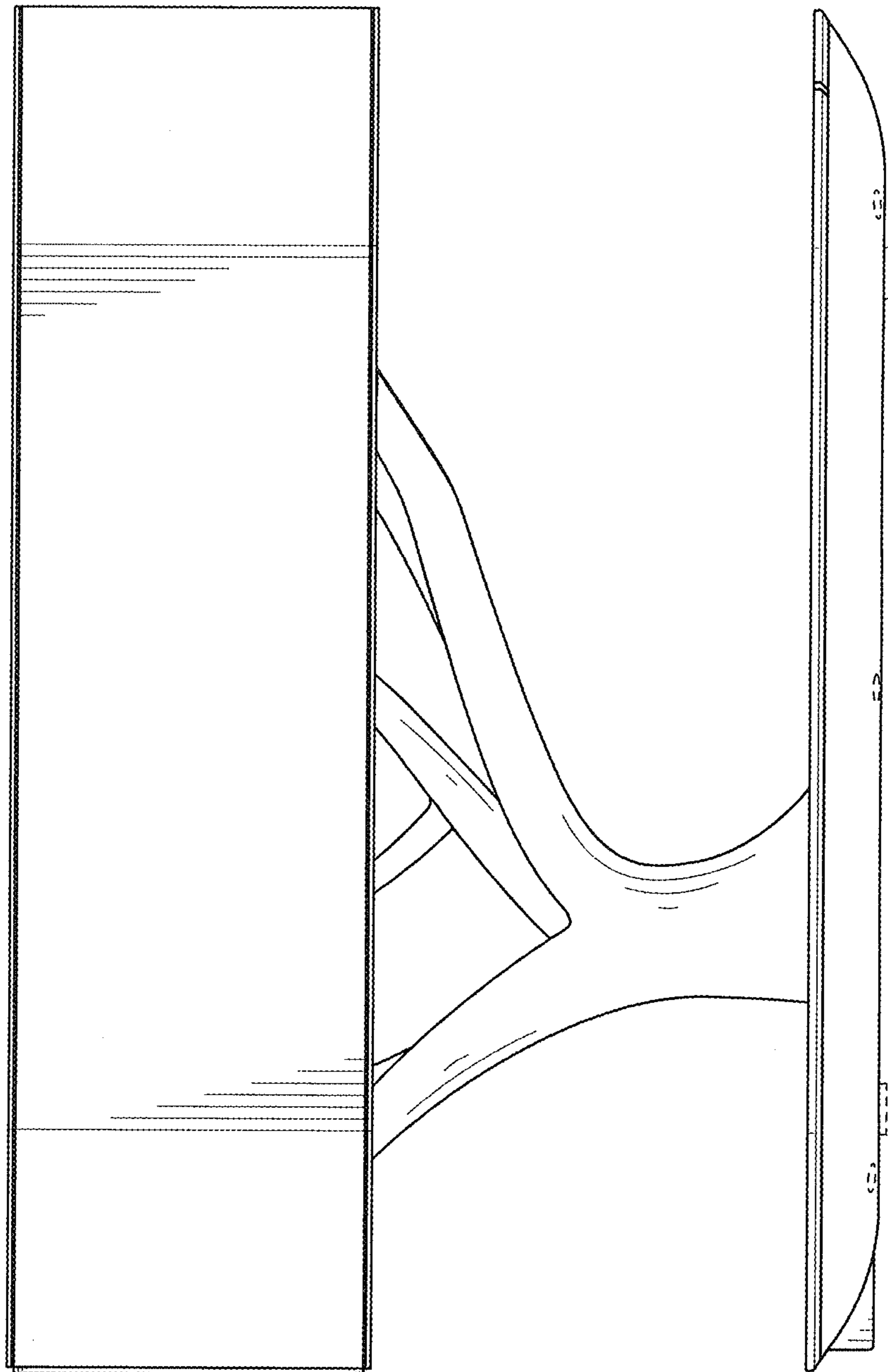


FIG. 4

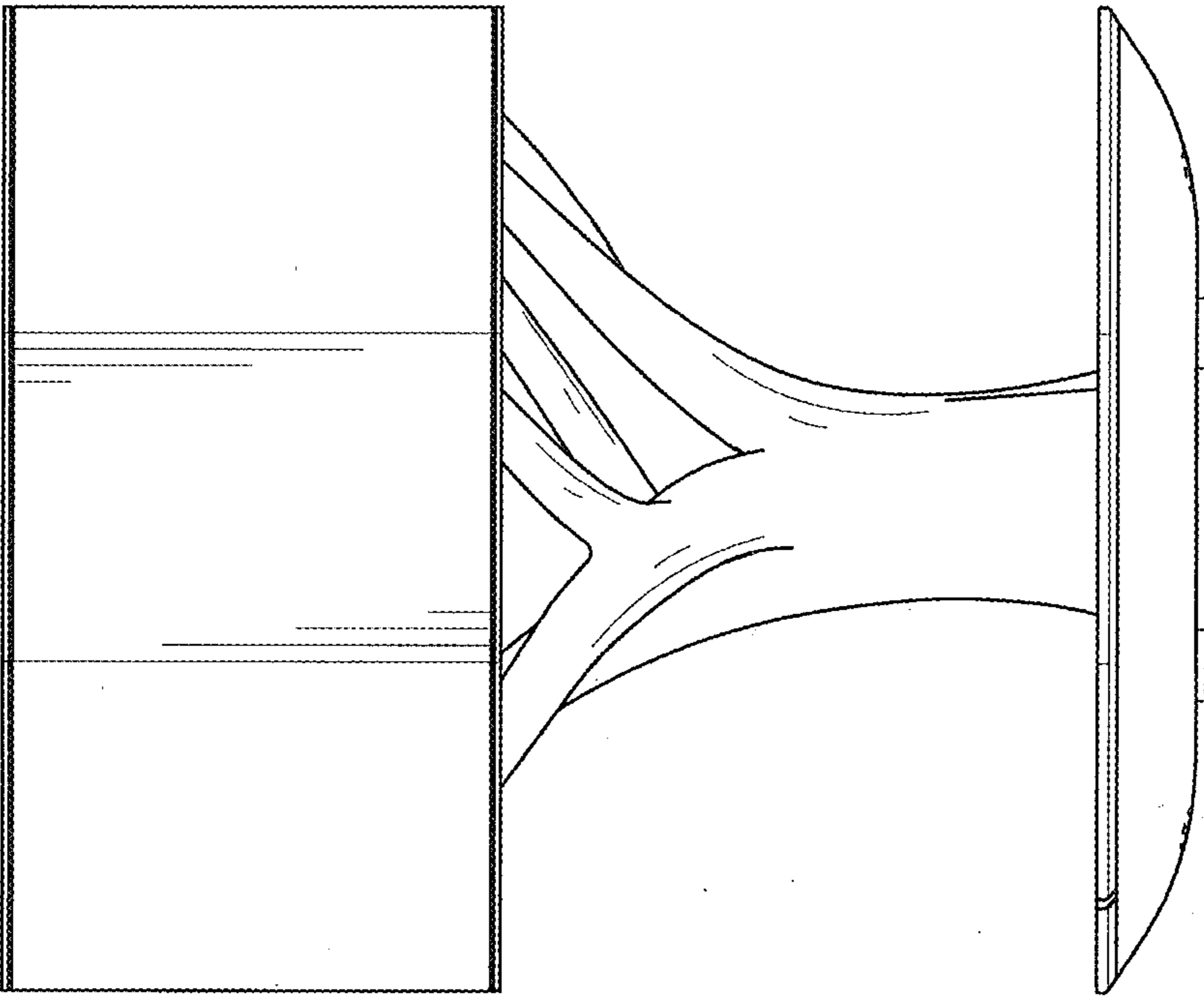


FIG. 5

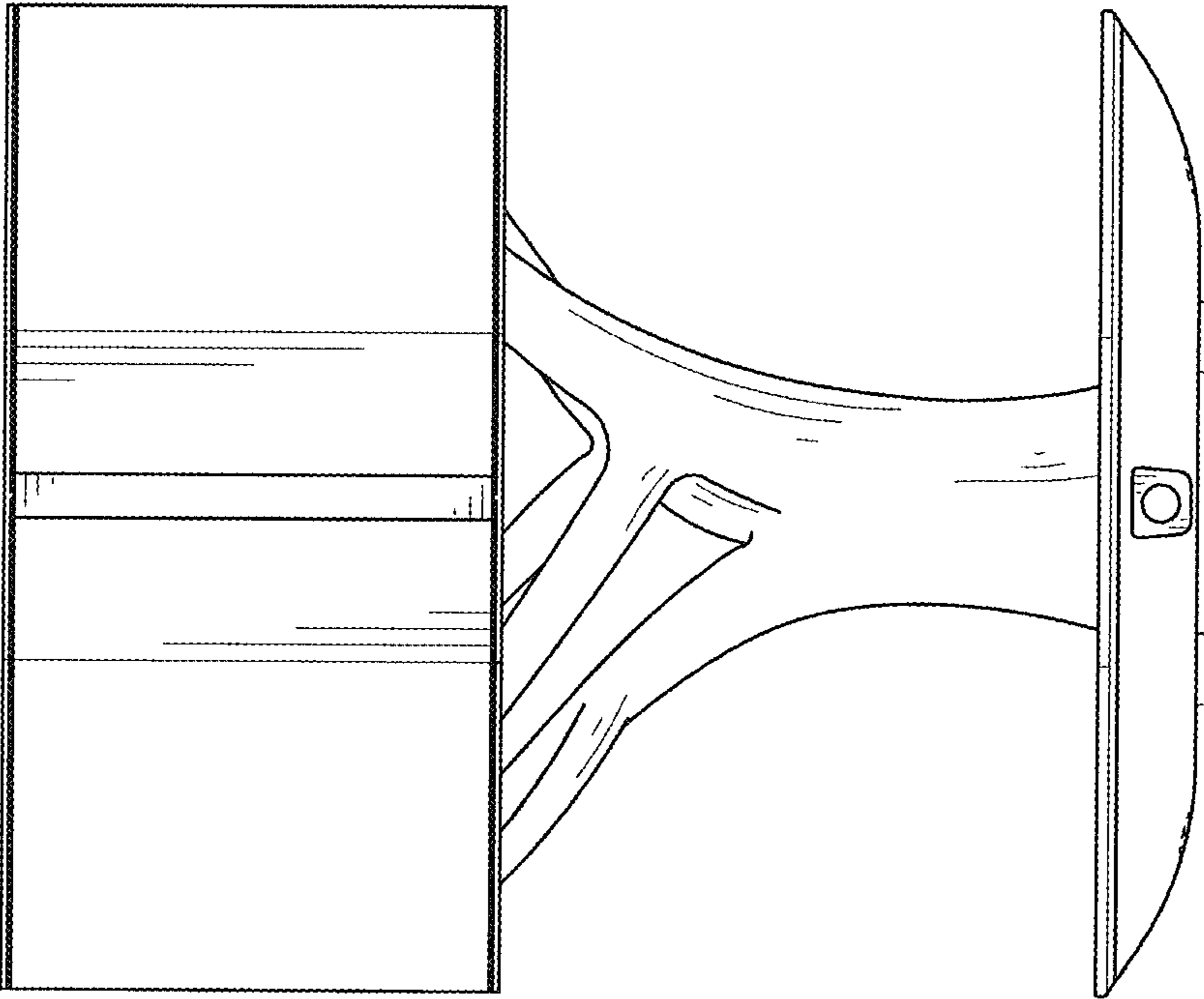


FIG. 6

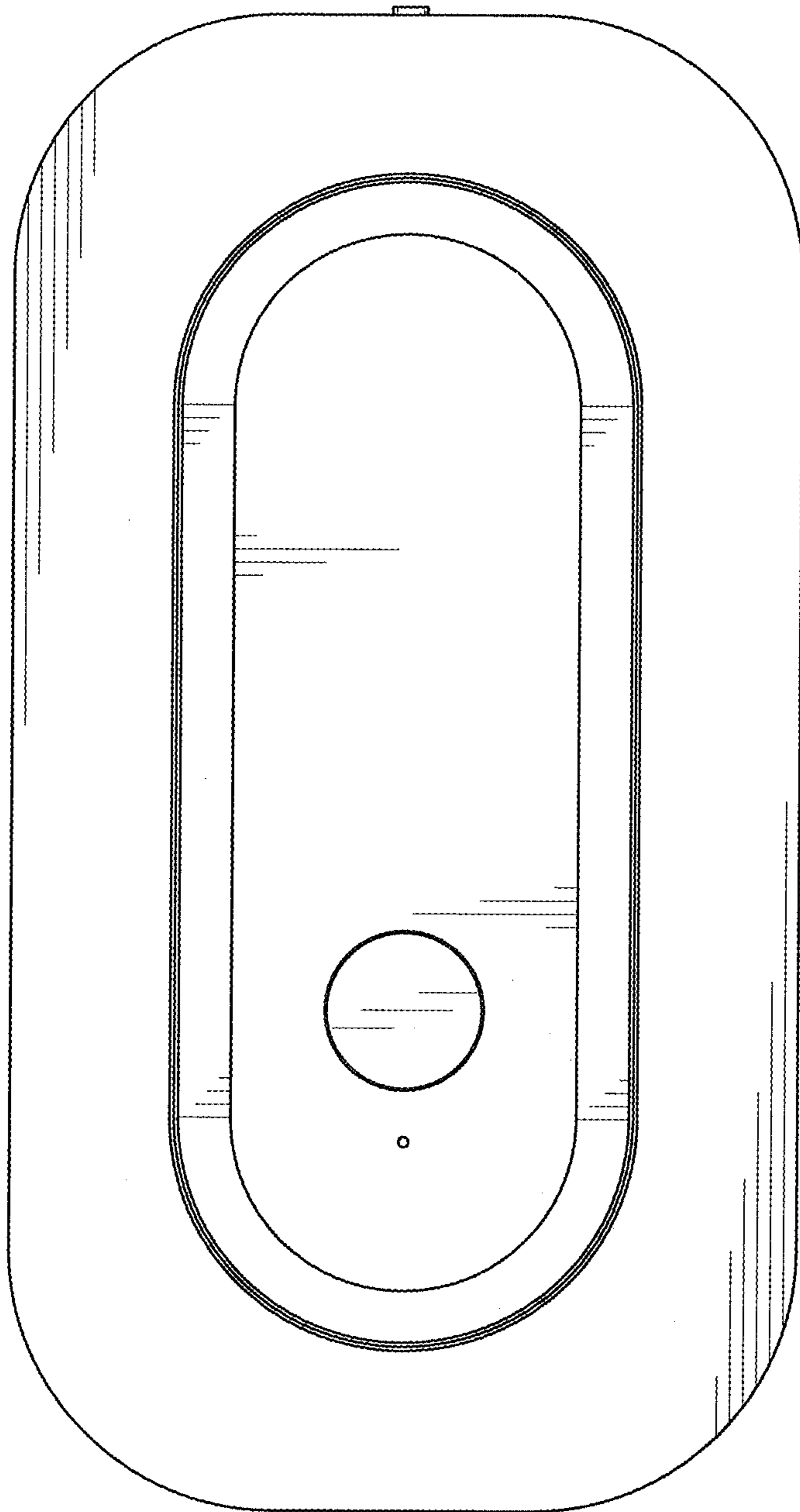


FIG. 7



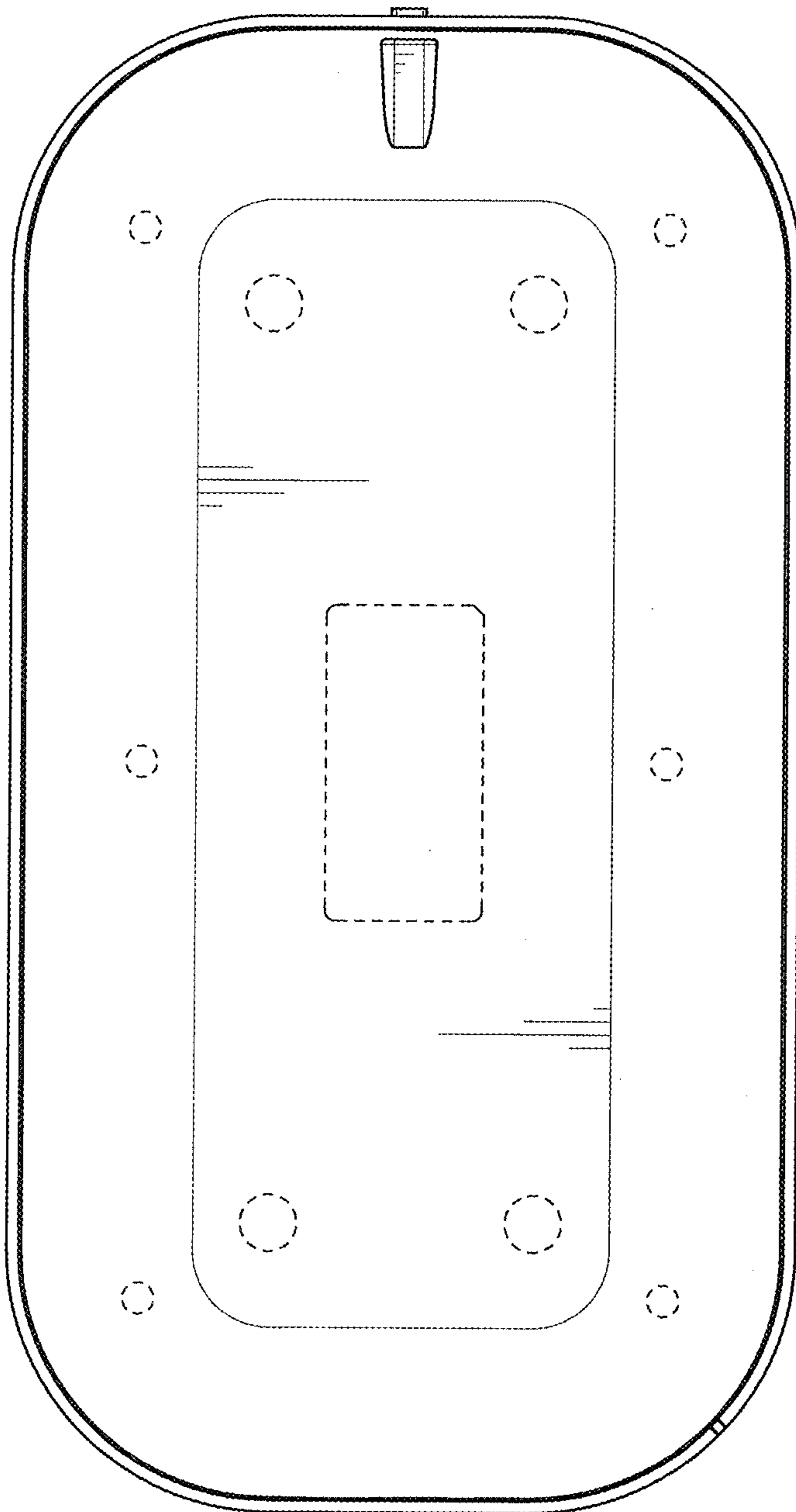


FIG. 8



US00D898270C1

(12) **EX PARTE REEXAMINATION CERTIFICATE** (12059th)  
**United States Patent**  
**Shao**

(10) **Number:** **US D898,270 C1**  
(45) **Certificate Issued:** **May 24, 2022**

(54) **TABLE LAMP**

(71) Applicant: **DESIGN IDENTIFICATION PTE, LTD.**, Singapore (SG)

(72) Inventor: **Yimeng Shao**, Singapore (SG)

(73) Assignee: **DESIGN IDENTIFICATION PTE, LTD.**, Singapore (SG)

**Reexamination Request:**

No. 90/014,699, Mar. 12, 2021

**Reexamination Certificate for:**

Patent No.: **Des. 898,270**

Issued: **Oct. 6, 2020**

Appl. No.: **29/677,401**

Filed: **Jan. 19, 2019**

(51) **LOC (13) Cl.** ..... **26-03**

(52) **U.S. Cl.**

USPC ..... **D26/101**

(58) **Field of Classification Search**

USPC ..... D26/93, 94, 101, 107, 108, 118, 158;  
D11/118, 158

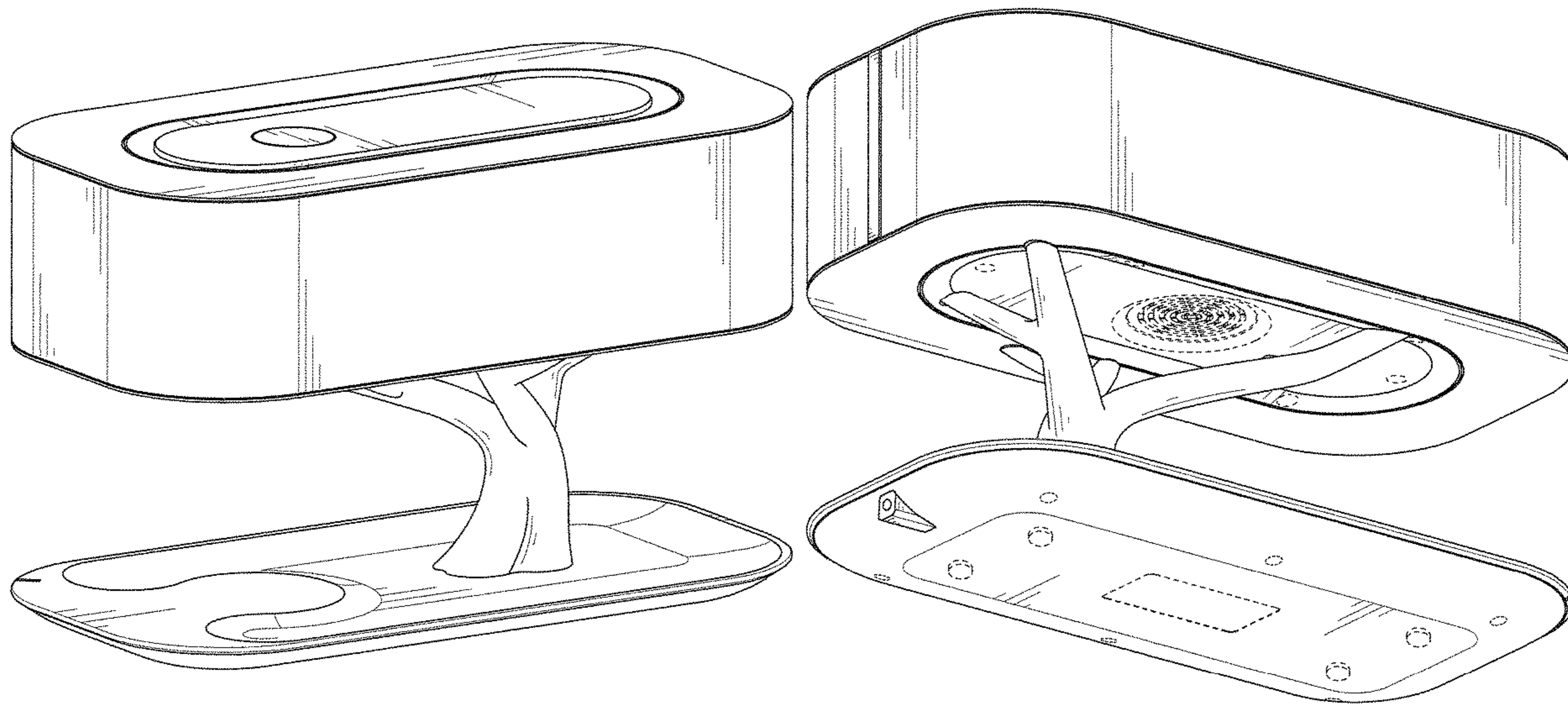
CPC .. F21S 6/00; F21S 6/002; A41G 1/007; F21V  
1/24; F21V 1/00; F21V 1/02; F21V 1/12;  
F21V 1/20; F21V 1/22

See application file for complete search history.

(56) **References Cited**

To view the complete listing of prior art documents cited during the proceeding for Reexamination Control Number 90/014,699, please refer to the USPTO's public Patent Application Information Retrieval (PAIR) system under the Display References tab.

*Primary Examiner* — Philip S Hyder



**1**  
**EX PARTE**  
**REEXAMINATION CERTIFICATE**

THE PATENT IS HEREBY AMENDED AS 5  
INDICATED BELOW.

AS A RESULT OF REEXAMINATION, IT HAS BEEN  
DETERMINED THAT:

The Claim 1 is cancelled. 10

\* \* \* \* \*