



US00D898268S

(12) **United States Design Patent** (10) **Patent No.:** **US D898,268 S**
Tsai et al. (45) **Date of Patent:** **** Oct. 6, 2020**

(54) **LIGHT BAR**

(71) Applicant: **Lextar Electronics Corporation,**
Hsinchu (TW)
(72) Inventors: **Tsung-Huan Tsai,** Hsinchu (TW);
Yu-Min Lin, Hsinchu (TW); **Chin-Hao**
Chi, Hsinchu (TW); **Wei-Yuan Tsou,**
Hsinchu (TW)

(73) Assignee: **LEXTAR ELECTRONICS**
CORPORATION, Hsinchu (TW)

(**) Term: **15 Years**

(21) Appl. No.: **29/679,034**

(22) Filed: **Feb. 1, 2019**

(51) **LOC (12) Cl.** **26-04**

(52) **U.S. Cl.**
USPC **D26/76**

(58) **Field of Classification Search**
USPC D26/72, 74, 76, 78–83, 85, 86, 88, 90,
D26/93, 111, 113, 118, 119, 120, 121,
D26/122, 138, 139, 140, 141, 142, 152
CPC F21S 2/00; F21S 4/00; F21S 4/003; F21S
4/005; F21S 4/006; F21S 4/007; F21S
4/008; F21S 6/00; F21S 8/00; F21S
8/024; F21S 8/026; F21S 8/031; F21S
8/033; F21S 8/035–037; F21S 8/04; F21S
8/043; F21S 8/063
See application file for complete search history.

(56) **References Cited**

U.S. PATENT DOCUMENTS

D373,000 S * 8/1996 Brady D20/41
D636,108 S * 4/2011 Nguyen D26/76
D636,504 S * 4/2011 Duster D26/3
D671,254 S * 11/2012 Miyatake D26/75
D681,873 S * 5/2013 Hoch D26/141
D695,443 S * 12/2013 Kaule D26/76
D701,343 S * 3/2014 Ng D26/76

D703,857 S * 4/2014 Soni D26/75
D751,240 S * 3/2016 Wilcox D26/118
D754,902 S * 4/2016 Parker D26/76
D812,252 S * 3/2018 Amrine, Jr. D26/3
D826,446 S * 8/2018 Chami D26/68
D850,698 S * 6/2019 Prats D26/76
D857,964 S * 8/2019 Ross D26/76
D858,851 S * 9/2019 Petersen D26/76
D858,852 S * 9/2019 Chen D26/76
D862,766 S * 10/2019 Kim D26/76
D883,548 S * 5/2020 Hand D26/63

* cited by examiner

Primary Examiner — *Natasha Vujcic*
(74) *Attorney, Agent, or Firm* — *CKC & Partners Co.,*
LLC

(57) **CLAIM**

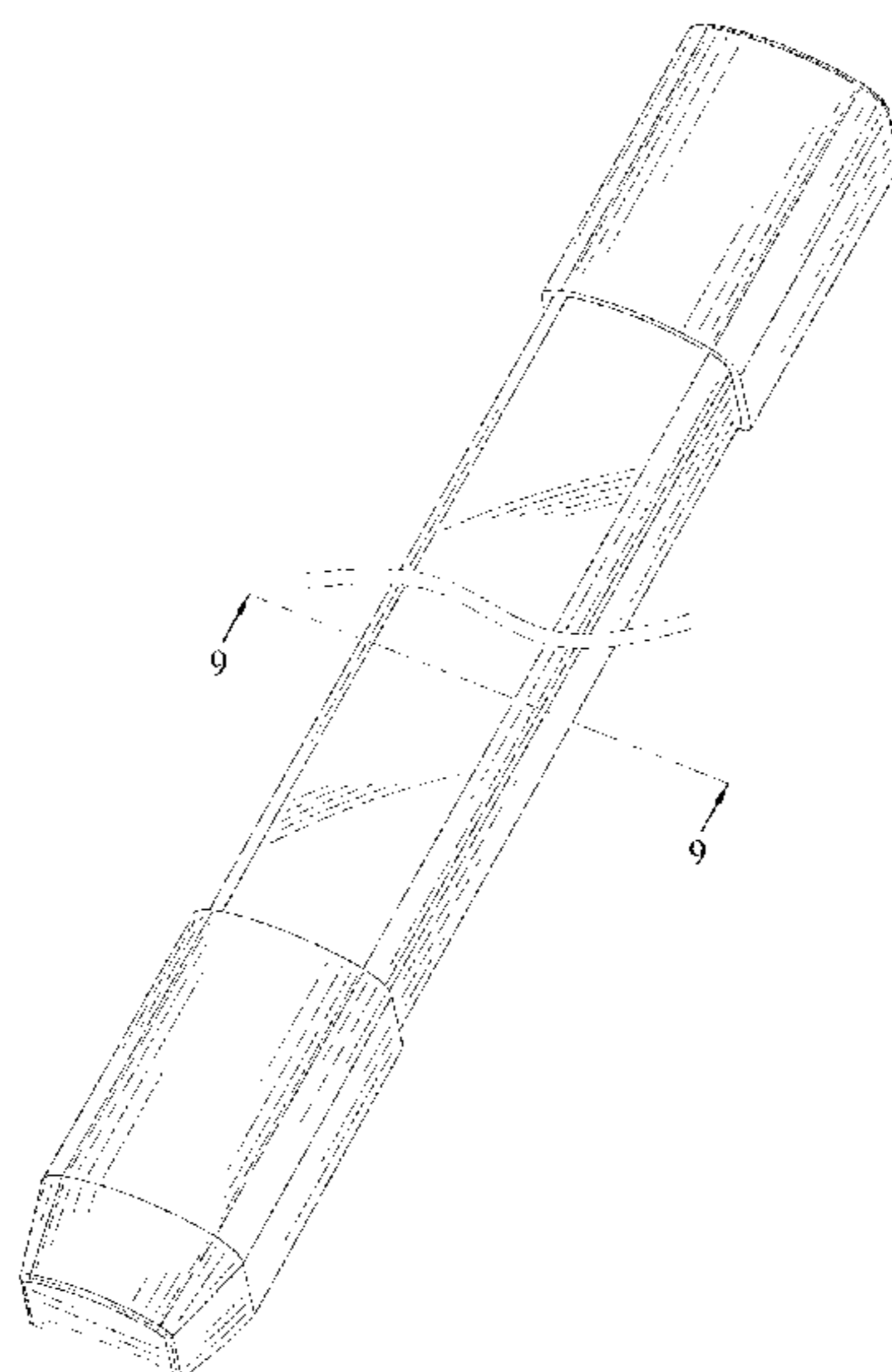
The ornamental design for a light bar, as shown and described.

DESCRIPTION

FIG. 1 is a perspective view of a light bar showing our new design;
FIG. 2 is a front elevational view thereof;
FIG. 3 is a rear elevational view thereof;
FIG. 4 is a left side elevational view thereof;
FIG. 5 is a right side elevational view thereof;
FIG. 6 is a top plan view thereof;
FIG. 7 is a bottom plan view thereof;
FIG. 8 is another perspective view thereof; and
FIG. 9 is an enlarged cross sectional view taken along lines 9-9 of FIG. 1; and,
FIG. 10 is another perspective view of the light bar of FIG. 1, shown in a position of use.

The dashed broken lines in the drawings illustrate portions of the light bar which form no part of the claimed design. The break lines in the drawings indicate that the appearance of any portion of the light bar between the break lines forms no part of the claimed design.

1 Claim, 10 Drawing Sheets



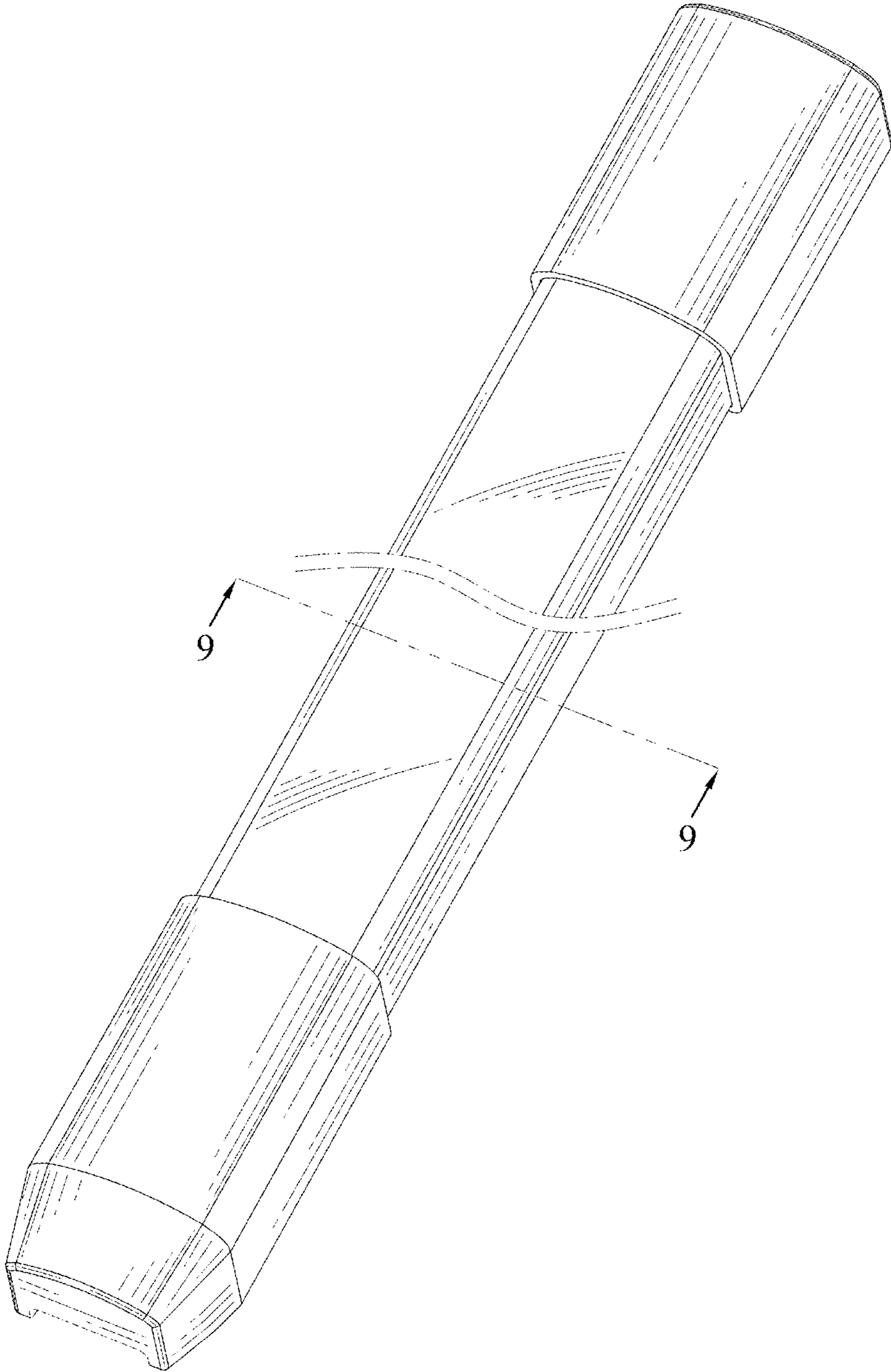


Fig. 1

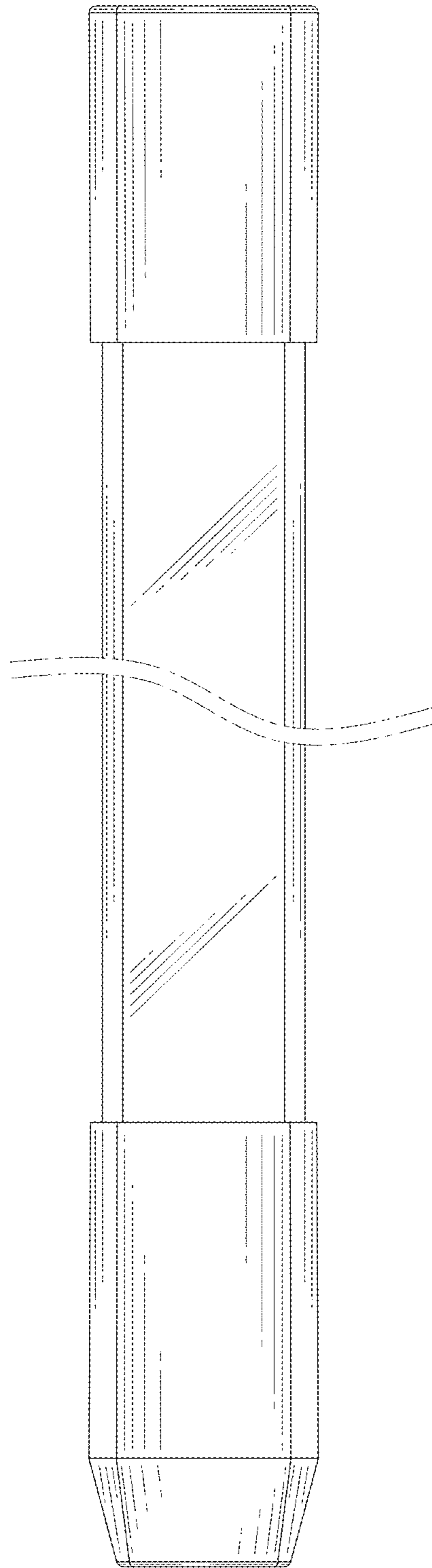


Fig. 2

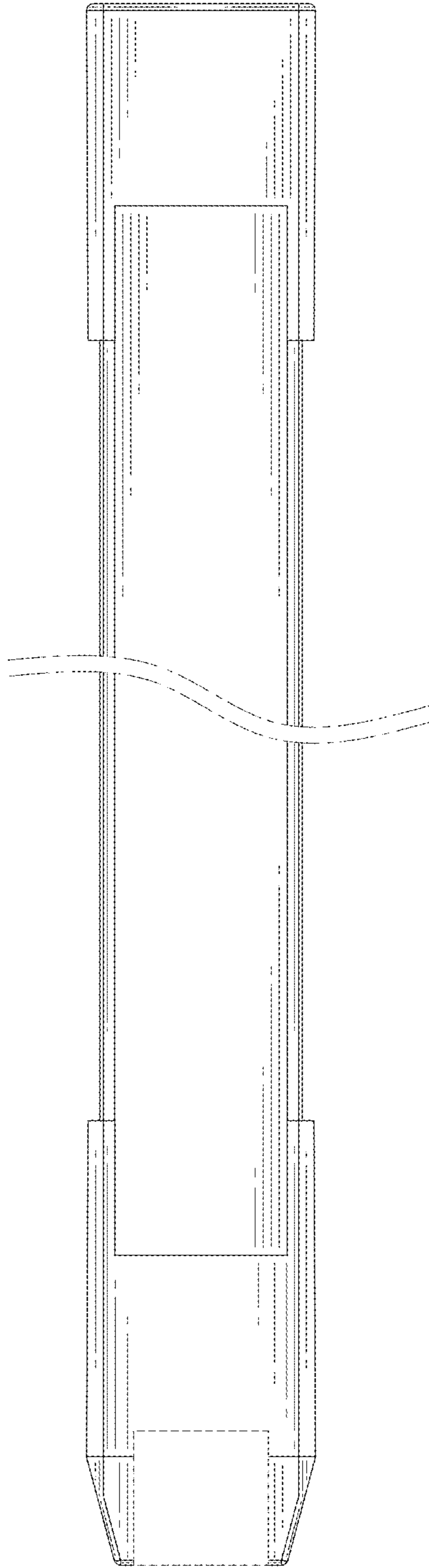


Fig. 3

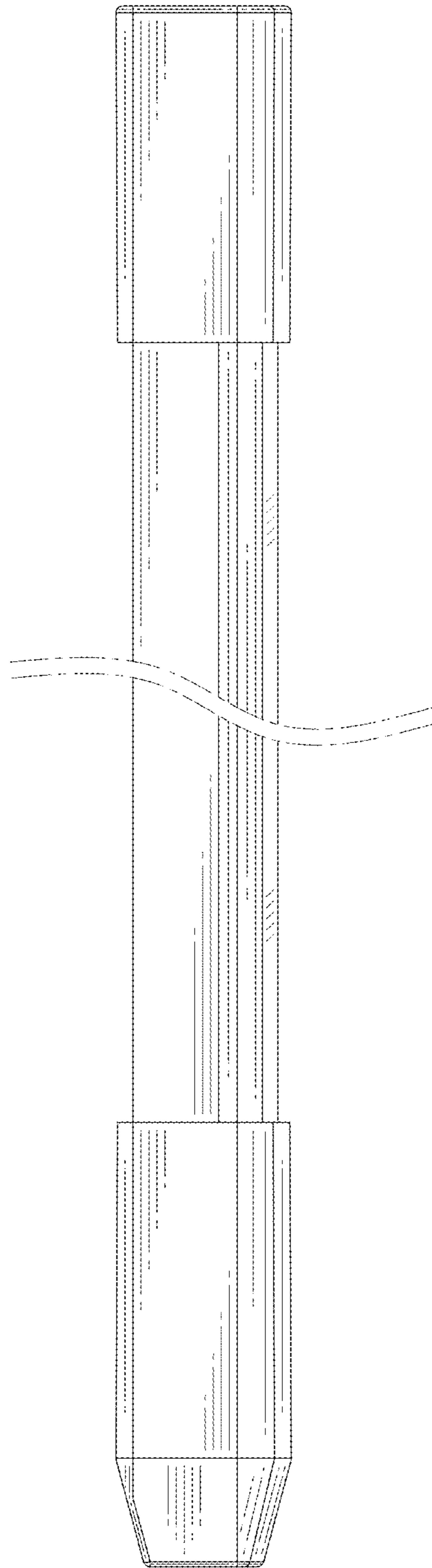


Fig. 4

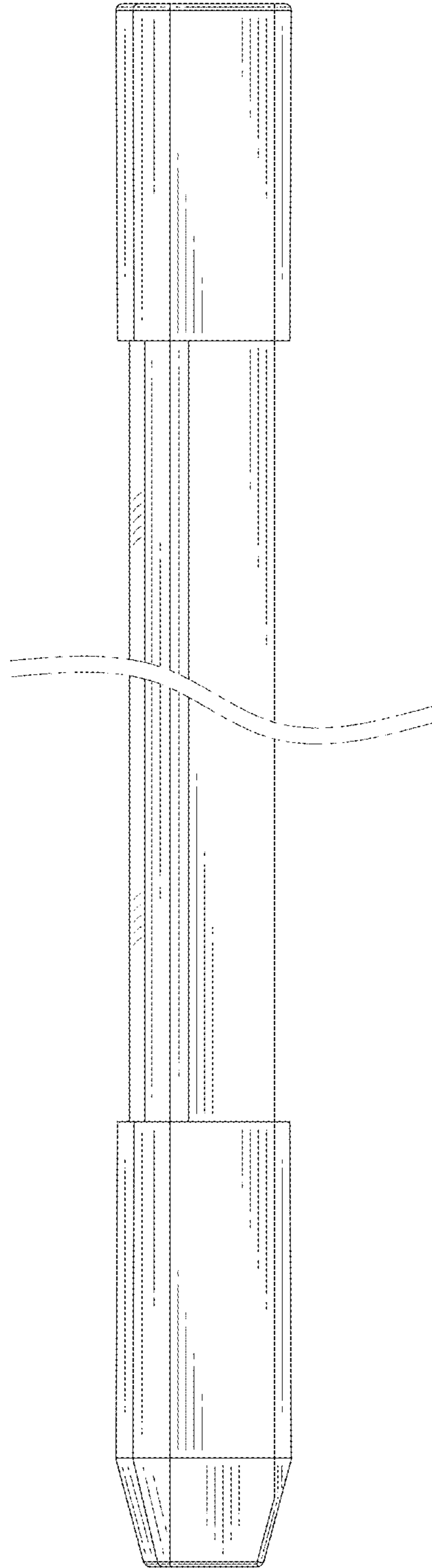


Fig. 5

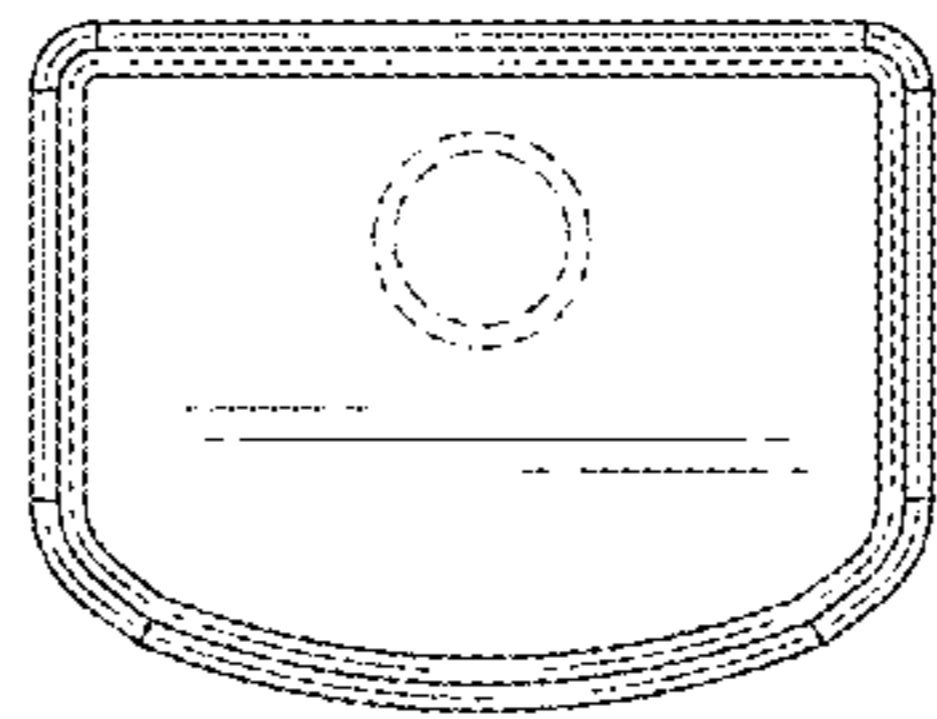


Fig. 6

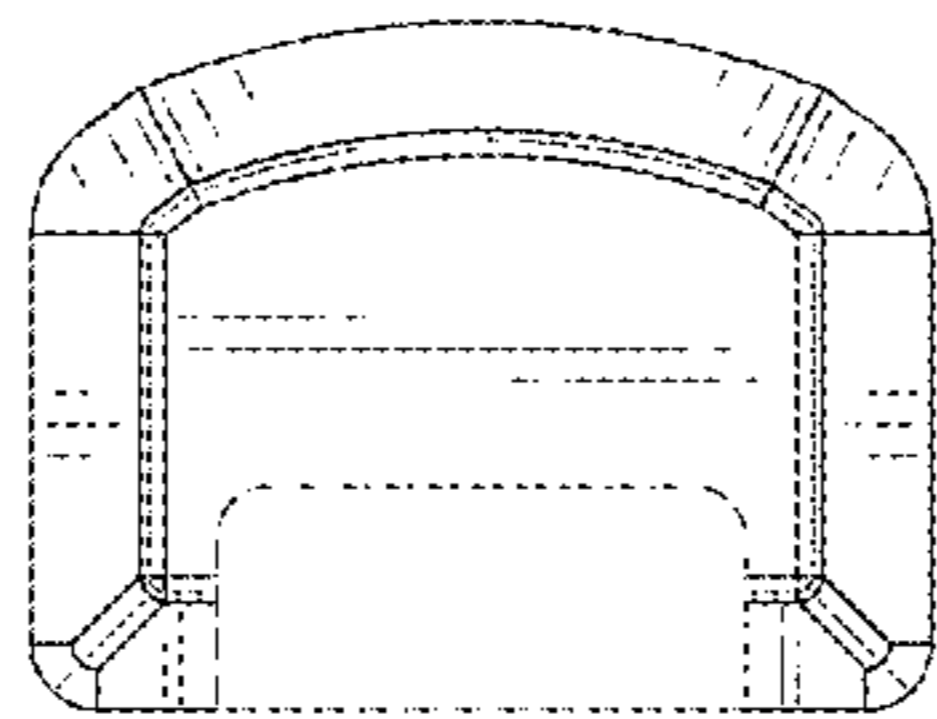


Fig. 7

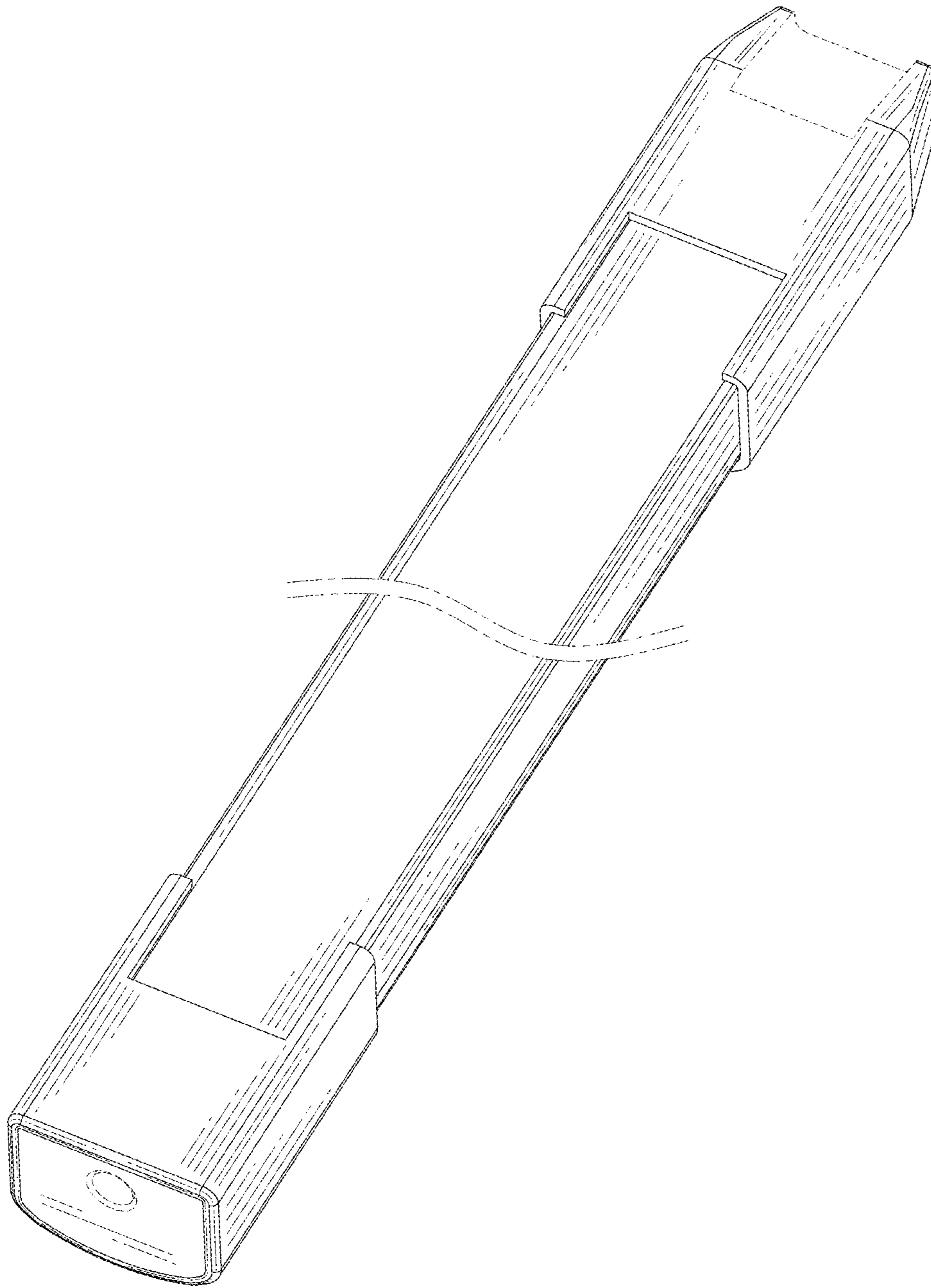


Fig. 8

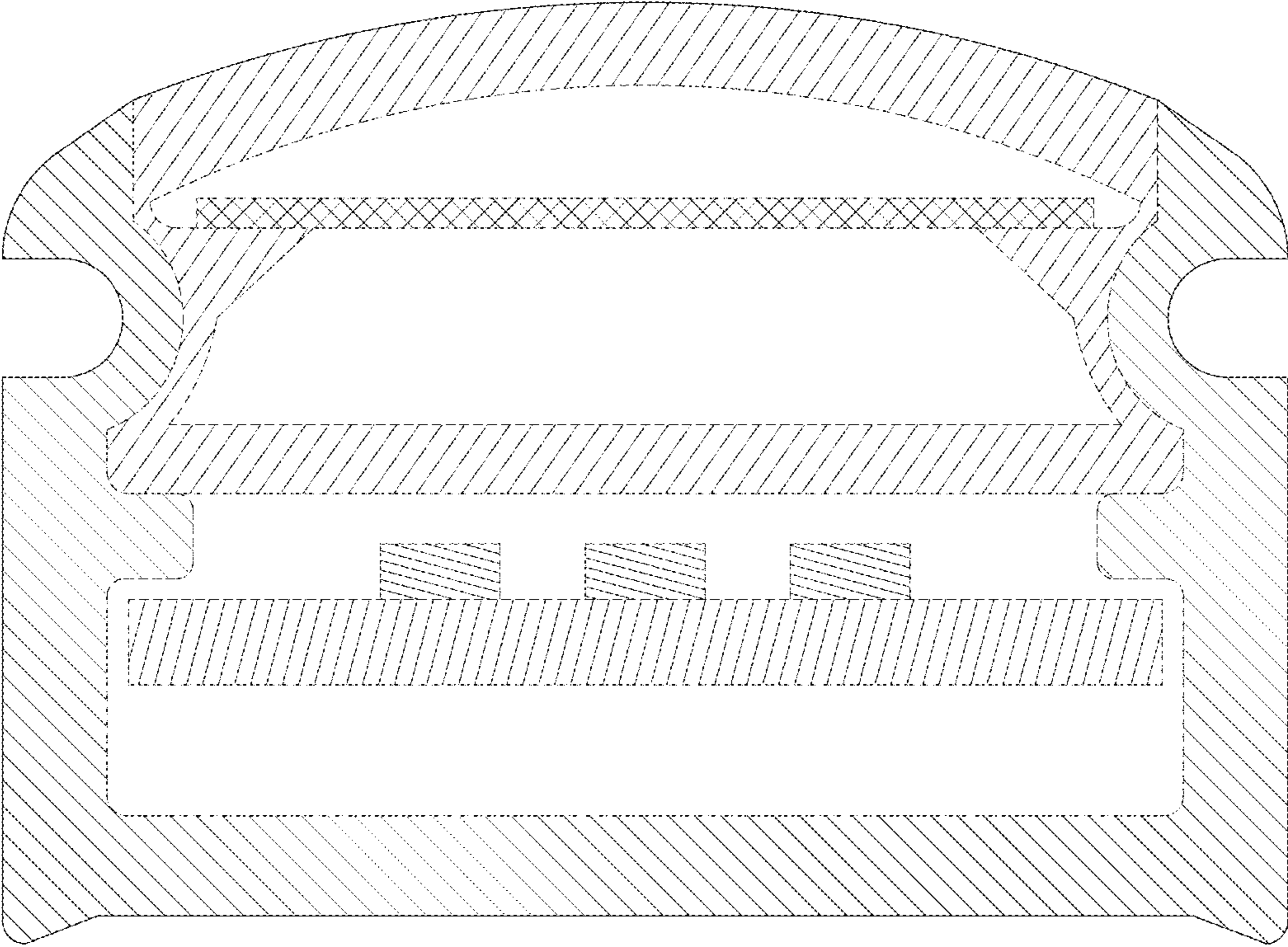


Fig. 9

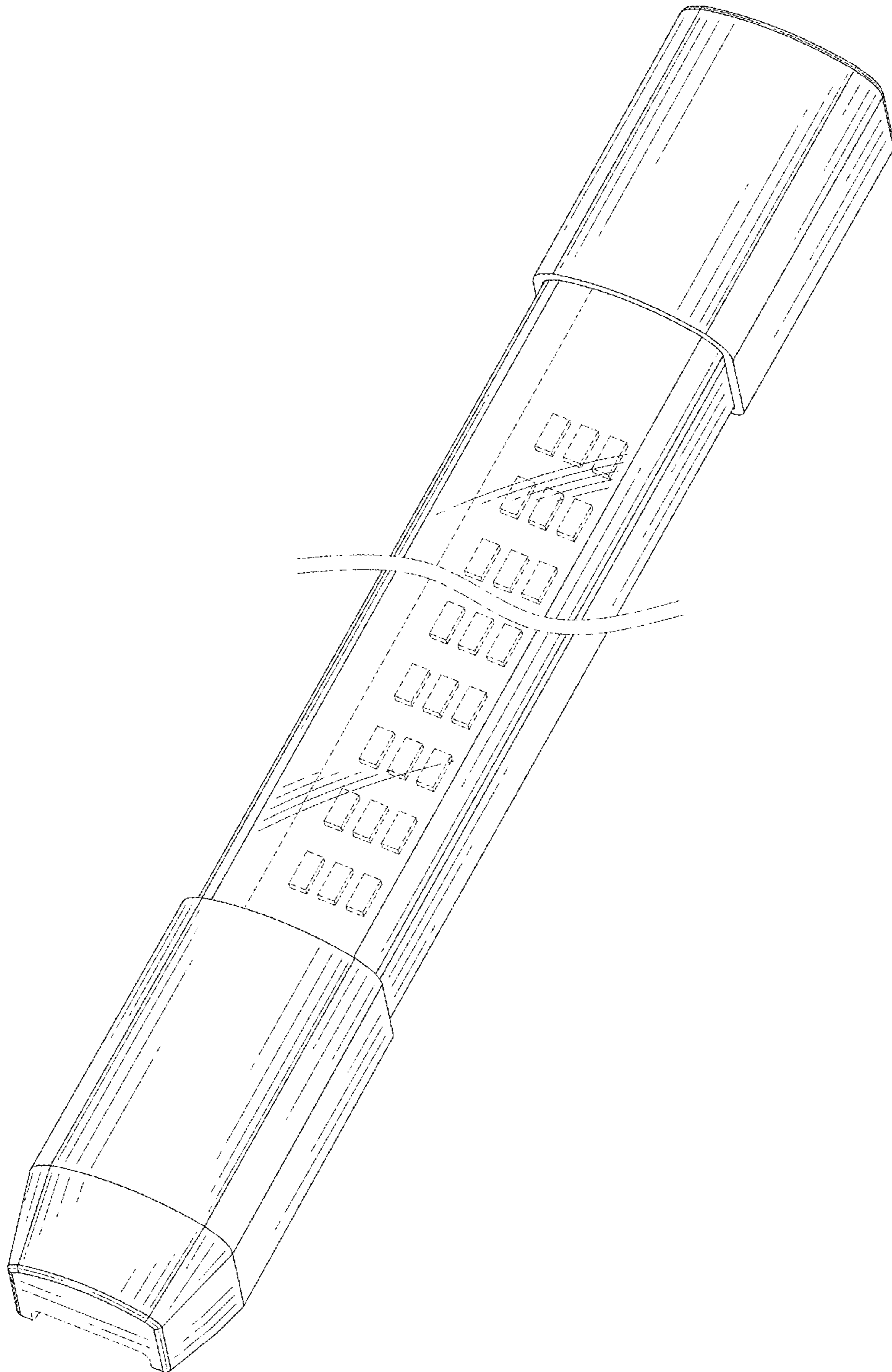


Fig. 10