



US00D898267S

(12) **United States Design Patent** (10) **Patent No.:** **US D898,267 S**  
**Cho et al.** (45) **Date of Patent:** **\*\* Oct. 6, 2020**

(54) **LIGHTING APPARATUS**  
(71) Applicant: **FEELUX CO., LTD.**, Gyeonggi-do (KR)  
(72) Inventors: **Bum Yeon Cho**, Seoul (KR); **Gil Hun Shin**, Seoul (KR)  
(73) Assignee: **FEELUX CO., LTD.**, Gyeonggi-do (KR)  
(\*\*) Term: **15 Years**  
(21) Appl. No.: **29/659,164**  
(22) Filed: **Aug. 7, 2018**  
(51) **LOC (12) Cl.** ..... **26-04**  
(52) **U.S. Cl.**  
USPC ..... **D26/76**  
(58) **Field of Classification Search**  
USPC ..... D26/39, 59, 67, 68, 69, 70, 71, 72, 74, D26/76, 77, 80, 88, 89, 138, 25-28, 37, D26/75, 78, 85, 104, 108, 142  
CPC ..... F21S 2/00; F21S 4/00; F21S 4/003; F21S 4/005; F21S 4/006; F21S 4/007; F21S 4/008; F21S 6/00; F21S 8/00; F21S 8/04  
See application file for complete search history.

(56) **References Cited**  
U.S. PATENT DOCUMENTS  
D496,122 S \* 9/2004 Kan ..... D26/76  
D579,139 S \* 10/2008 Ghini ..... D26/72  
D611,643 S \* 3/2010 Owen ..... D26/76  
D662,245 S \* 6/2012 Steffy ..... D26/75  
D760,418 S \* 6/2016 Muchandi ..... D26/76  
D793,603 S \* 8/2017 Parker ..... D26/76  
10,082,275 B2 \* 9/2018 Veltri ..... F21V 15/01  
D855,238 S \* 7/2019 Stanley ..... D26/76  
10,378,734 B2 \* 8/2019 Veltri ..... F21V 5/04  
2012/0182734 A1 \* 7/2012 Shimizu ..... F21S 2/00  
362/235

2013/0279180 A1\* 10/2013 Pearson ..... F21V 21/008  
362/371  
2015/0124440 A1\* 5/2015 Janjua ..... F21S 8/02  
362/223  
2015/0292719 A1\* 10/2015 Park ..... F21V 21/049  
362/221

\* cited by examiner  
*Primary Examiner* — Mark A Goodwin  
*Assistant Examiner* — Benjamin M Weeks  
(74) *Attorney, Agent, or Firm* — The PL Law Group, PLLC

(57) **CLAIM**  
The ornamental design for a lighting apparatus, as shown and described herein.

**DESCRIPTION**  
FIG. 1 is a perspective view of a lighting apparatus showing our new design;  
FIG. 2 is a front view thereof;  
FIG. 3 is a rear view thereof;  
FIG. 4 is a left-side view thereof;  
FIG. 5 is a right-side view thereof;  
FIG. 6 is a top plan view thereof;  
FIG. 7 is a bottom plan view thereof;  
FIG. 8 is a perspective view of a bottom portion thereof;  
FIG. 9 is an enlarged view of a front portion of the lighting apparatus shown in FIG. 1;  
FIG. 10 is an enlarged view of a rear portion of the lighting apparatus shown in FIG. 1;  
FIG. 11 is an enlarged view of a front portion of the lighting apparatus shown in FIG. 2;  
FIG. 12 is an enlarged view of FIG. 4;  
FIG. 13 is an enlarged view of a front portion of the lighting apparatus shown in FIG. 6; and,  
FIG. 14 is an enlarged view of a front portion of the lighting apparatus shown in FIG. 8.  
The broken lines illustrate portions of the lighting apparatus that form no part of the claimed design.

**1 Claim, 10 Drawing Sheets**

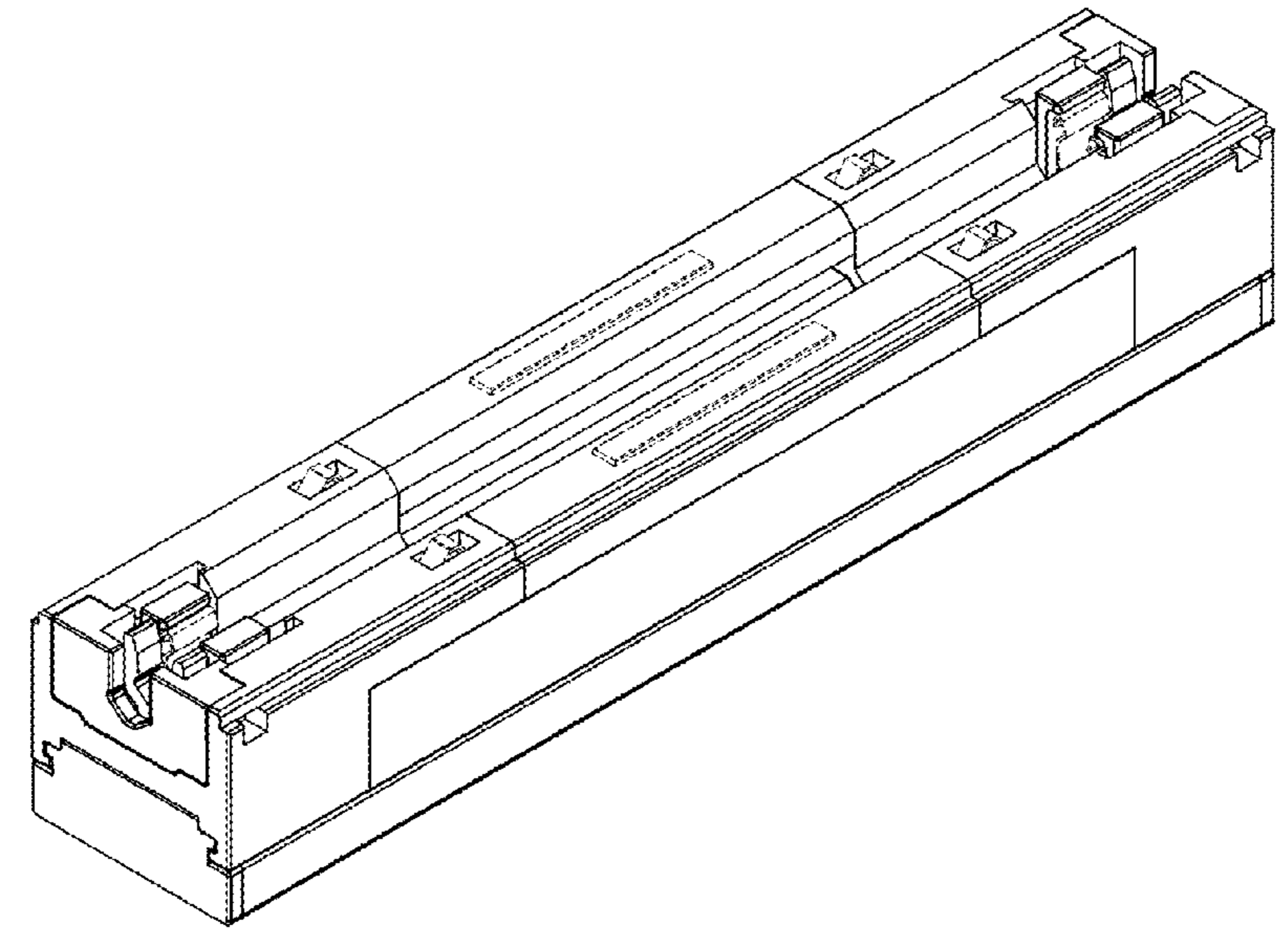


FIG. 1

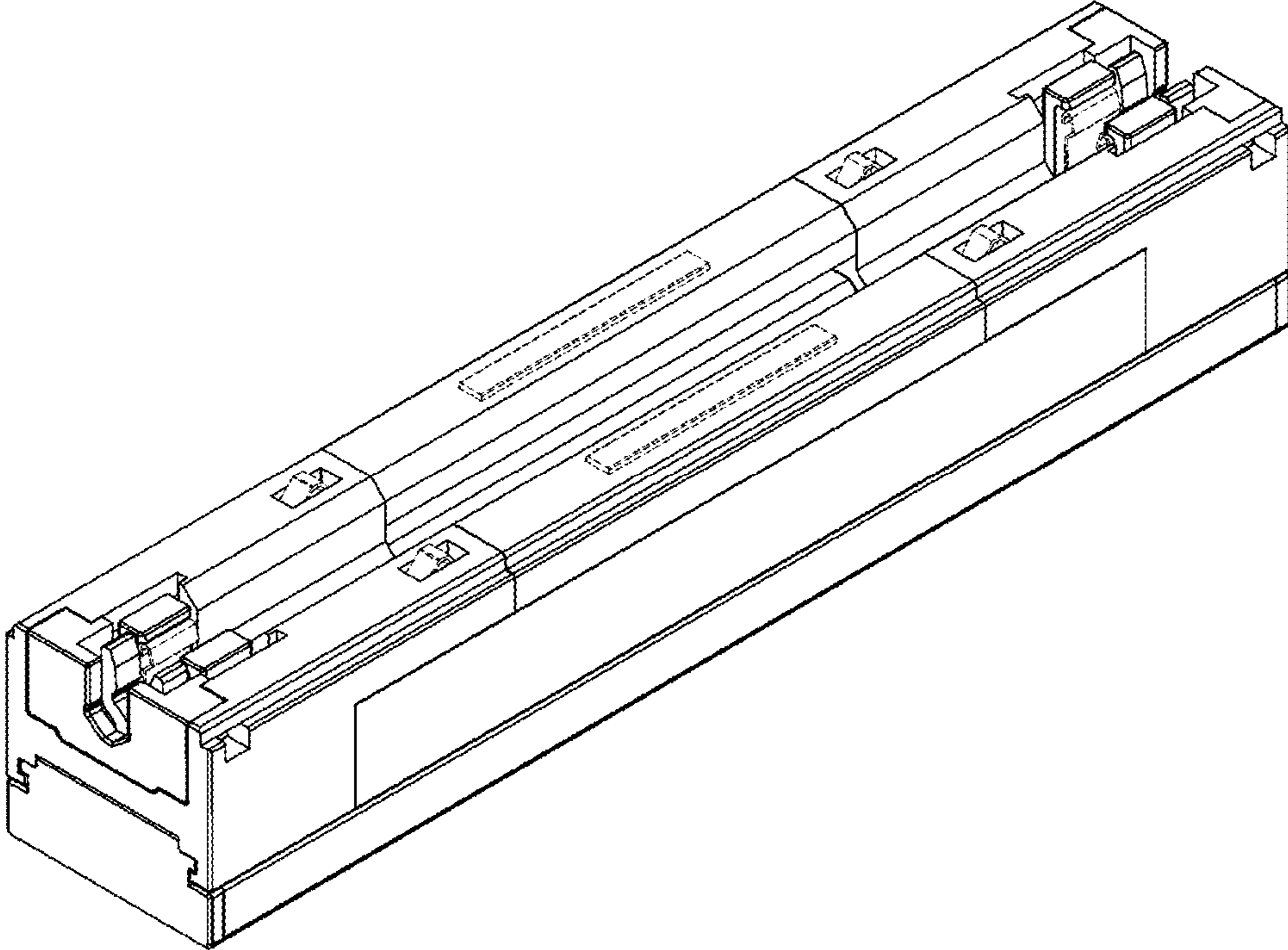


FIG. 2

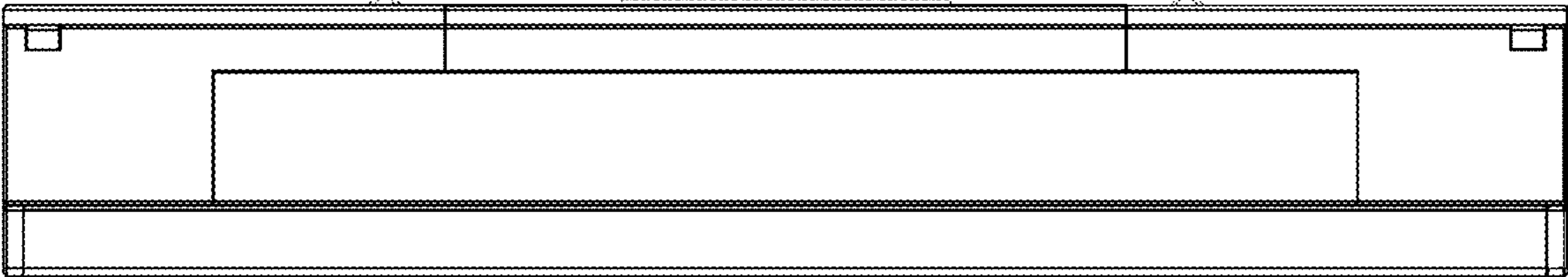


FIG. 3

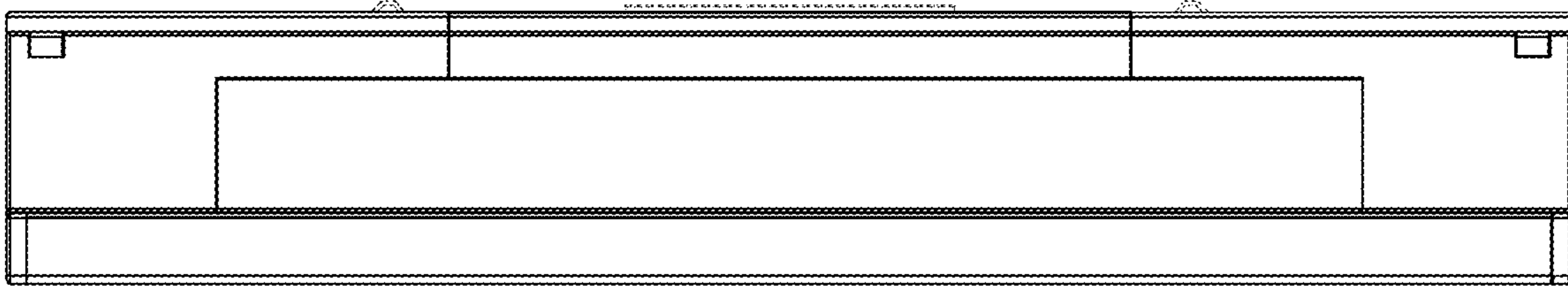


FIG. 4

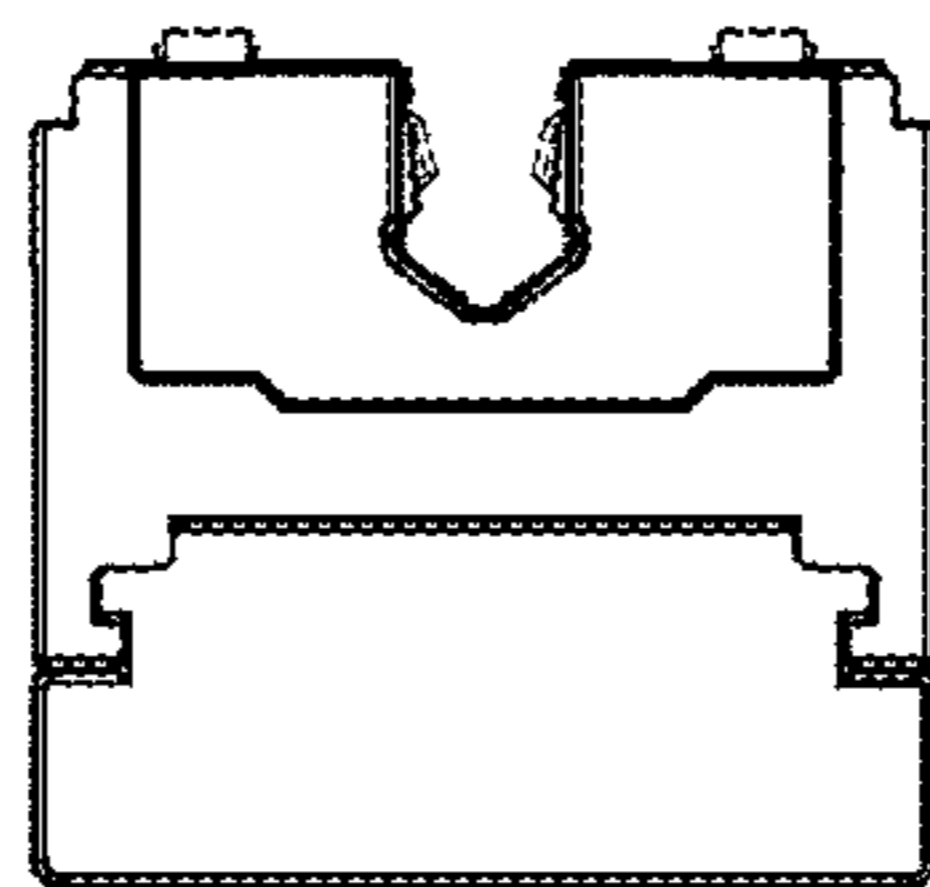


FIG. 5

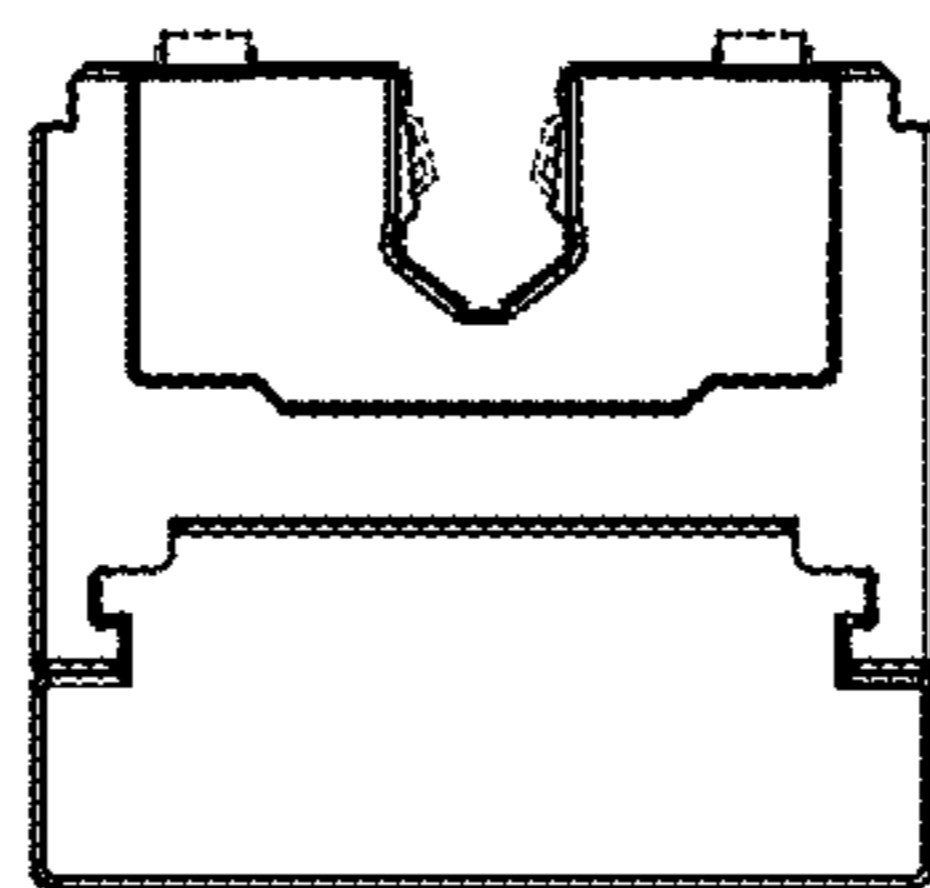


FIG. 6

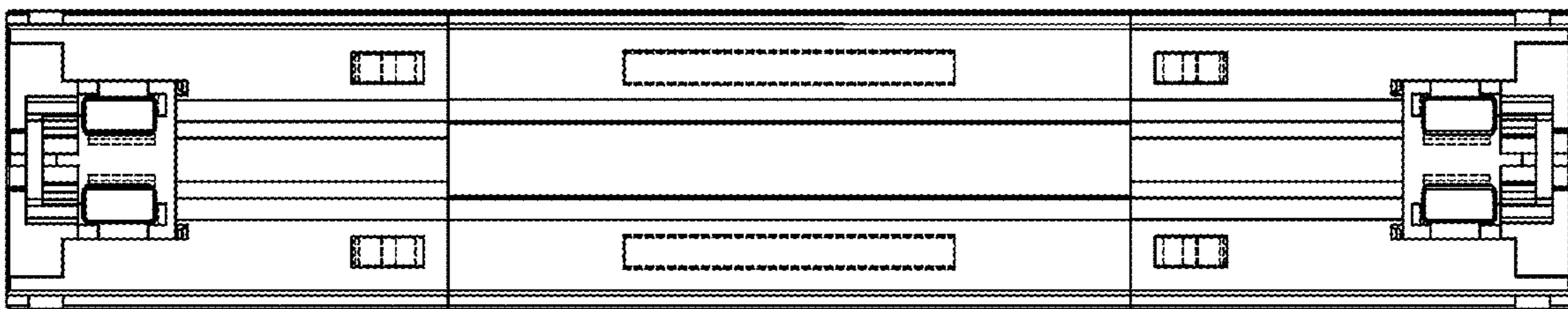


FIG. 7

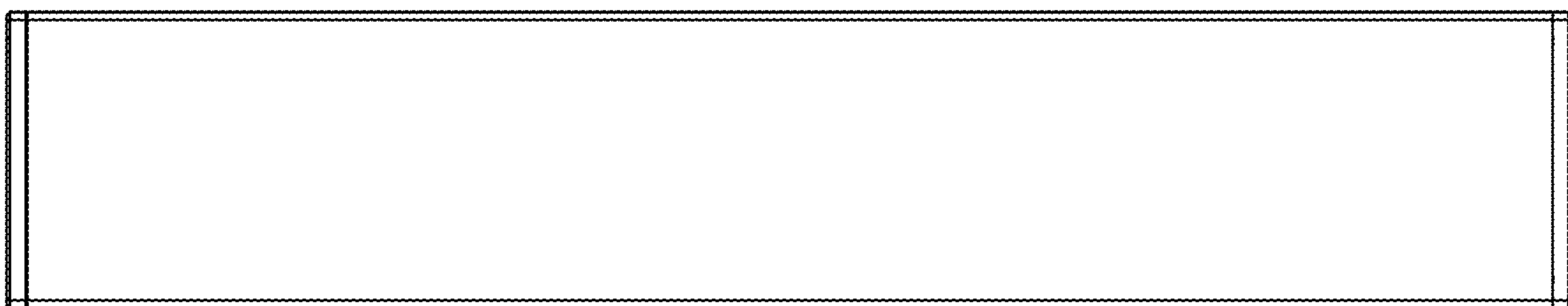


FIG. 8

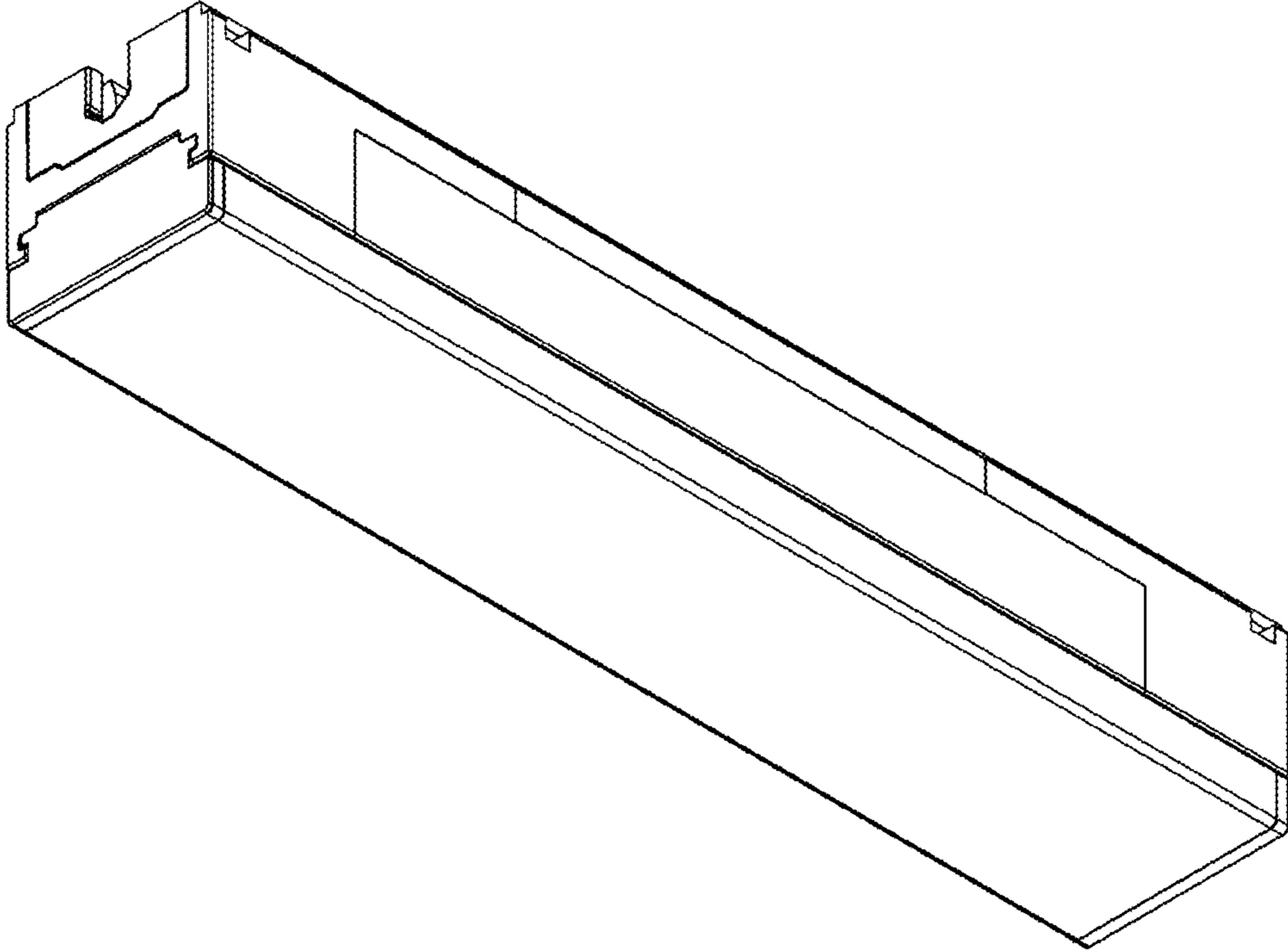


FIG. 9

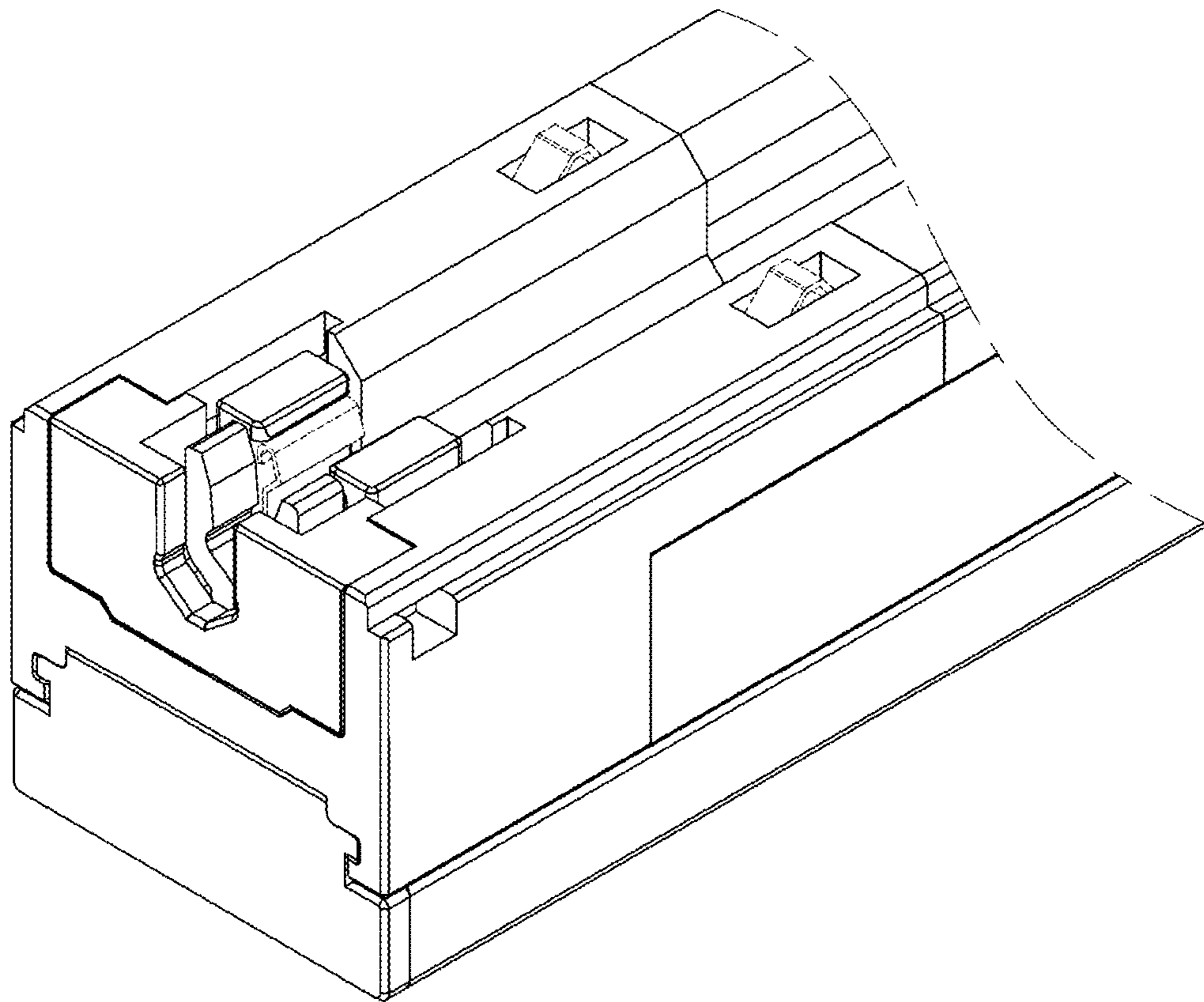


FIG. 10

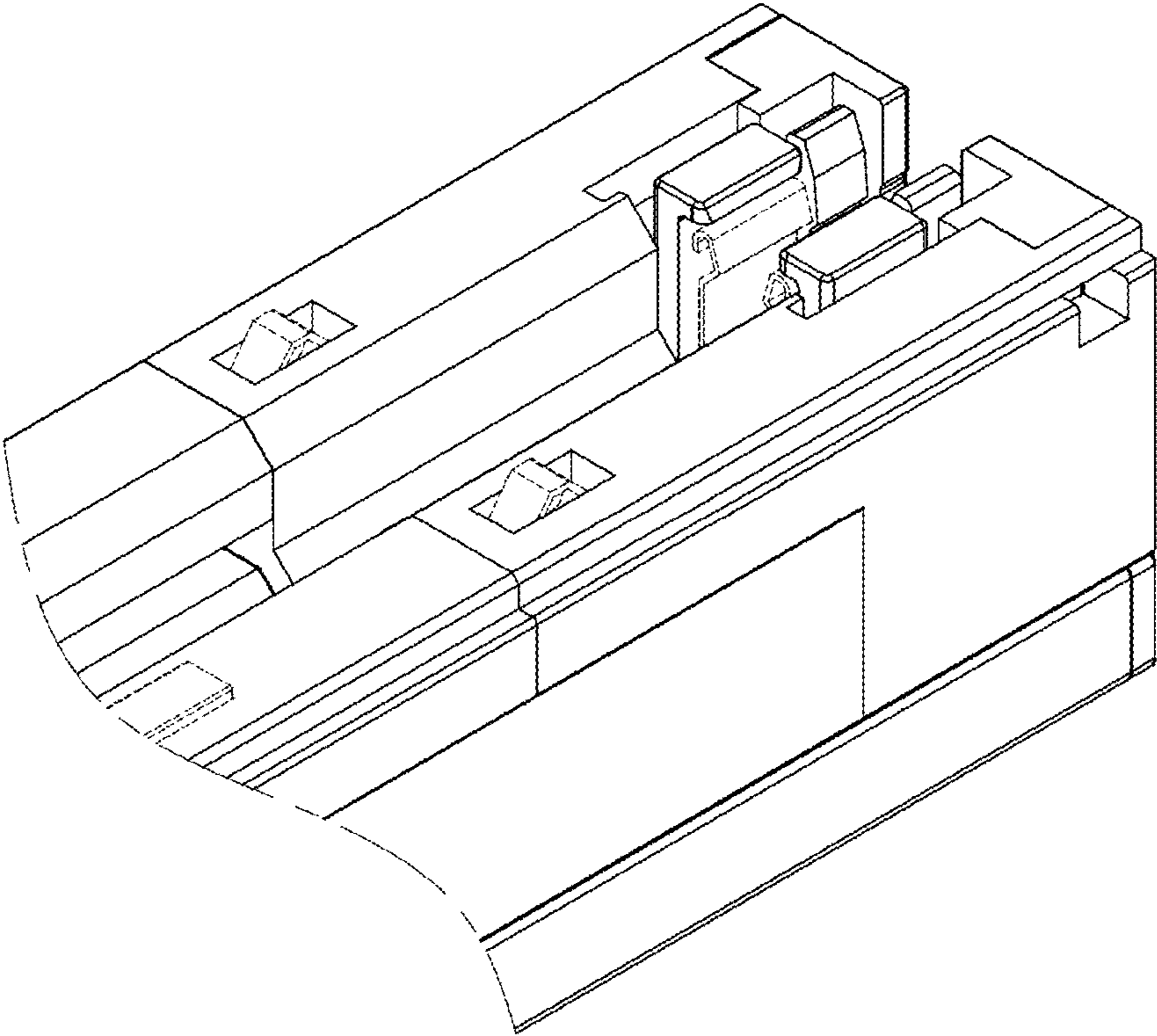


FIG. 11

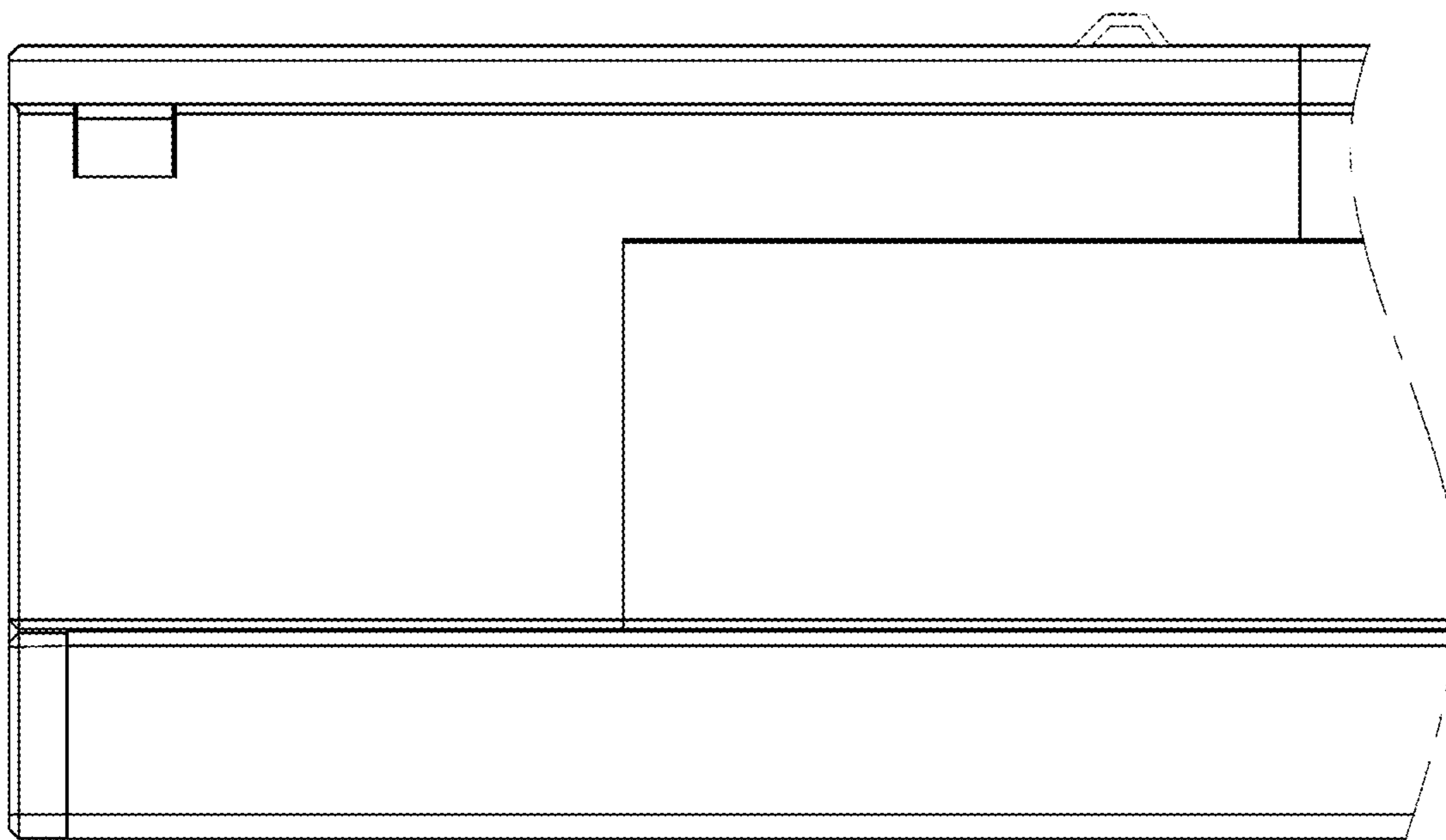




FIG.12

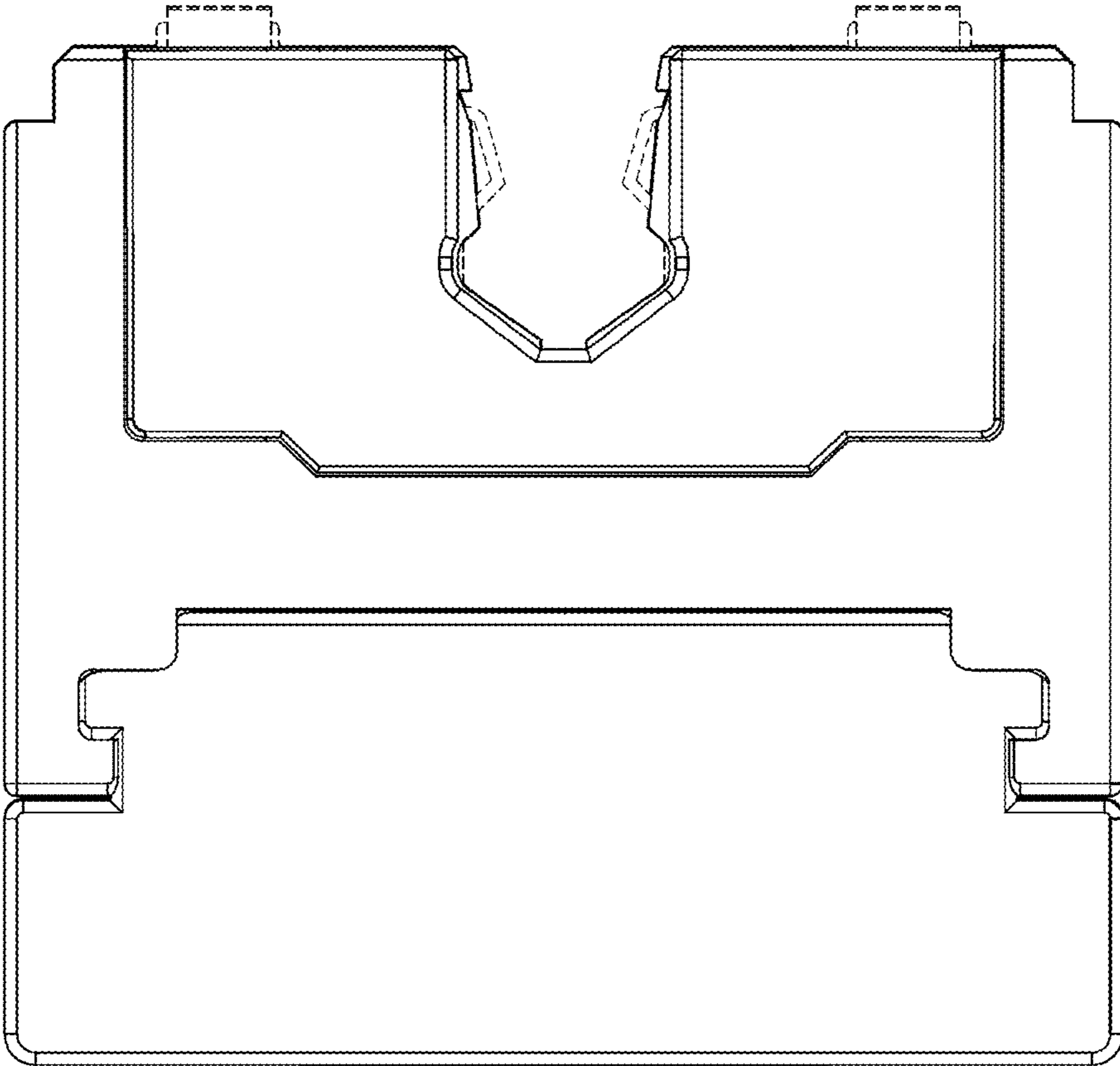


FIG. 13

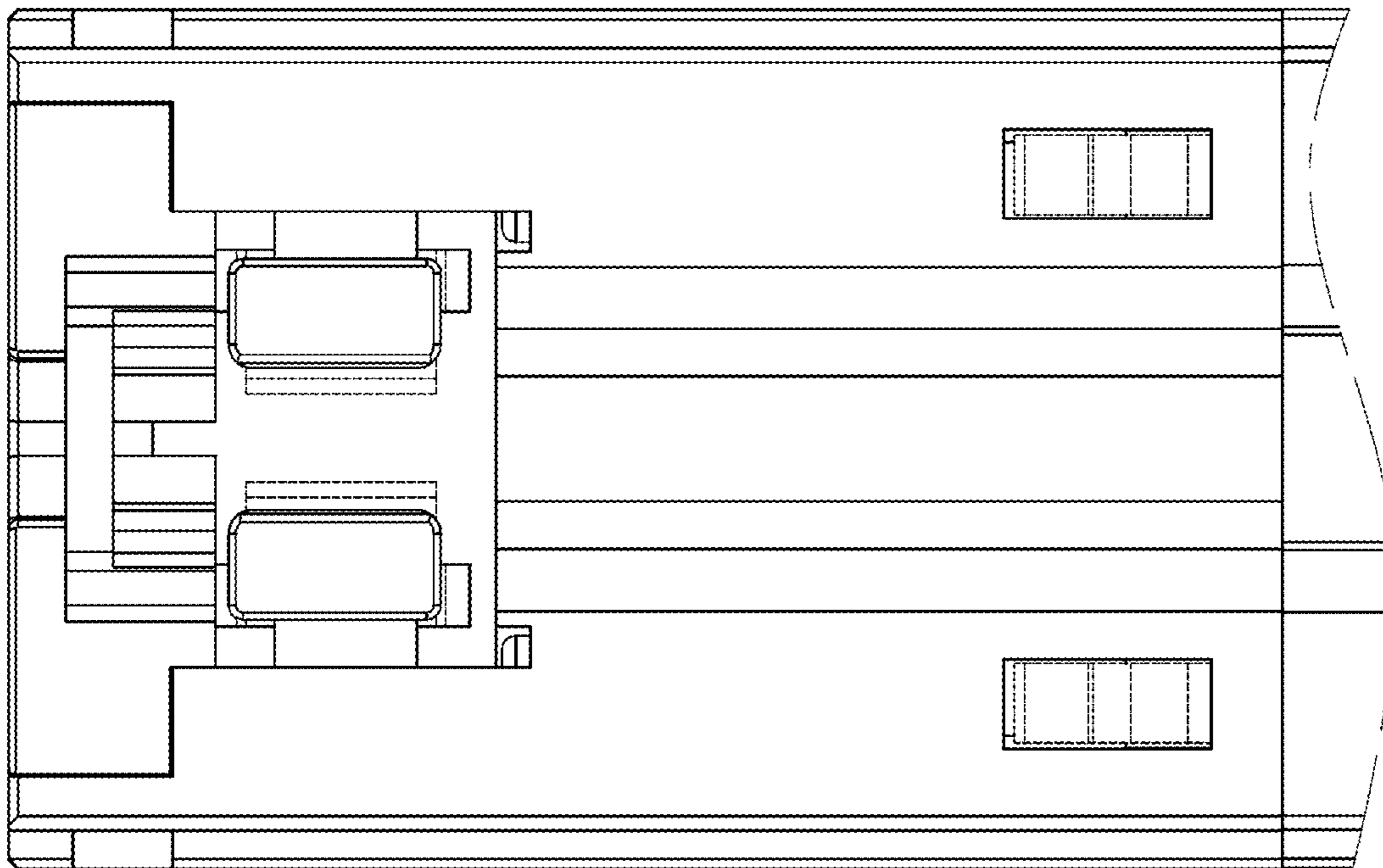


FIG. 14

