



US00D898266S

(12) **United States Design Patent** (10) **Patent No.:** **US D898,266 S**  
**Król** (45) **Date of Patent:** **\*\* Oct. 6, 2020**

(54) **STAGE LIGHTING FIXTURE**  
(71) Applicant: **IMPERIAL Sp. z o.o. Sp. k.,**  
Bialogard (PL)  
(72) Inventor: **Artur Król,** Bialogard (PL)  
(\*\*) Term: **15 Years**

D730,555 S \* 5/2015 Gebhard ..... D26/63  
D815,769 S \* 4/2018 Gong ..... D26/63  
D819,258 S \* 5/2018 Jurik ..... D26/122  
D825,806 S \* 8/2018 Jurik ..... D26/63  
D845,530 S \* 4/2019 Yu ..... D26/63  
D861,233 S \* 9/2019 Jurik ..... D26/124  
D863,639 S \* 10/2019 Roslonek ..... D26/63  
D884,951 S \* 5/2020 Amin ..... D26/63

\* cited by examiner

(21) Appl. No.: **35/507,678**

*Primary Examiner* — Natasha Vujcic

(22) Filed: **Jul. 17, 2019**

(57) **CLAIM**

(80) **Hague Agreement Data**

The ornamental design for a stage lighting fixture, as shown and described.

Int. Filing Date: **Jul. 17, 2019**  
Int. Reg. No.: **DM/203760**  
Int. Reg. Date: **Jul. 17, 2019**  
Int. Reg. Pub. Date: **Nov. 8, 2019**

**DESCRIPTION**

(51) **LOC (12) Cl.** ..... **26-05**

The patent or application file contains at least one drawing executed in color. Copies of this patent or patent application publication with color drawing(s) will be provided by the Office upon request and payment of the necessary fee.

(52) **U.S. Cl.**

USPC ..... **D26/63**

(58) **Field of Classification Search**

USPC ..... D26/61–63, 72, 74, 76, 78–83, 85, 86,  
D26/88, 90, 93, 104, 111, 113, 118–122,  
D26/138–142, 152  
CPC ..... F21S 2/00; F21S 4/00; F21S 4/003; F21S  
4/005; F21S 4/006; F21S 4/007; F21S  
4/008; F21S 6/00; F21S 8/00; F21S  
8/024; F21S 8/026; F21S 8/031; F21S  
8/033; F21S 8/035–037; F21S 8/04; F21S  
8/043; F21S 8/063

- 1. Stage lighting fixture
- 1.1 : Perspective
- 1.2 : Bottom
- 1.3 : Back
- 1.4 : Right
- 1.5 : Front
- 1.6 : Top
- 1.7 : Perspective

See application file for complete search history.

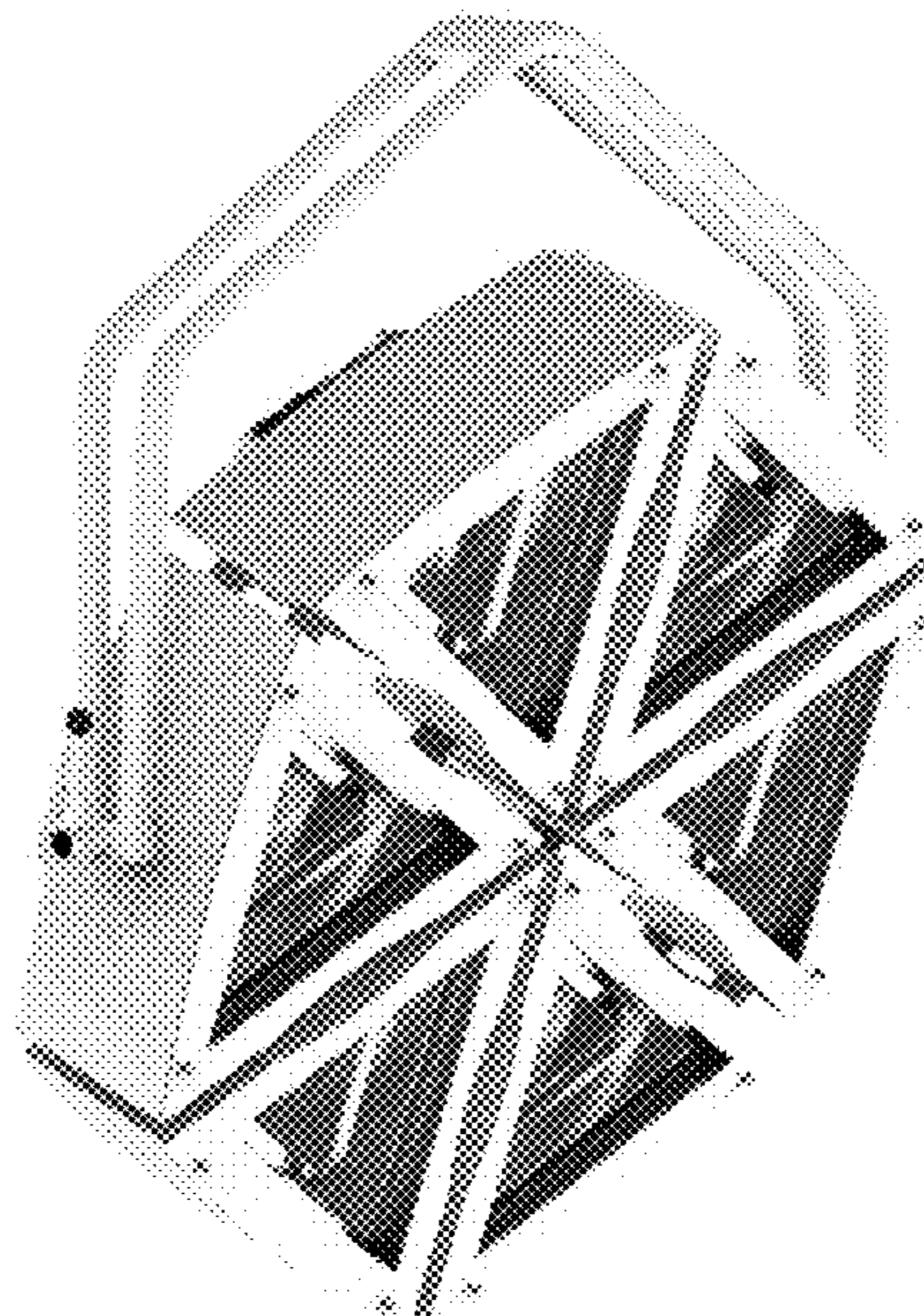
New design for a lighting fixture is shown, as set in the following specification; the claimed lighting fixture is used as a stage lighting; FIG. 1.1 is a front view of the light fixture showing the new design; FIG. 1.2 is a right view thereof; FIG. 1.3 is a bottom view thereof; FIG. 1.4 is a back view thereof; FIG. 1.5 is a top view thereof; FIG. 1.6 is a perspective view thereof; and FIG. 1.7 is a perspective view thereof.

(56) **References Cited**

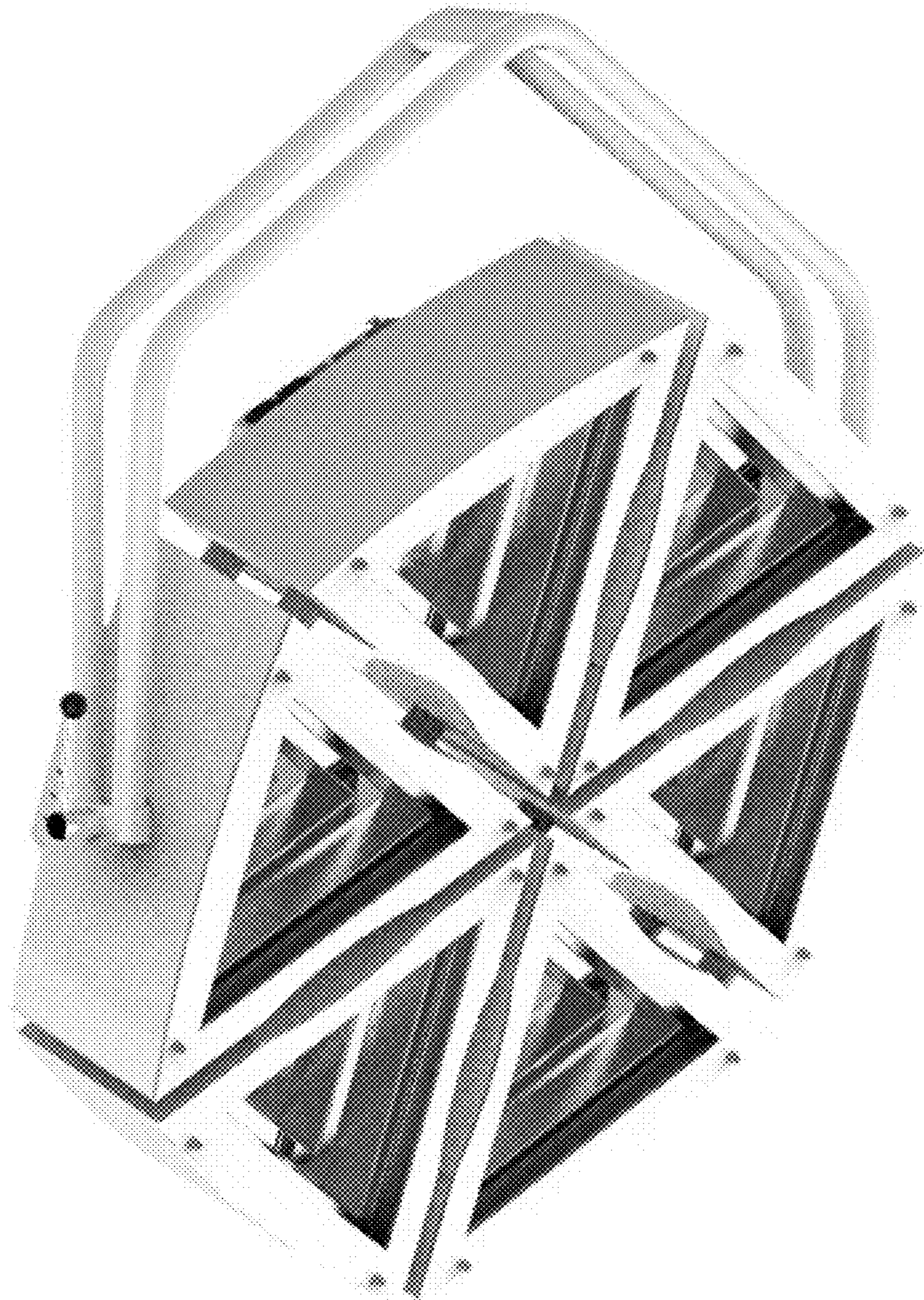
**U.S. PATENT DOCUMENTS**

D328,148 S \* 7/1992 Waldmann ..... D26/63  
D606,690 S \* 12/2009 Orrom ..... D26/61  
D728,840 S \* 5/2015 Eustace ..... D26/63

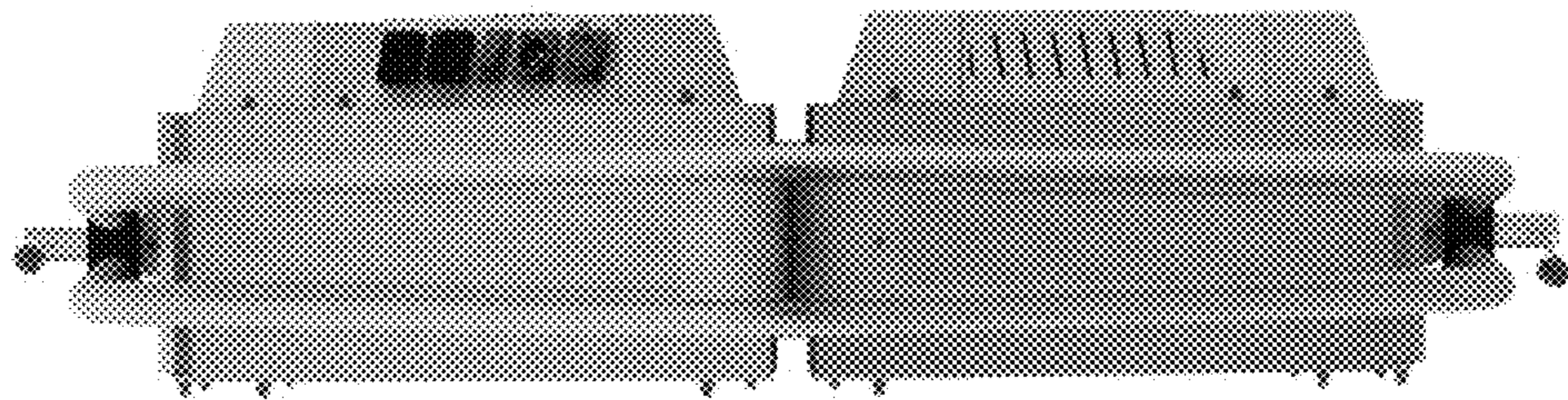
**1 Claim, 7 Drawing Sheets**  
**(6 of 7 Drawing Sheet(s) Filed in Color)**



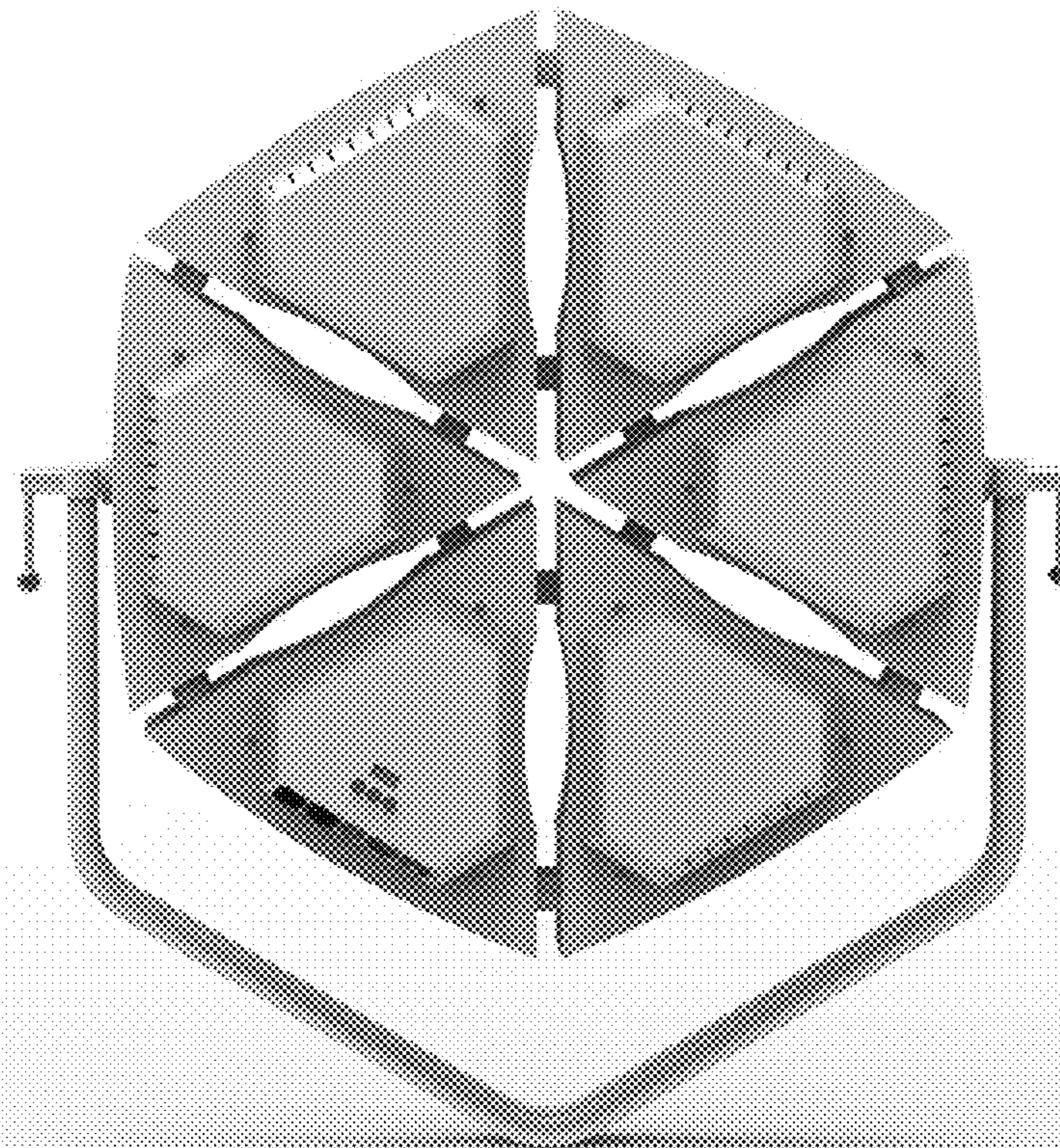
1.1



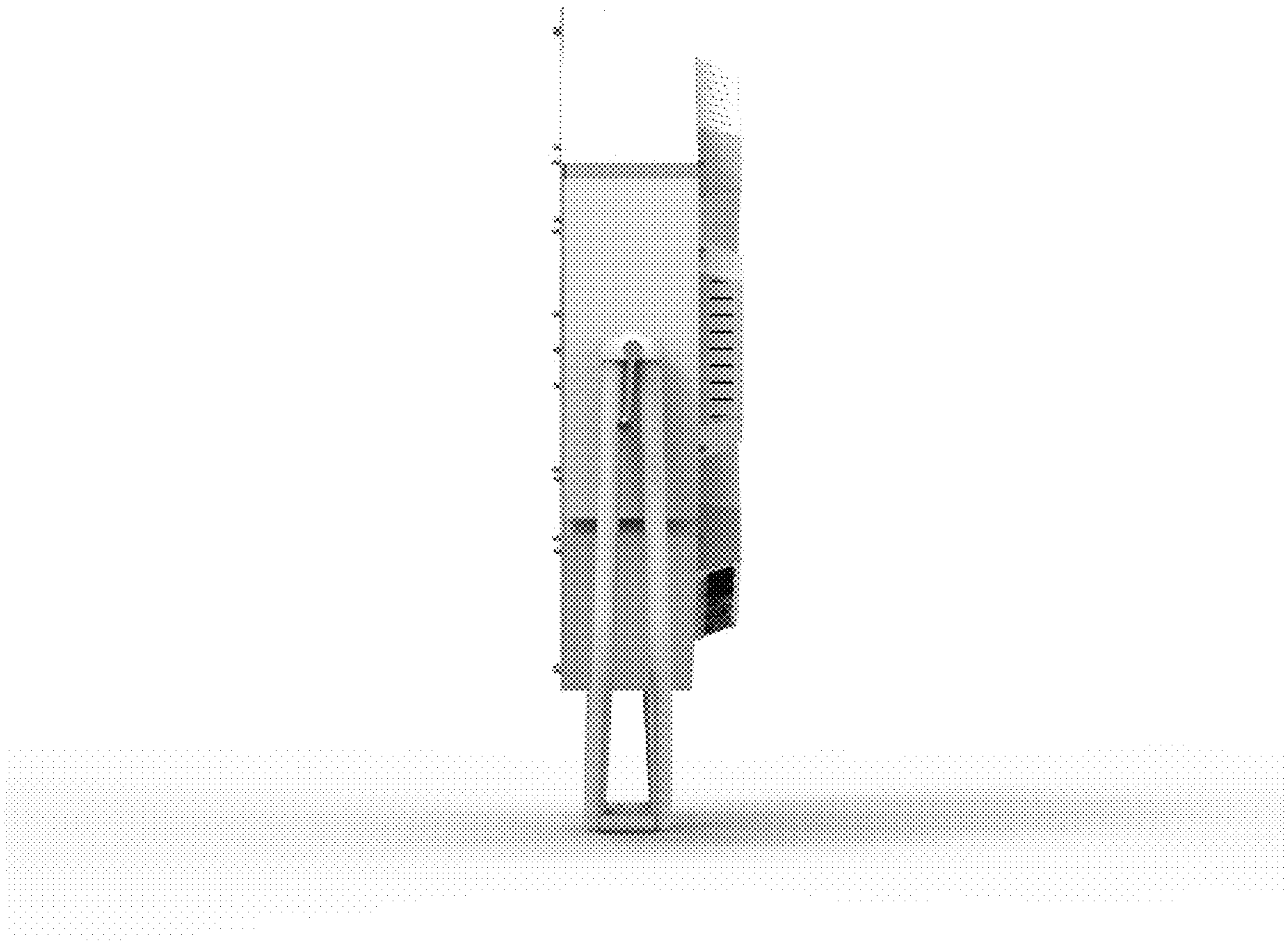
1.2



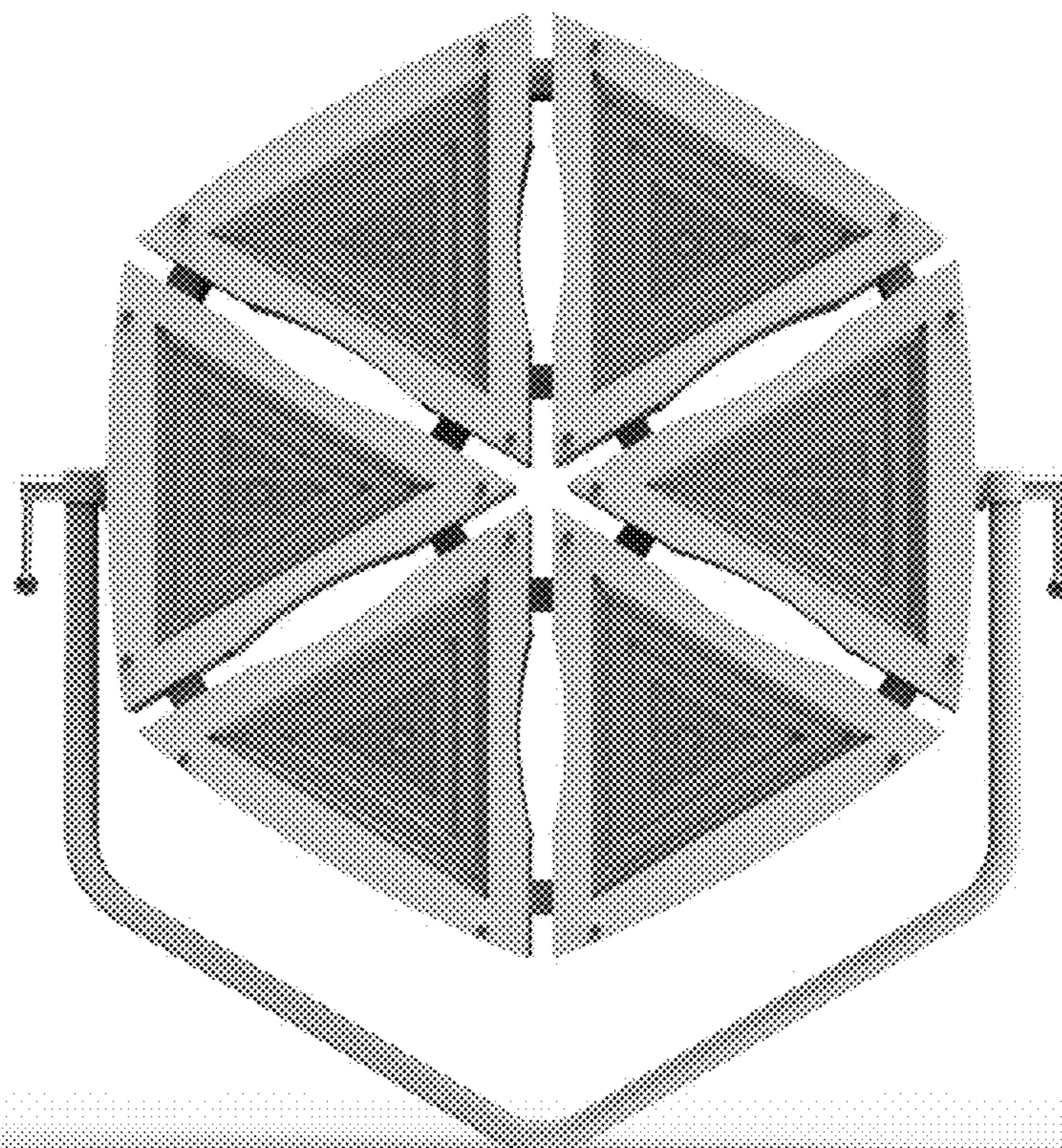
1.3



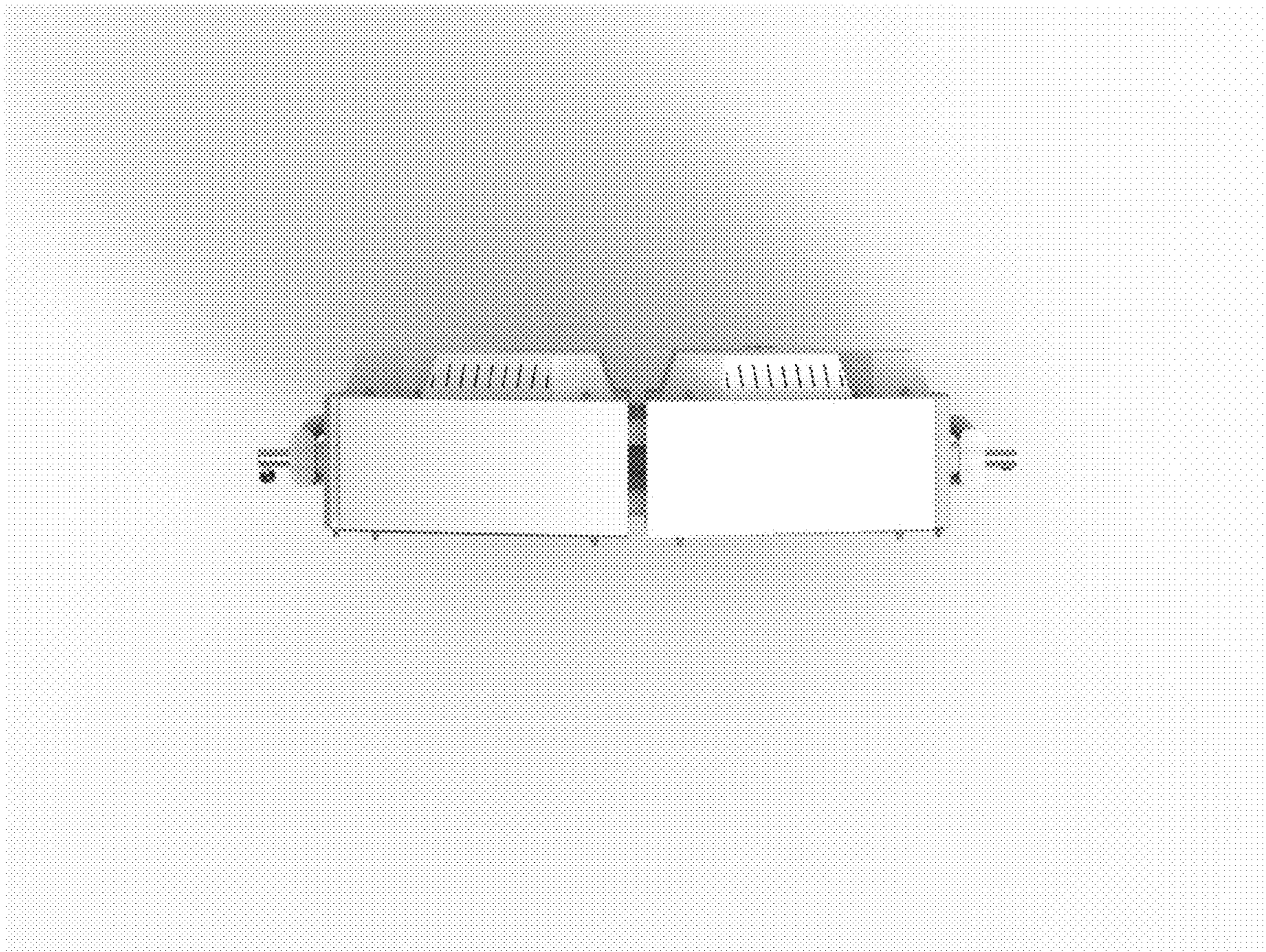
1.4



1.5



1.6



1.7

