



US00D898264S

(12) **United States Design Patent**
Ng et al.

(10) **Patent No.:** **US D898,264 S**

(45) **Date of Patent:** **** Oct. 6, 2020**

(54) **LAMP**

D810,352 S * 2/2018 Bibby D26/107
D877,398 S * 3/2020 Vasilev D26/106

(71) Applicant: **Koncept Technologies, Inc.**, Monrovia, CA (US)

* cited by examiner

(72) Inventors: **Kenneth Ng**, Monrovia, CA (US);
Edmund Ng, Monrovia, CA (US)

Primary Examiner — Brian N. Vinson

(74) *Attorney, Agent, or Firm* — Steins & Associates, P.C.

(73) Assignee: **KONCEPT TECHNOLOGIES, INC.**, Monrovia, CA (US)

(**) Term: **15 Years**

(21) Appl. No.: **29/686,780**

(22) Filed: **Apr. 8, 2019**

(51) **LOC (12) Cl.** **26-03**

(52) **U.S. Cl.**

USPC **D26/63; D26/107**

(58) **Field of Classification Search**

USPC D26/1, 24, 61, 63, 65, 85, 92

CPC F21V 21/14; F21V 15/01; F21V 14/02;

F21V 21/30; F21V 21/00; F21V 14/00;

F21S 8/00; F21S 8/003; F21S 8/043;

F21S 6/003; F21Y 2105/001

See application file for complete search history.

(56) **References Cited**

U.S. PATENT DOCUMENTS

D226,324 S * 2/1973 Longato D26/107

D319,704 S * 9/1991 Miserendino D26/107

(57) **CLAIM**

What is claimed is the ornamental design for a lamp, as shown.

DESCRIPTION

FIG. 1 is a perspective view of the lamp;

FIG. 2 is a front view of the lamp;

FIG. 3 is a back view of the lamp;

FIG. 4 is a right side view of the lamp;

FIG. 5 is a left side view of the lamp;

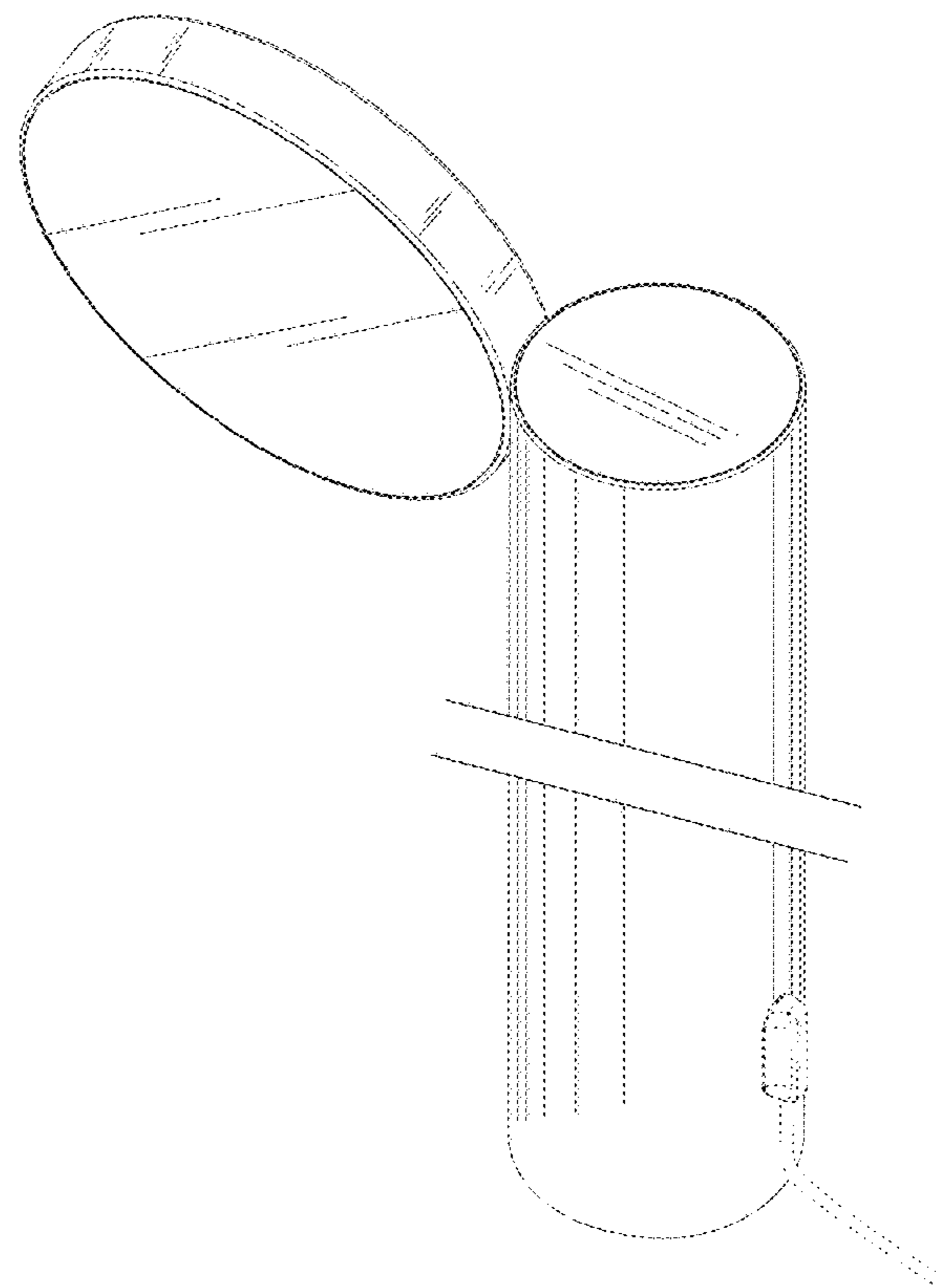
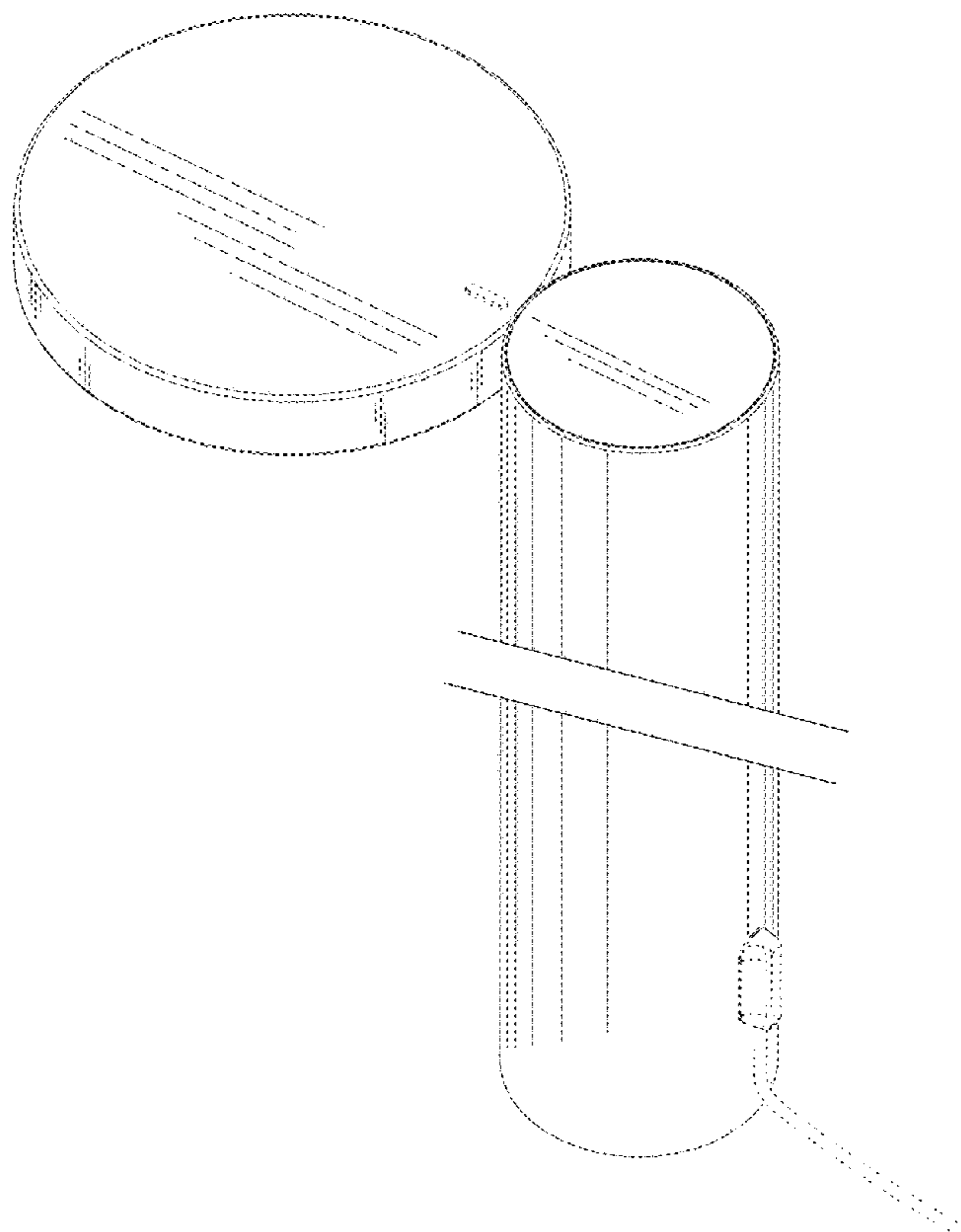
FIG. 6 is a top view of the lamp;

FIG. 7 is a bottom view of the lamp; and,

FIG. 8 is a perspective view of the lamp.

Note: The portions of the LAMP shown in broken lines form no part of the claimed design. The lamp is shown with symbolic breaks in its length. The appearance of any portion of the article between the break lines form no part of the claimed design.

1 Claim, 8 Drawing Sheets



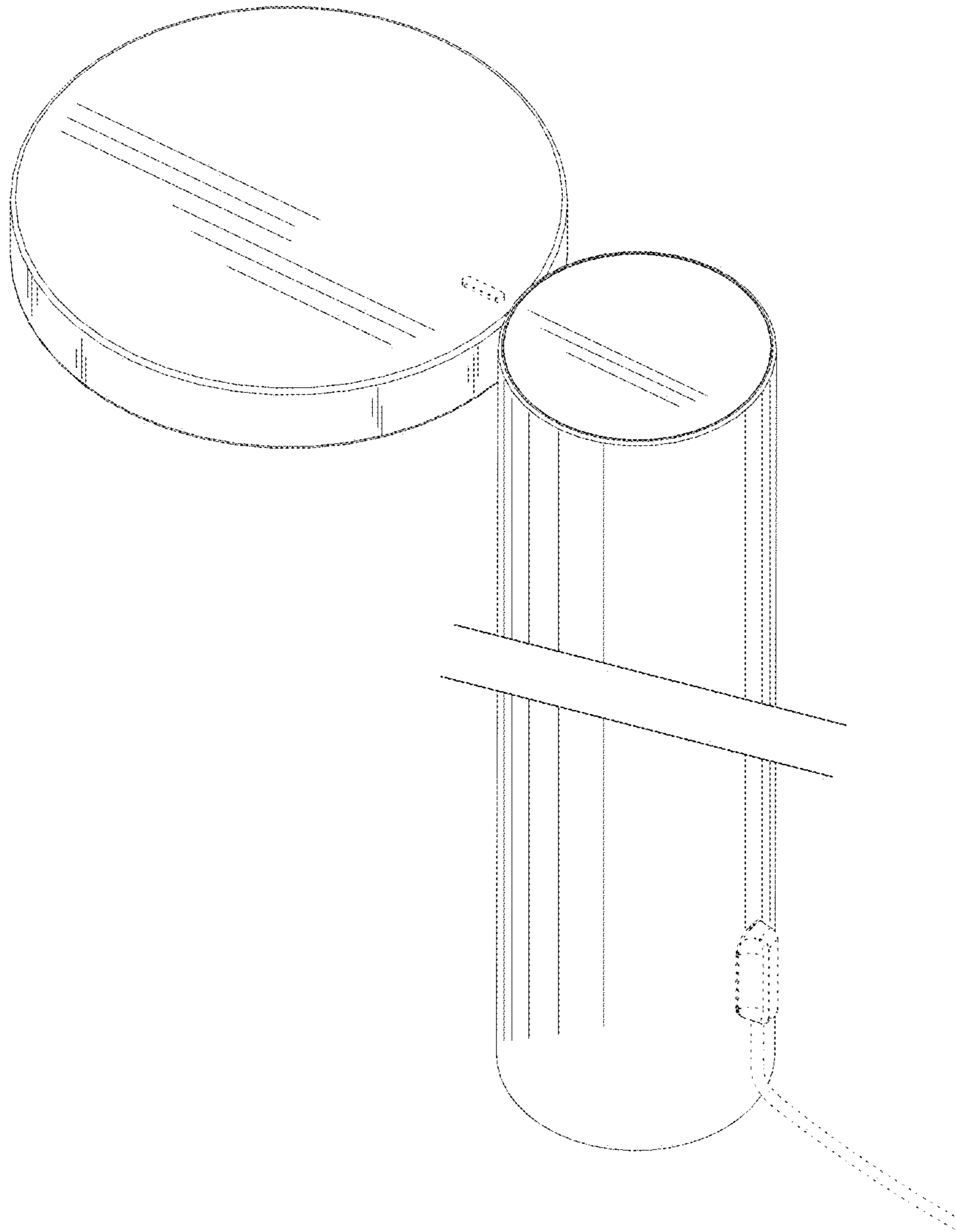


FIG. 1

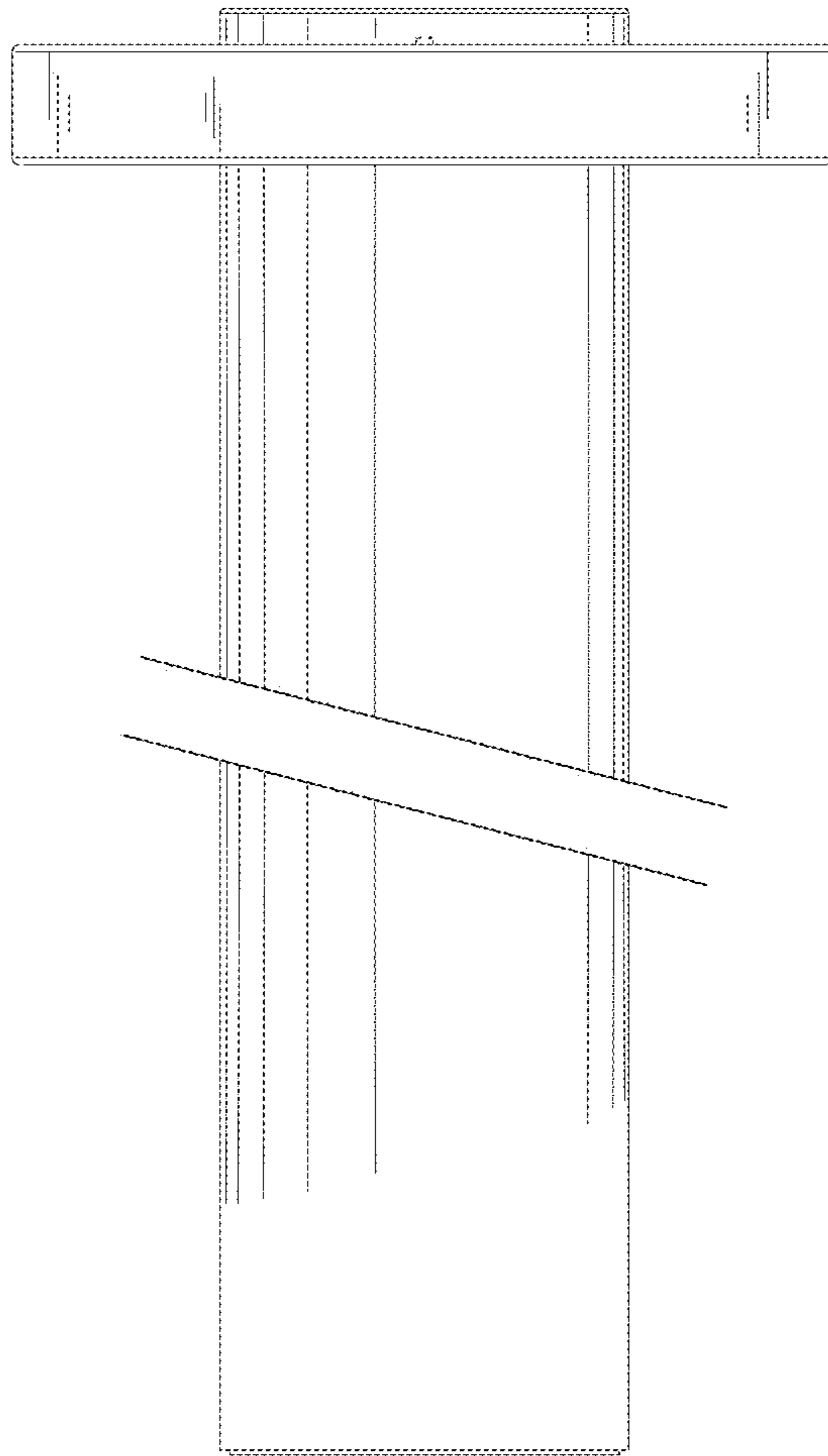


FIG. 2

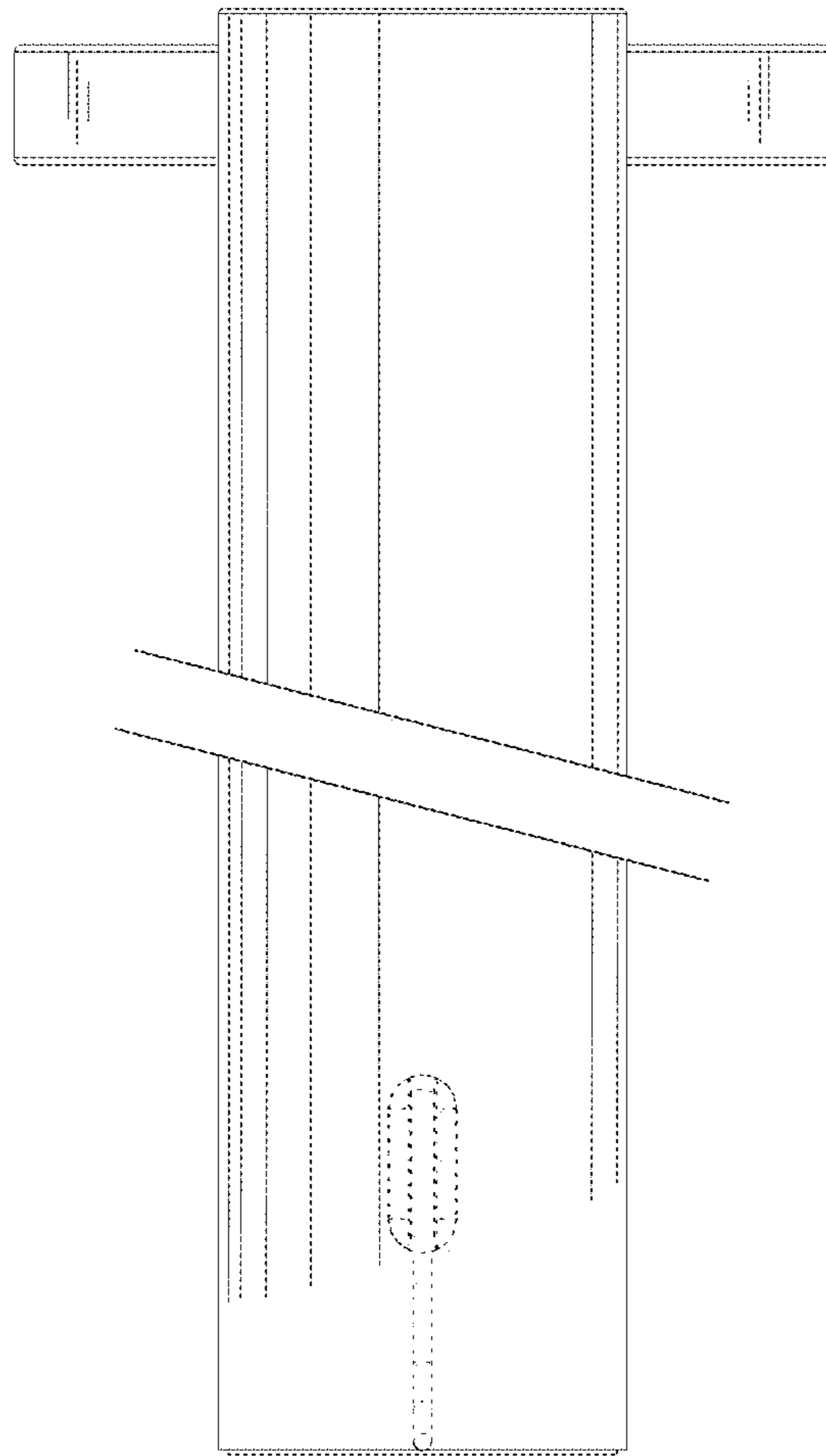


FIG. 3

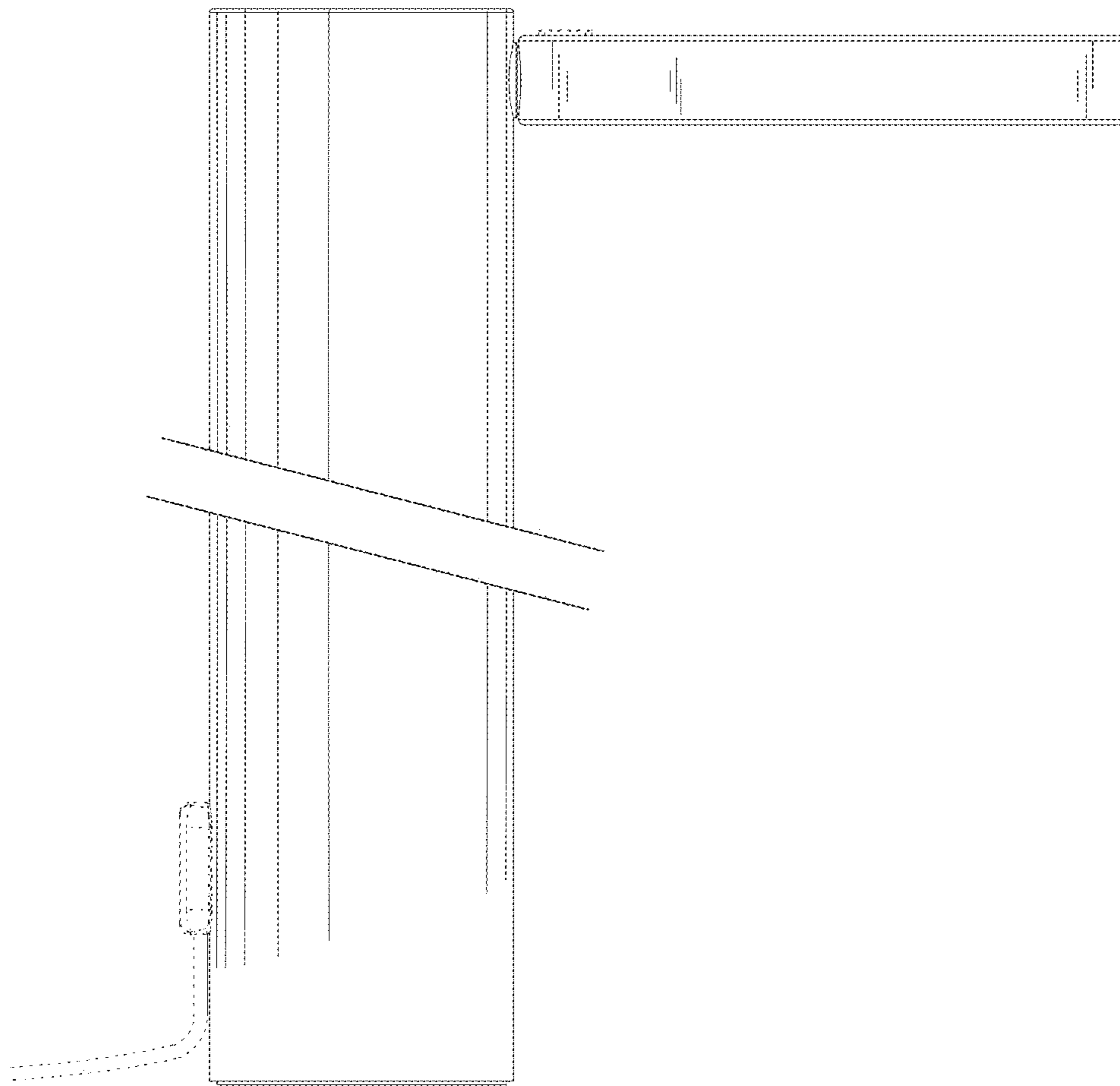


FIG. 4

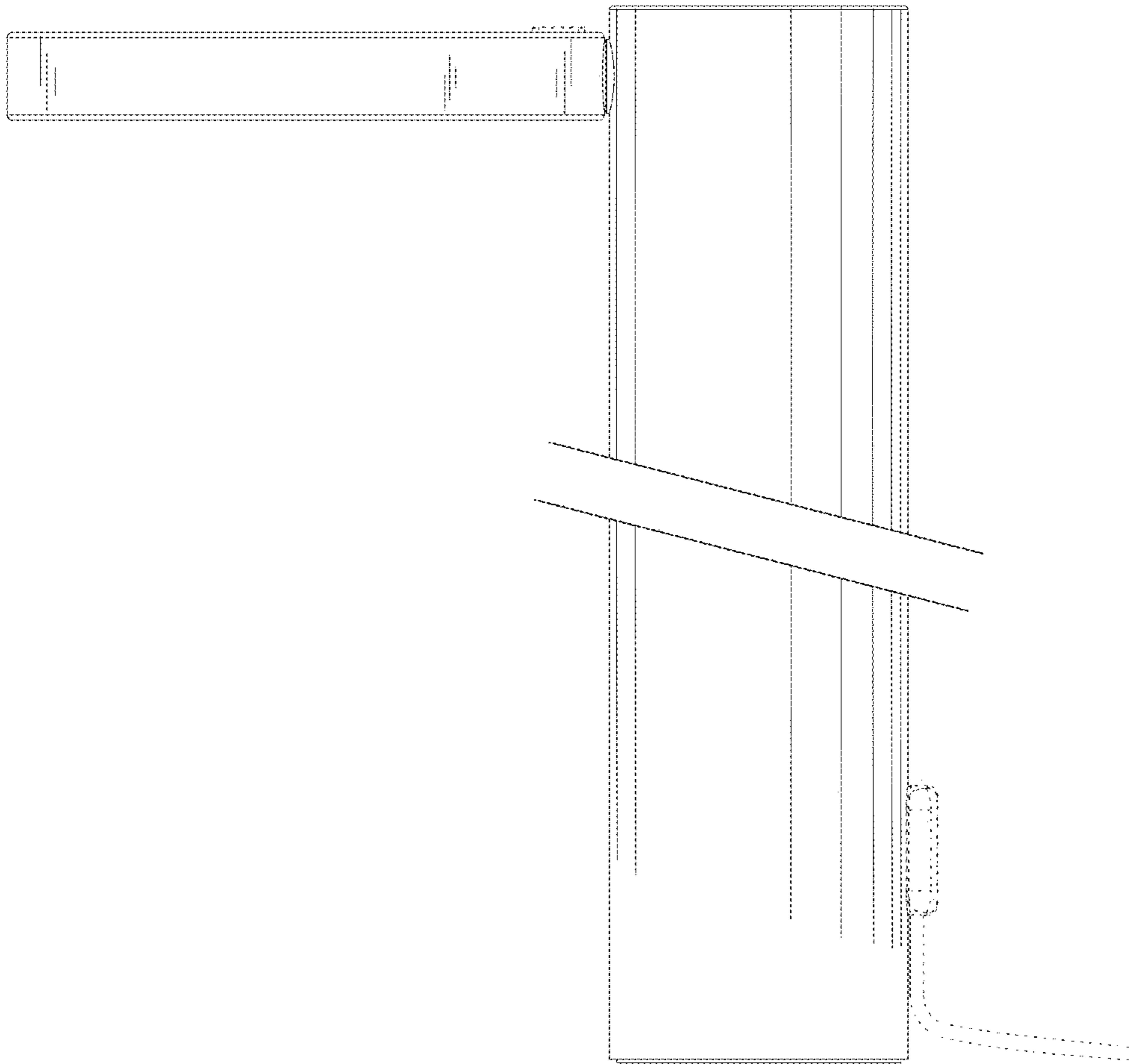


FIG. 5

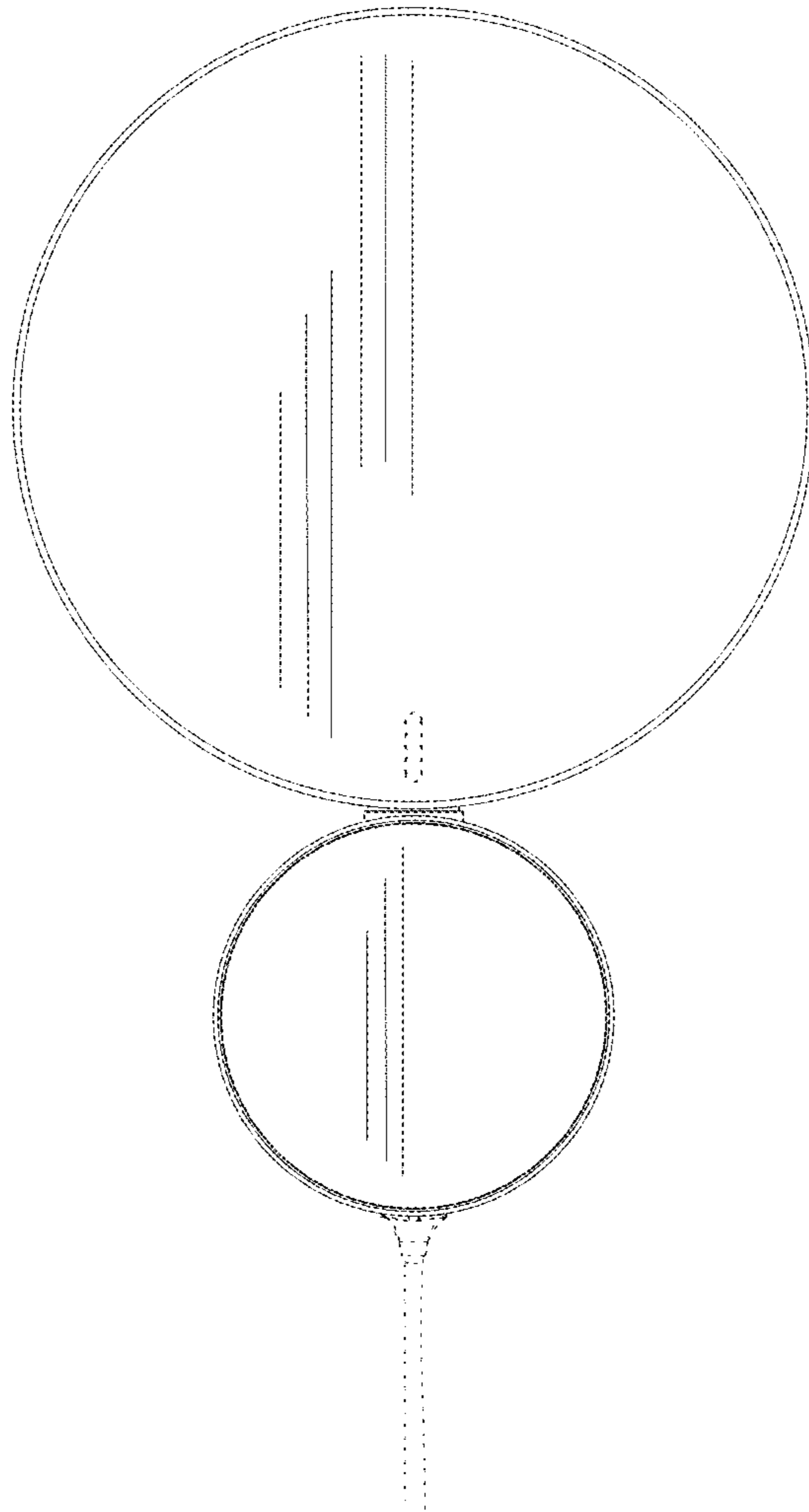


FIG. 6

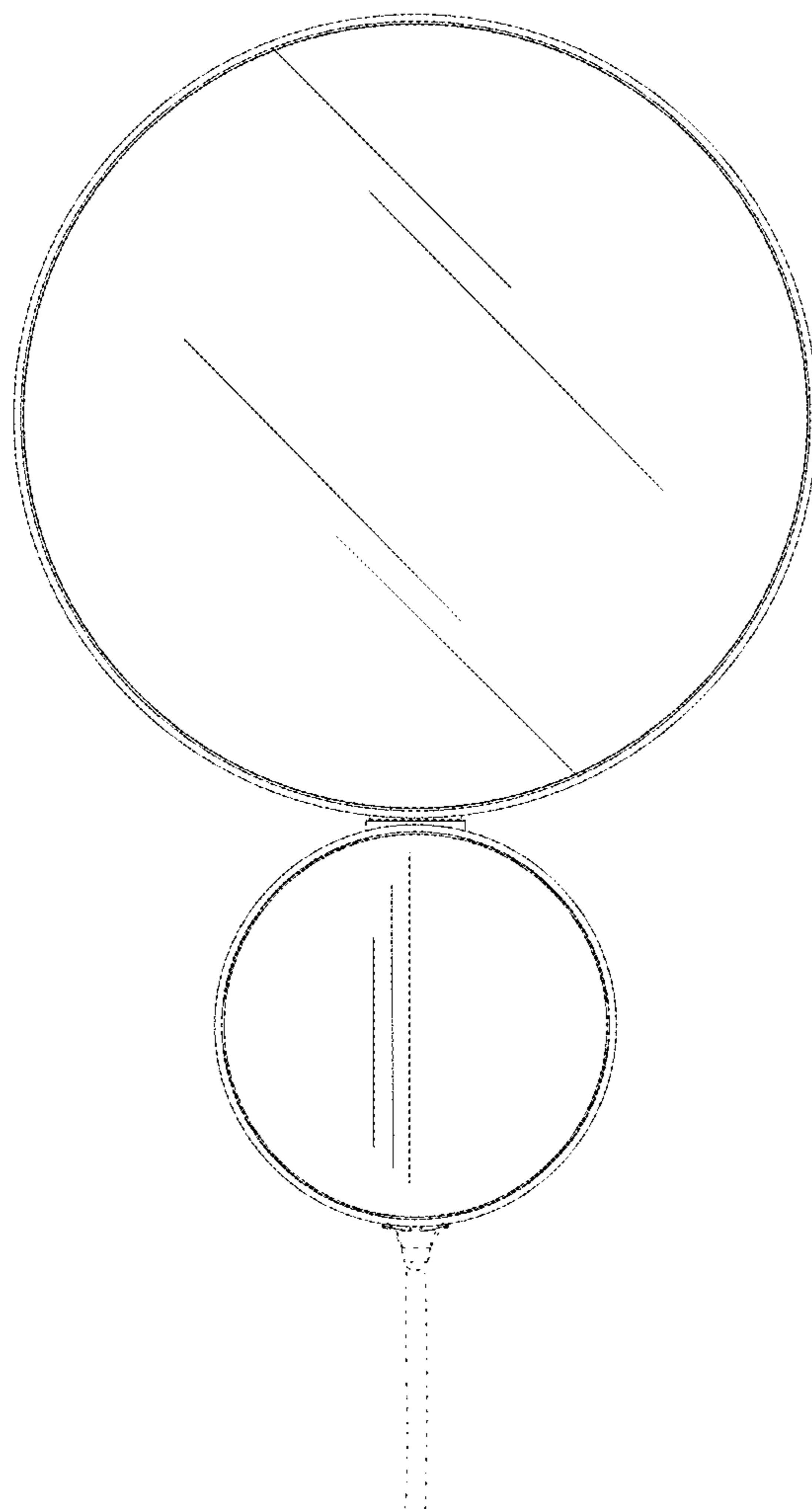


FIG. 7

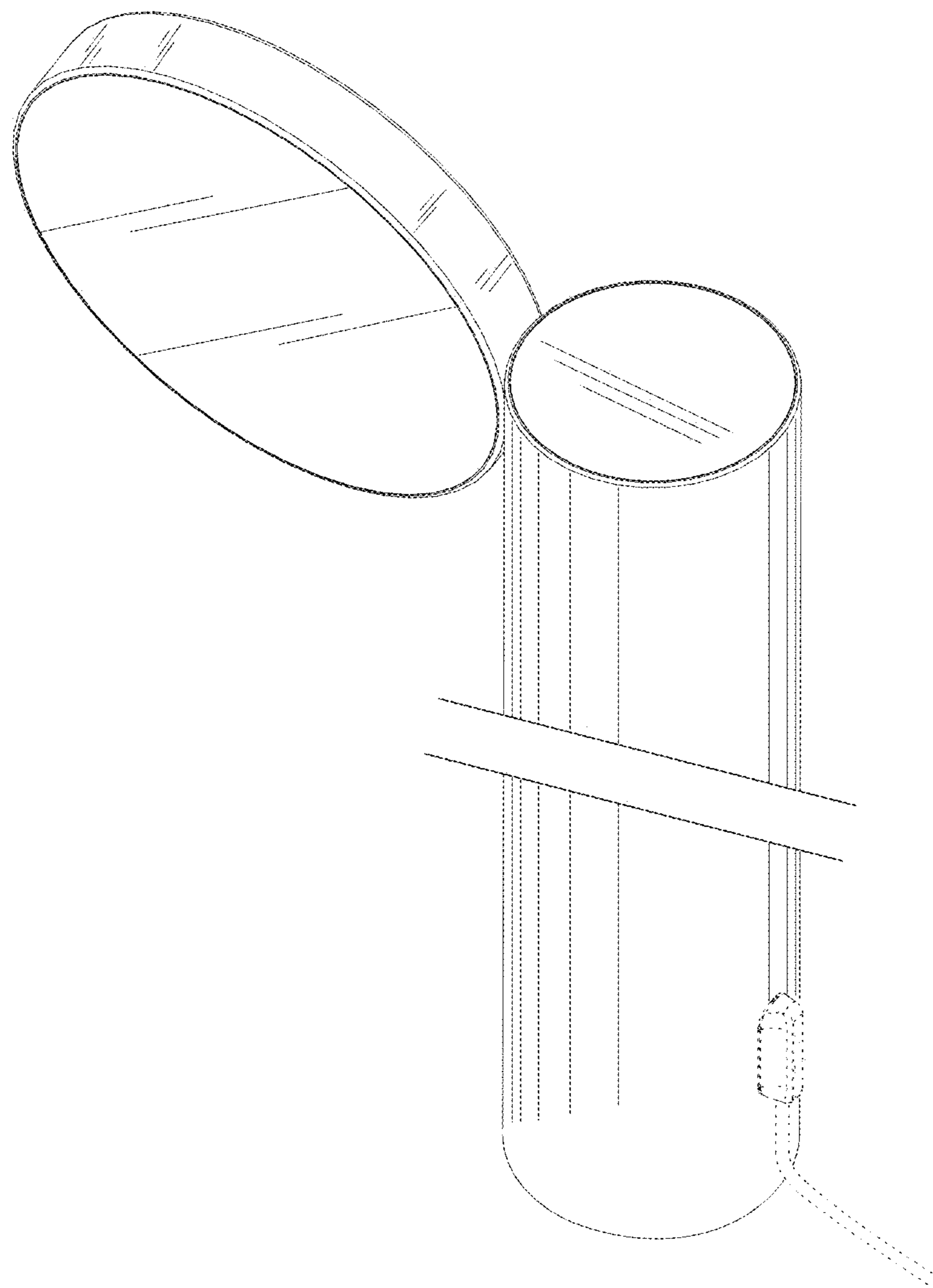


FIG. 8