



US00D898263S

(12) **United States Design Patent**
Liu

(10) **Patent No.:** **US D898,263 S**
(45) **Date of Patent:** **** Oct. 6, 2020**

(54) **INTEGRATED SOLAR LED STREET LIGHT**

(71) Applicant: **Yinghua Liu, Ji'an (CN)**

(72) Inventor: **Yinghua Liu, Ji'an (CN)**

(**) Term: **15 Years**

(21) Appl. No.: **29/682,212**

(22) Filed: **Mar. 4, 2019**

(51) **LOC (12) Cl.** **26-03**

(52) **U.S. Cl.**
USPC **D26/63**

(58) **Field of Classification Search**
USPC D26/63, 67-72, 87, 92, 118
CPC .. F21S 8/085; F21S 8/086; F21S 8/068; F21S
9/03; F21S 9/037; F21W 2131/103;
F21W 2131/107; F21W 2131/109; F21V
3/02
See application file for complete search history.

(56) **References Cited**

U.S. PATENT DOCUMENTS

D788,966 S *	6/2017	Gan	D26/63
D826,448 S *	8/2018	Wan	D26/71
D831,254 S *	10/2018	Pouladian	D26/71
D837,434 S *	1/2019	Wei	D26/80
D839,464 S *	1/2019	Chen	D26/63
D860,497 S *	9/2019	Zhu	D26/71

D882,847 S *	4/2020	Chami	D26/63
2014/0218944 A1 *	8/2014	Hobson	F21S 8/086 362/418
2017/0370553 A1 *	12/2017	Demuyneck	F21V 3/02

* cited by examiner

Primary Examiner — Brian N. Vinson

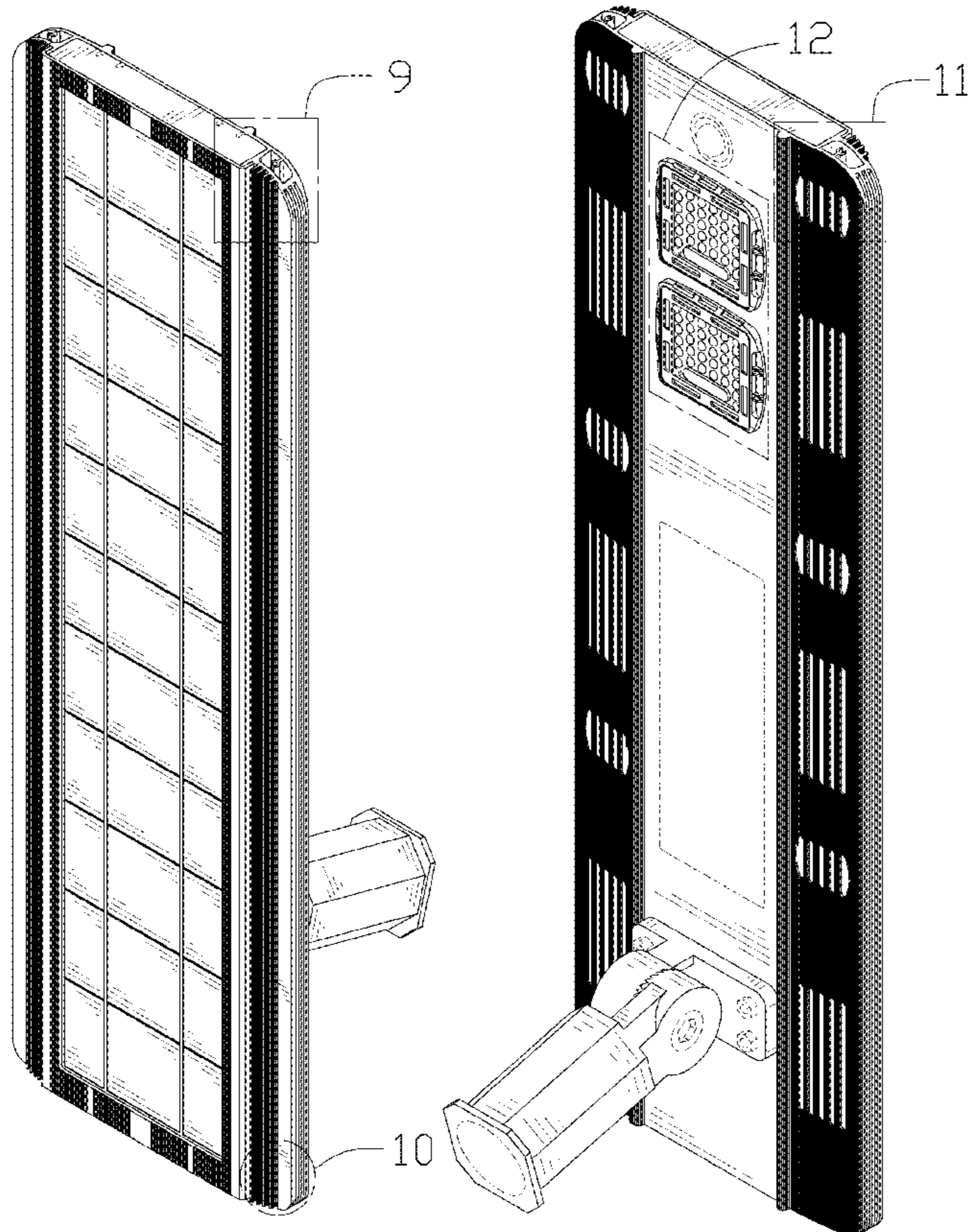
(57) **CLAIM**

The ornamental design for an integrated solar LED street light, as shown and described.

DESCRIPTION

FIG. 1 is a perspective view of an integrated solar LED street light showing my new design;
FIG. 2 is another perspective view thereof;
FIG. 3 is a front elevational view thereof;
FIG. 4 is a rear elevational view thereof;
FIG. 5 is a left side elevational view thereof;
FIG. 6 is a right side elevational view thereof;
FIG. 7 is a top plan view thereof;
FIG. 8 is a bottom plan view thereof;
FIG. 9 is an enlarged view of portion 9 shown in FIG. 1;
FIG. 10 is an enlarged view of portion 10 shown in FIG. 1;
FIG. 11 is an enlarged view of portion 11 shown in FIG. 2;
FIG. 12 is an enlarged view of portion 12 shown in FIG. 2;
and,
FIG. 13 is an enlarged view of portion 13 shown in FIG. 7.
The broken lines in the drawings depict portions of the integrated solar LED street light that form no part of the claimed design.

1 Claim, 13 Drawing Sheets



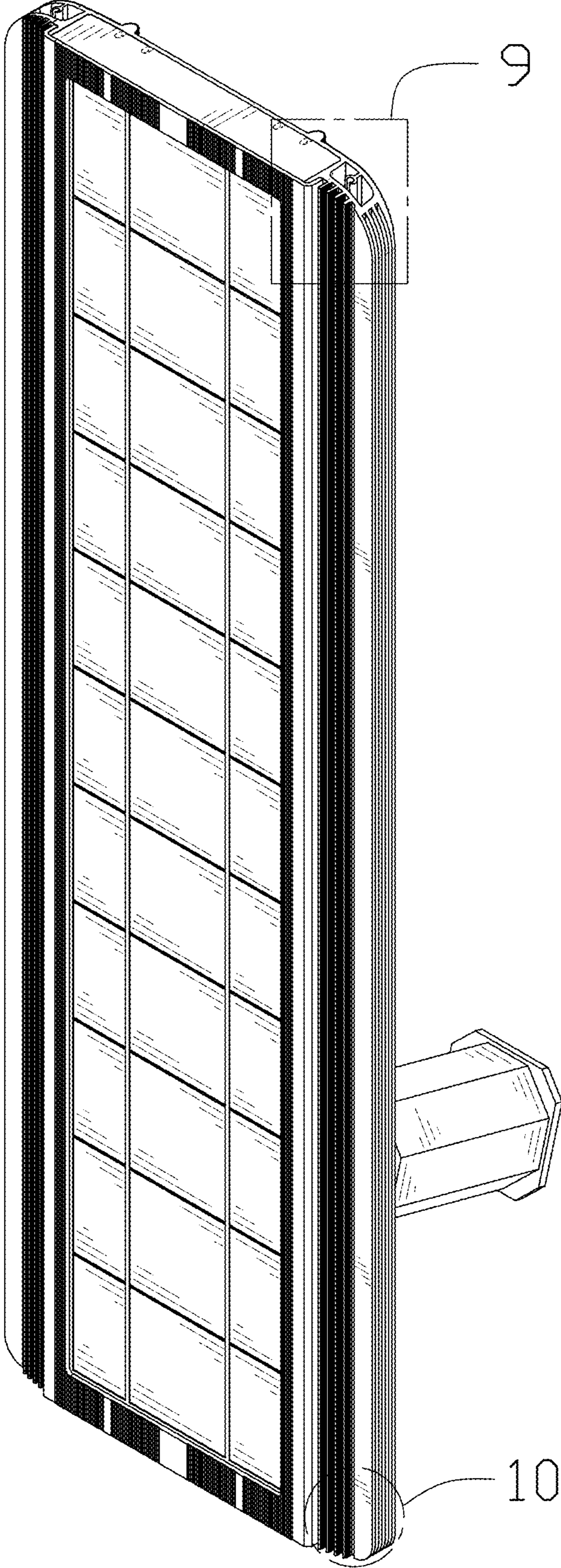


FIG. 1

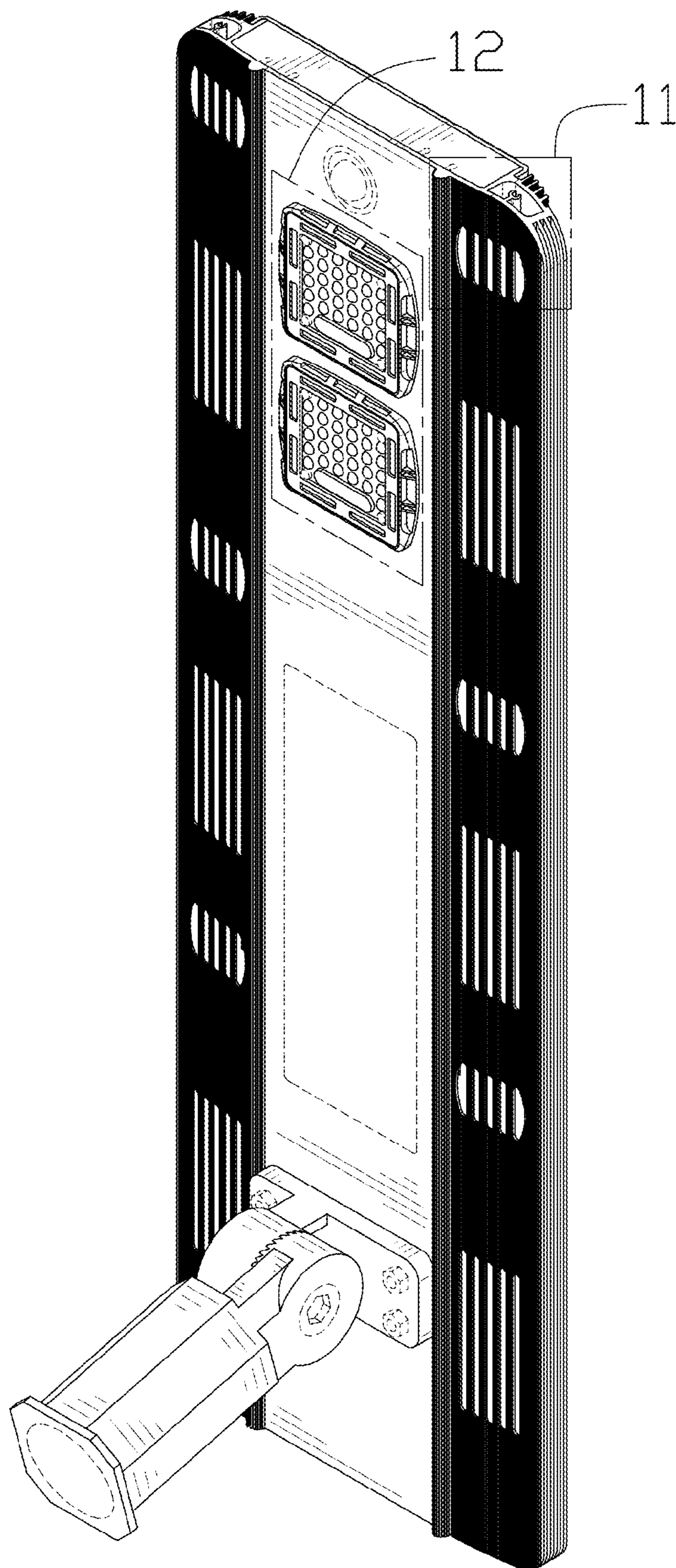


FIG. 2

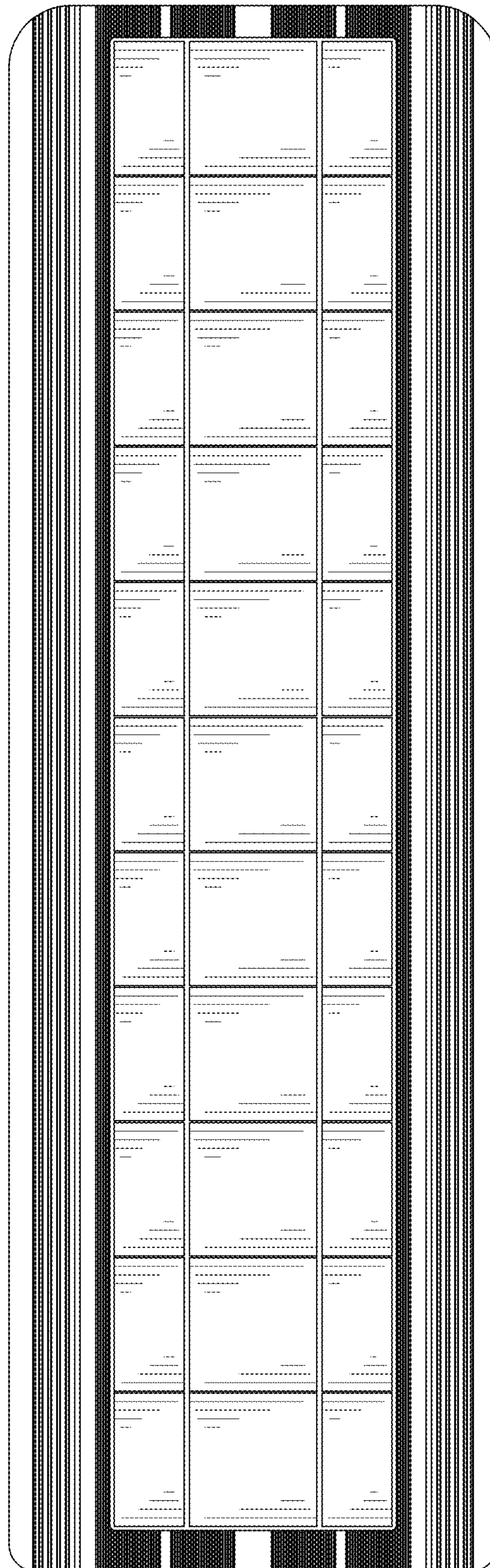


FIG. 3

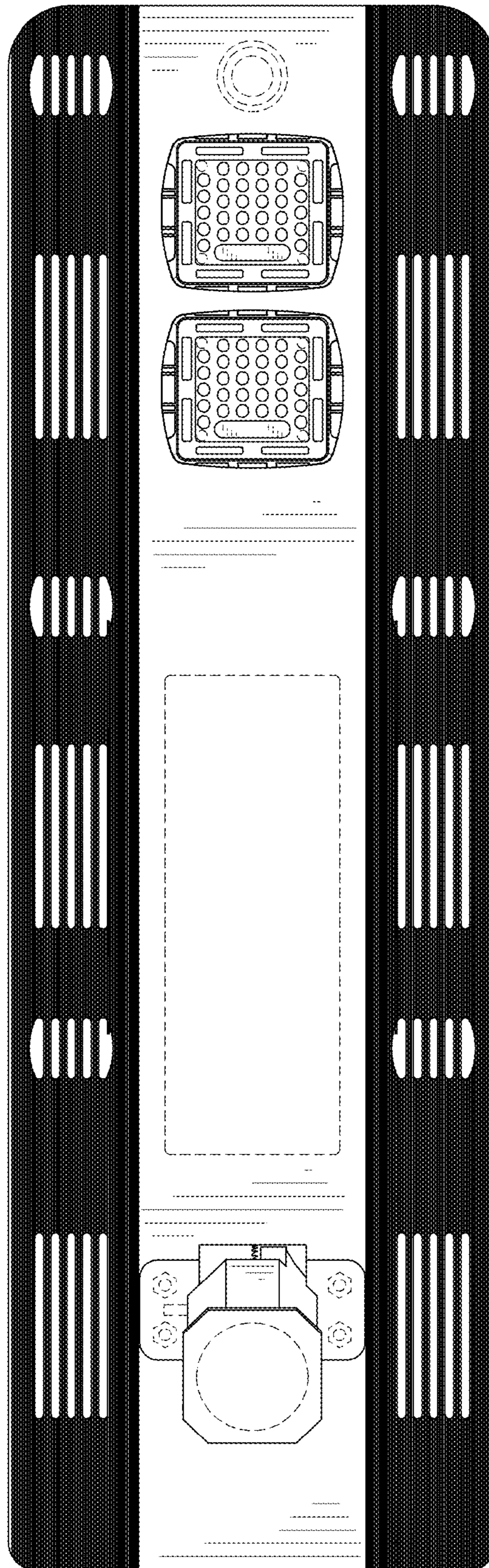


FIG. 4

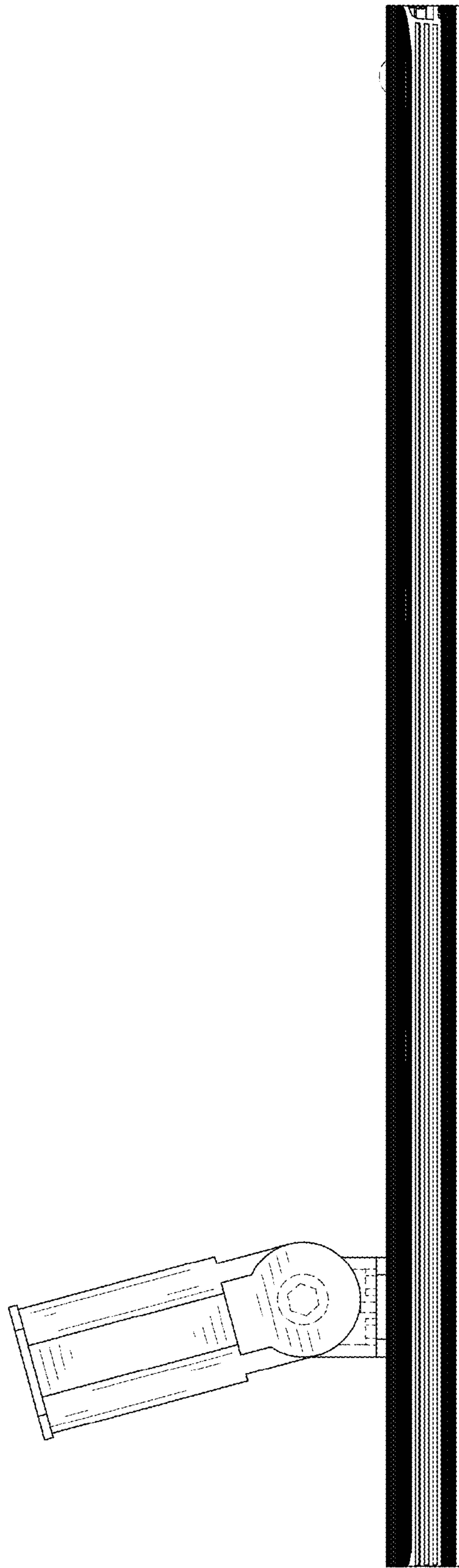


FIG. 5

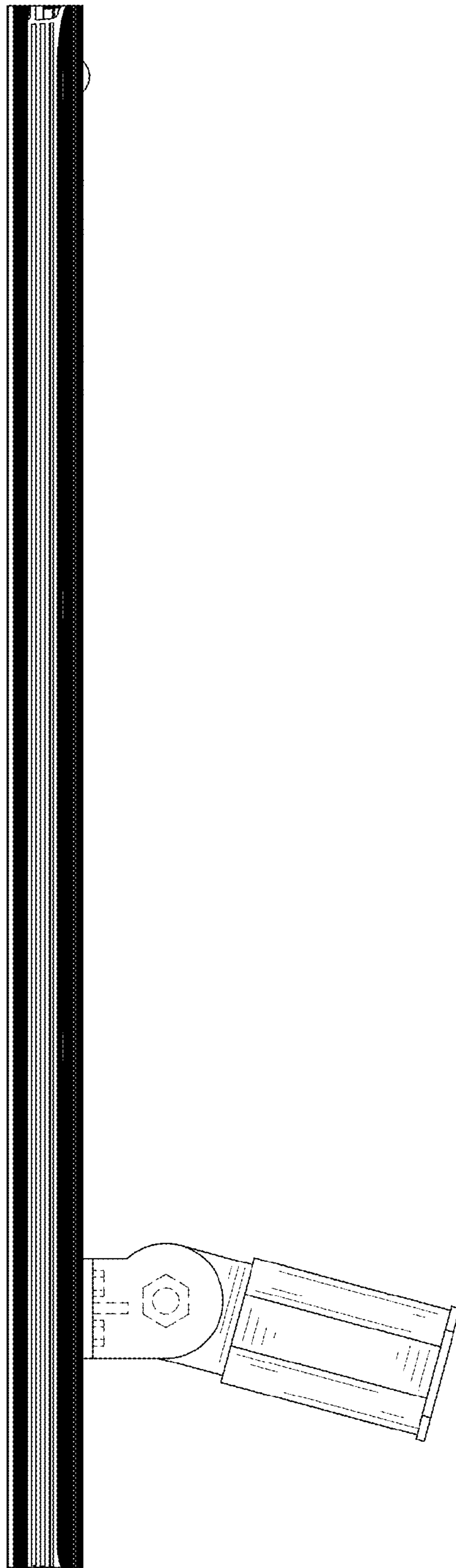


FIG. 6

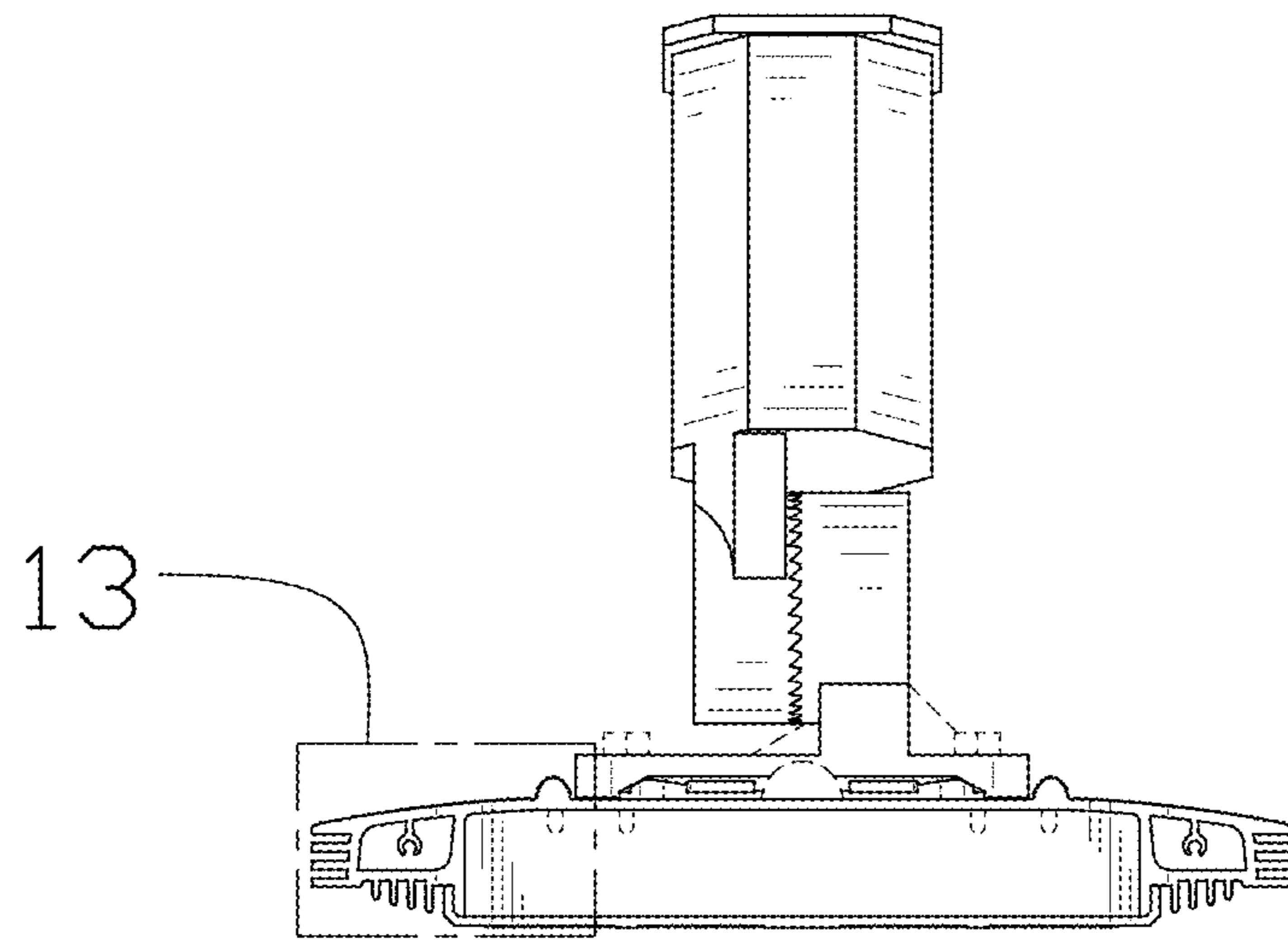


FIG. 7

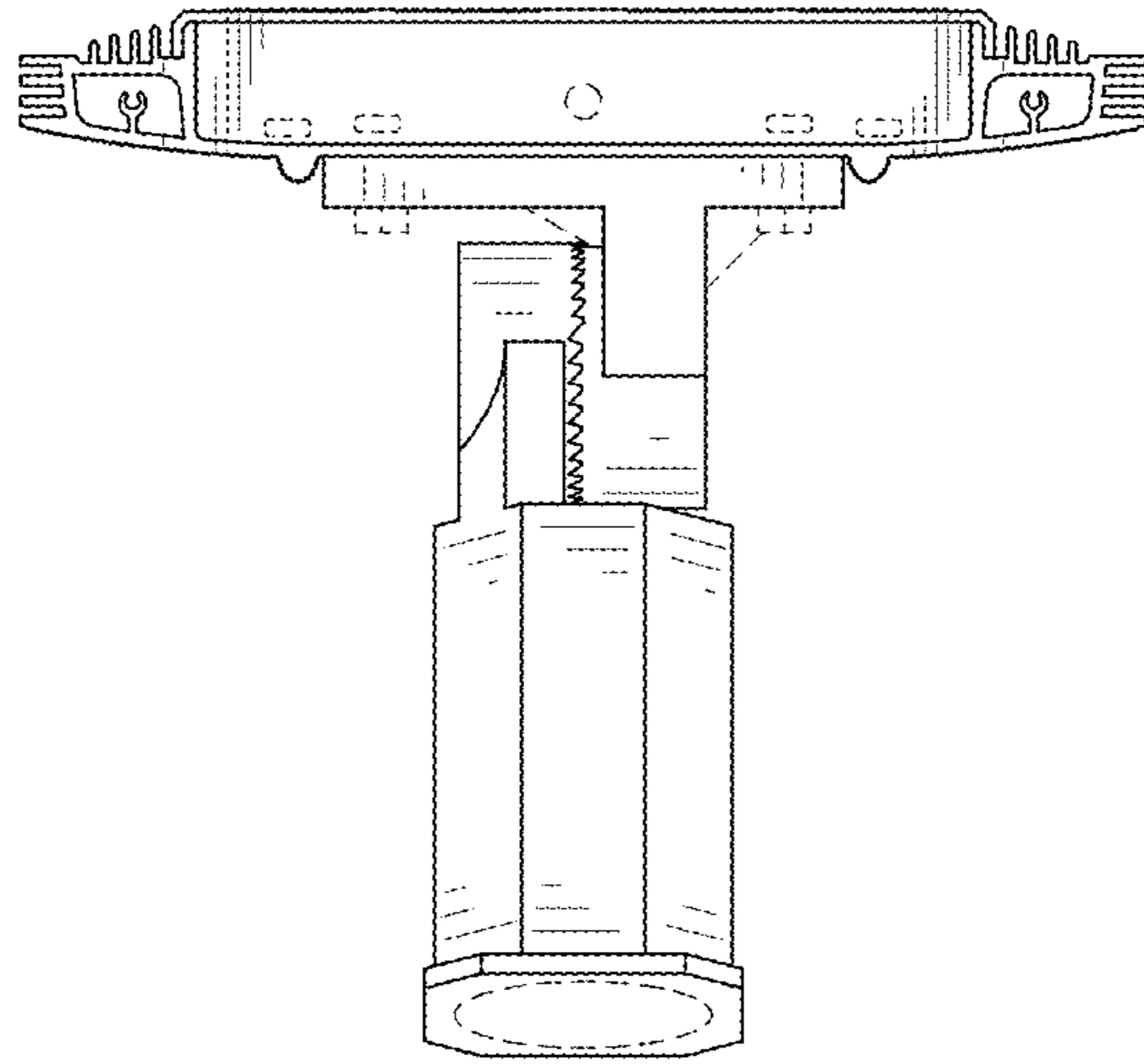


FIG. 8

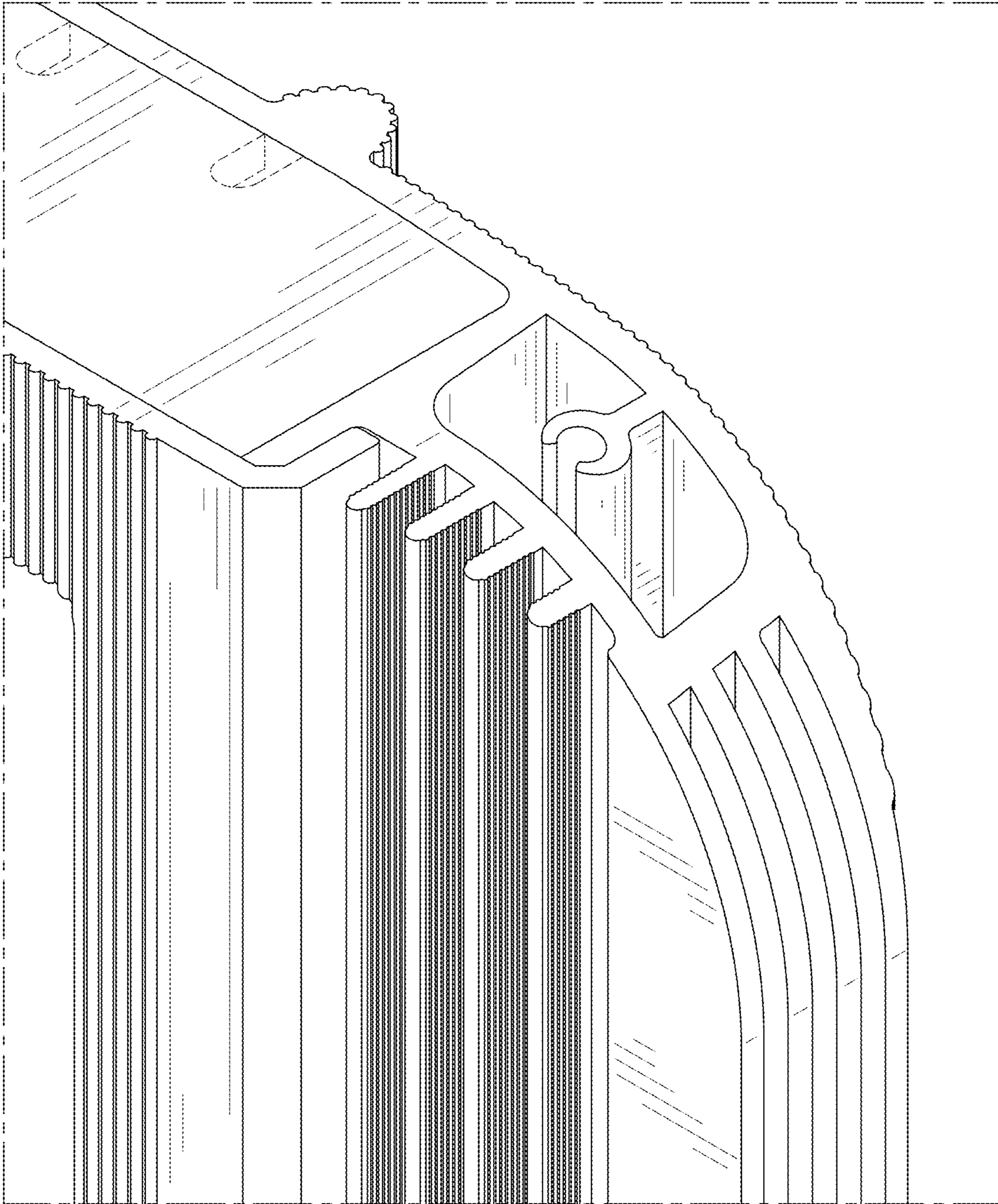


FIG. 9

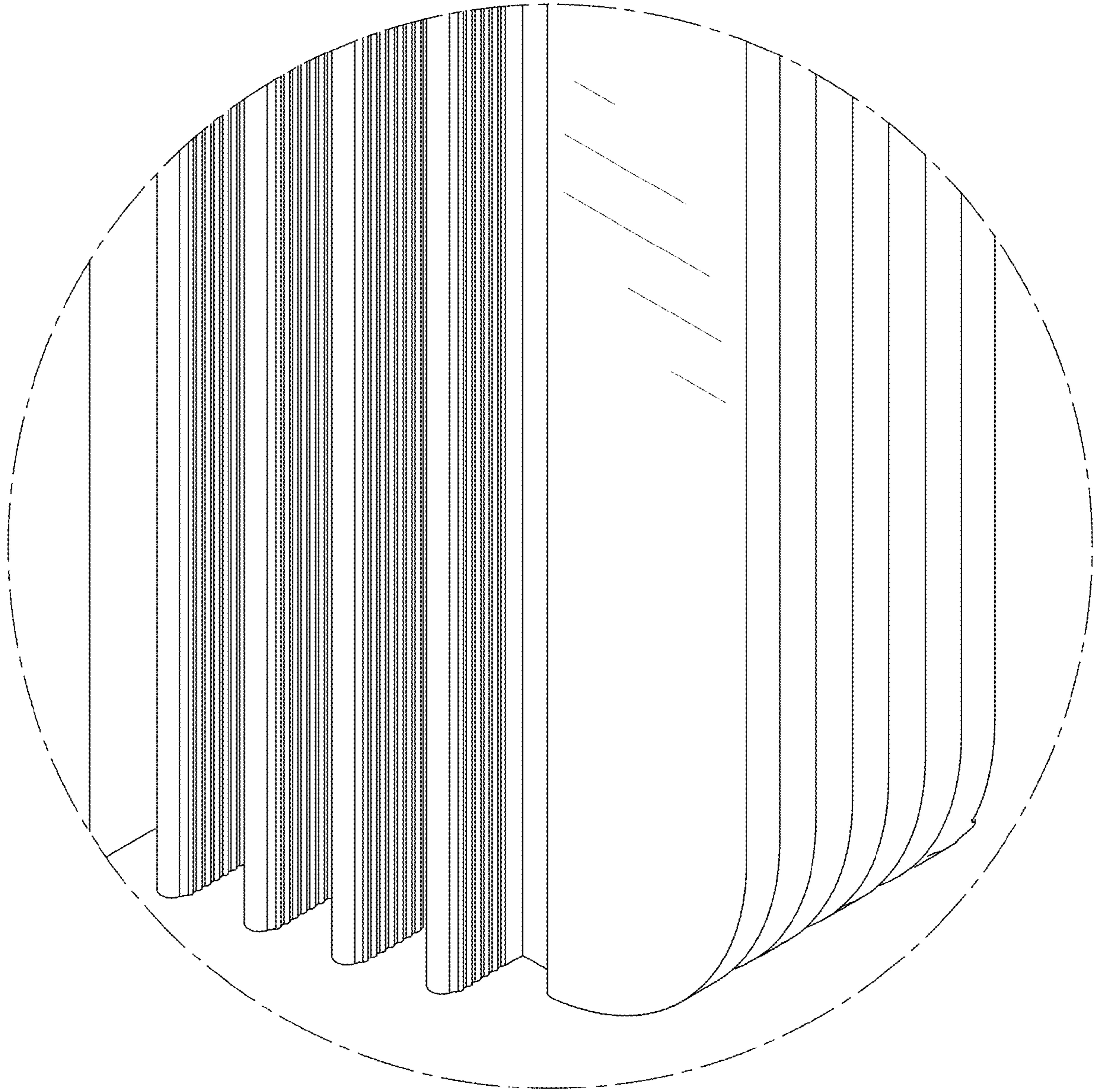


FIG. 10

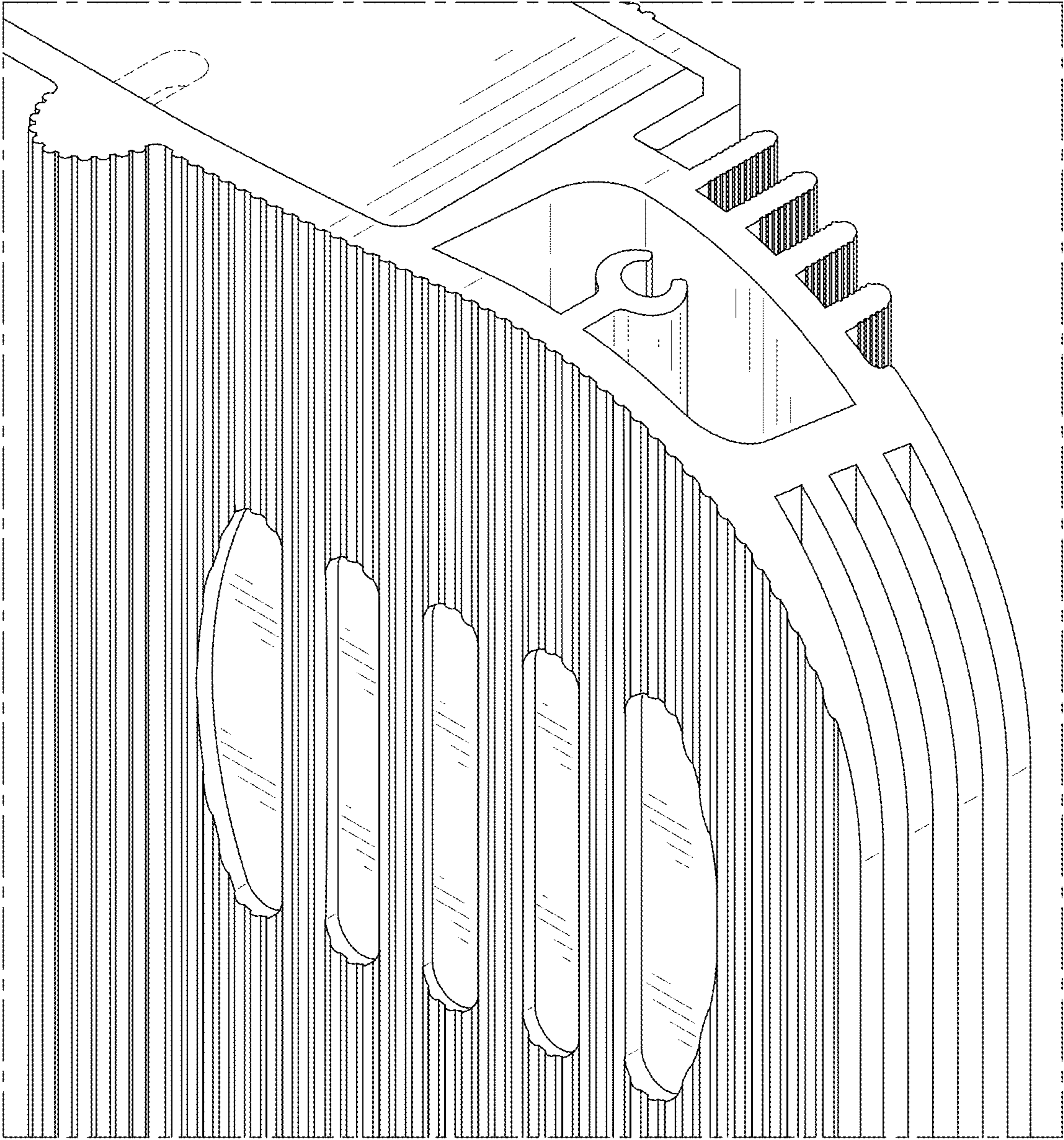


FIG. 11

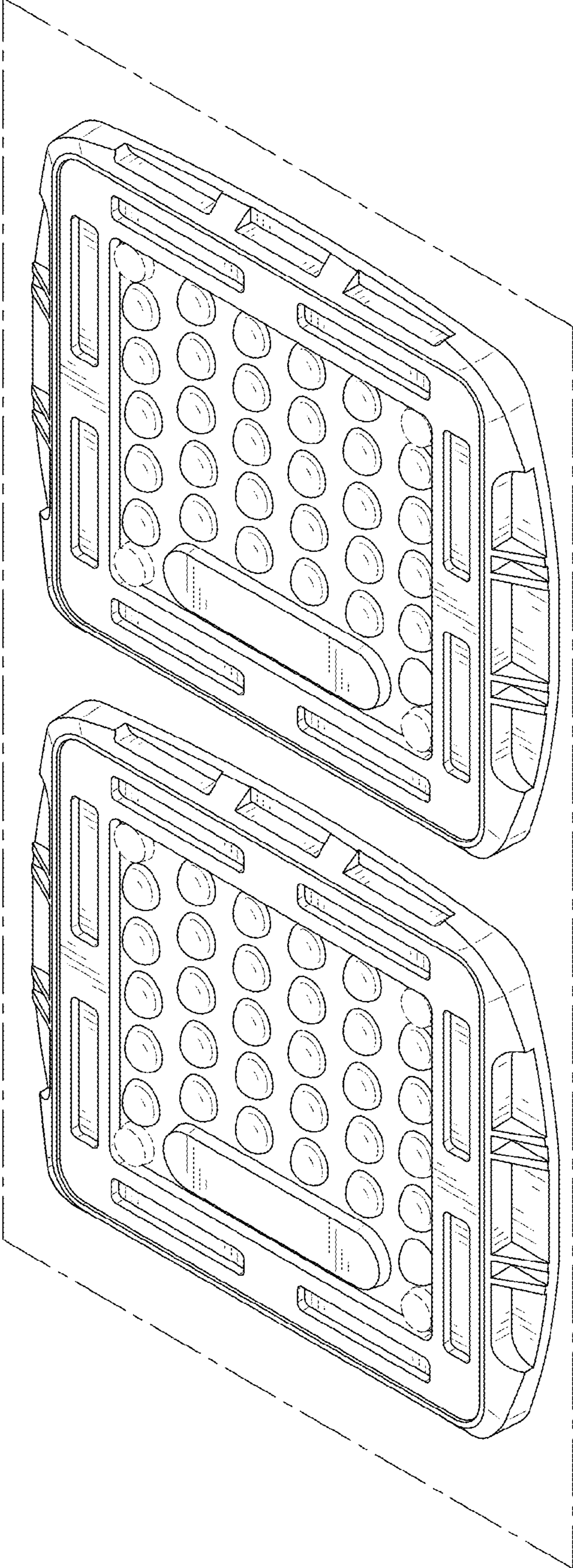


FIG. 12

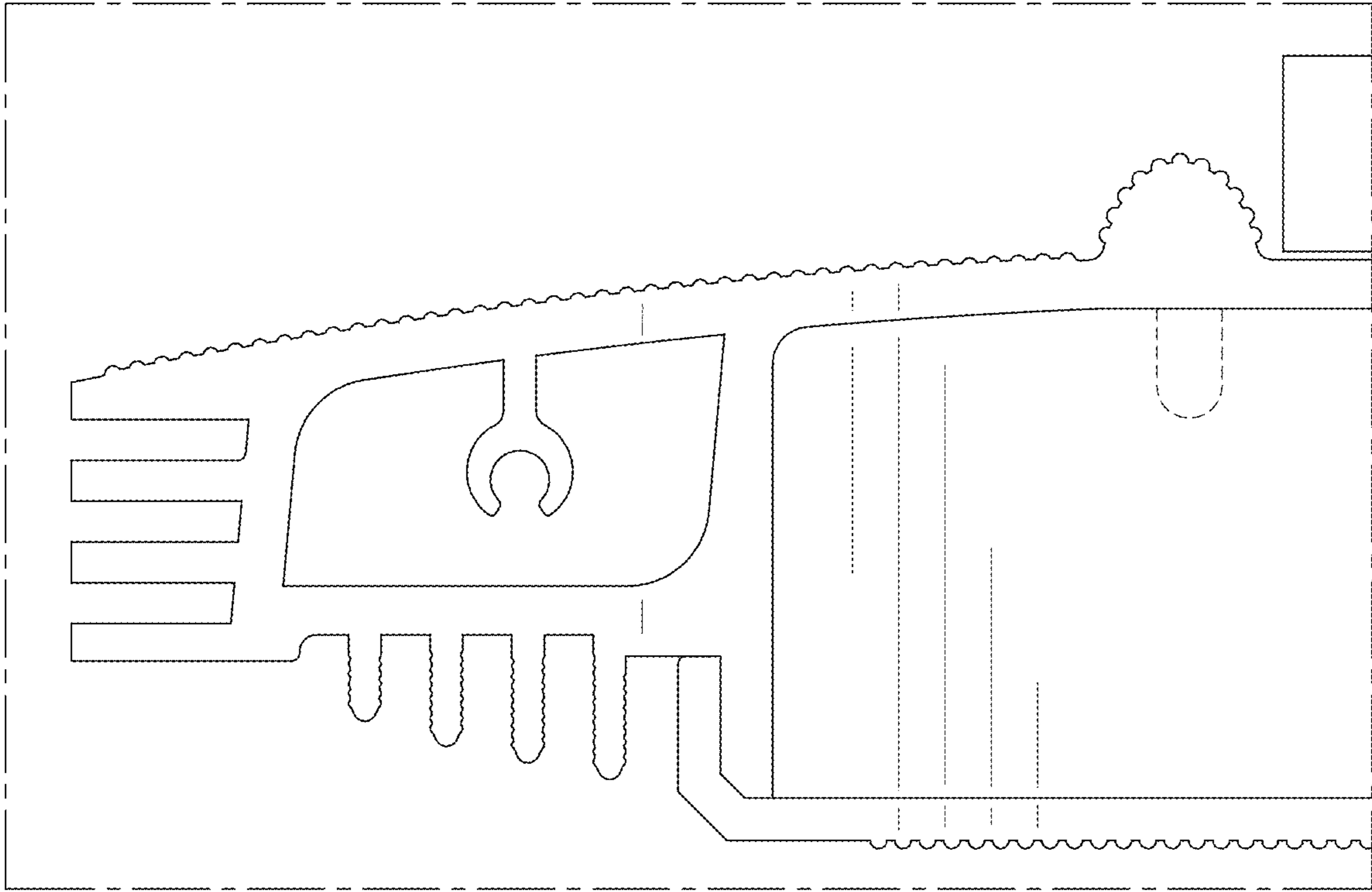


FIG. 13