

US00D898260S

(12) **United States Design Patent**  
**Worman**

(10) **Patent No.:** **US D898,260 S**  
(45) **Date of Patent:** **\*\* Oct. 6, 2020**

(54) **MOUNTABLE LIGHT**  
(71) Applicant: **STREAMLIGHT, INC.**, Eagleville, PA (US)

5,400,540 A 3/1995 Solsinsky et al.  
5,430,967 A 7/1995 Woodman, III et al.  
5,581,898 A 12/1996 Thummel  
5,584,137 A 12/1996 Teetzel  
(Continued)

(72) Inventor: **William D. Worman**, Phoenixville, PA (US)

**FOREIGN PATENT DOCUMENTS**

(73) Assignee: **Streamlight, Inc.**, Eagleville, PA (US)

EP 3045857 7/2016

(\*\*) Term: **15 Years**

**OTHER PUBLICATIONS**

(21) Appl. No.: **29/692,354**

Streamlight, Inc., "Product Catalog," Jun. 2001, Front Cover, pp. 1, 8-11, 28-29, 32-33, Rear Cover.

(22) Filed: **May 24, 2019**

(Continued)

(51) **LOC (12) Cl.** ..... **26-05**

*Primary Examiner* — Wan Laymon

(52) **U.S. Cl.**

*Assistant Examiner* — Clint A Samuel

USPC ..... **D26/60**; D22/108; D26/24

(58) **Field of Classification Search**

(74) *Attorney, Agent, or Firm* — Clement A. Berard, Esq.; Dann, Dorfman, Herrell & Skillman, PC

USPC ..... D26/24, 38, 51, 60; D22/108, 109, 110, D22/199; 42/111, 113, 114, 115; 362/110

CPC .... F41G 11/002; F41G 11/003; F41G 11/004; F41G 1/00; F41G 1/35; F41G 1/36; F41G 1/345; F21L 4/00

(57) **CLAIM**

The ornamental design for a mountable light, substantially as shown and described.

See application file for complete search history.

**DESCRIPTION**

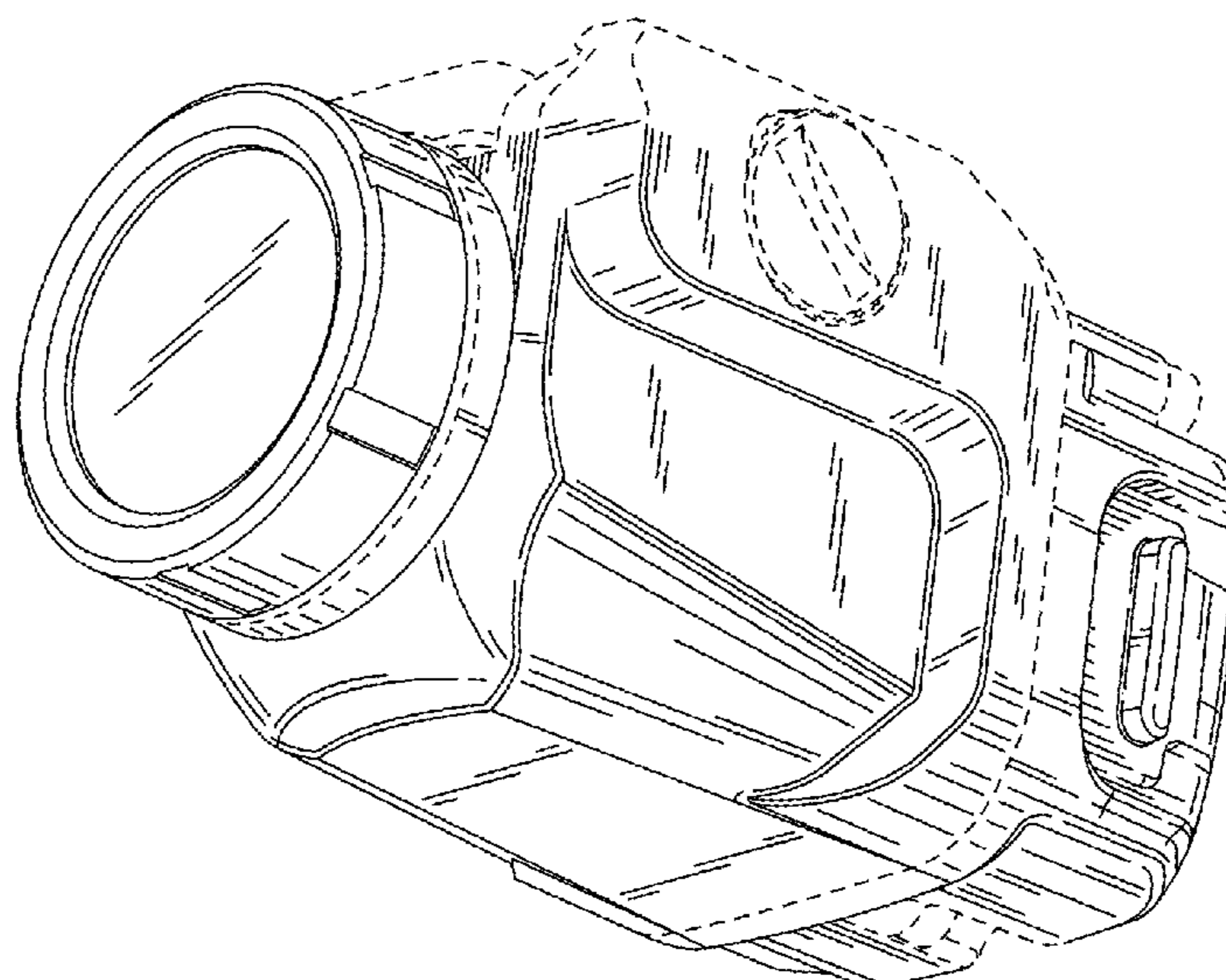
(56) **References Cited**

**U.S. PATENT DOCUMENTS**

- 2,546,242 A 3/1951 Stinson
- 2,597,565 A 5/1952 Chandler et al.
- 2,601,613 A 6/1952 Jahncke
- 3,153,856 A 10/1964 Felix
- 3,488,488 A 1/1970 Crouch
- 3,513,581 A 5/1970 Slater
- 3,877,166 A 4/1975 Ward
- 4,177,754 A 12/1979 James et al.
- 4,580,362 A 4/1986 Stevens
- 4,697,226 A 9/1987 Verdin
- 4,856,218 A 8/1989 Reynolds, Jr.
- 4,939,863 A 7/1990 Alexander et al.
- 5,042,186 A 8/1991 Bechtel
- 5,180,220 A 1/1993 Van Kalsbeek

FIG. 1 is a perspective view of an ornamental design for a mountable light;  
FIG. 2 is a second perspective view thereof;  
FIG. 3 is a side view of a first side thereof;  
FIG. 4 is a side view of a second side thereof;  
FIG. 5 is a side view of a third side thereof;  
FIG. 6 is a side view of a fourth side thereof;  
FIG. 7 is an end view of a first end thereof; and,  
FIG. 8 is an end view of a second end thereof.  
Broken lines in the drawing indicate unclaimed parts of the article that are not claimed herein, and that form no part of the claimed design; and shaded areas immediately adjacent to a broken line represent claimed surfaces of the design.

**1 Claim, 4 Drawing Sheets**





(56)

References Cited

U.S. PATENT DOCUMENTS

5,628,555 A 5/1997 Sharrah et al.  
 5,685,105 A 11/1997 Teetzel  
 5,758,448 A 6/1998 Thummel  
 5,787,628 A 8/1998 Teetzel  
 5,816,683 A 10/1998 Christiansen  
 5,913,669 A 6/1999 Hansen et al.  
 6,073,901 A 6/2000 Richter  
 6,115,952 A 9/2000 Rigler  
 6,154,995 A 12/2000 Lenoir  
 6,185,854 B1 2/2001 Solinsky et al.  
 6,230,431 B1 5/2001 Bear  
 6,276,088 B1 8/2001 Matthews  
 6,378,237 B1 4/2002 Matthews  
 6,574,901 B1 6/2003 Solinsky et al.  
 6,612,714 B1 9/2003 Morre et al.  
 7,117,624 B2 10/2006 Kim  
 7,188,978 B2 3/2007 Sharrah et al.  
 D542,446 S \* 5/2007 DiCarlo ..... D26/38  
 D543,446 S 5/2007 DiNenna  
 D548,385 S 8/2007 Sharrah et al.  
 7,260,912 B2 8/2007 Liu  
 D567,894 S 4/2008 Sterling  
 D568,508 S \* 5/2008 Howe ..... D26/38  
 D578,599 S \* 10/2008 Cheng ..... D16/130  
 D612,970 S 3/2010 Sharrah et al.  
 7,726,061 B1 6/2010 Thummel  
 7,735,255 B1 6/2010 Kincaid  
 7,934,333 B1 5/2011 Tuz  
 8,169,165 B2 5/2012 West  
 8,256,154 B2 9/2012 Danielson  
 D673,709 S 1/2013 Sharrah  
 D674,525 S 1/2013 Sharrah et al.  
 D674,858 S 1/2013 Galli  
 8,510,979 B1 8/2013 Mortimer  
 8,683,731 B2 4/2014 Kowalczyk  
 8,683,733 B2 4/2014 Gross  
 8,713,844 B2 5/2014 Tuller, Jr.  
 8,760,085 B2 6/2014 West  
 D709,981 S 7/2014 Johnston  
 D712,001 S \* 8/2014 Wells ..... D22/108  
 8,904,698 B2 12/2014 Riley  
 8,915,009 B2 12/2014 Caulk  
 9,035,576 B2 5/2015 West  
 D732,134 S \* 6/2015 Wells ..... D22/108  
 D738,455 S 9/2015 Homem de Mello Anderson  
 D738,457 S 9/2015 Johnston  
 9,182,194 B2 11/2015 Moore  
 D757,311 S 5/2016 Nagano  
 9,341,440 B2 5/2016 Moore  
 9,488,439 B2 11/2016 Galli  
 D781,983 S 3/2017 Wells  
 9,658,031 B1 5/2017 Hedeem  
 D790,097 S 6/2017 Port  
 D796,622 S 9/2017 Sharrah  
 9,772,163 B2 9/2017 Sharrah et al.  
 D807,981 S \* 1/2018 Cheng ..... D22/108  
 D812,178 S 3/2018 Galli  
 D857,268 S \* 8/2019 Worman ..... D26/60  
 D857,960 S \* 8/2019 Worman ..... D26/60  
 D872,334 S \* 1/2020 Fan ..... D26/60  
 D885,510 S \* 5/2020 Wells ..... D22/108  
 2002/0100204 A1 8/2002 Kim  
 2002/0148153 A1 10/2002 Thorpe  
 2003/0007355 A1 1/2003 Leen  
 2004/0068913 A1 4/2004 Solinsky et al.  
 2004/0169119 A1 9/2004 Crowell et al.  
 2005/0246937 A1 11/2005 Kim  
 2006/0083008 A1 4/2006 Yu  
 2006/0083009 A1 4/2006 Hsu  
 2008/0120891 A1 5/2008 Wei  
 2009/0013580 A1 1/2009 Houde-Walter et al.  
 2010/0097789 A1 4/2010 Sharrah  
 2010/0176741 A1 7/2010 Sharrah et al.  
 2012/0124885 A1 5/2012 Caulk  
 2012/0144718 A1 6/2012 Danielson

2013/0074351 A1 3/2013 Kowalczyk  
 2013/0145672 A1 6/2013 Tuller  
 2015/0102743 A1 4/2015 West  
 2015/0113851 A1 4/2015 Bensayan  
 2015/0159847 A1 6/2015 Galli  
 2015/0192391 A1 7/2015 Moore  
 2015/0233668 A1 8/2015 Moore  
 2015/0276347 A1 10/2015 Sharrah  
 2015/0276352 A1 10/2015 Chang et al.  
 2016/0021329 A1 1/2016 Sakiewicz  
 2016/0209167 A1 7/2016 Wells  
 2016/0209168 A1 7/2016 Sharrah et al.  
 2016/0305742 A1 10/2016 Kowalczyk  
 2019/0154243 A1 \* 5/2019 Worman ..... F41G 1/34  
 2020/0173640 A1 \* 6/2020 Worman ..... F21V 19/004

OTHER PUBLICATIONS

Streamlight, Inc., "M2 Universal Tactical Light," Product Package, Prior to Oct. 24, 2006, 1 Pg.  
 Streamlight, Inc., "M2 Universal Tactical Light," Operator's Manual, Oct. 2003, 2 Pages.  
 Streamlight, Inc., "M-3 LED Tactical Navigation Light," Dated: 2002, Eagleville, PA, 2 Pages.  
 Streamlight, Inc., "M-6 Tactical Laser Illuminator," Dated 2003, Eagleville, PA, 2 Pages.  
 Streamlight, Inc., "Introducing The All-New MIL-SPEC X-Series—Trusted Tactical Lights Taken to the X-treme," Dated: Oct. 2003, Eagleville, PA, 2 Pages.  
 Streamlight, Inc., "L.A.M. Laser Aiming Module," Dated 2000, Eagleville, PA, 2 Pages.  
 Streamlight, Inc., "Tactical Series Specifications," [http://www.streamlight.com/tactical\\_specifications.htm](http://www.streamlight.com/tactical_specifications.htm), Printed Oct. 28, 2004, 3 Pages.  
 Streamlight, Inc., "Tactical Series Parts & Accessories," Specifications, [http://www.streamlight.com/tactical\\_accessories.htm](http://www.streamlight.com/tactical_accessories.htm), Printed Oct. 28, 2004, 2 Pages.  
 Streamlight, Inc., Streamlight M-3 LED, Streamlight Products, [http://www.streamlight.com/m3led\\_specs.htm](http://www.streamlight.com/m3led_specs.htm), Printed Oct. 28, 2004, 1 Page.  
 Streamlight, Inc., Streamlight M-6, M-6 Tactical Laser Illuminator Specifications, [http://www.streamlight.com/m6\\_specifications.htm](http://www.streamlight.com/m6_specifications.htm), Printed Oct. 28, 2004, 1 Page.  
 Streamlight, Inc., "Streamlight Laser Aiming Module (L.A.M.)," Streamlight Products, [http://www.streamlight.com/lam\\_specs.htm](http://www.streamlight.com/lam_specs.htm), Printed Oct. 28, 2004, 2 Pages.  
 Streamlight, Inc., "X-Series Specifications", [http://www.streamlight.com/x-series\\_specs.htm](http://www.streamlight.com/x-series_specs.htm), Printed Oct. 28, 2004, 2 Pages.  
 Streamlight, Inc., "Tactical Gun Mount Series—TLR-1", <http://www.streamlight.com/product/product.aspx?pid=80>, Printed Sep. 18, 2006, 1 Page.  
 Streamlight, Inc., "Tactical Gun Mount Series—TLR-2 With Laser Sight", <http://www.streamlight.com/product/product.aspx?pid=81>, Printed Sep. 18, 2006, 1 Page.  
 Streamlight, Inc., "Tactical Gun Mount Series—TLR-1", <http://www.streamlight.com/product/product.aspx?pid=80>, Printed Mar. 9, 2009, 2 pages.  
 First Samco, "Tactical Light Holder," First Samco Tactical Accessories for AR15 & M/16, <http://www.firstsamco.com/catalog/productdetail.php?ID=4>, Printed Nov. 4, 2004, 1 Page.  
 First Samco, "Images for Tactical Light Holder," First Samco Tactical Accessories for AR15 & M/16, <http://www.firstsamco.com/catalog/moreimages.php?ID=4>, Printed Nov. 4, 2004, 1 Pg.  
 Insight Technology, Inc., M2 UTL Universal Tactical Light (with Photos), © 2004, <http://www.insightlights.com/products/showProduct.asp?id=1>, Printed Nov. 8, 2005, 4 Pgs.  
 Insight Technology, Inc., "M3X Tactical Illuminator," © 2004, <http://www.insightlights.com/products/showProduct.asp?id=6>, Printed Oct. 28, 2004, 2 Pages.  
 Insight Technology, Inc., "M6 Tactical Illuminator (with Photos)," © 2004, <http://www.insightlights.com/products/showProduct.asp?id=9>, Printed Oct. 28, 2004, 5 Pages.



(56)

## References Cited

## OTHER PUBLICATIONS

Insight Technology, Inc., “M6X Tactical Illuminator (with Photos),” © 2004 <http://www.insightlights.com/products/showProduct.asp?id=11>, Printed Oct. 28, 2004, 6 Pgs.

Insight Technology, Inc., “XML X-treme Mini Light”, © 2004, <http://www.insightlights.com/products/showProduct.asp?id=2>, Printed Oct. 28, 2004, 1 Page.

Insight Technology, Inc., “Tactical Lights by Insight Technology Inc. (UTL, M3, LAM)—Products by Product Index”, © 2001, <http://www.insightlights.com/oldsite/prodbyproducts.htm>, Printed Sep. 18, 2006, 1 Page.

Insight Technology, Inc., “Tactical Lights by Insight Technology Inc. (UTL, M3, LAM)—The M3 Tactical Light”, © 2001, [http://www.insightlights.com/oldsite/prod\\_m3.htm](http://www.insightlights.com/oldsite/prod_m3.htm), Printed Sep. 18, 2006, 1 Page.

Insight Technology, Inc., “Tactical Lights by Insight Technology Inc. (UTL, M3, LAM)—M3 Photo Gallery”, © 2001, [http://www.insightlights.com/oldsite/gallery\\_m3.htm](http://www.insightlights.com/oldsite/gallery_m3.htm), Printed Sep. 18, 2006, 1 Page.

Insight Technology, Inc., “Tactical Lights by Insight Technology Inc. (UTL, M3, LAM)—The M3-LED Tactical Illuminator”, © 2001, [http://www.insightlights.com/oldsite/prod\\_m3led.htm](http://www.insightlights.com/oldsite/prod_m3led.htm), Printed Sep. 18, 2006, 2 Pages.

Insight Technology, Inc., “Tactical Lights by Insight Technology Inc. (UTL, M3, LAM)—M3-LED Photo Gallery”, © 2001, [http://www.insightlights.com/oldsite/gallery\\_m3led.htm](http://www.insightlights.com/oldsite/gallery_m3led.htm), Printed Sep. 18, 2006, 1 Page.

Insight Technology, Inc., “Tactical Lights by Insight Technology Inc. (UTL, M3, LAM)—The M4 and M4-Pro Tactical Light”, © 2001, [http://www.insightlights.com/oldsite/prod\\_m4.htm](http://www.insightlights.com/oldsite/prod_m4.htm), Printed Sep. 18, 2006, 1 Page.

Insight Technology, Inc., “Tactical Lights by Insight Technology Inc. (UTL, M3, LAM)—M4 & M4-Pro Photo Gallery”, © 2001, [http://www.insightlights.com/oldsite/gallery\\_m4.htm](http://www.insightlights.com/oldsite/gallery_m4.htm), Printed Sep. 18, 2006, 1 Page.

Insight Technology, Inc., “Tactical Lights by Insight Technology Inc. (UTL, M3, LAM)—The M5 Tactical Light”, © 2001, [http://www.insightlights.com/oldsite/prod\\_m5.htm](http://www.insightlights.com/oldsite/prod_m5.htm), Printed Sep. 18, 2006, 1 Page.

Insight Technology, Inc., “Tactical Lights by Insight Technology Inc. (UTL, M3, LAM)—M5 Photo Gallery”, © 2001, [http://www.insightlights.com/oldsite/gallery\\_m5.htm](http://www.insightlights.com/oldsite/gallery_m5.htm), Printed Sep. 18, 2006, 1 Page.

Insight Technology, Inc., “Tactical Lights by Insight Technology Inc. (UTL, M3, LAM)—The M6 Tactical Laser Illuminator”, © 2001, [http://www.insightlights.com/oldsite/prod\\_m6.htm](http://www.insightlights.com/oldsite/prod_m6.htm), Printed Sep. 18, 2006, 2 Pages.

Insight Technology, Inc., “Tactical Lights by Insight Technology Inc. (UTL, M3, LAM)—M6 Photo Gallery”, © 2001, [http://www.insightlights.com/oldsite/gallery\\_m6.htm](http://www.insightlights.com/oldsite/gallery_m6.htm), Printed Sep. 18, 2006, 1 Page.

Insight Technology, Inc., “Tactical Lights by Insight Technology Inc. (UTL, M3, LAM)—Laser Aiming Module (LAM)”, © 2001, [http://www.insightlights.com/oldsite/prod\\_lam.htm](http://www.insightlights.com/oldsite/prod_lam.htm), Printed Sep. 18, 2006, 2 Pages.

Insight Technology, Inc., “Tactical Lights by Insight Technology Inc. (UTL, M3, LAM) LAM Photo Gallery”, © 2001, [http://www.insightlights.com/oldsite/gallery\\_lam.htm](http://www.insightlights.com/oldsite/gallery_lam.htm), Printed Sep. 18, 2006, 1 Page.

Insight Technology, Inc., “Tactical Lights by Insight Technology Inc. (UTL, M3, LAM)—Parts & Accessories Photo Gallery”, © 2001, [http://www.insightlights.com/oldsite/gallery\\_access.htm](http://www.insightlights.com/oldsite/gallery_access.htm), Printed Sep. 18, 2006, 2 Pages.

Insight Technology, Inc., “X-treme Functionality . . . XTI Procyon”, © 2008, <http://www.insightlights.com/products-procyon.htm>, Printed Mar. 12, 2009, 1 page.

Insight Technology, Inc., “X-treme Design . . . X2”, © 2008, <http://www.insightlights.com/products-x2.htm>, Printed Mar. 12, 2009, 1 page.

Insight Technology, Inc., “X2 Sub-Compact Operator Manual”, Rev. Apr. 2005, 6 pages.

Surefire, “Laser Sights,” Weapon mounted laser sights from SureFire, © 2001-2004, [http://www.surefire.com/maxexp/main/co\\_disp/displ/pgfrnbr/364/sesent/00](http://www.surefire.com/maxexp/main/co_disp/displ/pgfrnbr/364/sesent/00), Printed Oct. 28, 2004, 1 Page.

Surefire, “Weapon Lights,” Lights for weapons including handguns, shotguns, and rifles, © 2001-2004, [http://www.surefire.com/maxexp/main/co\\_disp/displ/pggrnbr/211/sesent/00](http://www.surefire.com/maxexp/main/co_disp/displ/pggrnbr/211/sesent/00), Printed Oct. 28, 2004, 1 Page.

Surefire, “Handgun Weapon Lights,” Handgun Tactical WeaponLights provided by SureFire, © 2001-2004, [http://www.surefire.com/maxexp/main/co\\_disp/displ/carfnbr/91/sesent/00](http://www.surefire.com/maxexp/main/co_disp/displ/carfnbr/91/sesent/00), Printed Oct. 28, 2004, 2 Pages.

Surefire, “Products,” X200 WeaponLight—X200 available from SureFire, © 2001-2004, [http://www.surefire.com/maxexp/main.pl?pgm-co\\_disp&func-displ&strfnbr=6&prfnbr=1110& . . .](http://www.surefire.com/maxexp/main.pl?pgm-co_disp&func-displ&strfnbr=6&prfnbr=1110& . . .), Printed Oct. 28, 2004, 2 Pages.

Surefire, “SureFire Integrated Shotgun WeaponLights,” Shotgun WeaponLights provided by SureFire, © 2001-2004, [http://www.surefire.com/maxexp/main/co\\_disp/displ/carfnbr/92/sesent/00](http://www.surefire.com/maxexp/main/co_disp/displ/carfnbr/92/sesent/00), Printed Oct. 28, 2004, 1 Page.

Surefire, “Rifle, Carbine & SMG Light Systems,” Rifle, Carbine & SMG WeaponLights Systems provided by SureFire, © 2001-2004, [http://www.surefire.com/maxexp/main/co\\_disp/displ/carfnbr/93/sesent/00](http://www.surefire.com/maxexp/main/co_disp/displ/carfnbr/93/sesent/00), Printed Oct. 28, 2004, 1 Page.

Surefire, “Rifle, Carbine & SMG Light Systems,” Millennium Forends provided by SureFire, © 2001-2004, [http://www.surefire.com/maxexp/main/co\\_disp/displ/carfnbr/265/sesent/00](http://www.surefire.com/maxexp/main/co_disp/displ/carfnbr/265/sesent/00), Printed Oct. 28, 2004, 1 Page.

Surefire, “Rifle, Carbine & SMG Light Systems,” Millennium Universal WeaponLights provided by SureFire, © 2001-2004, [http://www.surefire.com/maxexp/main/co\\_disp/displ/carfnbr/267/sesent/00](http://www.surefire.com/maxexp/main/co_disp/displ/carfnbr/267/sesent/00), Printed Oct. 28, 2004, 1 Page.

Surefire, “Rifle, Carbine & SMG Light Systems,” Millennium Vertical Foregrip System provided by SureFire, © 2001-2004, [http://www.surefire.com/maxexp/main/co\\_disp/displ/carfnbr/266/sesent/00](http://www.surefire.com/maxexp/main/co_disp/displ/carfnbr/266/sesent/00), Printed Oct. 28, 2004, 1 Page.

Surefire, “Rifle, Carbine & SMG Light Systems,” Classic Series WeaponLights provided by SureFire, © 2001-2004, [http://www.surefire.com/maxexp/main/co\\_disp/displ/carfnbr/271/sesent/00](http://www.surefire.com/maxexp/main/co_disp/displ/carfnbr/271/sesent/00), Printed Oct. 28, 2004, 1 Page.

Surefire, “Weapon Mounts,” SureFire Weapon Mounts, © 2001-2004, [http://www.surefire.com/maxexp/main/co\\_disp/displ/pggrnbr/378/sesent/00](http://www.surefire.com/maxexp/main/co_disp/displ/pggrnbr/378/sesent/00), Printed Oct. 28, 2004, 1 Page.

Surefire, “Products Weapon Mounts,” Picatinny forends provided by SureFire, © 2001-2004, [http://www.surefire.com/maxexp/main/co\\_disp/displ/carfnbr/312/sesent/00](http://www.surefire.com/maxexp/main/co_disp/displ/carfnbr/312/sesent/00), Printed Oct. 28, 2004, 1 Page.

Surefire, “Products Weapon Mounts,” S.I.R. System C (Selective Integrated Rail)—M61 available from SureFire, © 2001-2004, [http://www.surefire.com/maxexp/main/co\\_disp/displ/prfnbr/824/sesent/00](http://www.surefire.com/maxexp/main/co_disp/displ/prfnbr/824/sesent/00), Printed Oct. 28, 2004, 1 Page.

Falcon Tactical, “Sig Sauer Stoplite Vertical Grip with Weaponlight”, <http://www.falcontactical.net/sigsastvegrw.html>, © 2006-2009, 2 pages.

Laserlyte, “Sight TGL DB .380/9MM Tan”, printed Jan. 13, 2015, 4 pages, <http://www.laserlyte.com/products/sight-tgl-diamondback-380-9mm-tan>.

Laserlyte, “Glock Lasers”, printed Jan. 13, 2015, 1 page, <http://www.laserlyte.com/collections/glock>.

Laserlyte, “Springfield XD/XDM/XDS Lasers”, printed Jan. 13, 2015, 1 page, <http://www.laserlyte.com/collections/xd-xdm-xds>.

Laserlyte, “SCCY Laser Sight”, printed Jan. 13, 2015, 1 page, <http://www.laserlyte.com/collections/sccy-laser-sight>.

Laserlyte, “Hi-Point Laser”, printed Jan. 13, 2015, 1 page, <http://www.laserlyte.com/collections/hi-point-laser>.

Laserlyte, “Closeouts”, printed Jan. 13, 2015, 1 page, <http://www.laserlyte.com/collections/discontinued-closeouts>.

Laserlyte, “UTA-DB Diamondback Laser”, Rev Aug. 2013, 2 pages.

Diodes Incorporated, “PAM2804 1A Step Down Constant Current, High Efficiency LED Driver”, Jan. 2013, 10 pages.

Microchip Technology, Inc., “PIC12F7525/HV752 Data Sheet, 8-Pin, Flash-Based 8-Bit CMOS Microcontrollers”, © 2011, 210 pages.



(56)

**References Cited**

## OTHER PUBLICATIONS

Crimson Trace Corporation, "Crimson Trace CMR-202 Rail Master", Instruction Handbook, 27-1455 REV001 Apr. 2012, 2 pages.

European Patent Office, "European Search Report, EP Application No. 16150798", dated May 19, 2016, 8 pages.

Streamlight, Inc., "TLR-6 Subcompact Gun-Mounted Tactical Light With Integrated Red Aiming Laser", © 2016, 5 pages, www.streamlight.com.

Crimson Trace Corporation, "LTG-736 Lightguard for Glock Full-Size and Compact", © 2016, 3 pages, <http://www.crimsontrace.com/>.

Crimson Trace Corporation, "LG-452 Laserguard Green Laser Sight for Glock Full-Size and Compact", © 2016, 7 pages, <http://www.crimsontrace.com/>.

Crimson Trace Corporation, "DS-121 Defender Series Accuguard Laser Sight for Glock Full-Size and Compact", © 2016, 10 pages, <http://www.crimsontrace.com/products/manufacture/glock/01-5100>.

Streamlight, Inc., "Modular Light Mountable on a Handgun", U.S. Appl. No. 15/283,788, filed Oct. 3, 2016, 61 pages.

Streamlight, Inc., "Mountable Light", Design U.S. Appl. No. 29/623,320, filed Oct. 24, 2017, 18 pages.

Streamlight, Inc., "Portable and/or Mountable Light", U.S. Appl. No. 15/817,986, filed Nov. 20, 2017, 84 pages.

Streamlight, Inc., "TLR-1 HL Super Bright, 800 Lumen LED Tactical Weapon Light", Product Specifications, 2 pages, date prior to Oct. 24, 2017 filing date, www.streamlight.com.

Streamlight, Inc., "TLR-1 HL High Lumen, Rail-Mounted Tactical Light", Data Sheet, 1 page, dated Jan. 2016, www.streamlight.com.

Streamlight, Inc., "TLR-2 HL Super Bright, 800 Lumen LED Tactical Weapon Light with Red Aiming Laser", Product Specifications, 2 pages, date prior to Oct. 24, 2017 filing date, www.streamlight.com.

Streamlight, Inc., "TLR-2 HL/TLR-2 HL G High Lumen, Rail-Mounted Tactical Light with Aiming Laser", Data Sheet, 1 page, dated Jan. 2016, www.streamlight.com.

Streamlight, Inc., "TLR-3 Compact Tactical Weapon-Mounted Light", Product Specifications, 2 pages, date prior to Oct. 24, 2017 filing date, www.streamlight.com.

Streamlight, Inc., "TLR-4 Compact Tactical Light with Integrated Red Aiming Laser", Product Specifications, 2 pages, date prior to Oct. 24, 2017 filing date, www.streamlight.com.

Streamlight, Inc., "TLR-VIR Infrared Tactical Weapons Light", Product Specifications, 2 pages, date prior to Oct. 24, 2017 filing date, www.streamlight.com.

Streamlight, Inc., "TLR-VIR, Rail-Mounted Tactical Light with Visible White Light and IR Illuminator", Data Sheet, 1 page, dated Jun. 2016, www.streamlight.com.

Streamlight, Inc., "TLR-VIR Pistol Infrared Tactical Weapons Light", Product Specifications, 2 pages, date prior to Oct. 24, 2017 filing date, www.streamlight.com.

Streamlight, Inc., "TLR-6 Trigger Guard Mounted Weapon Light with Integrated Red Aiming Laser", Product Specifications, 2 pages, date prior to Oct. 24, 2017 filing date, www.streamlight.com.

Streamlight, Inc., "TLR-6 Subcompact Gun-Mounted Tactical Light with Integrated Red Aiming Laser", Data Sheet, 2 pages, dated Mar. 2017, www.streamlight.com.

\* cited by examiner

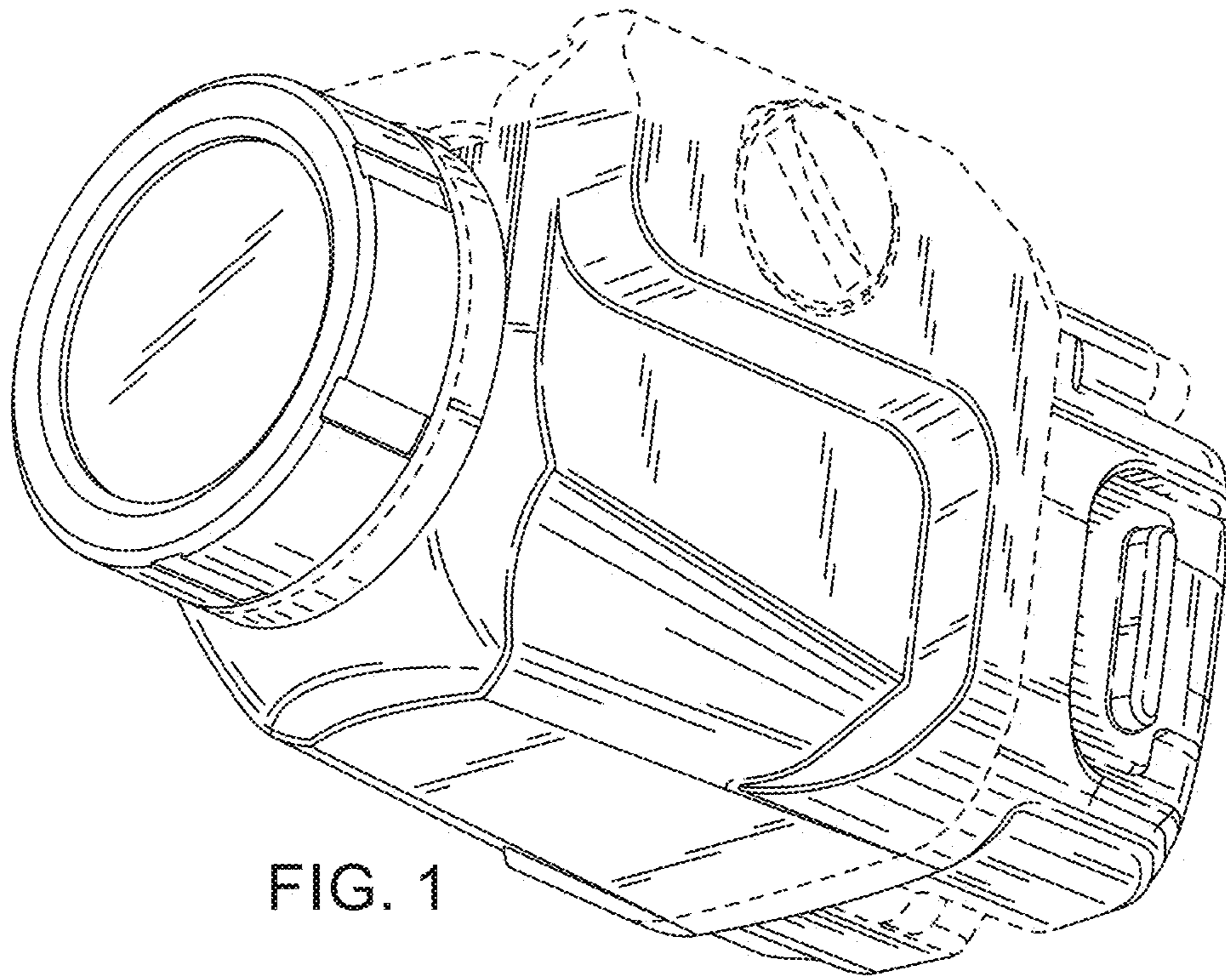


FIG. 1

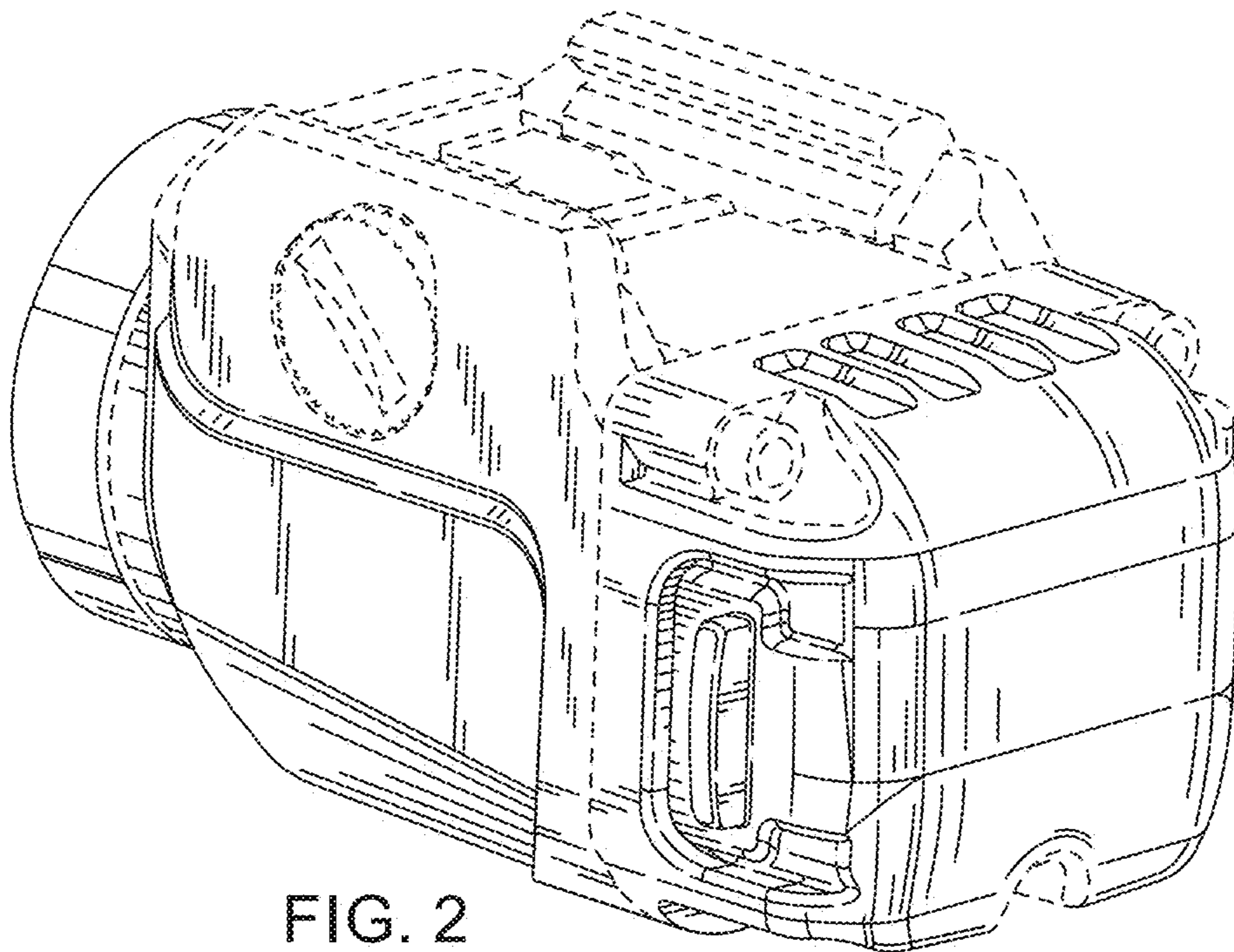


FIG. 2



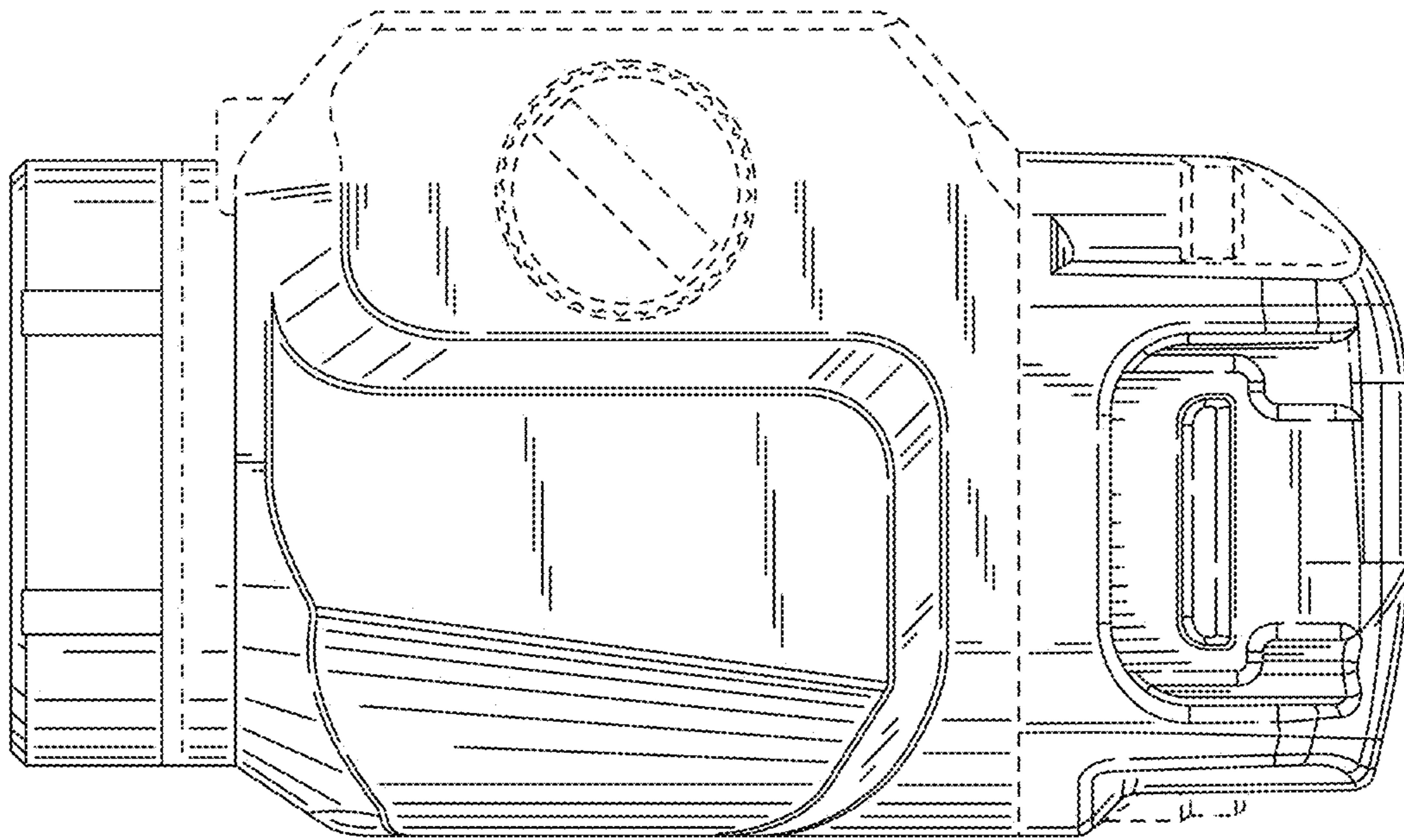


FIG. 3

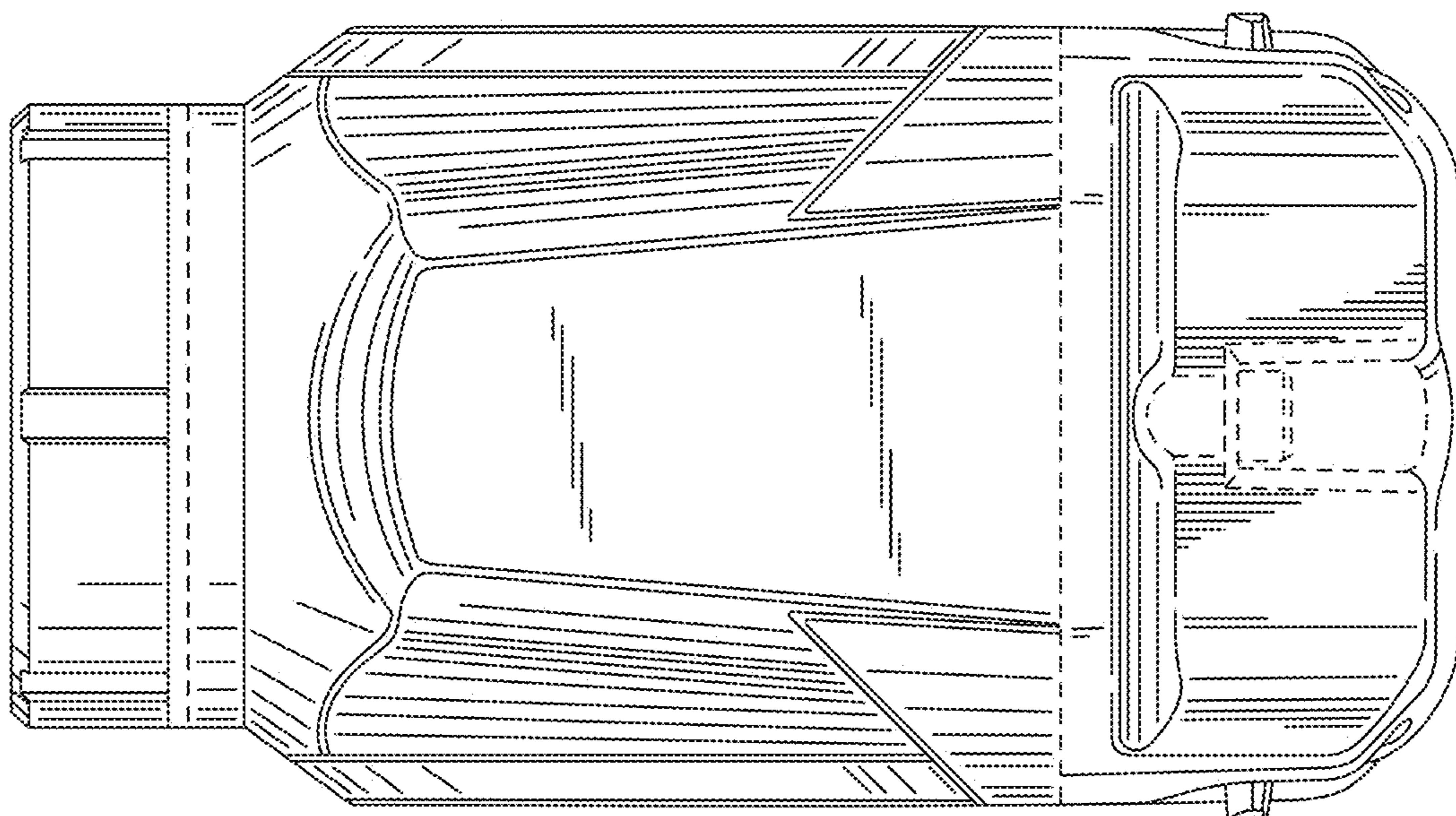


FIG. 4

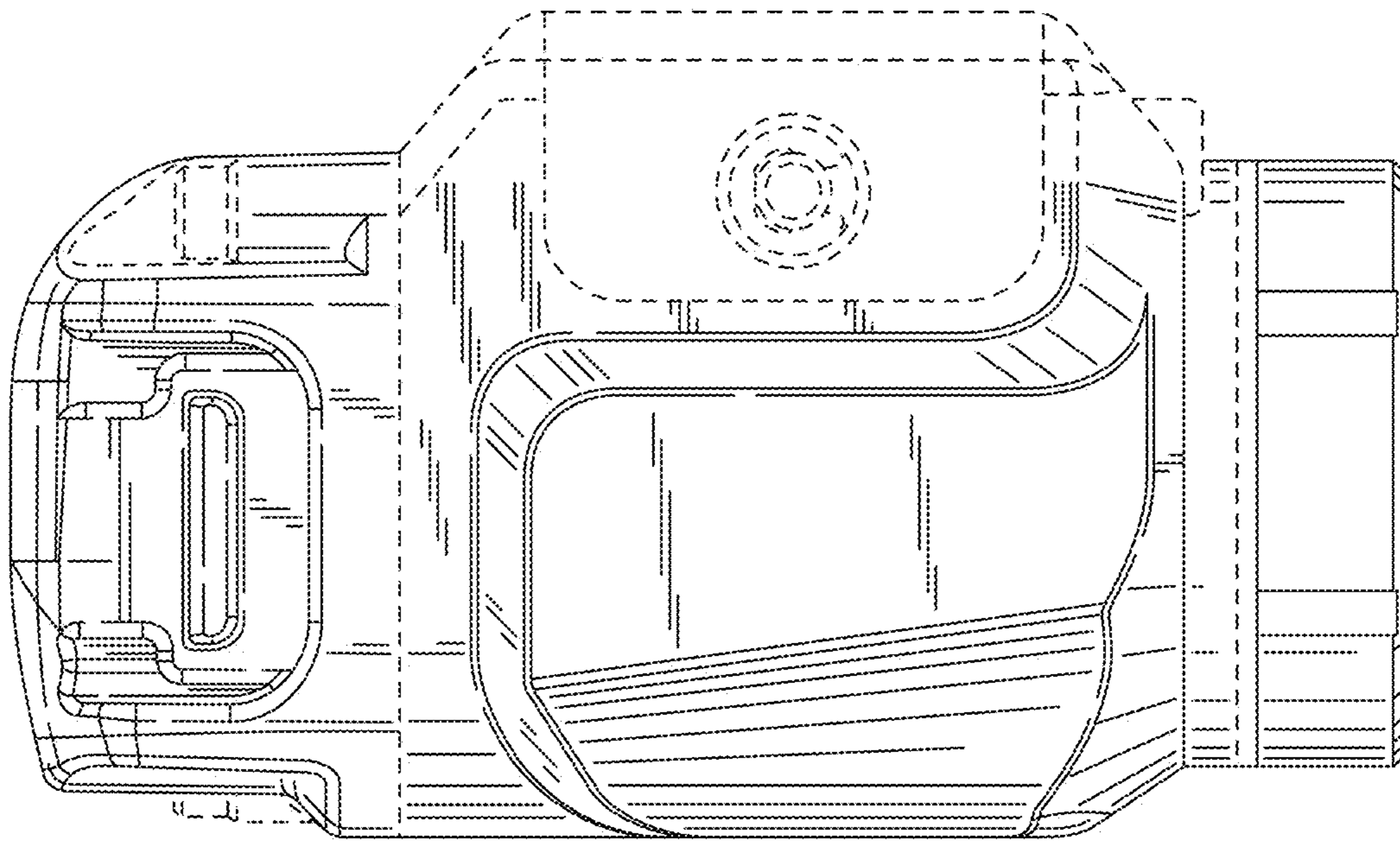


FIG. 5

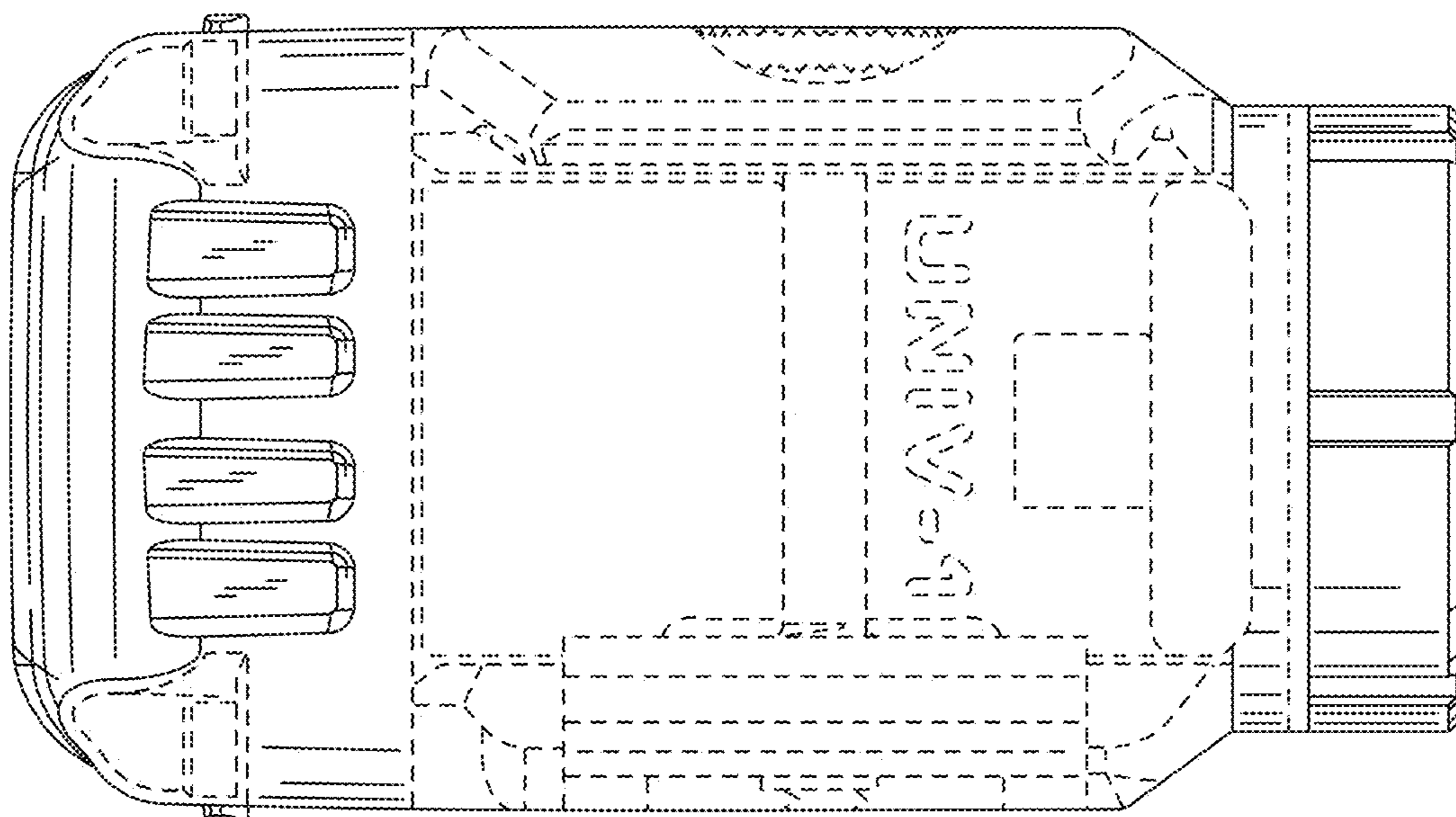


FIG. 6

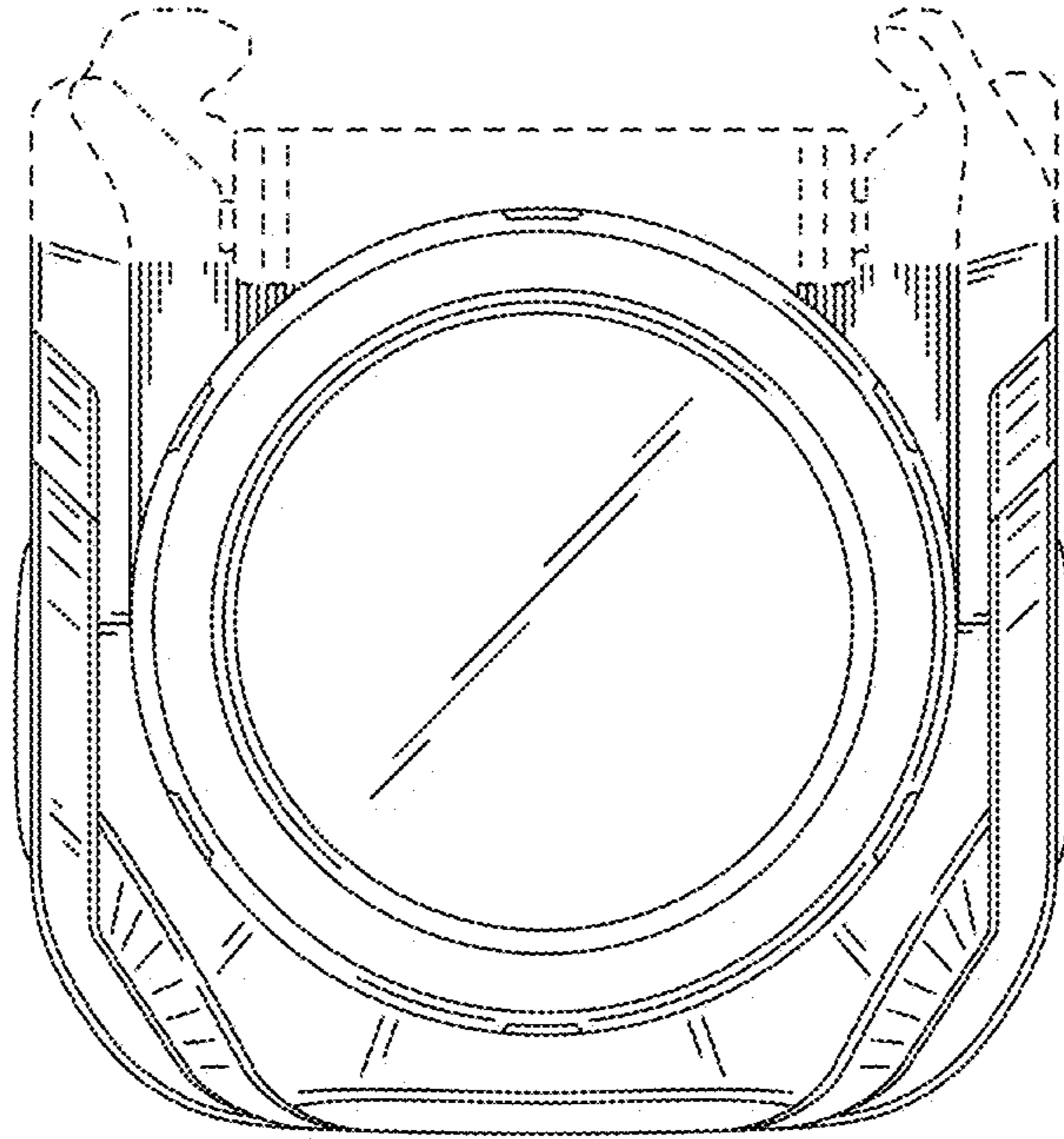


FIG. 7

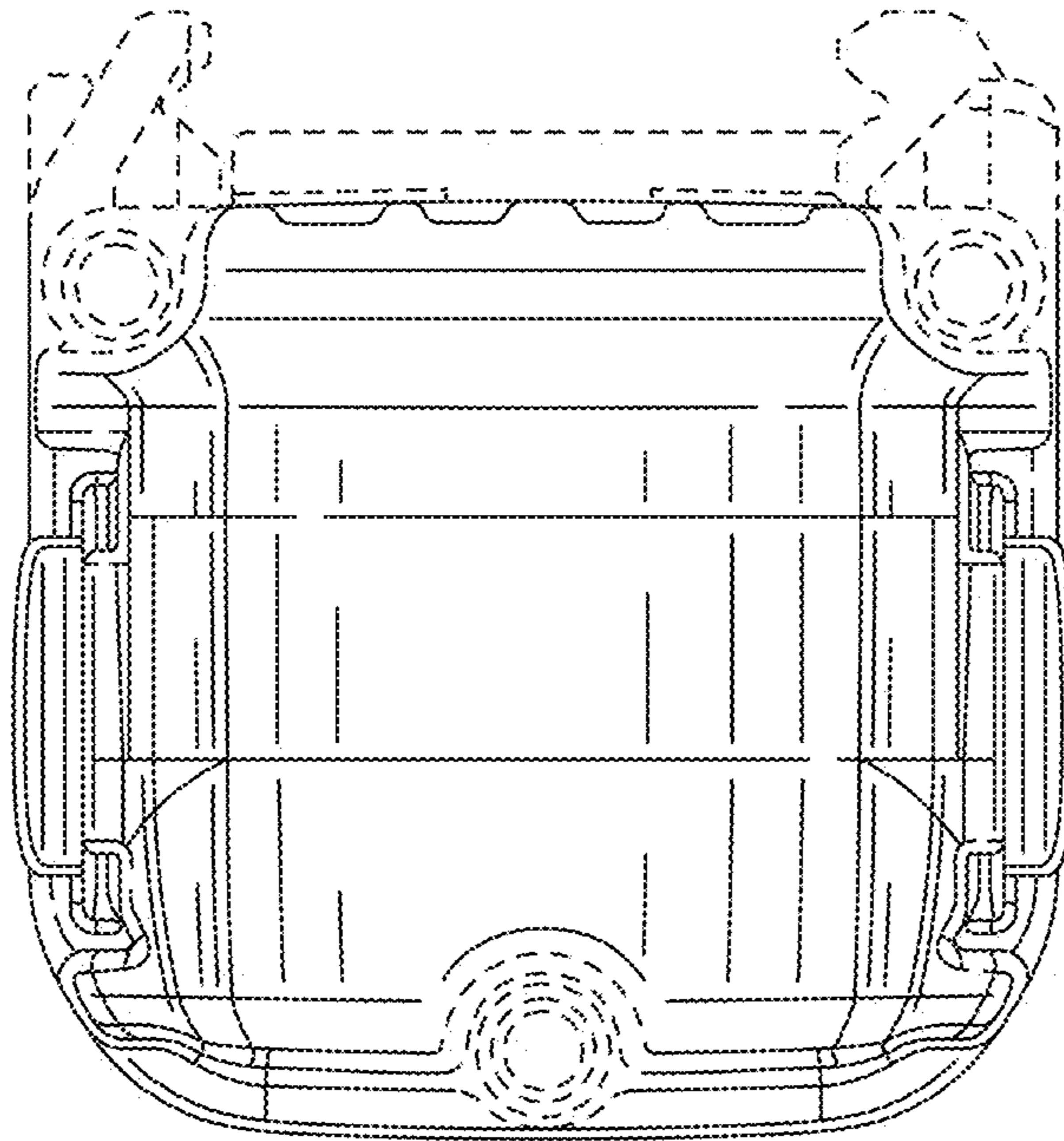


FIG. 8