



US00D898258S

(12) **United States Design Patent** (10) **Patent No.:** **US D898,258 S**
Bao (45) **Date of Patent:** **** Oct. 6, 2020**

(54) **WORK LAMP**

(71) Applicant: **YUYAO YUCHANG ELECTRICAL APPLIANCE CO., LTD.**, Zhejiang (CN)

(72) Inventor: **Yong Bao**, Zhejiang (CN)

(73) Assignee: **YUYAO YUCHANG ELECTRICAL APPLIANCE CO., LTD.**, Zhejiang (CN)

(**) Term: **15 Years**

(21) Appl. No.: **29/681,015**

(22) Filed: **Feb. 21, 2019**

(30) **Foreign Application Priority Data**

Aug. 27, 2018 (CN) 2018 3 0477299

(51) **LOC (12) Cl.** **26-02**

(52) **U.S. Cl.**
USPC **D26/44**

(58) **Field of Classification Search**
USPC D26/37-51
CPC F21L 4/00; F21L 4/005; F21L 4/02; F21L 4/025; F21L 4/027; F21L 4/04; F21L 4/08; F21L 13/00; F21L 13/04; F21L 13/08; F21L 17/00; F21L 19/00
See application file for complete search history.

(56) **References Cited**

U.S. PATENT DOCUMENTS

D436,199 S *	1/2001	Lam	D26/42
D703,357 S *	4/2014	Grandadam	D26/44
D732,215 S *	6/2015	Su	D26/37
D806,923 S *	1/2018	Koshiba	D26/42
D835,821 S *	12/2018	Bao	D26/44

D839,462 S *	1/2019	Chen	D26/42
D840,074 S *	2/2019	Bao	D26/42
D840,075 S *	2/2019	Bao	D26/44
D845,528 S *	4/2019	Duarte	D26/44
D851,309 S *	6/2019	Sharrah	D26/44
D854,207 S *	7/2019	Zheng	D26/44
D855,228 S *	7/2019	Cooper	D26/44
D864,450 S *	10/2019	Chen	D26/42
D881,430 S *	4/2020	Mao	D26/37
D887,054 S *	6/2020	Zhang	D26/44

* cited by examiner

Primary Examiner — Brandon M Rosati

Assistant Examiner — Stacey L Hopkins

(74) *Attorney, Agent, or Firm* — JCIPRNET

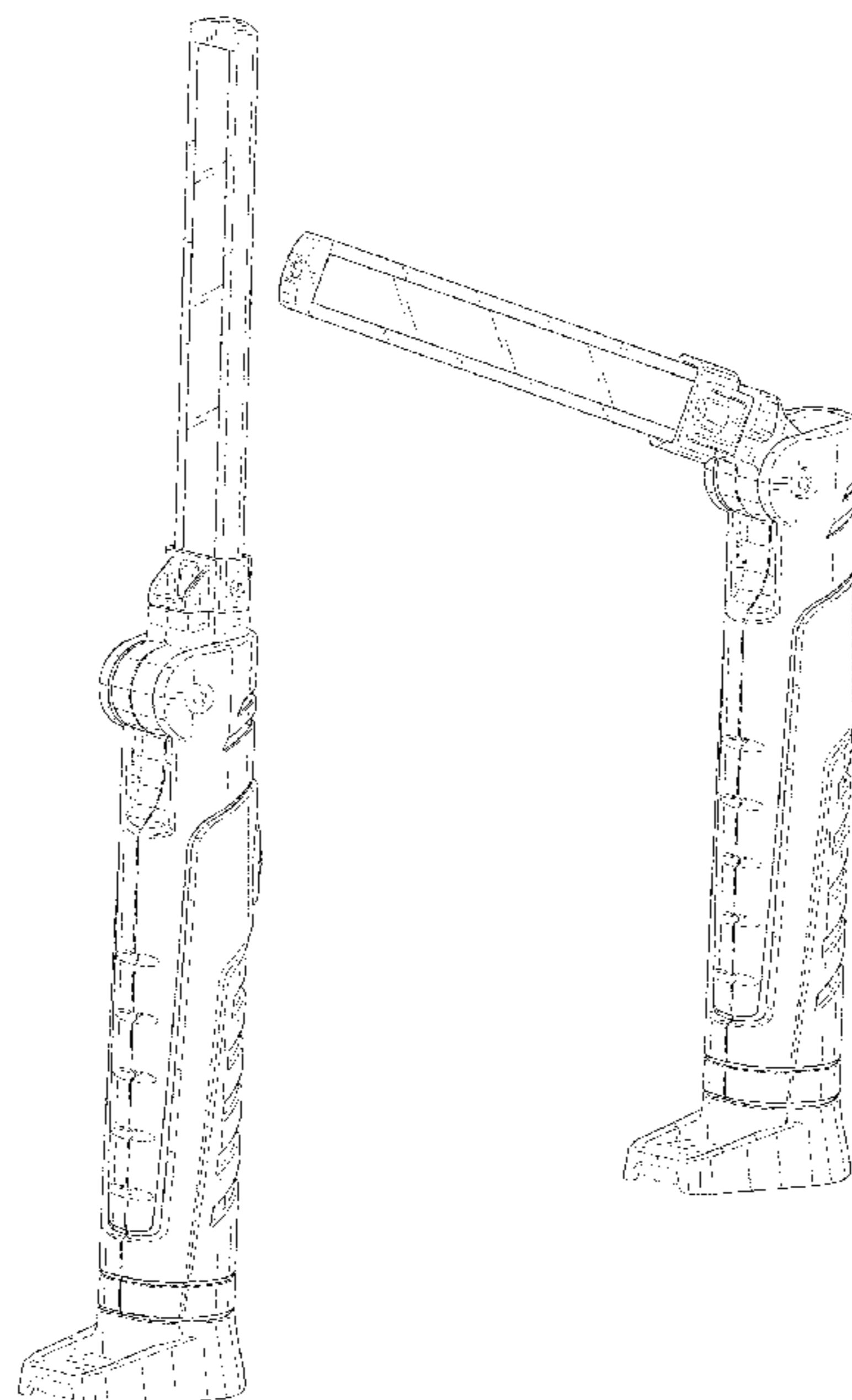
(57) **CLAIM**

The ornamental design for a work lamp, as shown and described.

DESCRIPTION

FIG. 1 is a perspective view of a work lamp showing my new design;
FIG. 2 is a front view thereof;
FIG. 3 is a rear view thereof;
FIG. 4 is a left side view thereof;
FIG. 5 is a right side view thereof;
FIG. 6 is an enlarged top view thereof;
FIG. 7 is an enlarged bottom view thereof;
FIG. 8 is a perspective view thereof with the lamp portion being bent and rotated;
FIG. 9 is a perspective view thereof with the hook rotated out; and,
FIG. 10 is a perspective view thereof with the lamp portion being bent to the handle.
The broken lines show unclaimed portions of the article and form no part of the claimed design.

1 Claim, 10 Drawing Sheets



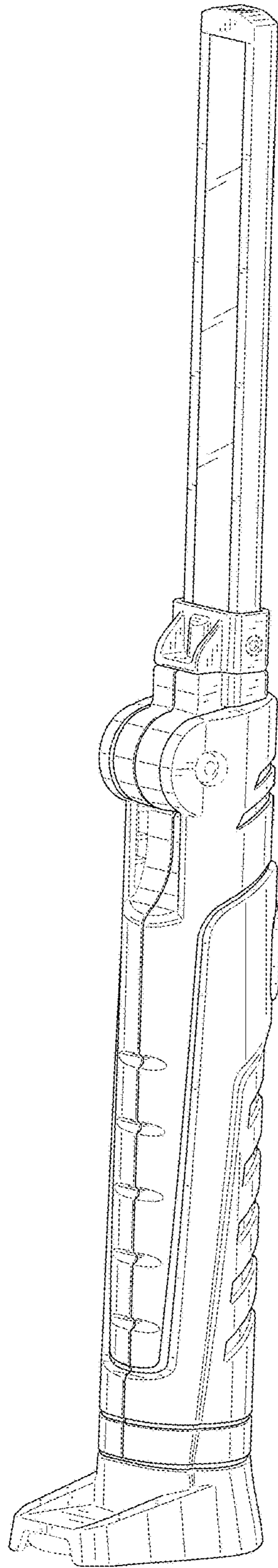


FIG. 1

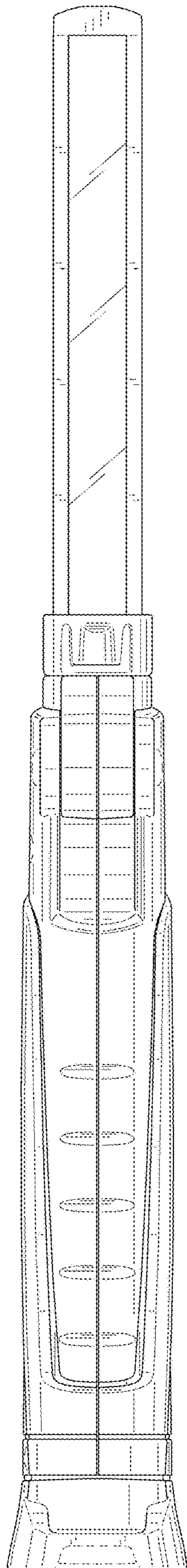


FIG. 2

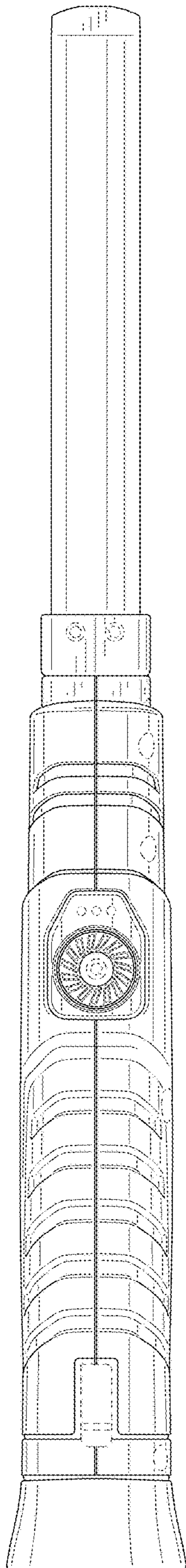


FIG. 3

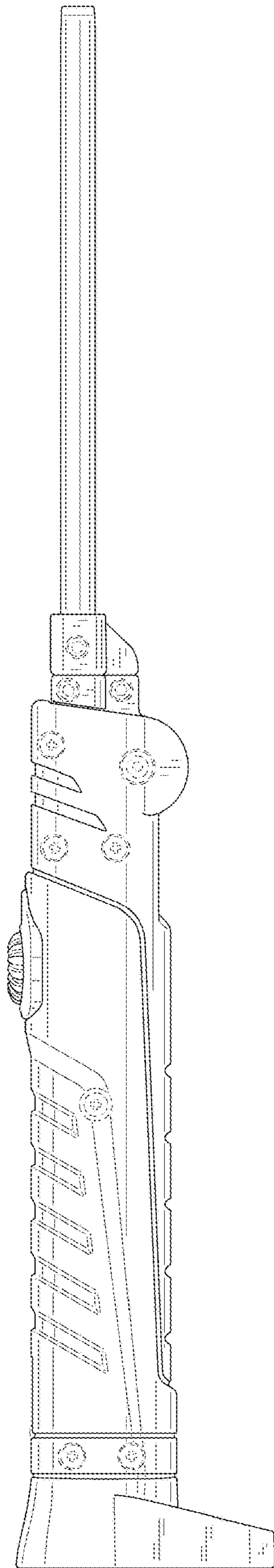


FIG. 4

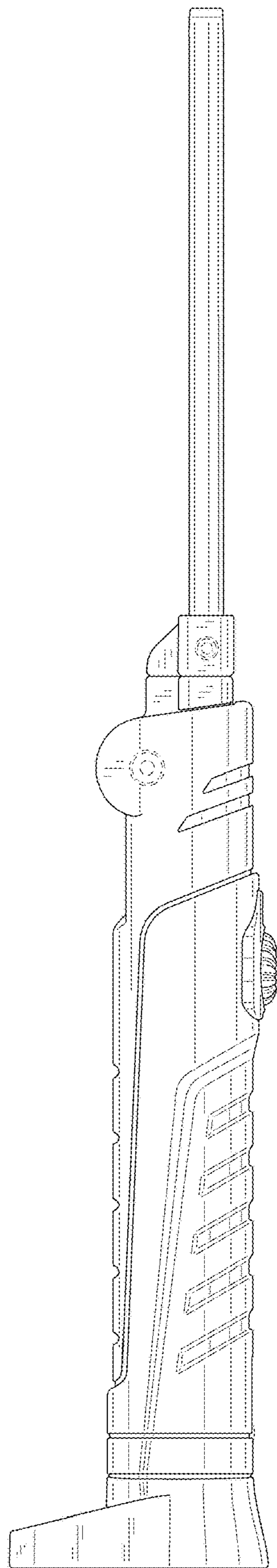


FIG. 5

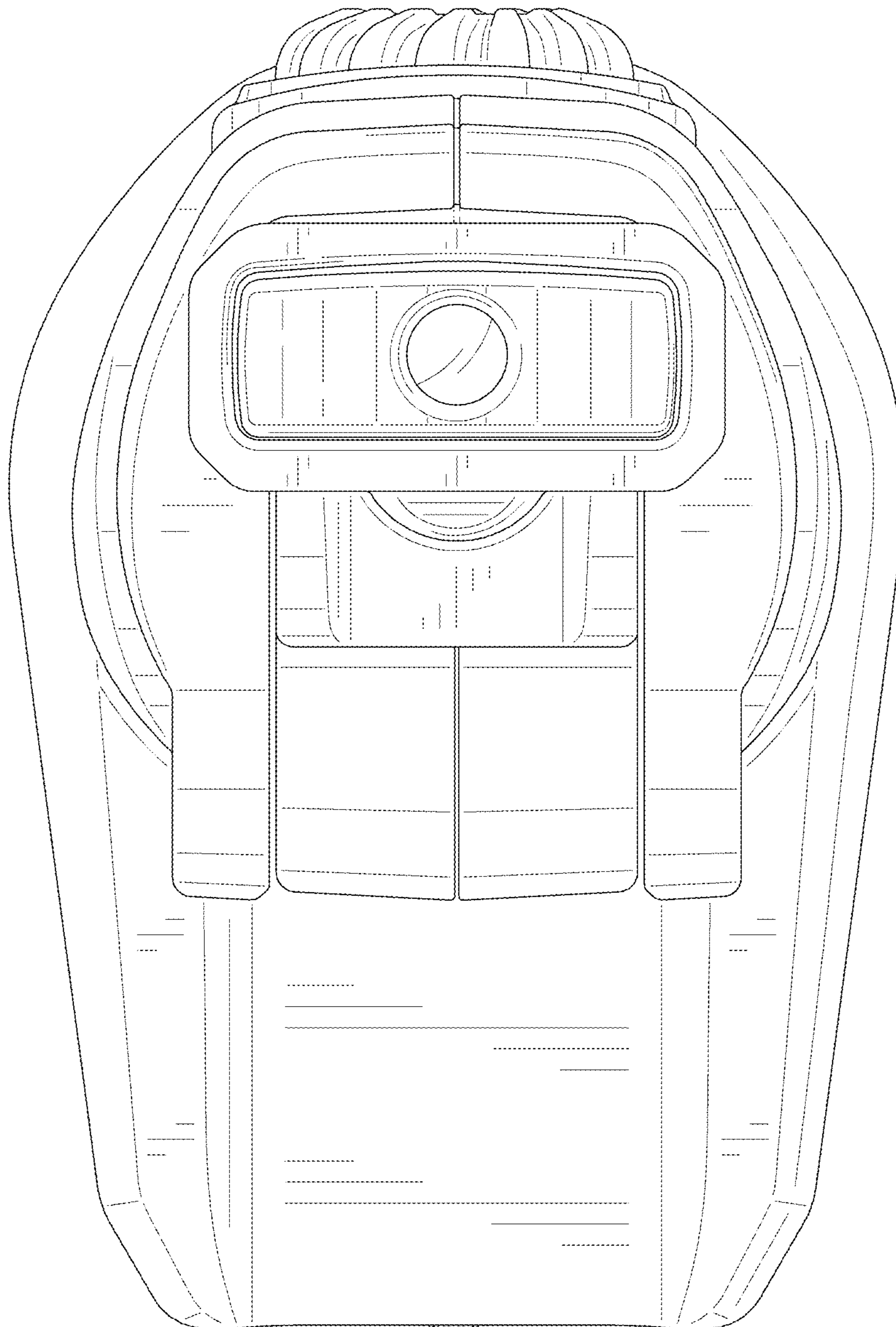


FIG. 6

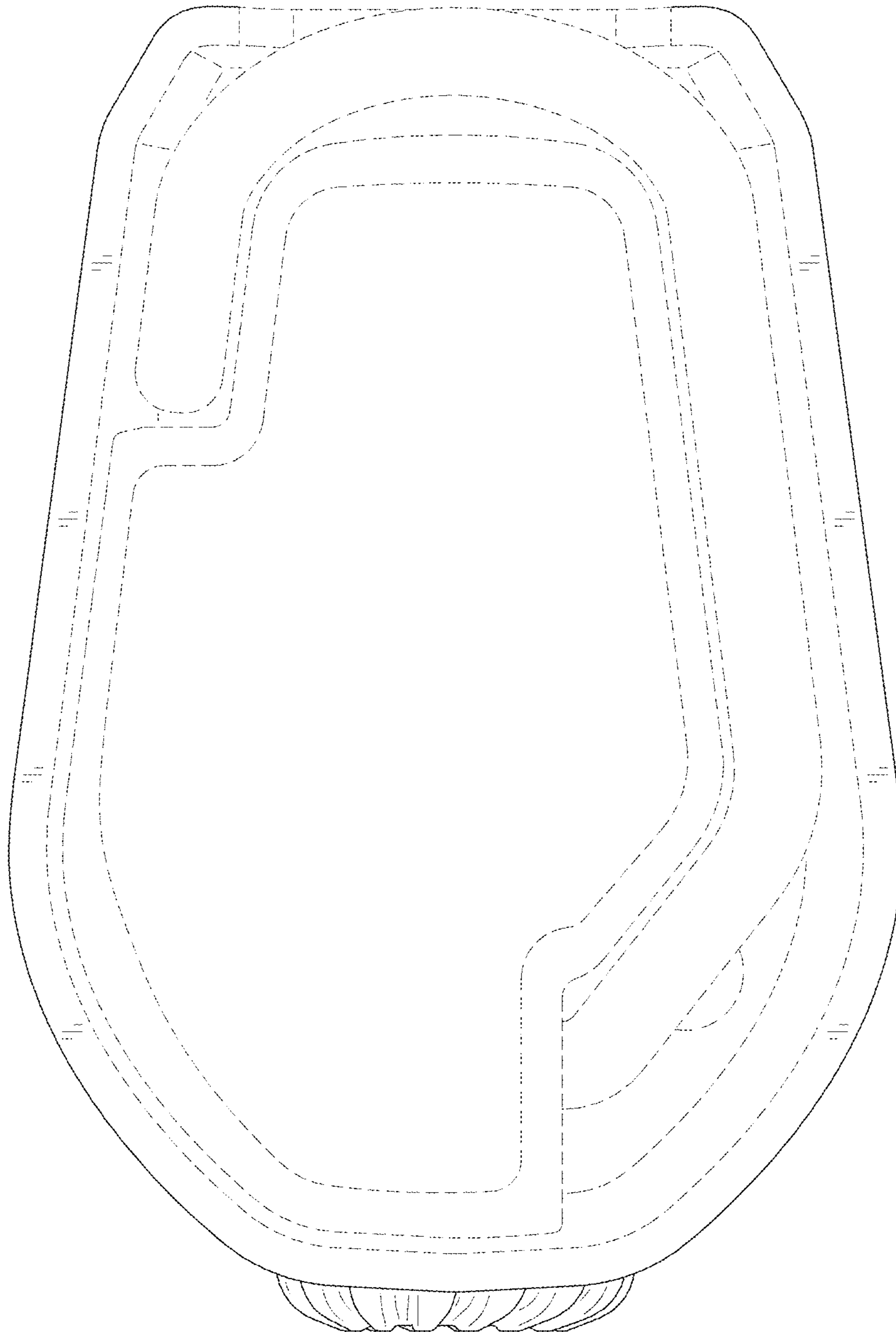


FIG. 7

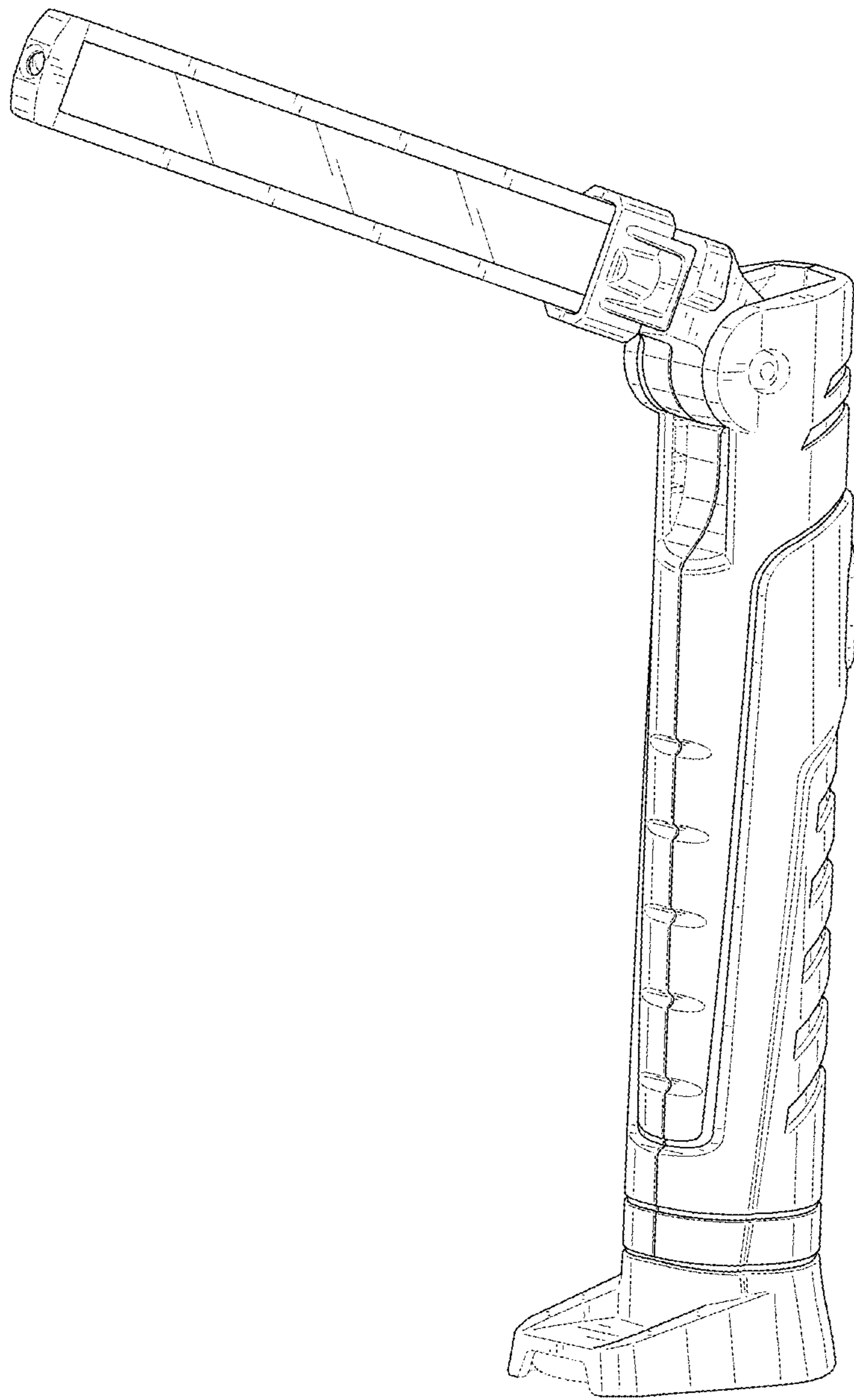


FIG. 8

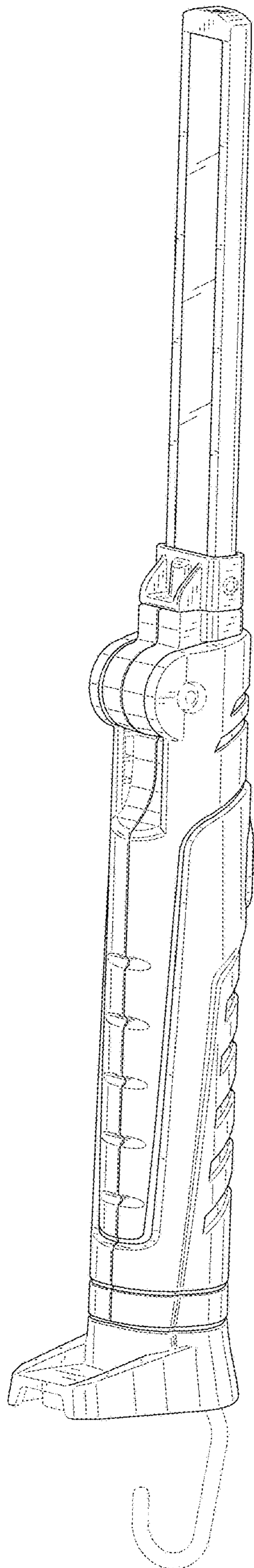


FIG. 9

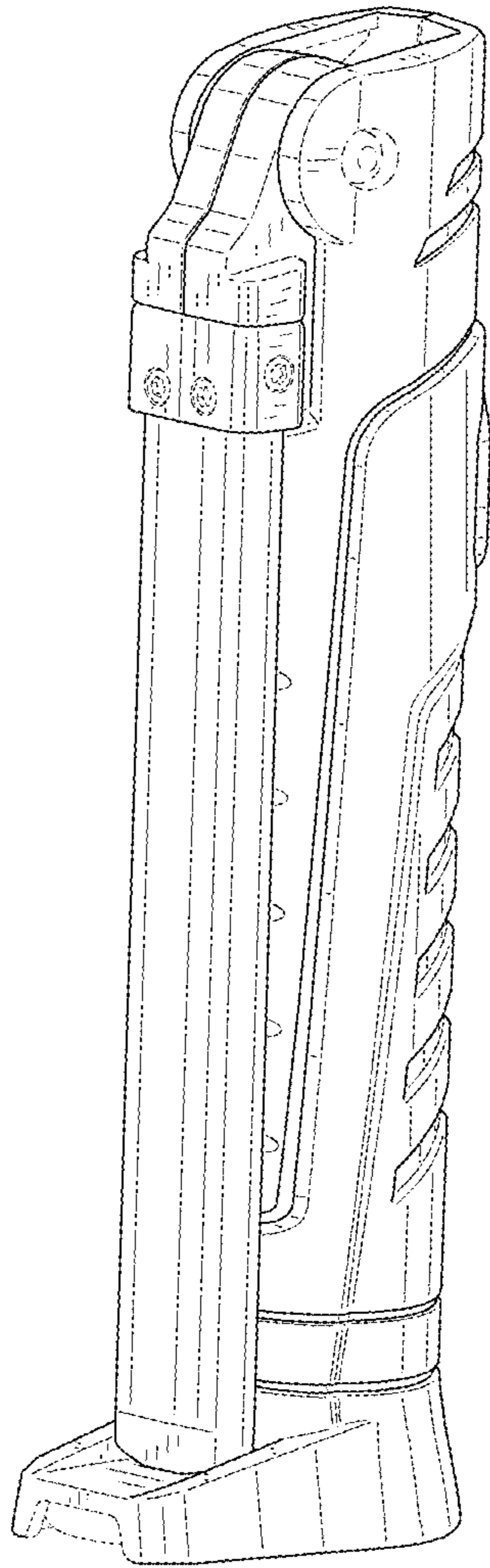


FIG. 10