



US00D898257S

(12) **United States Design Patent** (10) **Patent No.:** **US D898,257 S**
Noga (45) **Date of Patent:** **** Oct. 6, 2020**

- (54) **FISHING AND SHRIMPING LIGHT**
- (71) Applicant: **Rebecca E Noga**, Edgewater, FL (US)
- (72) Inventor: **Rebecca E Noga**, Edgewater, FL (US)
- (**) Term: **15 Years**
- (21) Appl. No.: **29/623,355**
- (22) Filed: **Oct. 24, 2017**

Related U.S. Application Data

- (63) Continuation-in-part of application No. 29/562,779, filed on Apr. 28, 2016, now Pat. No. Des. 805,669.
- (51) **LOC (12) Cl.** **26-02**
- (52) **U.S. Cl.**
USPC **D26/43**
- (58) **Field of Classification Search**
USPC D26/37-51
CPC F21L 2300/00; F21L 4/00; F21L 4/005;
F21L 4/02; F21L 4/025; F21L 4/027;
F21L 4/04; F21L 4/08; F21L 2005/00;
F21L 7/00; F21L 11/00; F21L 13/00;
F21L 13/04; F21L 13/08; F21L 14/02;
F21L 17/00; F21L 19/00; F21L 25/00
See application file for complete search history.

(56) **References Cited**

U.S. PATENT DOCUMENTS

- D333,190 S 2/1993 Waldmann
 - D416,344 S 11/1999 Hawkins
- (Continued)

Primary Examiner — Lakiya G Rogers
Assistant Examiner — Carissa C Fitts
 (74) *Attorney, Agent, or Firm* — Quickpatents, LLC;
 Kevin Prince

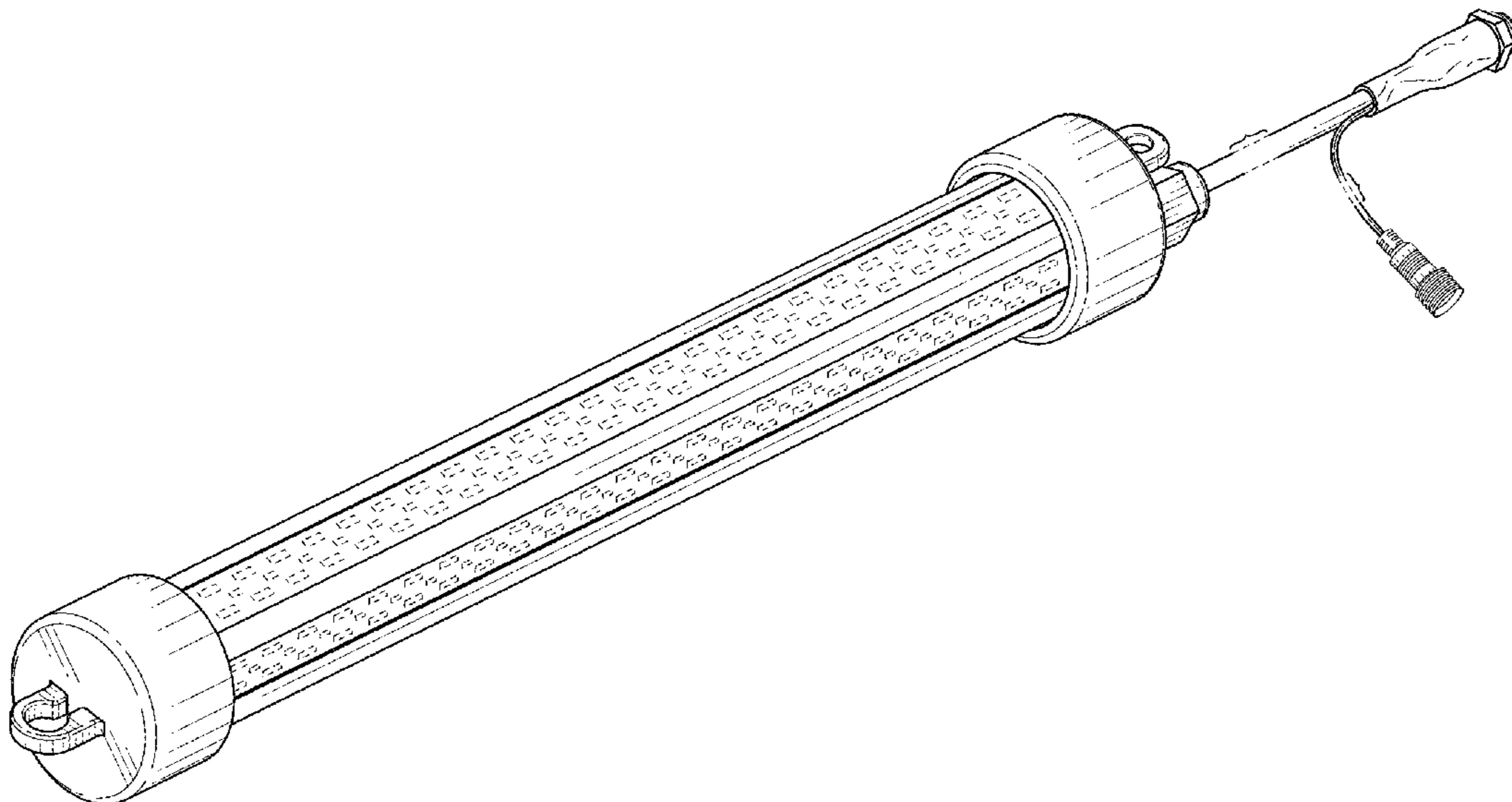
(57) **CLAIM**

I claim the ornamental design for a fishing and shrimping light, as shown and described.

DESCRIPTION

FIG. 1 is a perspective view of a fishing and shrimping light, showing a first embodiment of my new design;
 FIG. 2 is a bottom plan view of FIG. 1;
 FIG. 3 is a top plan view of FIG. 1;
 FIG. 4 is a left-side elevational view of FIG. 1;
 FIG. 5 is a right-side elevational view of FIG. 1;
 FIG. 6 is a front elevational view of FIG. 1;
 FIG. 7 is a rear elevational view of FIG. 1;
 FIG. 8 is a perspective view of a second embodiment thereof;
 FIG. 9 is a bottom plan view of FIG. 8;
 FIG. 10 is a top plan view of FIG. 8;
 FIG. 11 is a left-side elevational view of FIG. 8;
 FIG. 12 is a right-side elevational view of FIG. 8;
 FIG. 13 is a front elevational view of FIG. 8;
 FIG. 14 is a rear elevational view of FIG. 8;
 FIG. 15 is a perspective view of a third embodiment thereof;
 FIG. 16 is a bottom plan view of FIG. 15;
 FIG. 17 is a top plan view of FIG. 15;
 FIG. 18 is a left-side elevational view of FIG. 15;
 FIG. 19 is a right-side elevational view of FIG. 15;
 FIG. 20 is a front elevational view of FIG. 15;
 FIG. 21 is a rear elevational view of FIG. 15;
 FIG. 22 is a perspective view of a fourth embodiment thereof;
 FIG. 23 is a bottom plan view of FIG. 22;
 FIG. 24 is a top plan view of FIG. 22;
 FIG. 25 is a left-side elevational view of FIG. 22;
 FIG. 26 is a right-side elevational view of FIG. 22;
 FIG. 27 is a front elevational view of FIG. 22; and,
 FIG. 28 is a rear elevational view of FIG. 22.
 The Fishing and Shrimping Light is shown with a symbolic break in its length. The appearance of any portion of the article between the breaks forms no part of the claimed design. The broken lines show portions of the article which form no part of the claimed design.

1 Claim, 20 Drawing Sheets



(56)

References Cited

U.S. PATENT DOCUMENTS

D421,142 S 2/2000 Bayat
 D425,234 S * 5/2000 Marier D26/60
 D430,946 S 9/2000 MacAllister
 D446,877 S 8/2001 Lester
 D457,664 S 5/2002 Moriyama
 D458,339 S 6/2002 Cheong
 6,671,995 B1 1/2004 Harkin
 D505,217 S 5/2005 Bayat
 D538,456 S 3/2007 Trigiani
 D556,926 S * 12/2007 Thirouin D26/37
 D567,977 S 4/2008 Jianwei
 D567,978 S 4/2008 Jianwei
 7,367,689 B2 5/2008 Huang
 D593,695 S 6/2009 Levine
 D620,627 S 7/2010 Kovacic
 7,825,354 B2 11/2010 Flagle
 D637,749 S * 5/2011 Bayat D26/49
 D638,566 S * 5/2011 Goelz D26/75
 D640,400 S * 6/2011 Huang D26/42
 8,360,599 B2 * 1/2013 Ivey F21V 23/06
 362/218
 8,419,211 B2 4/2013 Chi
 D690,050 S * 9/2013 Ng D26/80
 D690,452 S 9/2013 Payne
 8,533,990 B2 9/2013 Aanenson et al.

D691,310 S * 10/2013 Zhou D26/37
 D694,446 S 11/2013 Zhou
 D698,056 S * 1/2014 Forbes D26/42
 D698,959 S * 2/2014 Shen D26/46
 D701,986 S 4/2014 Goeckel
 D711,573 S 8/2014 Payne
 D726,355 S 4/2015 Payne
 D757,973 S * 5/2016 Zhang D26/44
 D765,898 S * 9/2016 Caito D26/42
 D805,669 S * 12/2017 Noga D26/51
 D805,699 S 12/2017 Noga
 D811,635 S * 2/2018 Urry D26/42
 D854,207 S * 7/2019 Zheng D26/44
 2003/0115787 A1 6/2003 Lindgren
 2004/0007980 A1 1/2004 Shibata
 2004/0111950 A1 6/2004 Lindgren
 2006/0198132 A1 9/2006 Trigiani
 2010/0033968 A1 2/2010 Kachkin
 2010/0067230 A1 * 3/2010 Uang F21K 9/27
 362/249.02
 2013/0063944 A1 * 3/2013 Lodhie F21K 9/278
 362/249.02
 2013/0135852 A1 5/2013 Chan
 2013/0250558 A1 9/2013 Griffin
 2013/0333270 A1 12/2013 Castaneda
 2015/0173337 A1 6/2015 Reed
 2016/0021857 A1 1/2016 Lin
 2016/0360585 A1 12/2016 Urry et al.

* cited by examiner

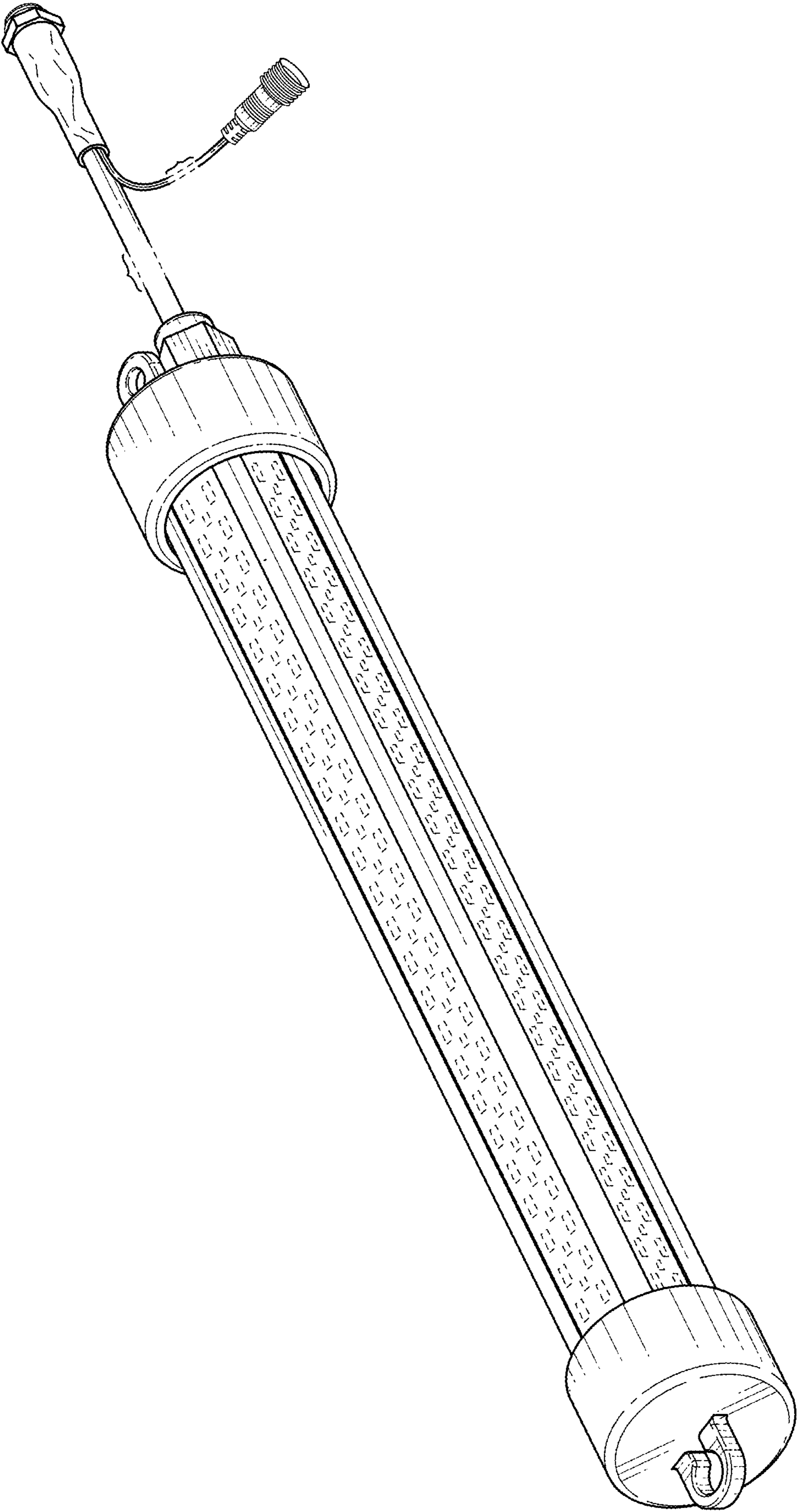


FIG. 1

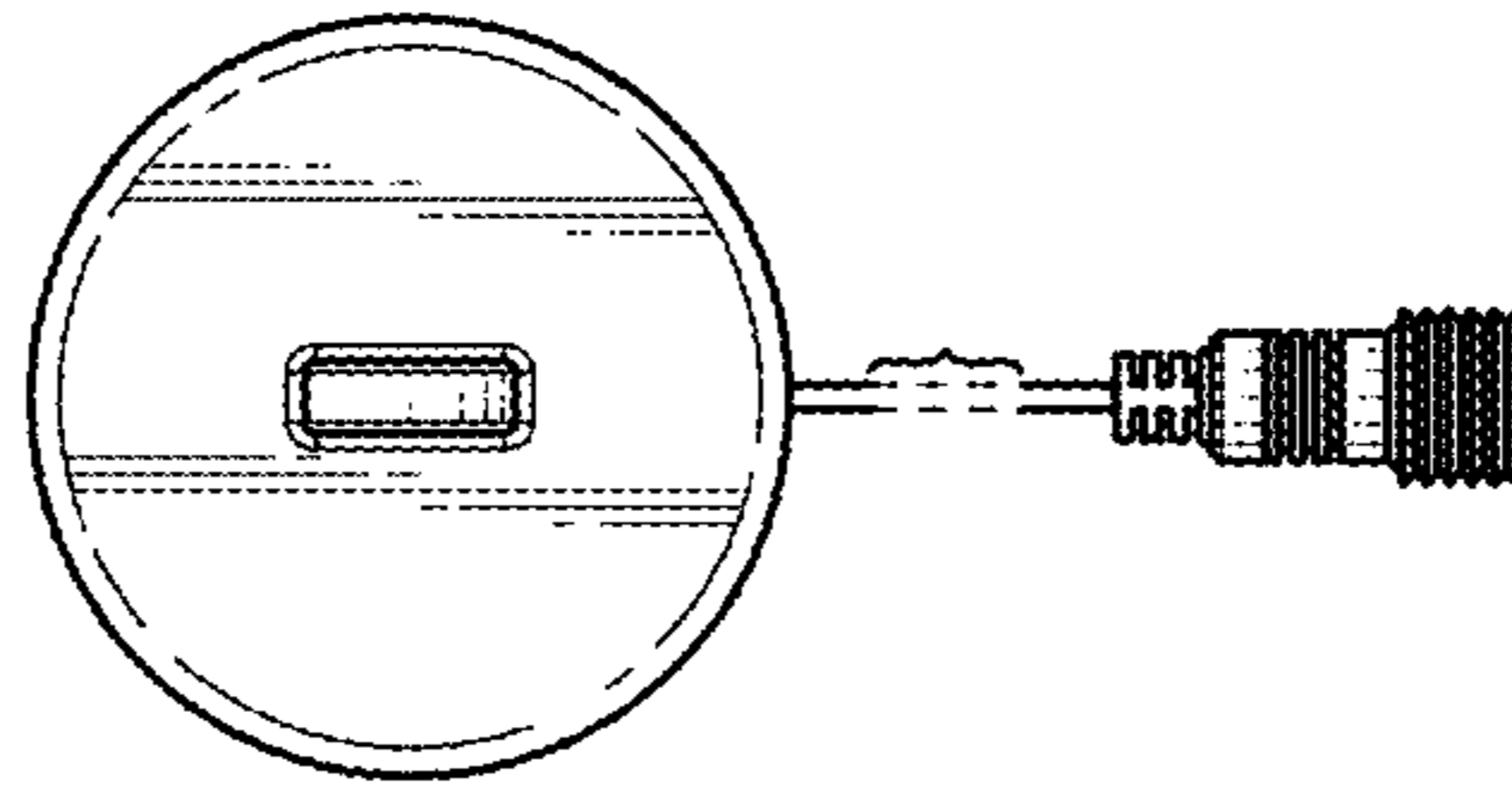


FIG. 2

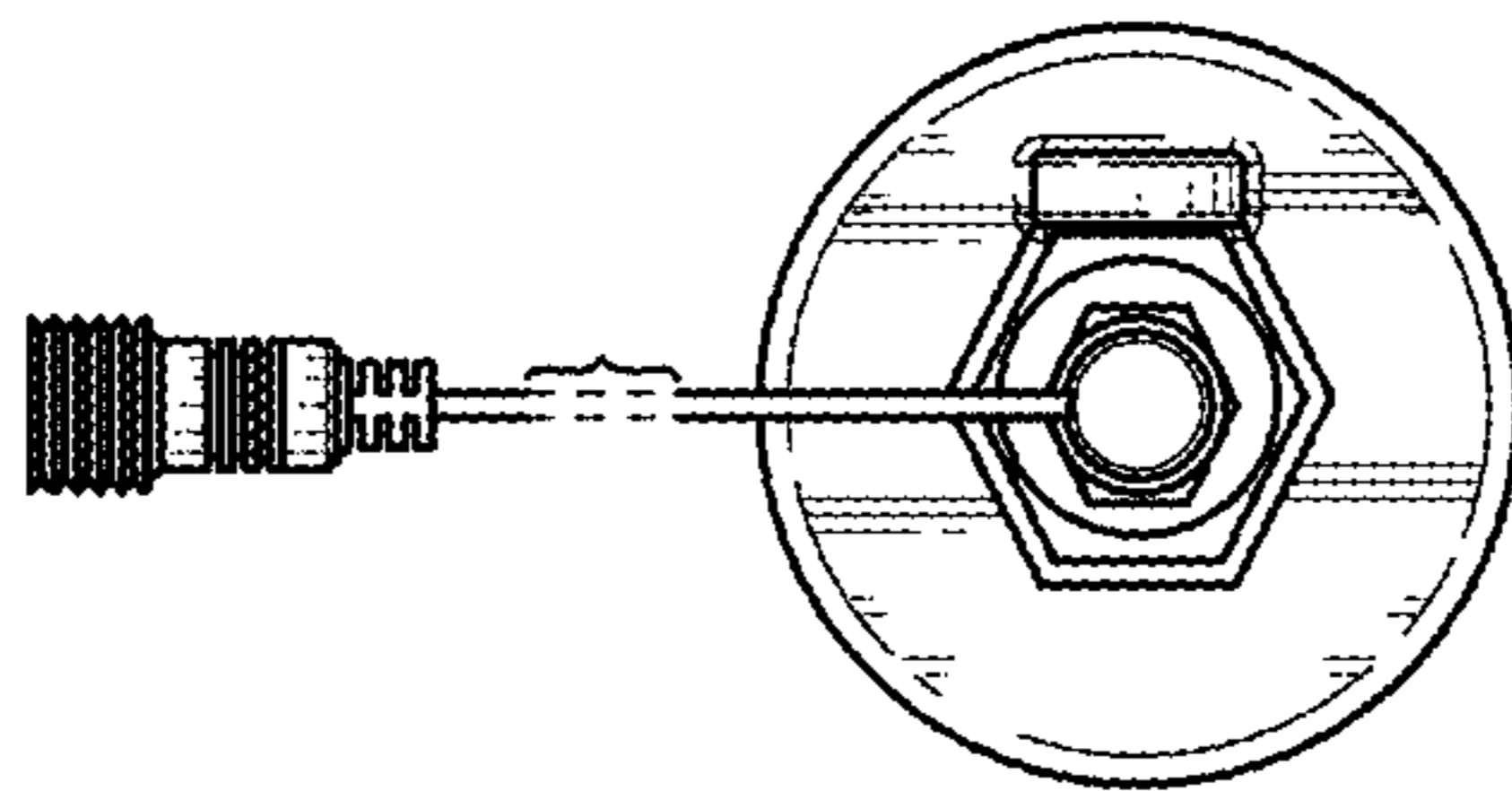


FIG. 3

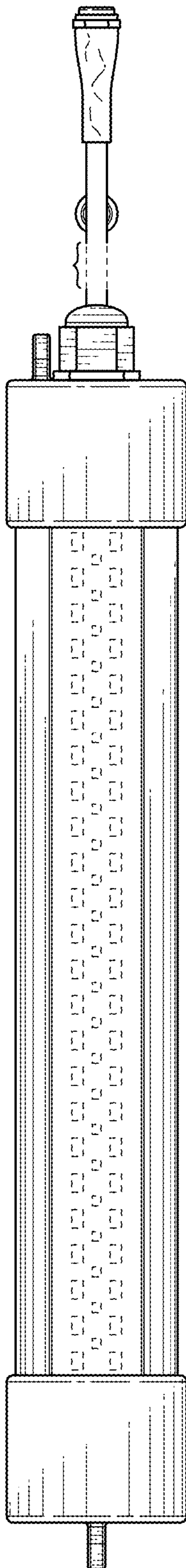


FIG. 4

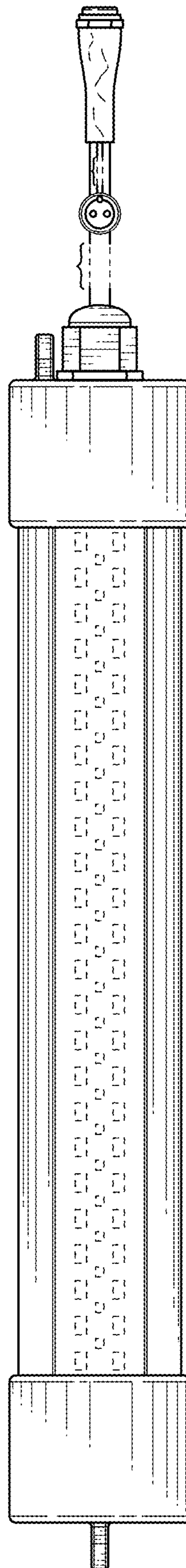


FIG. 5

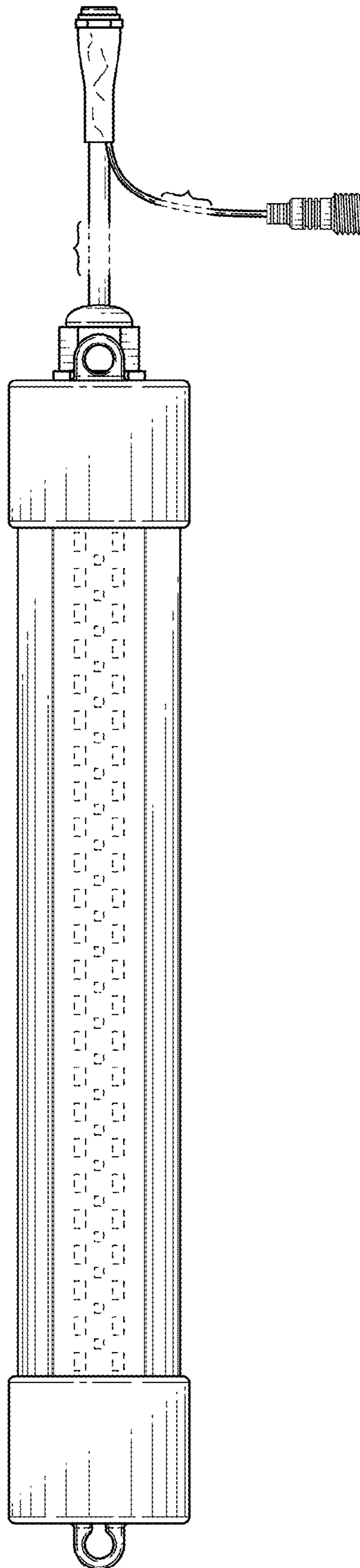


FIG. 6

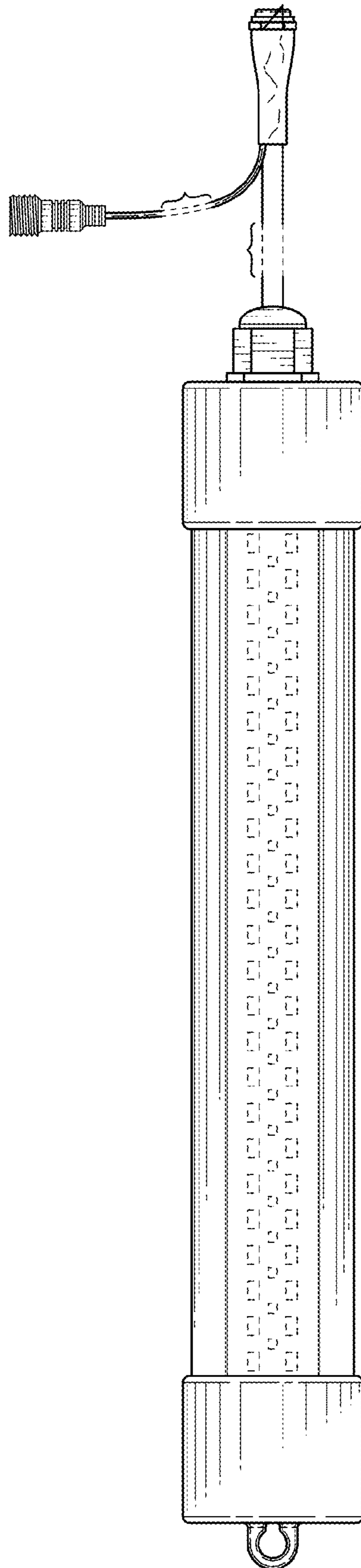


FIG. 7

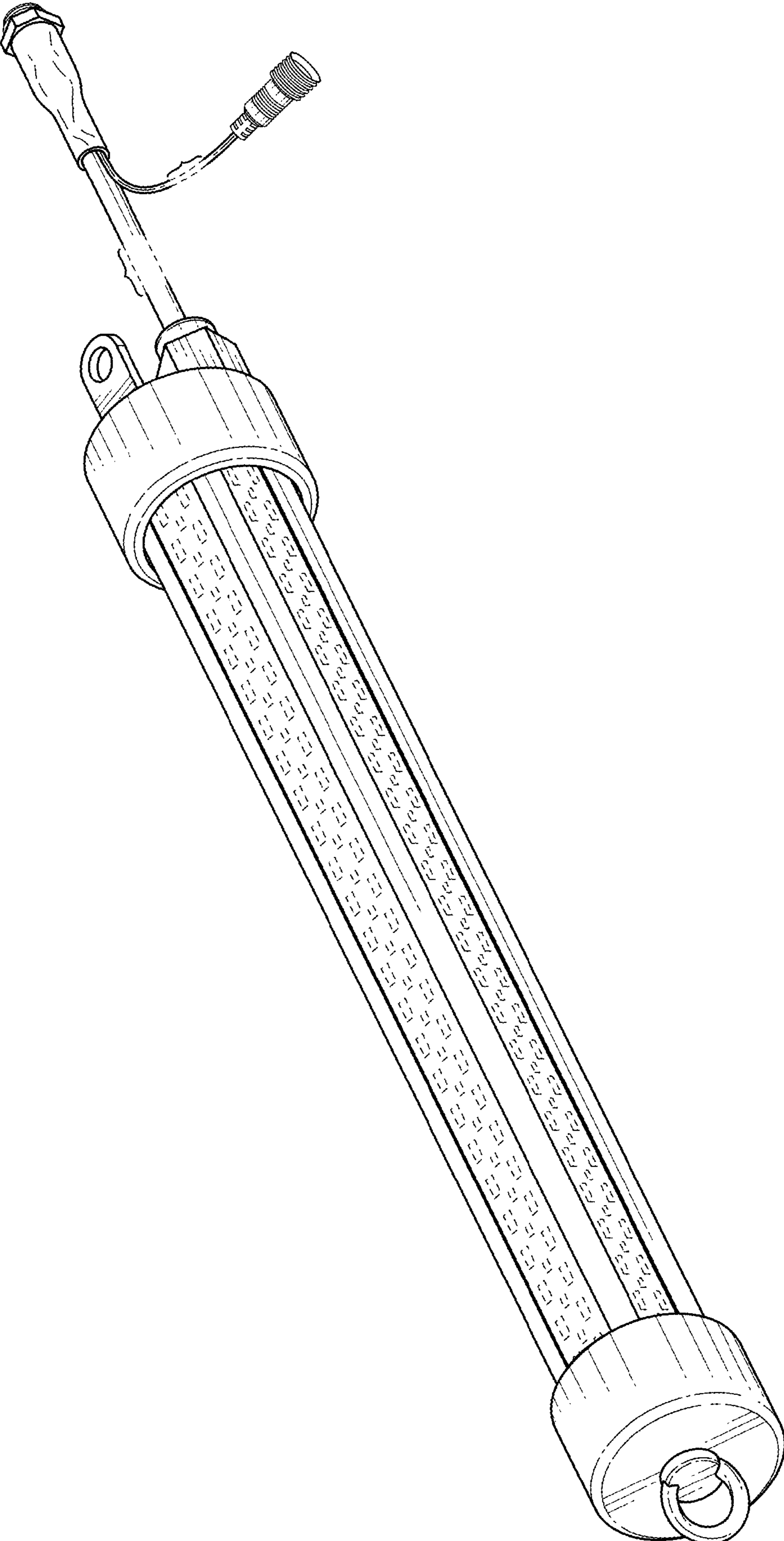


FIG. 8

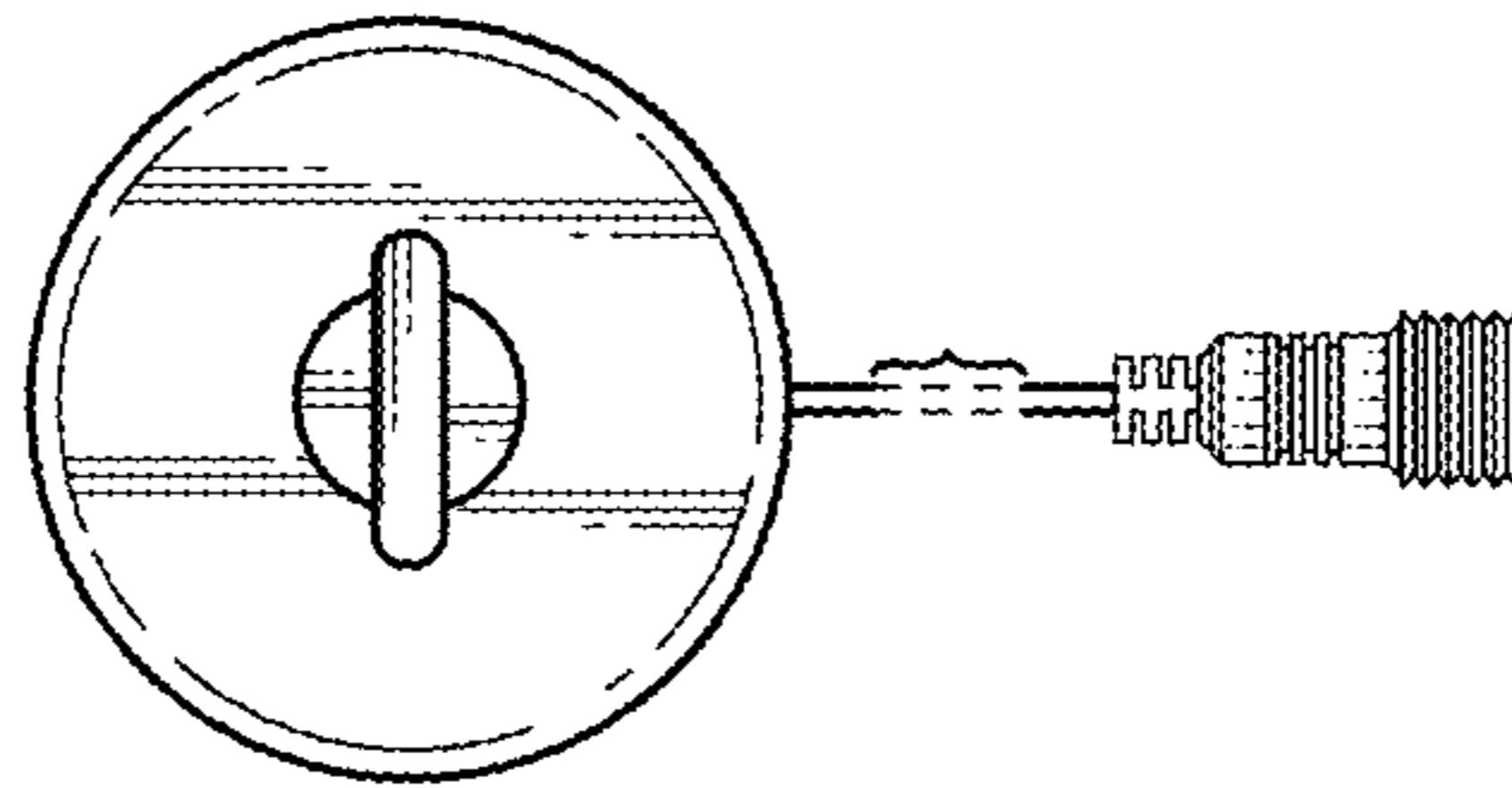


FIG. 9

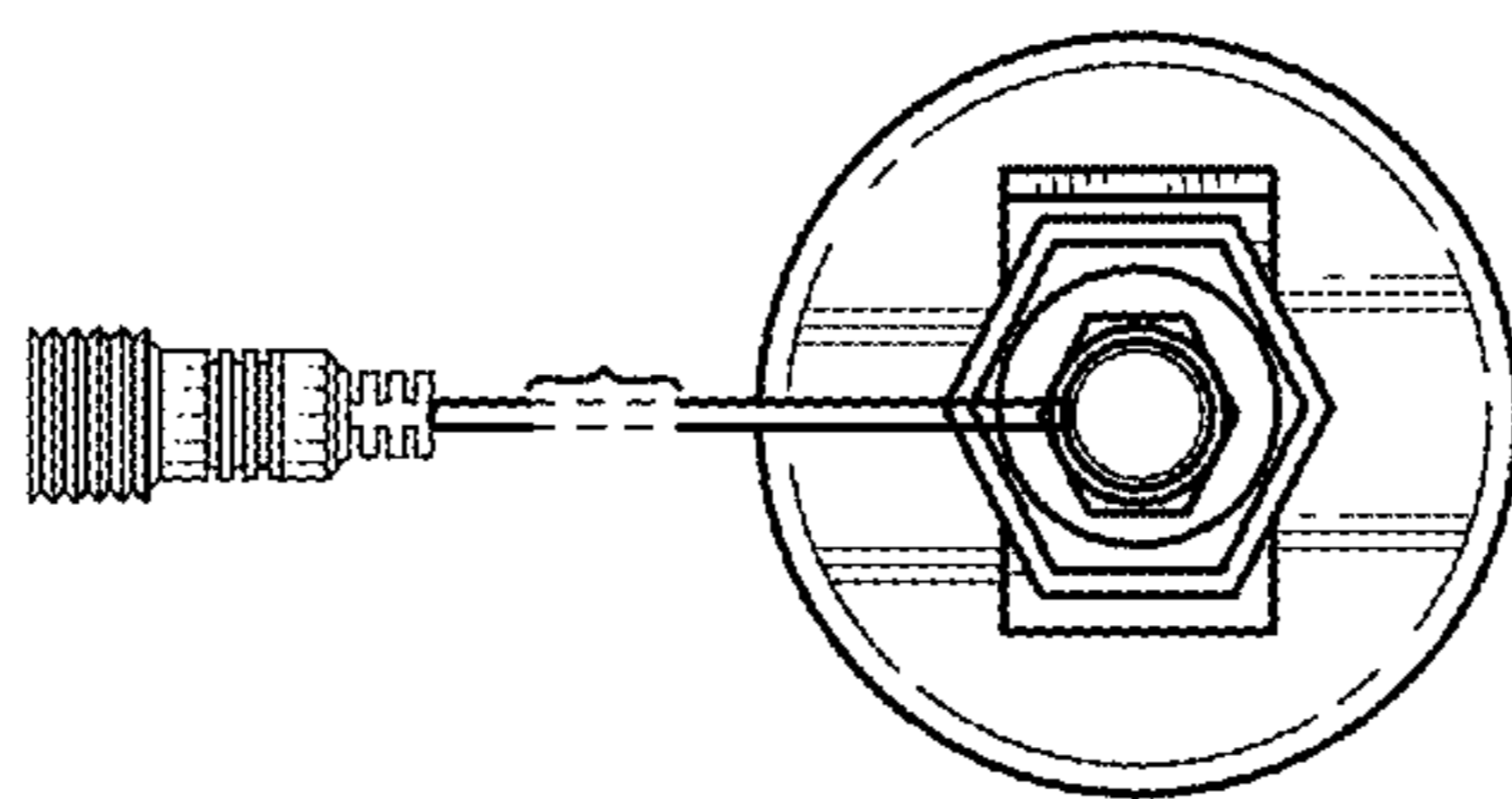


FIG. 10

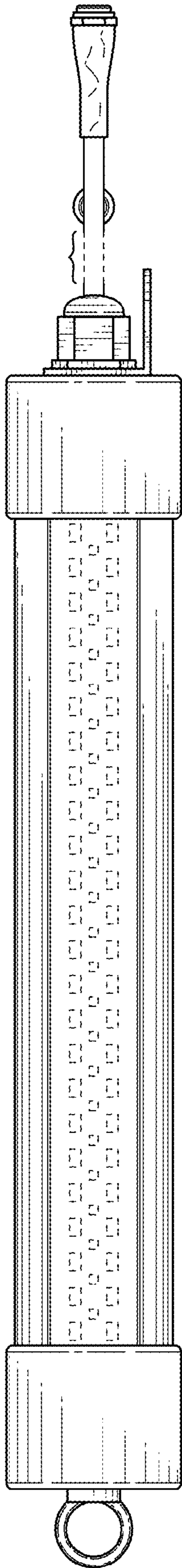


FIG. 11

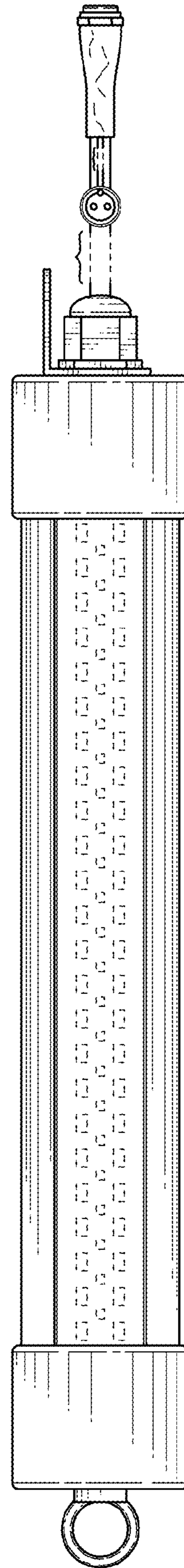


FIG. 12

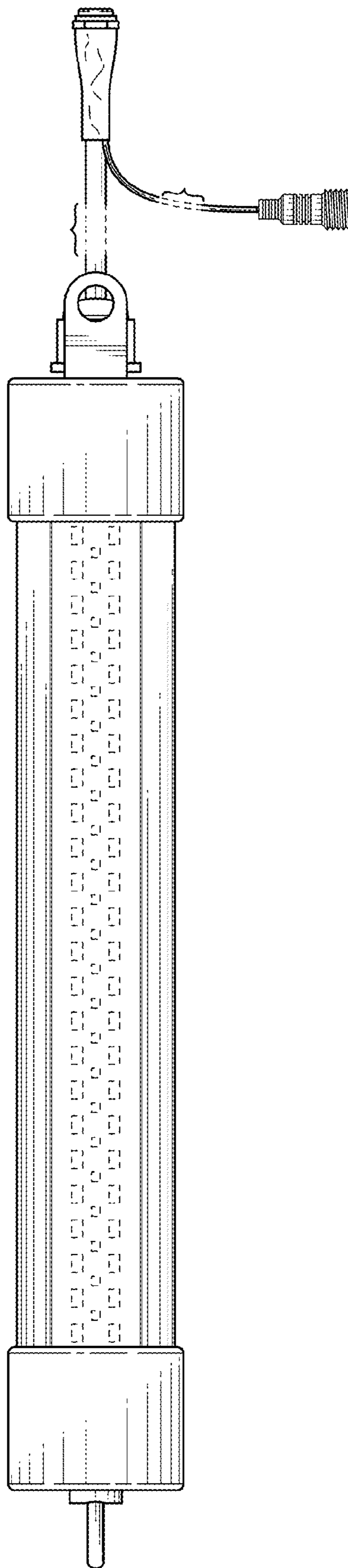


FIG. 13

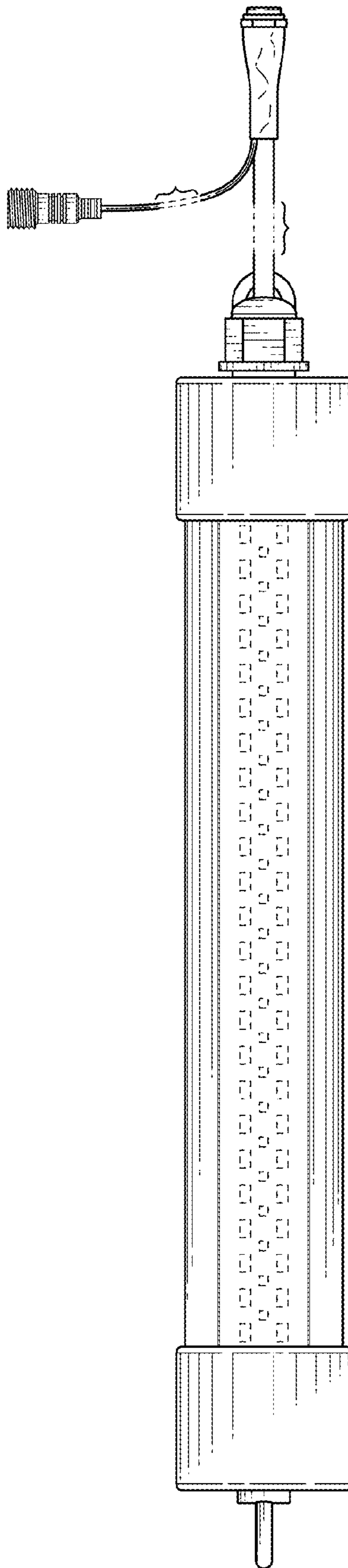


FIG. 14

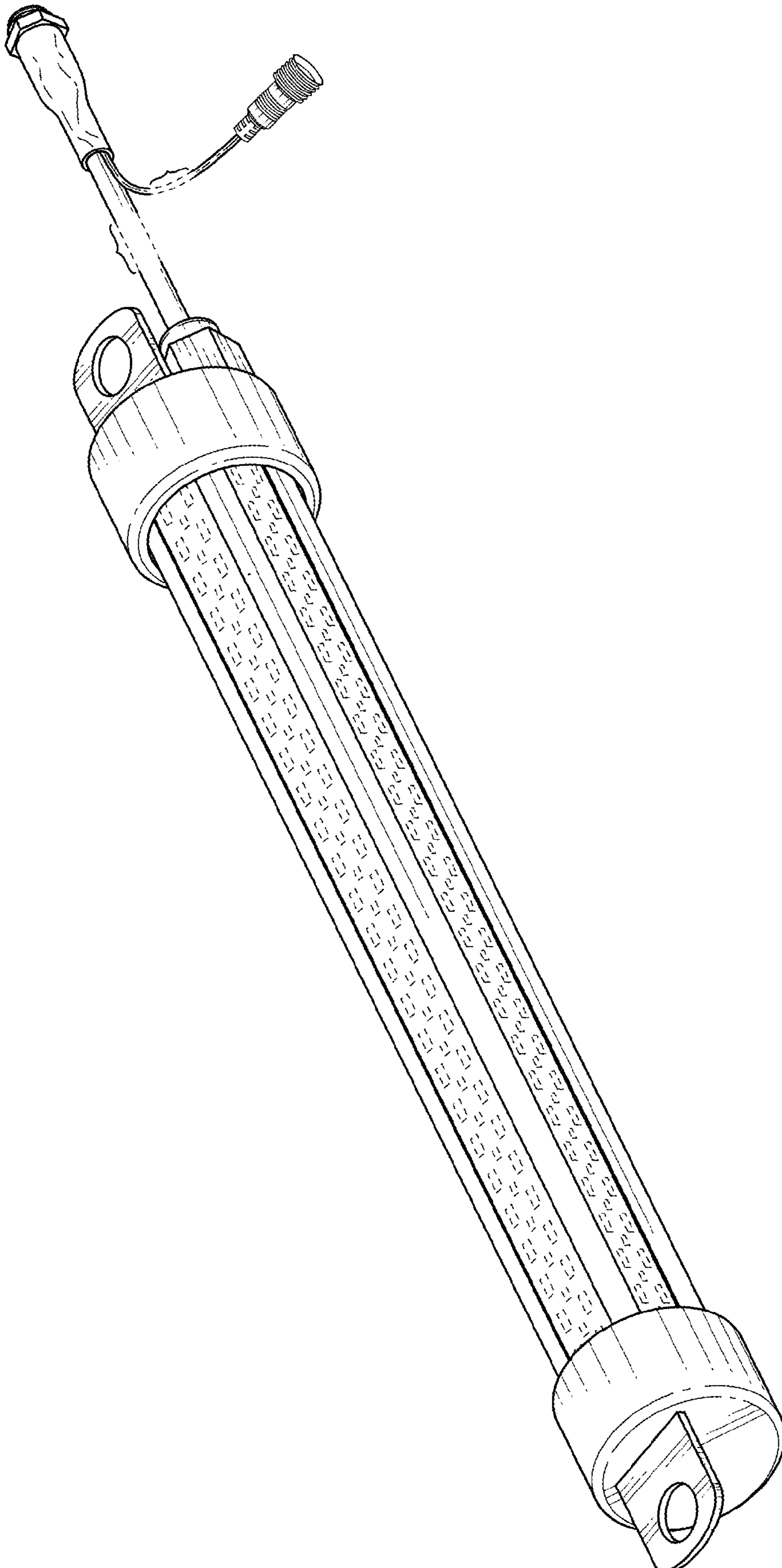


FIG. 15

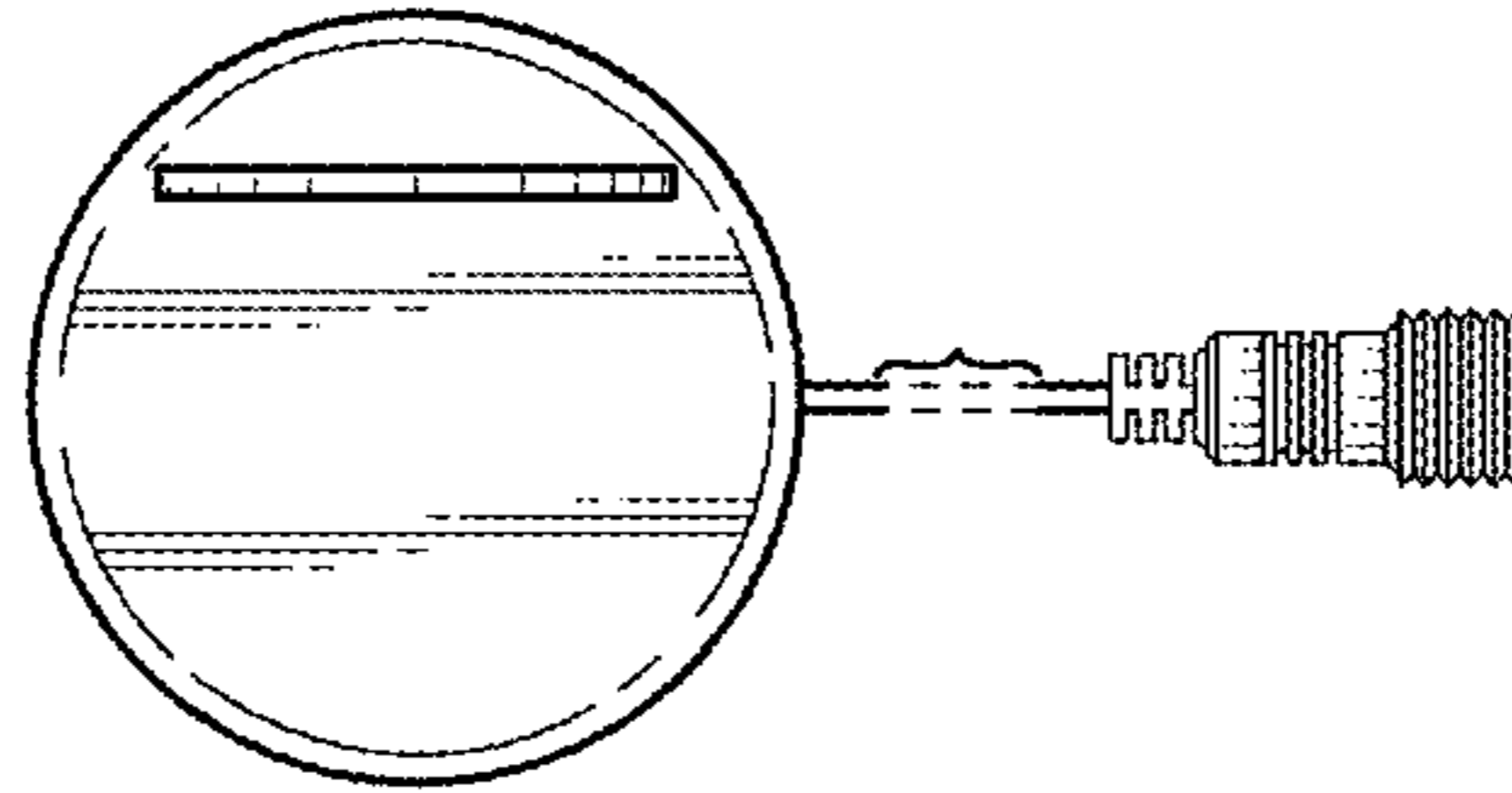


FIG. 16

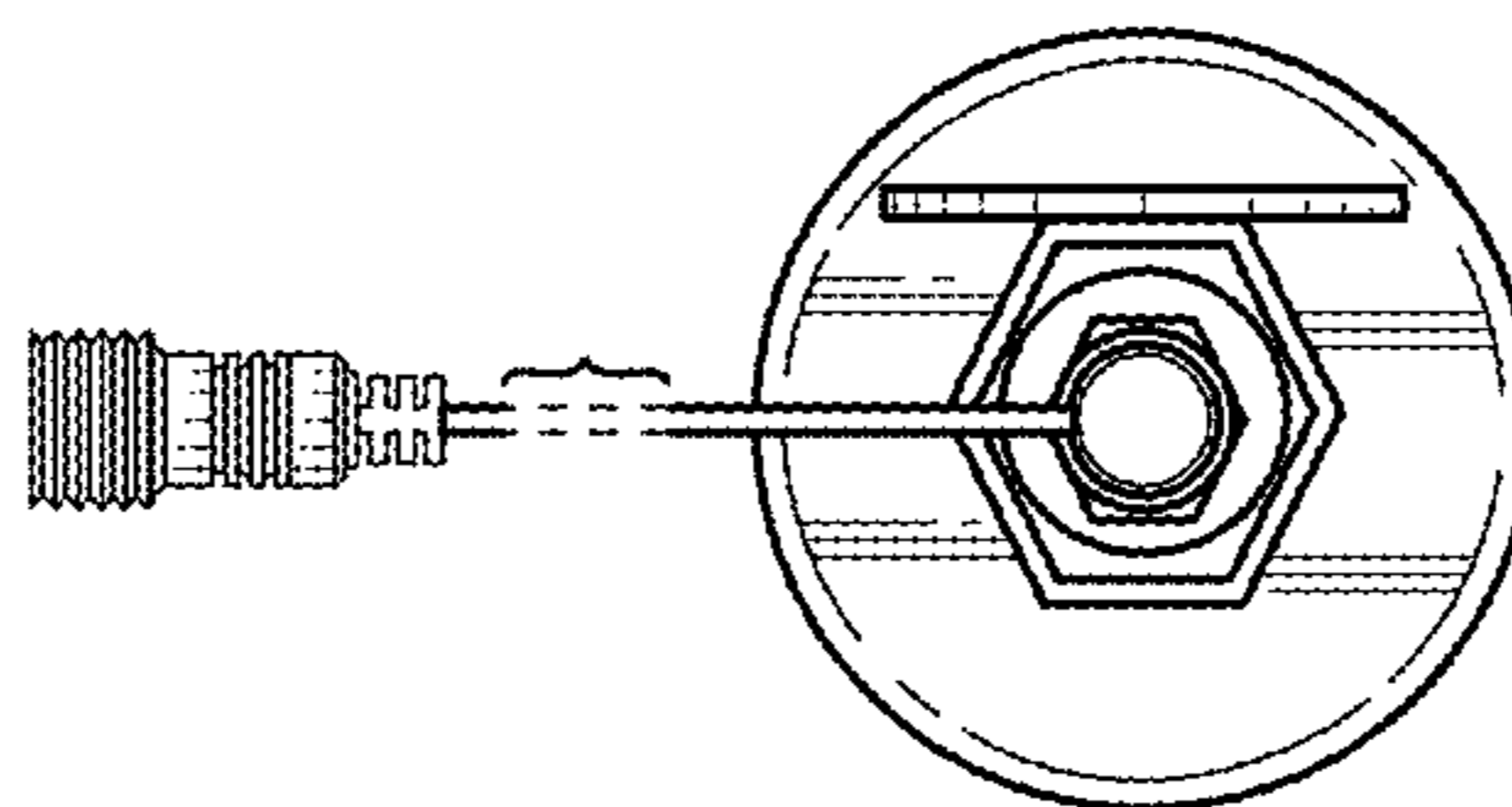


FIG. 17

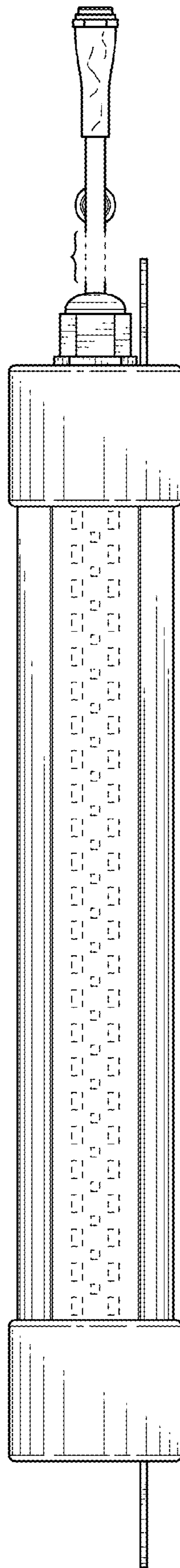


FIG. 18

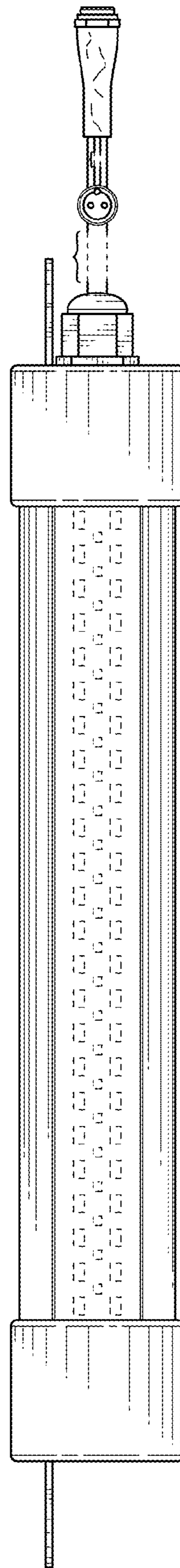


FIG. 19

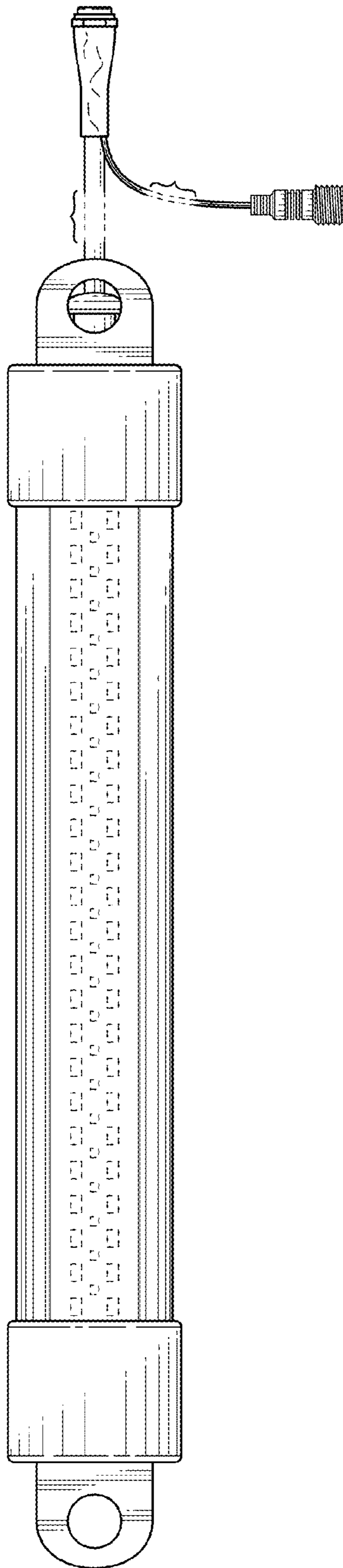


FIG. 20

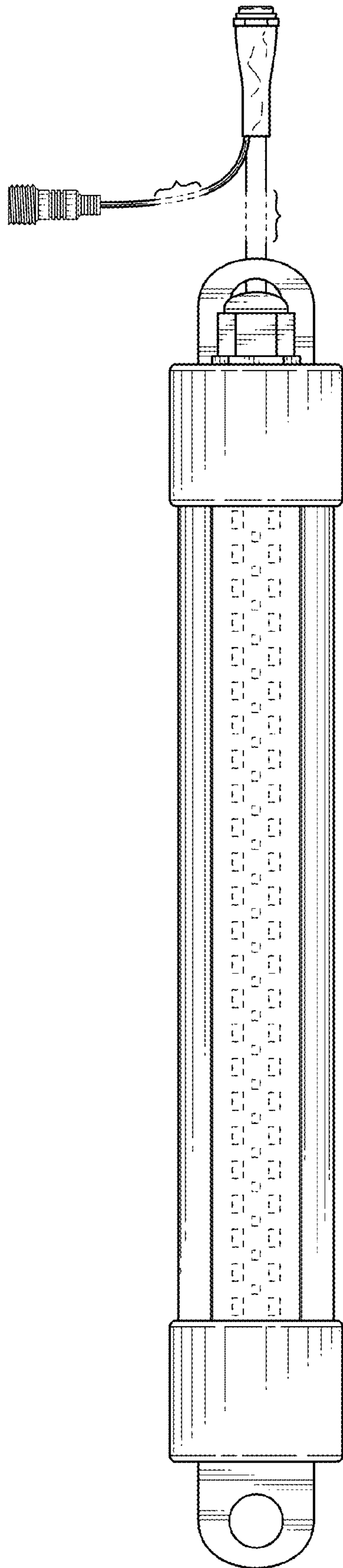


FIG. 21

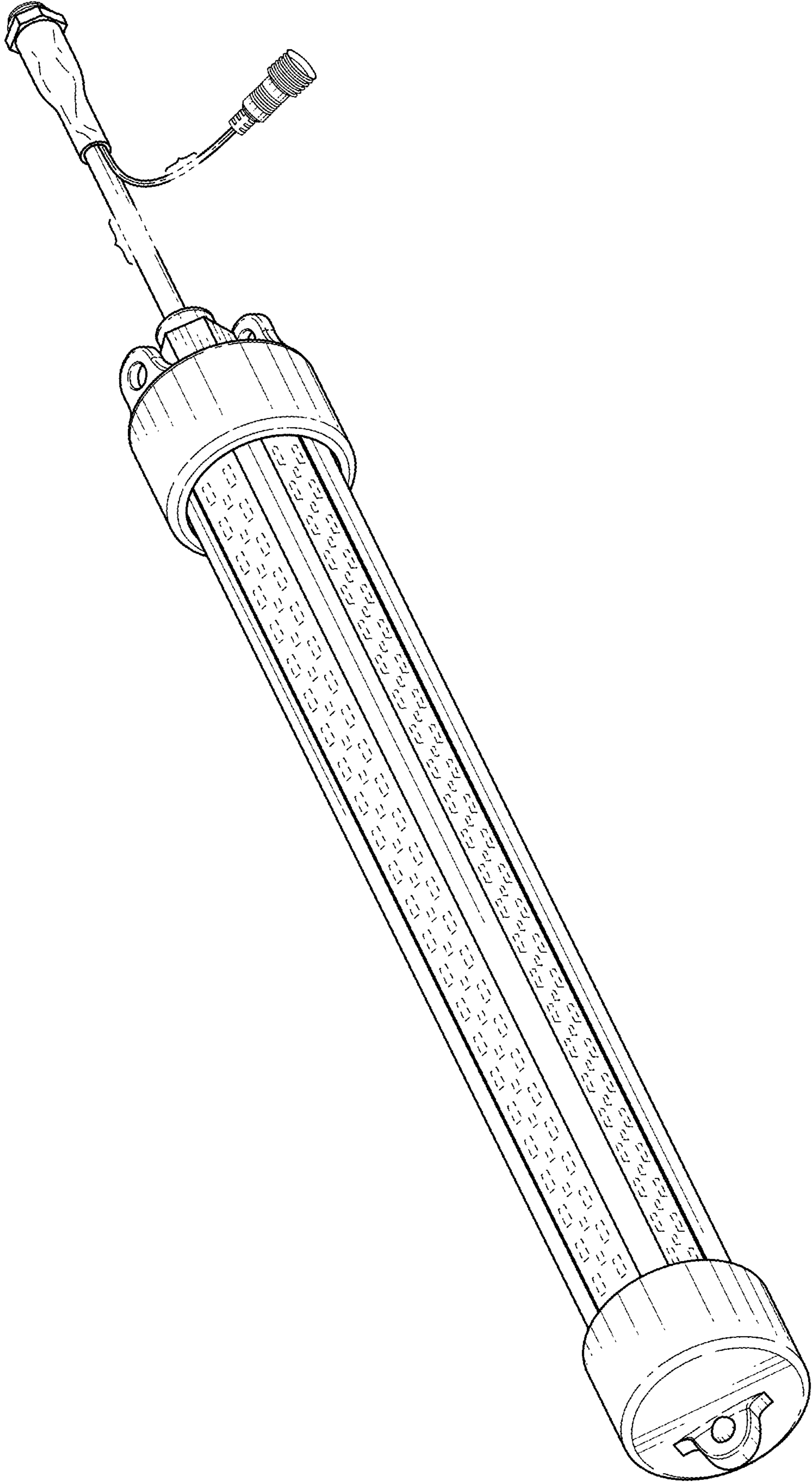


FIG. 22

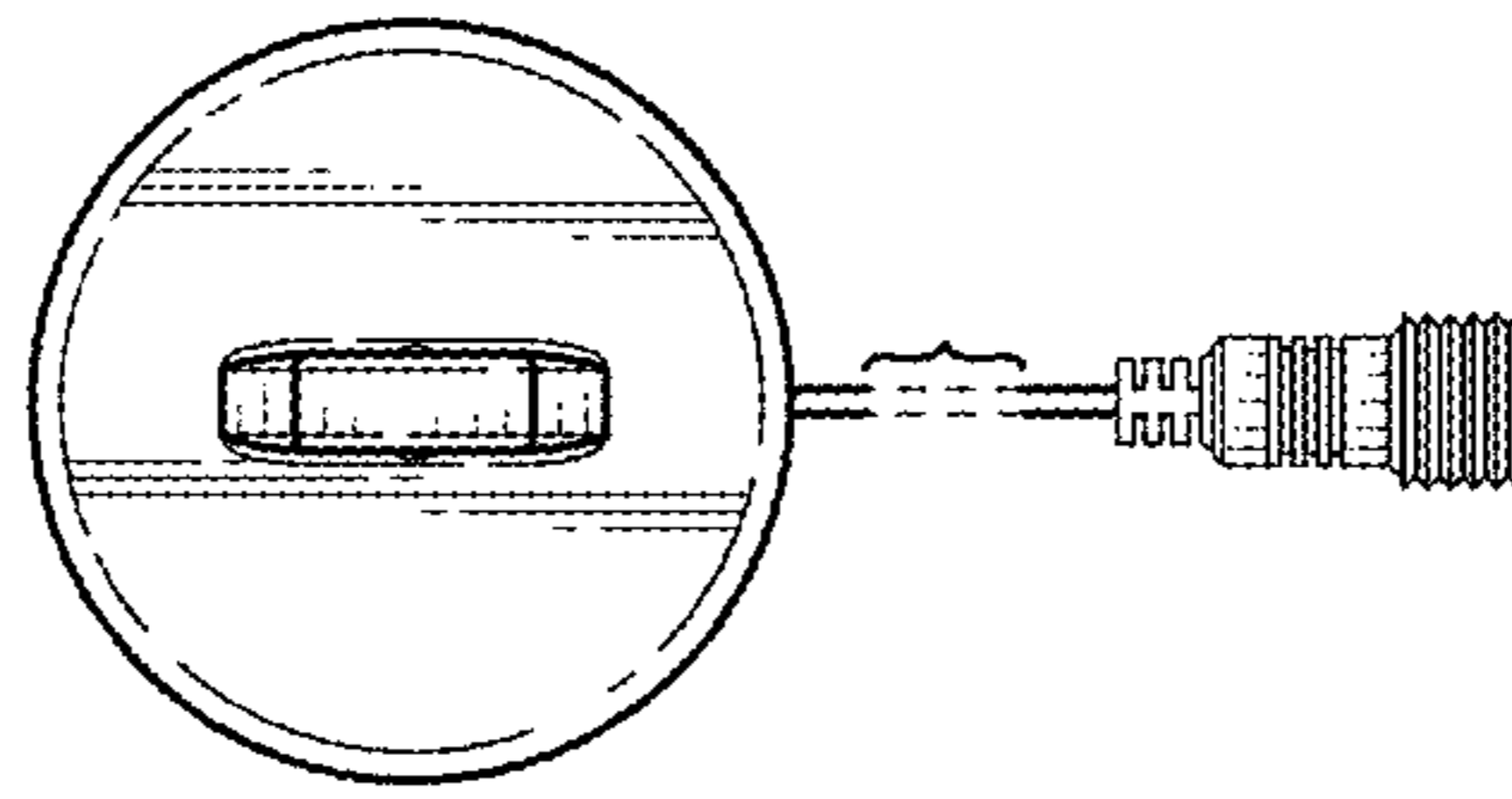


FIG. 23

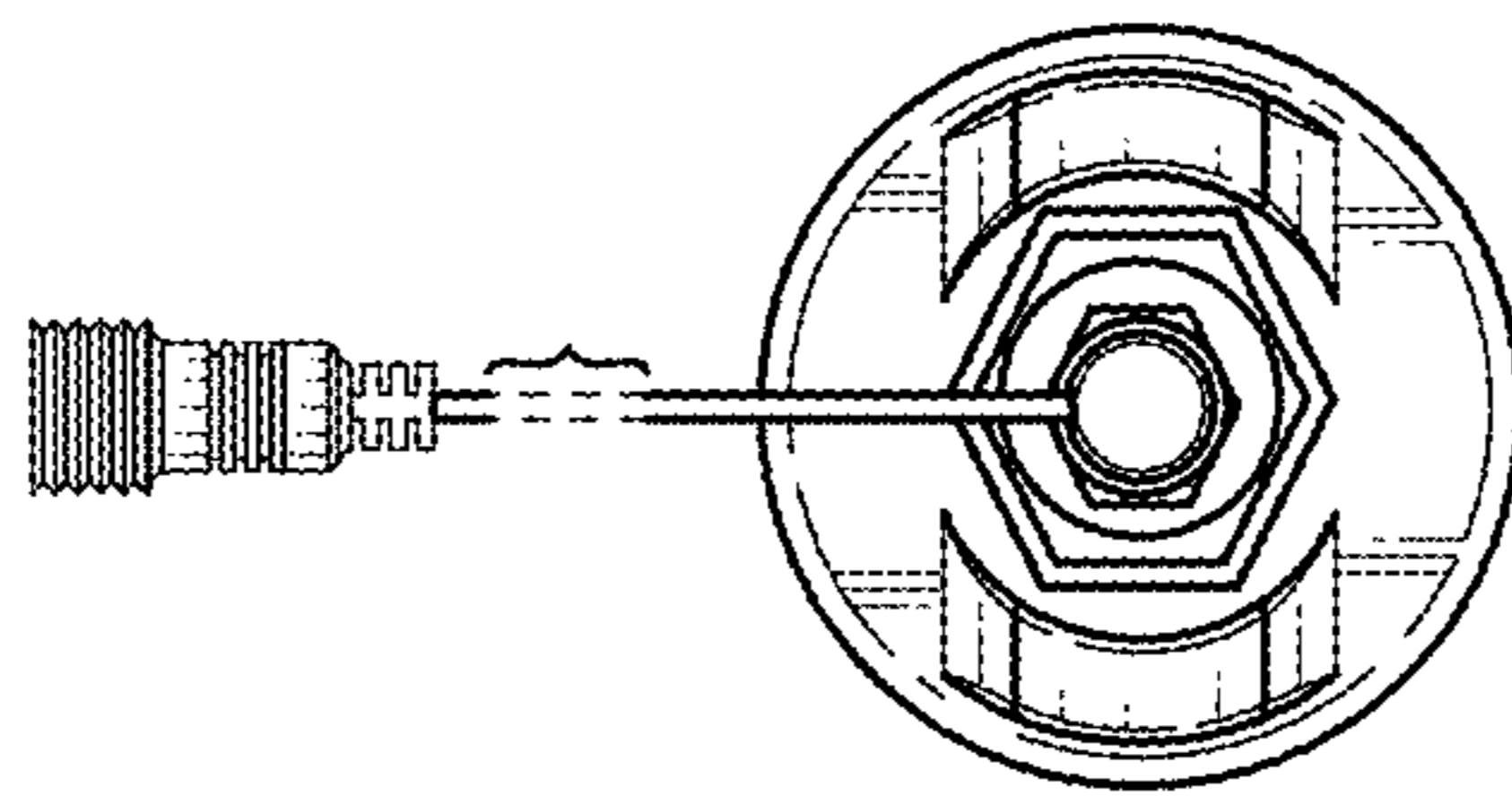


FIG. 24

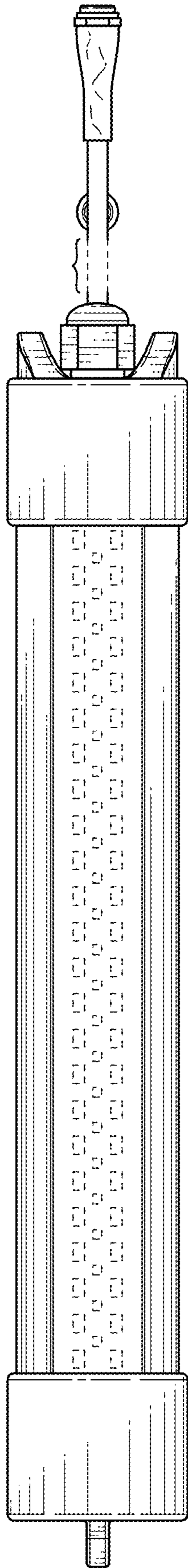


FIG. 25

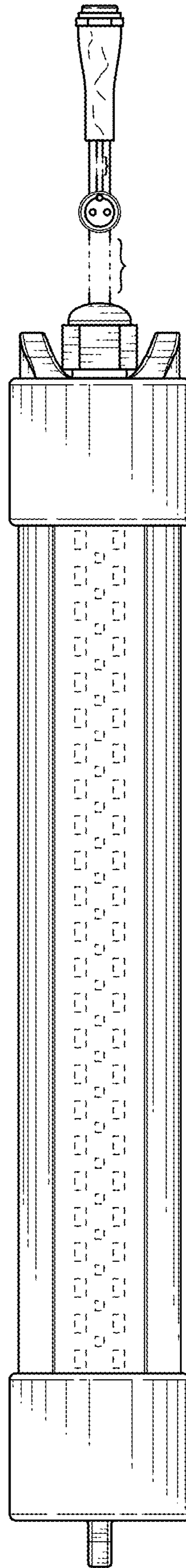


FIG. 26

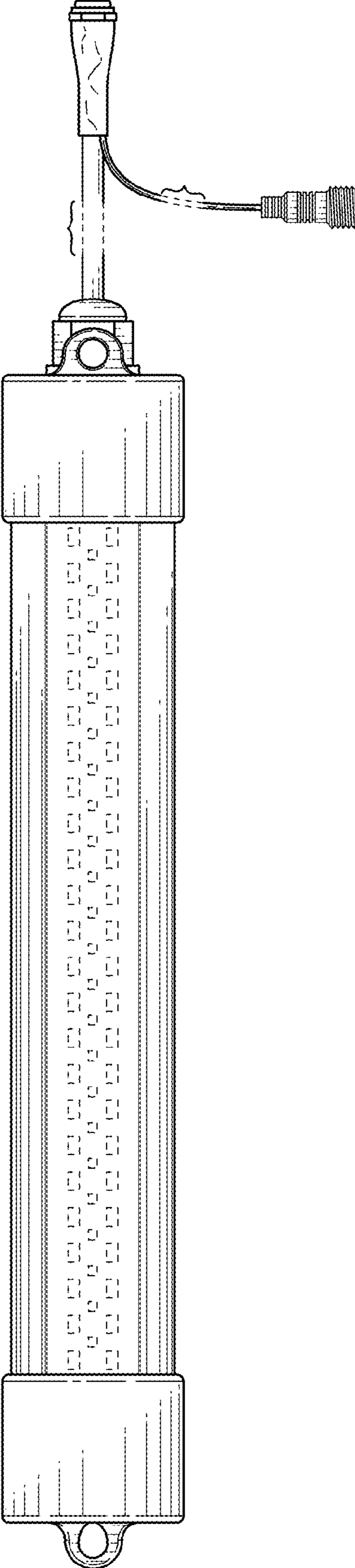


FIG. 27

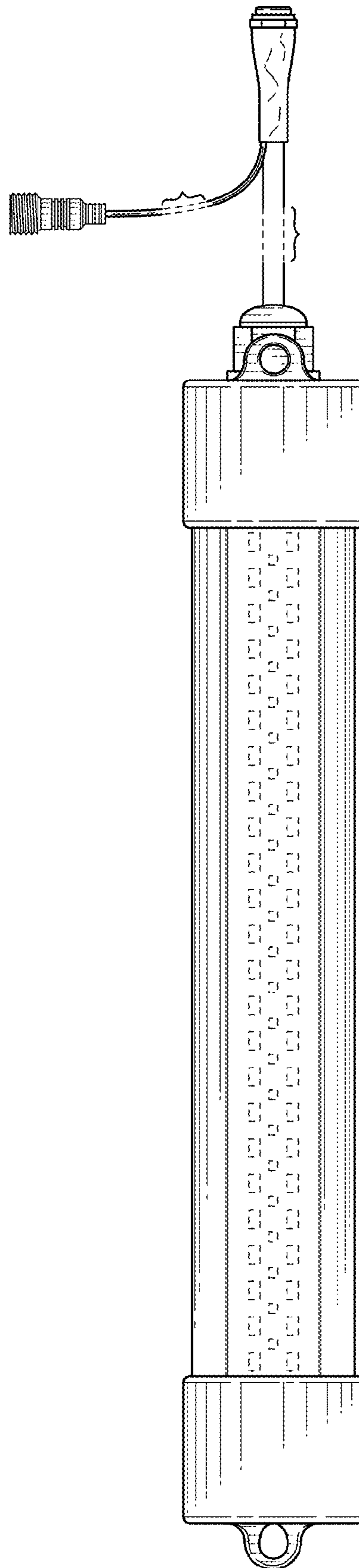


FIG. 28