



US00D898256S

(12) **United States Design Patent** (10) **Patent No.:** **US D898,256 S**
Peng (45) **Date of Patent:** **** Oct. 6, 2020**

(54) **HANDHELD SUPPLEMENTARY LIGHT**

(71) Applicant: **DONGGUAN BIAOSHENG PLASTIC ELECTRONICS CO., LTD.**, Dongguan (CN)

(72) Inventor: **Wenxiu Peng**, Dongguan (CN)

(73) Assignee: **DONGGUAN BIAOSHENG PLASTIC ELECTRONICS CO., LTD.**, Dongguan (CN)

(**) Term: **15 Years**

(21) Appl. No.: **29/736,759**

(22) Filed: **Jun. 2, 2020**

(30) **Foreign Application Priority Data**

Dec. 11, 2019 (CN) 2019 3 0692495

(51) **LOC (12) Cl.** **26-02**

(52) **U.S. Cl.**
USPC **D26/42**

(58) **Field of Classification Search**
USPC D26/37-51
CPC ... F21L 7/00; F21L 11/00; F21L 13/00; F21L 13/04; F21L 13/08; F21L 14/02; F21L 17/00; F21L 19/00; F21L 25/00; F21L 4/00; F21L 4/02; F21L 4/04; F21L 4/08; F21L 4/025; F21L 4/027; F21L 4/005; F21L 2003/00; F21L 2005/00
See application file for complete search history.

(56) **References Cited**

U.S. PATENT DOCUMENTS

D502,276 S * 2/2005 Kovacik D26/44
D509,010 S * 8/2005 Kovacik D26/44
D661,417 S * 6/2012 Kung D26/42
D691,310 S * 10/2013 Zhou D26/37

D694,446 S * 11/2013 Zhou D26/42
D750,825 S * 3/2016 Bryant D26/42
D794,236 S * 8/2017 Kovacik D26/42
D808,555 S * 1/2018 Inskeep D26/41
D816,876 S * 5/2018 Bao D26/37
D881,430 S 4/2020 Mao

* cited by examiner

Primary Examiner — Marcus A Jackson

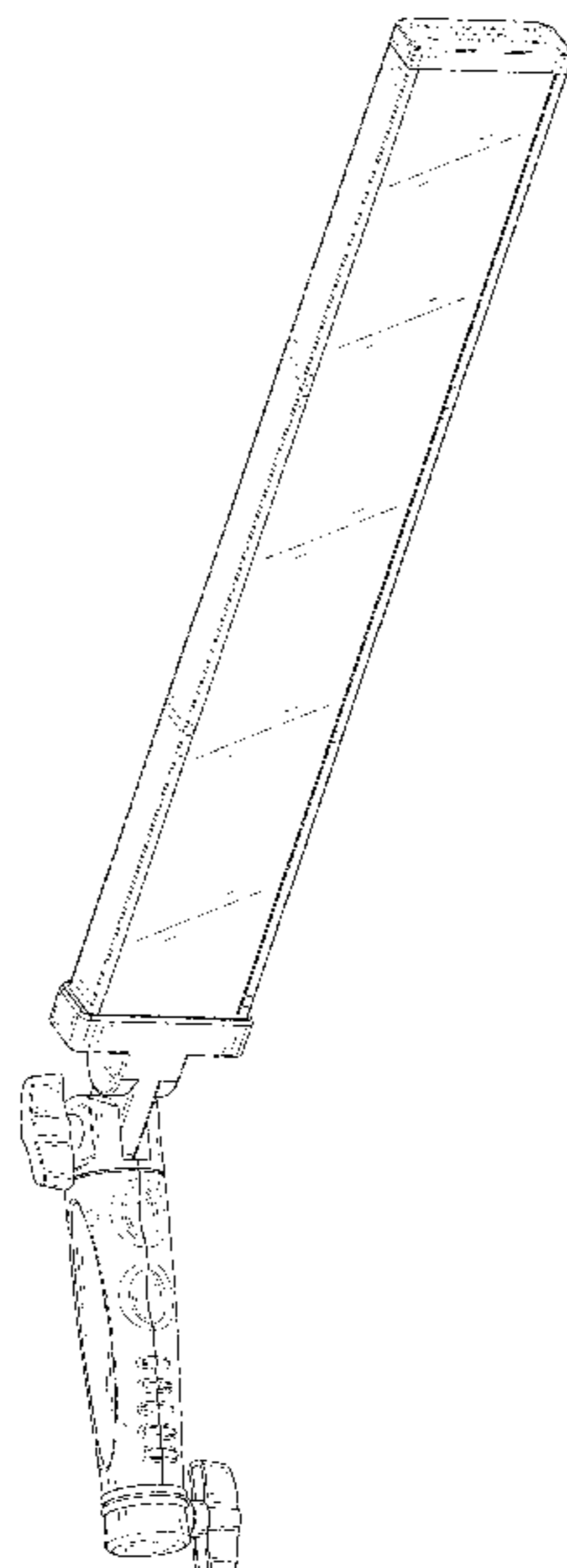
(57) **CLAIM**

The ornamental design for a handheld supplementary light, as shown and described.

DESCRIPTION

FIG. 1 is a perspective view of a handheld supplementary light showing my new design;
FIG. 2 is another perspective view thereof;
FIG. 3 is a front elevational view thereof;
FIG. 4 is a rear elevational view thereof;
FIG. 5 is a left side elevational view thereof;
FIG. 6 is a right side elevational view thereof;
FIG. 7 is a top plan view thereof;
FIG. 8 is a bottom plan view thereof; and,
FIG. 9 is an enlarged view of portion 9 shown in FIG. 2.
The broken lines in the drawings depict portions of the handheld supplementary light that form no part of the claimed design.

1 Claim, 9 Drawing Sheets



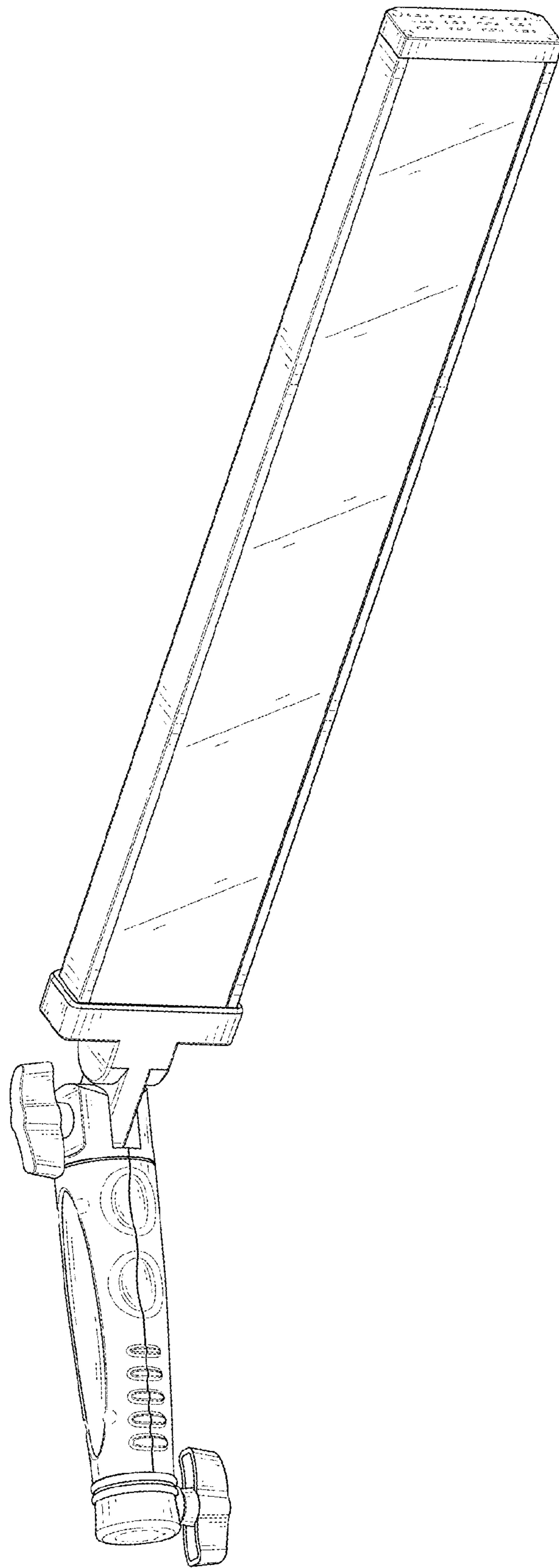


FIG. 1

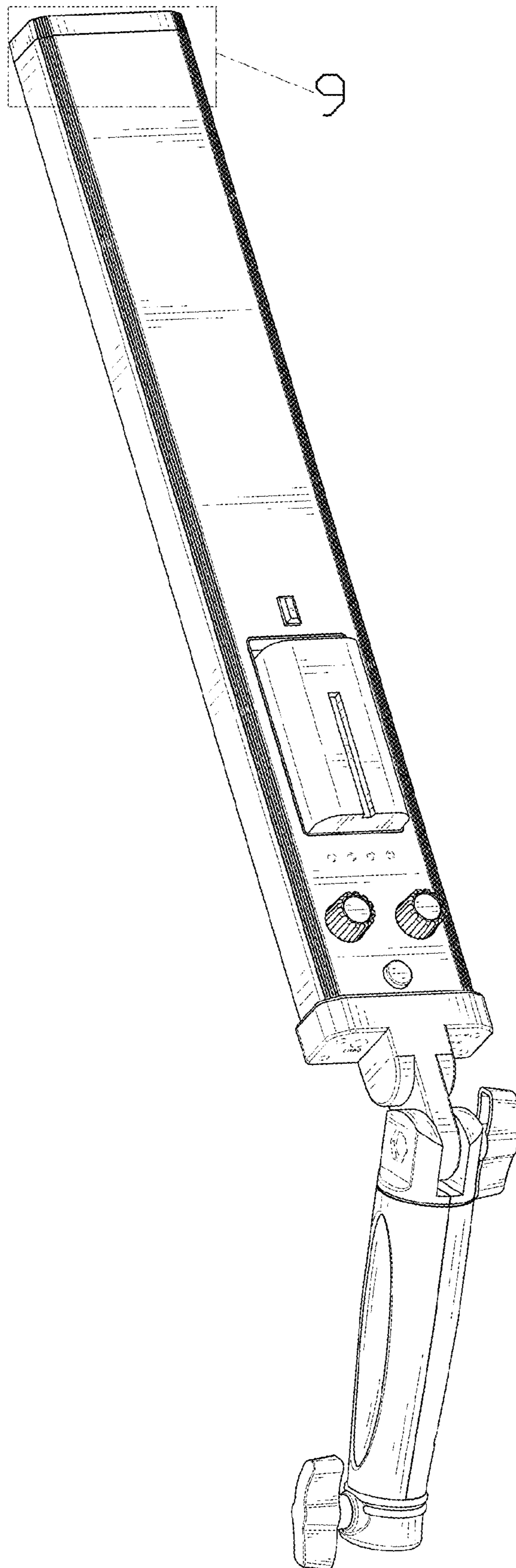


FIG. 2

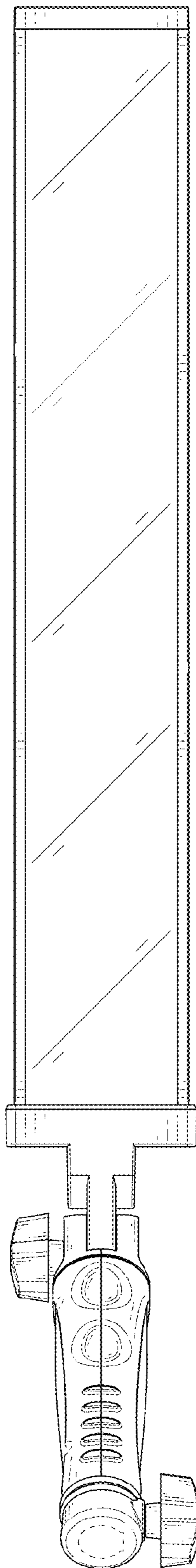


FIG. 3

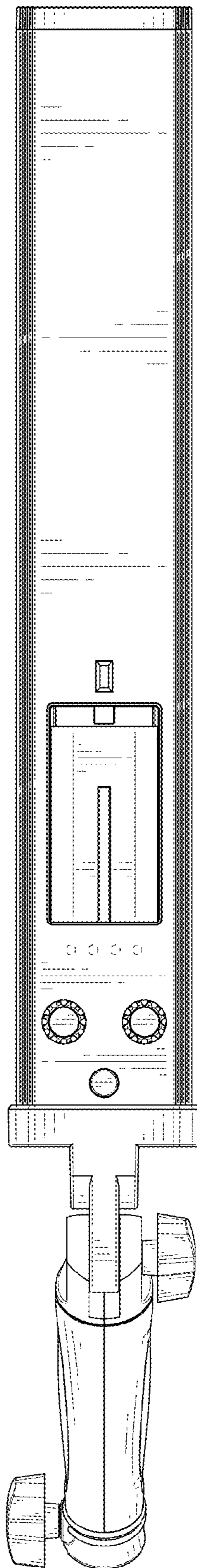


FIG. 4

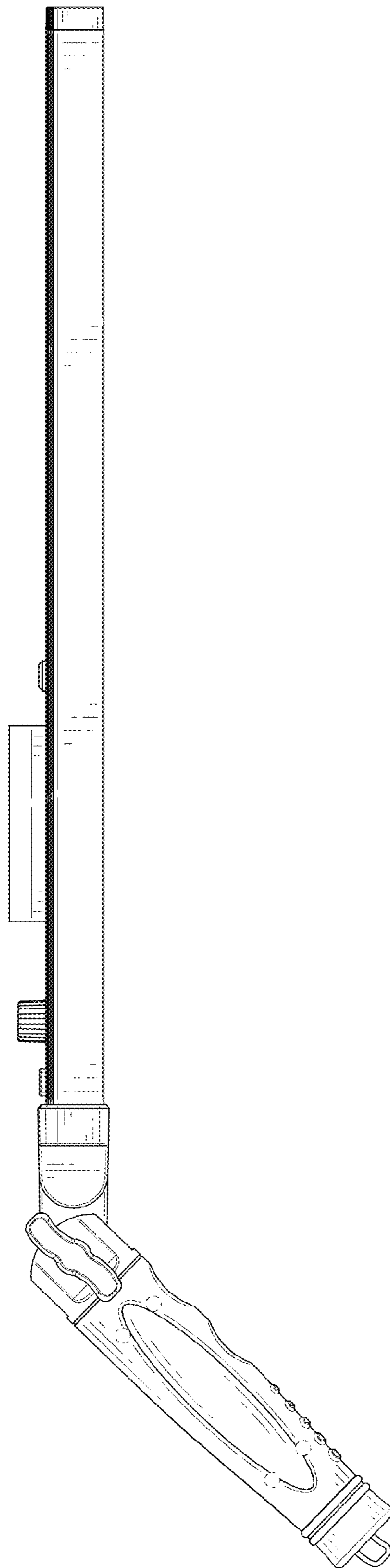


FIG. 5

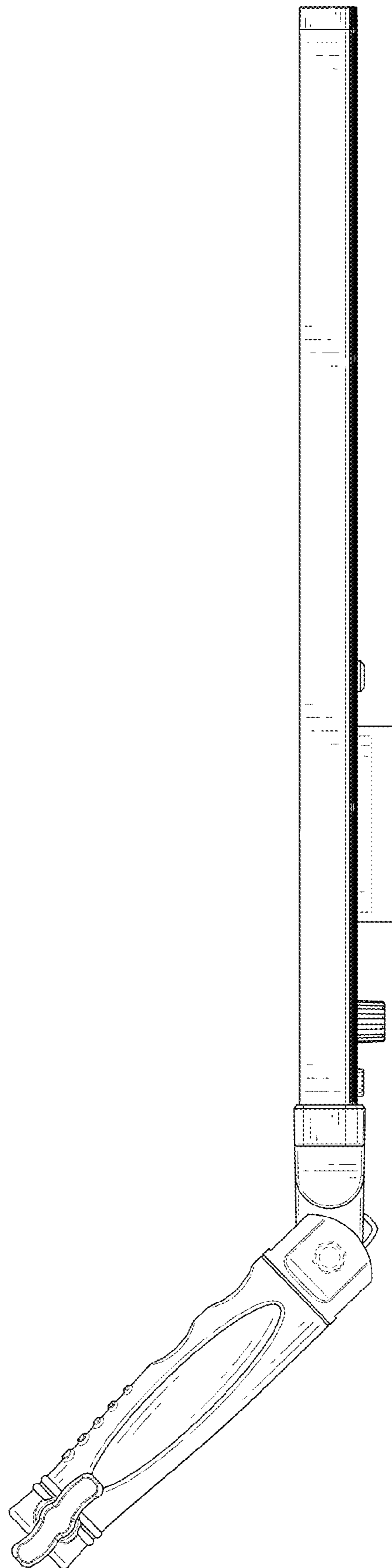


FIG. 6

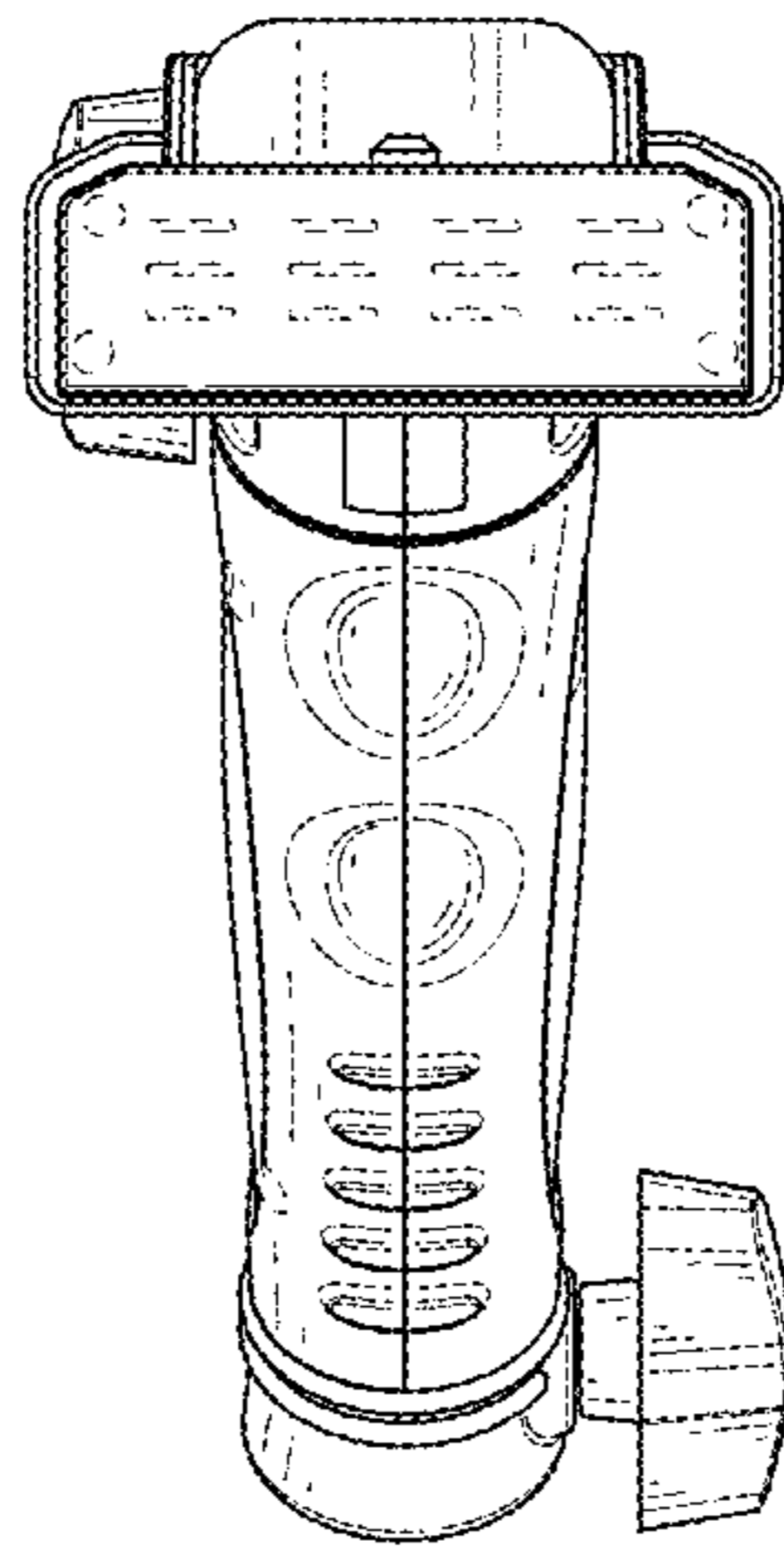


FIG. 7

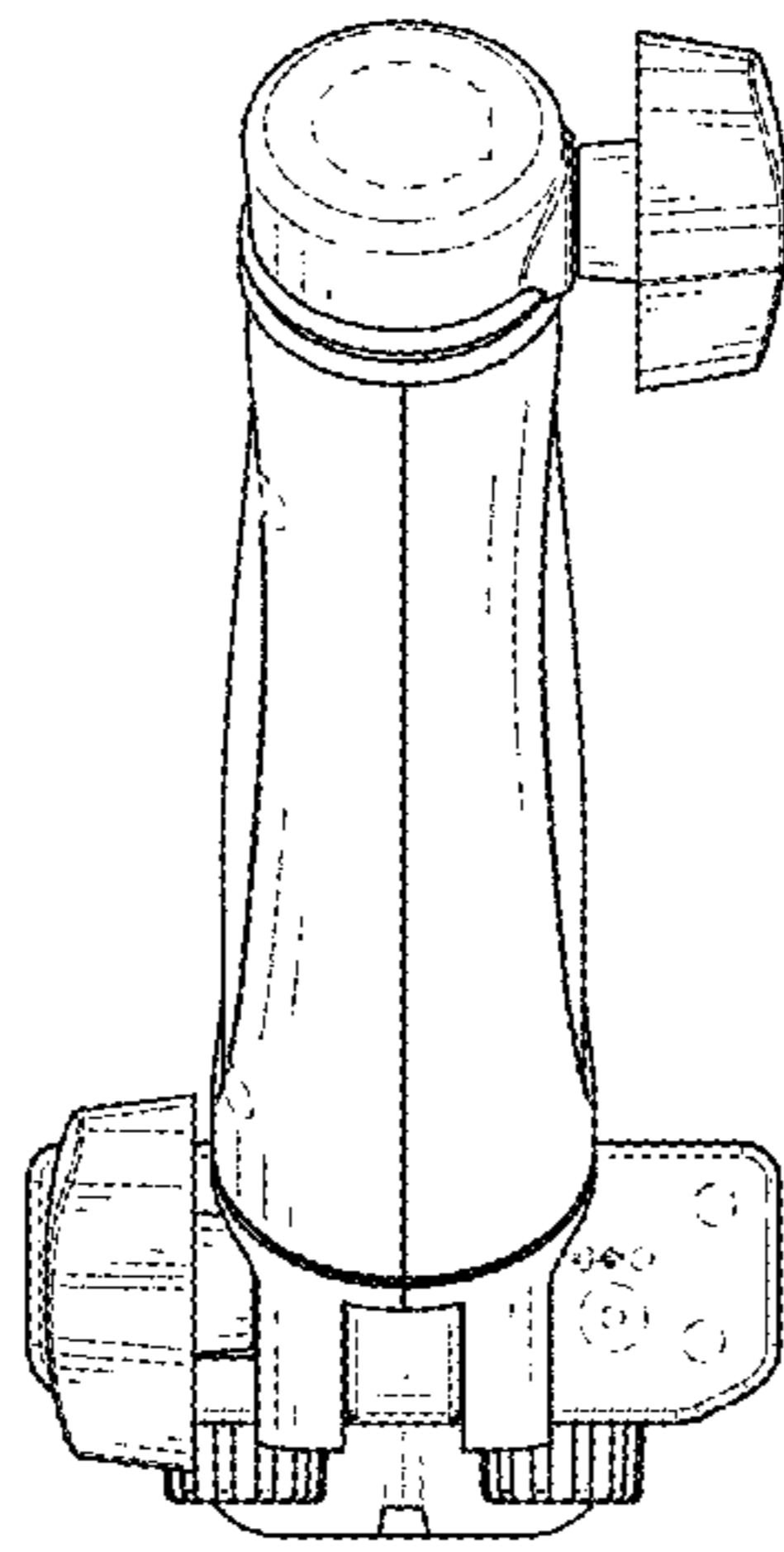


FIG. 8

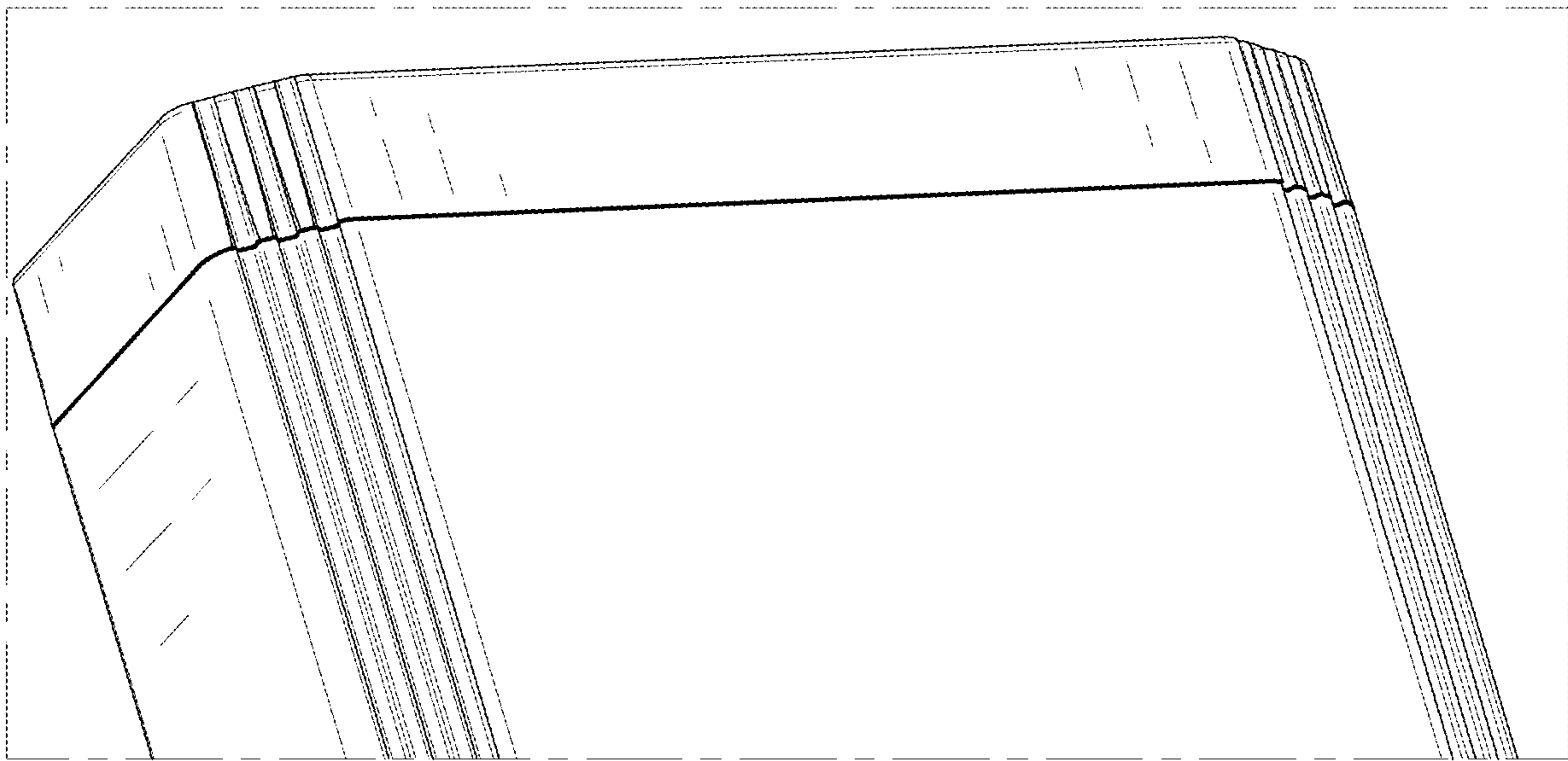


FIG. 9