



US00D898255S

(12) **United States Design Patent** (10) **Patent No.:** **US D898,255 S**
Lien (45) **Date of Patent:** **** Oct. 6, 2020**

(54) **LANTERN**
(71) Applicant: **Black & Decker Inc.**, New Britain, CT (US)
(72) Inventor: **Liu Chao Lien**, Taichung (TW)
(73) Assignee: **BLACK & DECKER INC.**, New Britain, CT (US)

D650,104 S *	12/2011	Brands	D26/41
D695,434 S *	12/2013	Shen	D26/41
D706,968 S *	6/2014	McDonough	D26/41
D707,378 S *	6/2014	Shiu	D26/41
D729,428 S *	5/2015	Shen	D26/41
D748,836 S *	2/2016	Zhang	D26/40
D759,869 S *	6/2016	Huang	D26/41
D803,443 S *	11/2017	Burke	D26/40
D823,506 S *	7/2018	Shiu	D26/40
D844,202 S *	3/2019	Bennett	D26/41

(**) Term: **15 Years**

* cited by examiner

(21) Appl. No.: **29/629,800**

Primary Examiner — Lakiya G Rogers

Assistant Examiner — Carissa C Fitts

(22) Filed: **Dec. 15, 2017**

(74) *Attorney, Agent, or Firm* — Adan Ayala

(51) **LOC (12) Cl.** **26-02**

(57) **CLAIM**

(52) **U.S. Cl.**
USPC **D26/41**

The ornamental design for a lantern, as shown and described.

(58) **Field of Classification Search**
USPC D26/37-51
CPC F21L 2003/00; F21L 4/00; F21L 4/005;
F21L 4/02; F21L 4/025; F21L 4/027;
F21L 4/04; F21L 4/08; F21L 2005/00;
F21L 7/00; F21L 11/00; F21L 13/00;
F21L 13/04; F21L 13/08; F21L 14/02;
F21L 17/00; F21L 19/00; F21L 25/00
See application file for complete search history.

DESCRIPTION

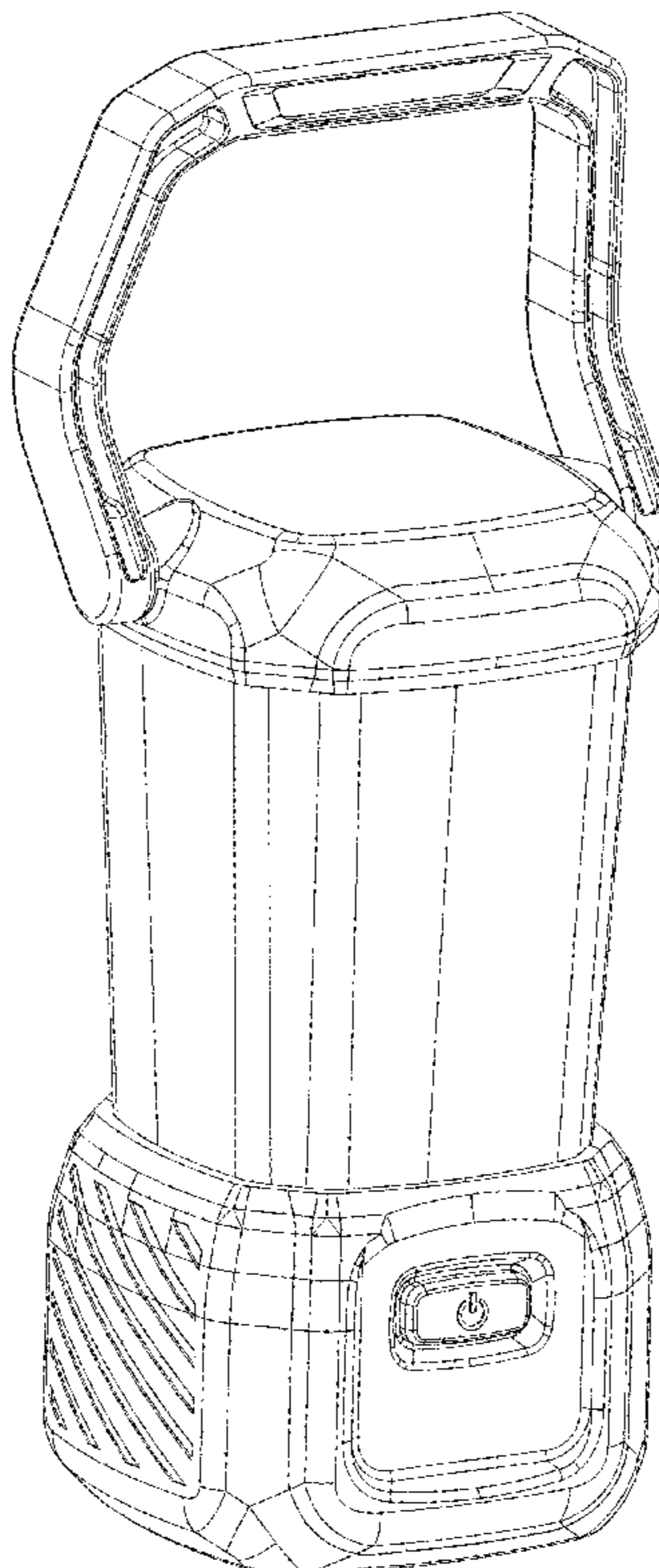
(56) **References Cited**

U.S. PATENT DOCUMENTS

D541,961 S *	5/2007	Tarter	D26/40
D542,953 S *	5/2007	Lee	D26/40
D638,152 S *	5/2011	Leung	D26/40

FIG. 1 is a front perspective view of a lantern according to the invention.
FIG. 2 is a front view of the lantern of FIG. 1.
FIG. 3 is a rear view of the lantern of FIG. 1.
FIG. 4 is a right side view of the lantern of FIG. 1.
FIG. 5 is a left side view of the lantern of FIG. 1.
FIG. 6 is an enlarged top plan view of the lantern of FIG. 1; and,
FIG. 7 is an enlarged bottom plan view of the lantern of FIG. 1.
The broken lines show portions of the lantern which form no part of the claimed design.

1 Claim, 7 Drawing Sheets



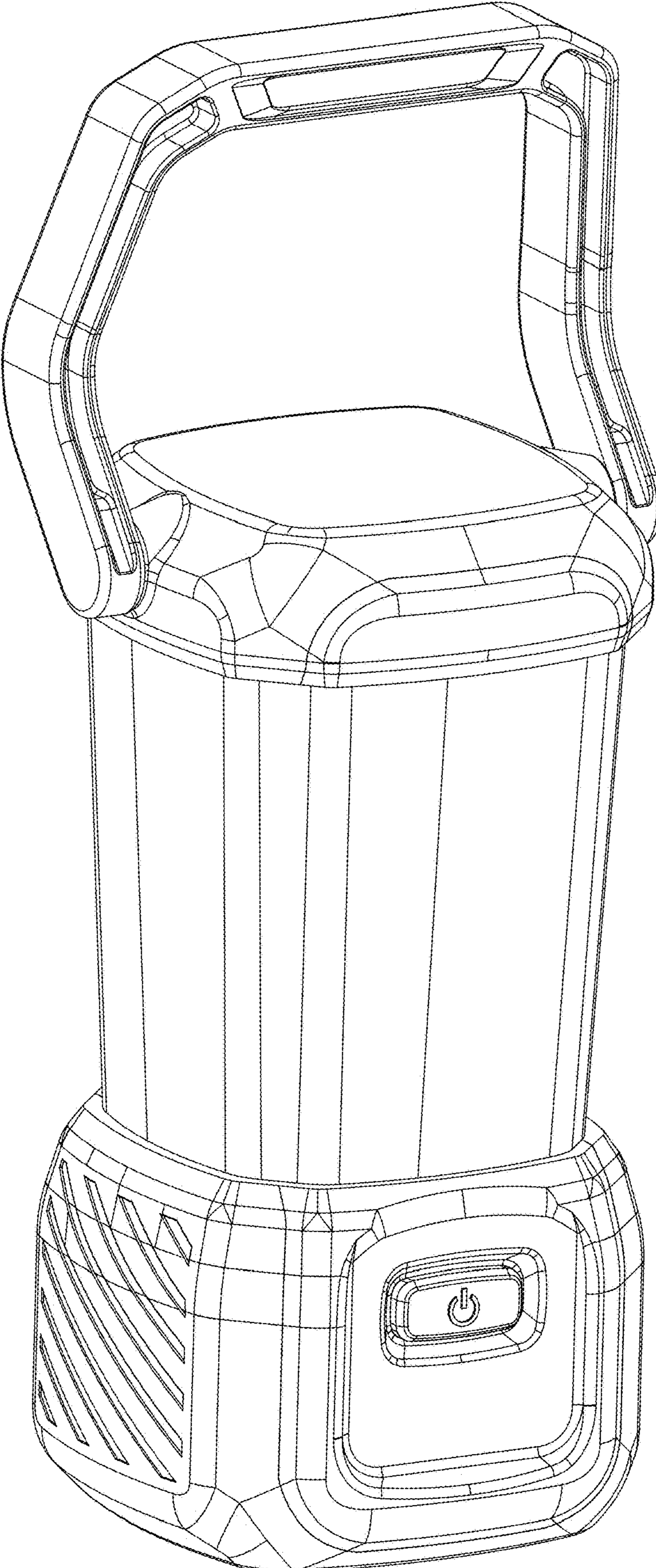


FIG. 1

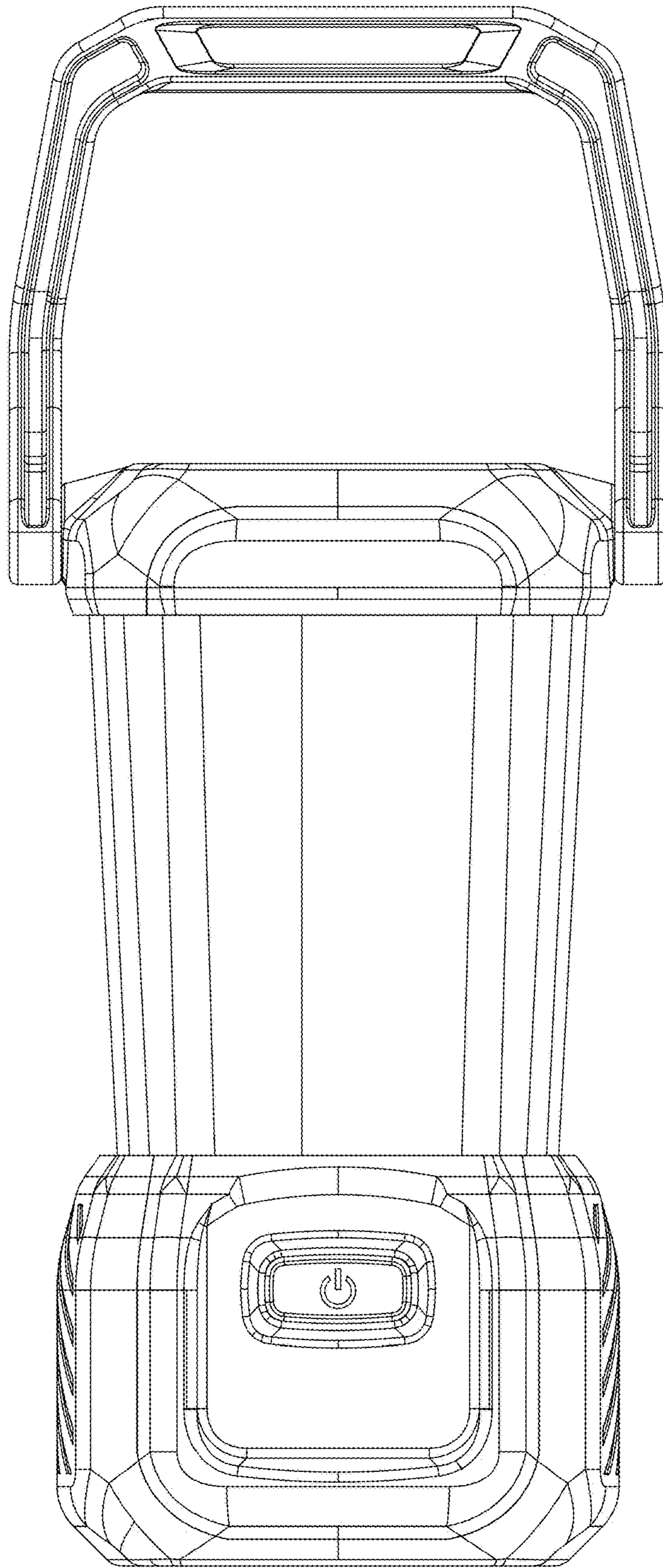


FIG. 2

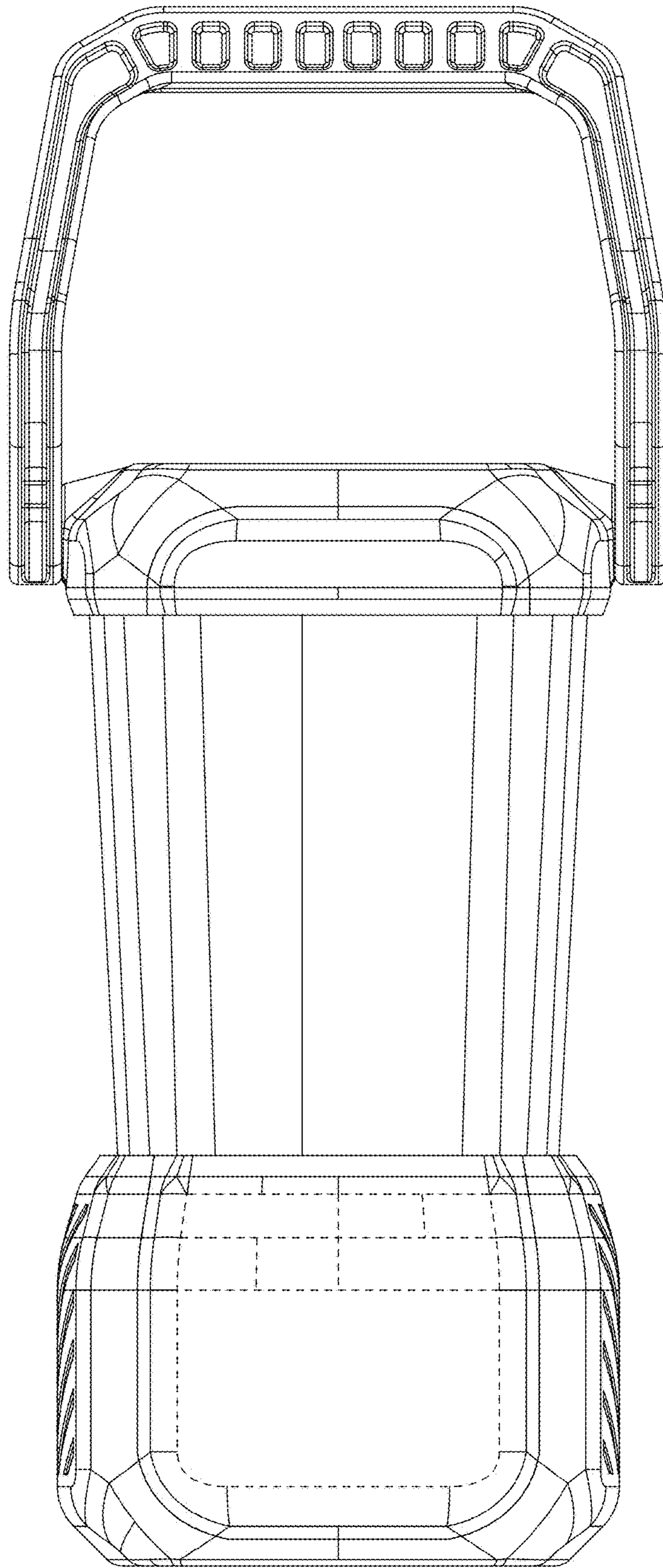


FIG. 3

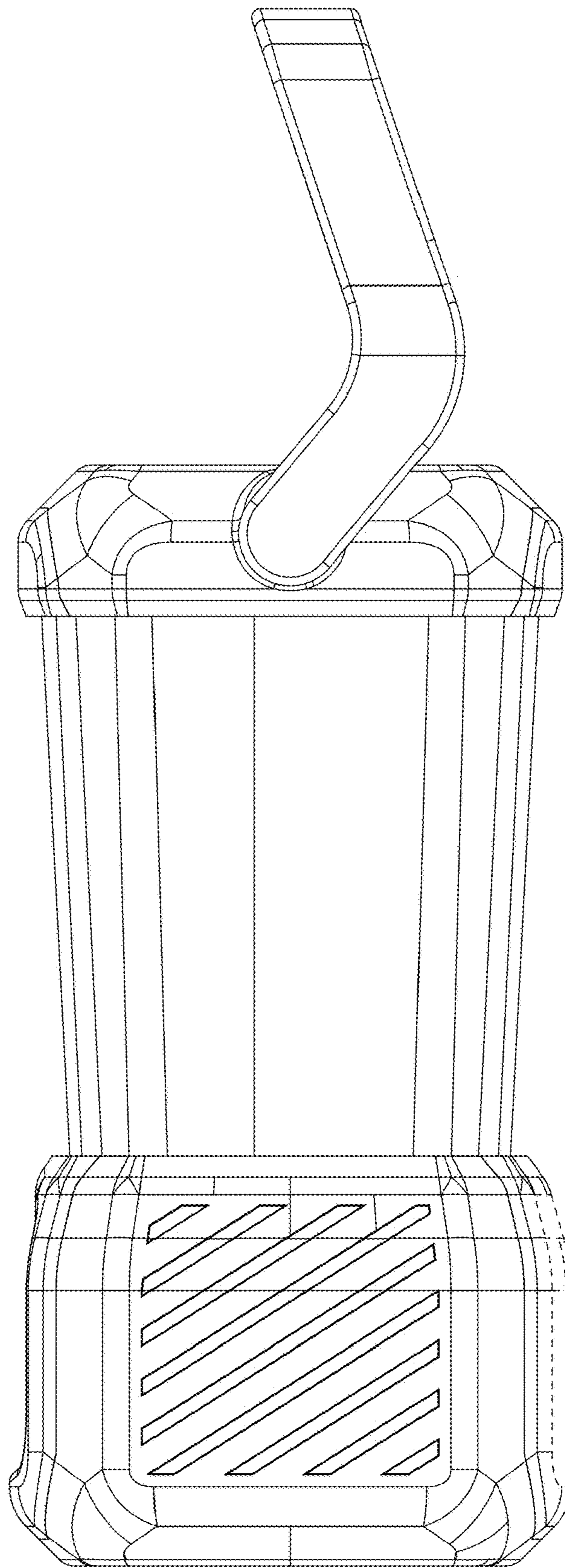


FIG. 4

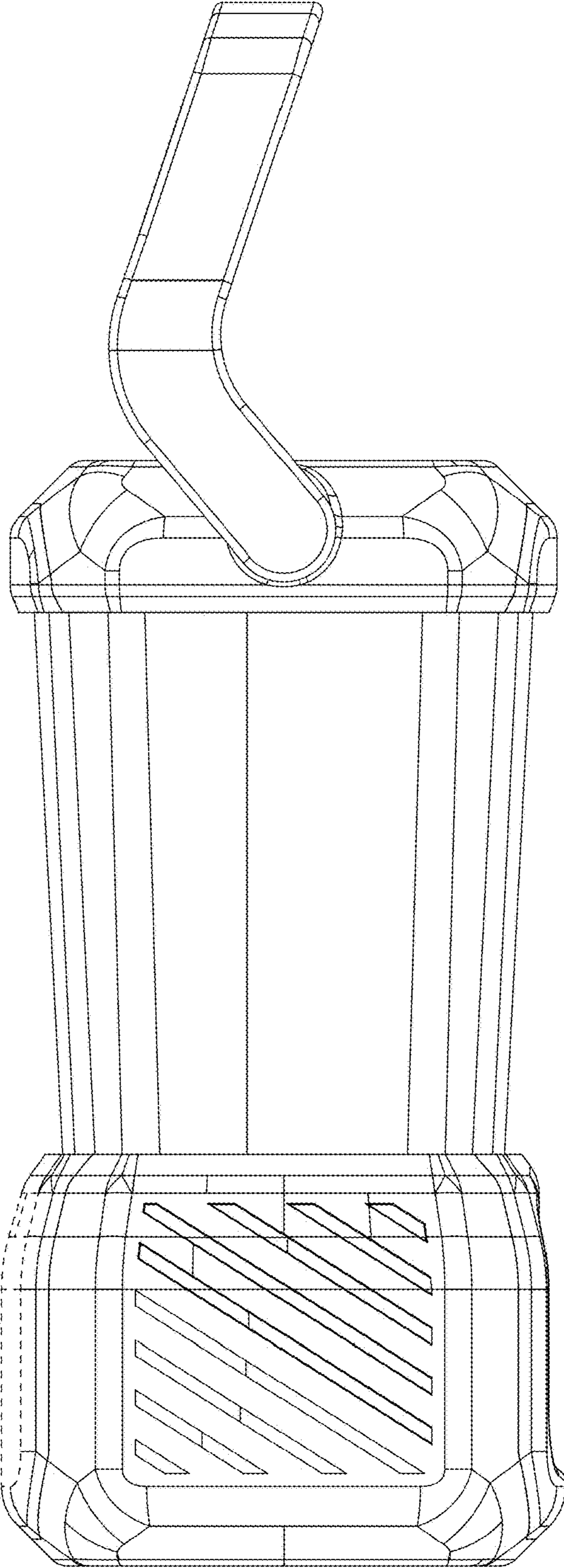


FIG. 5

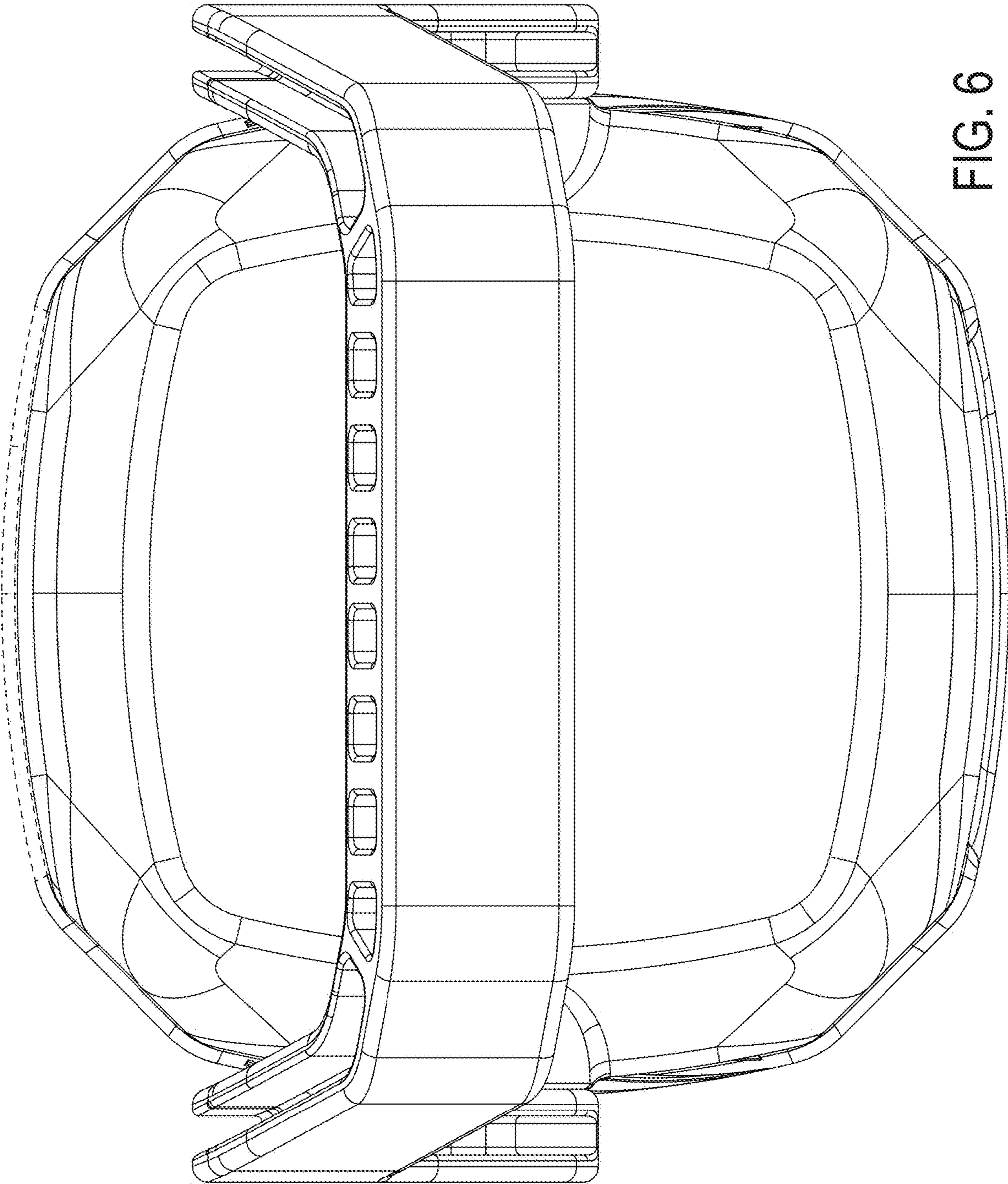


FIG. 6

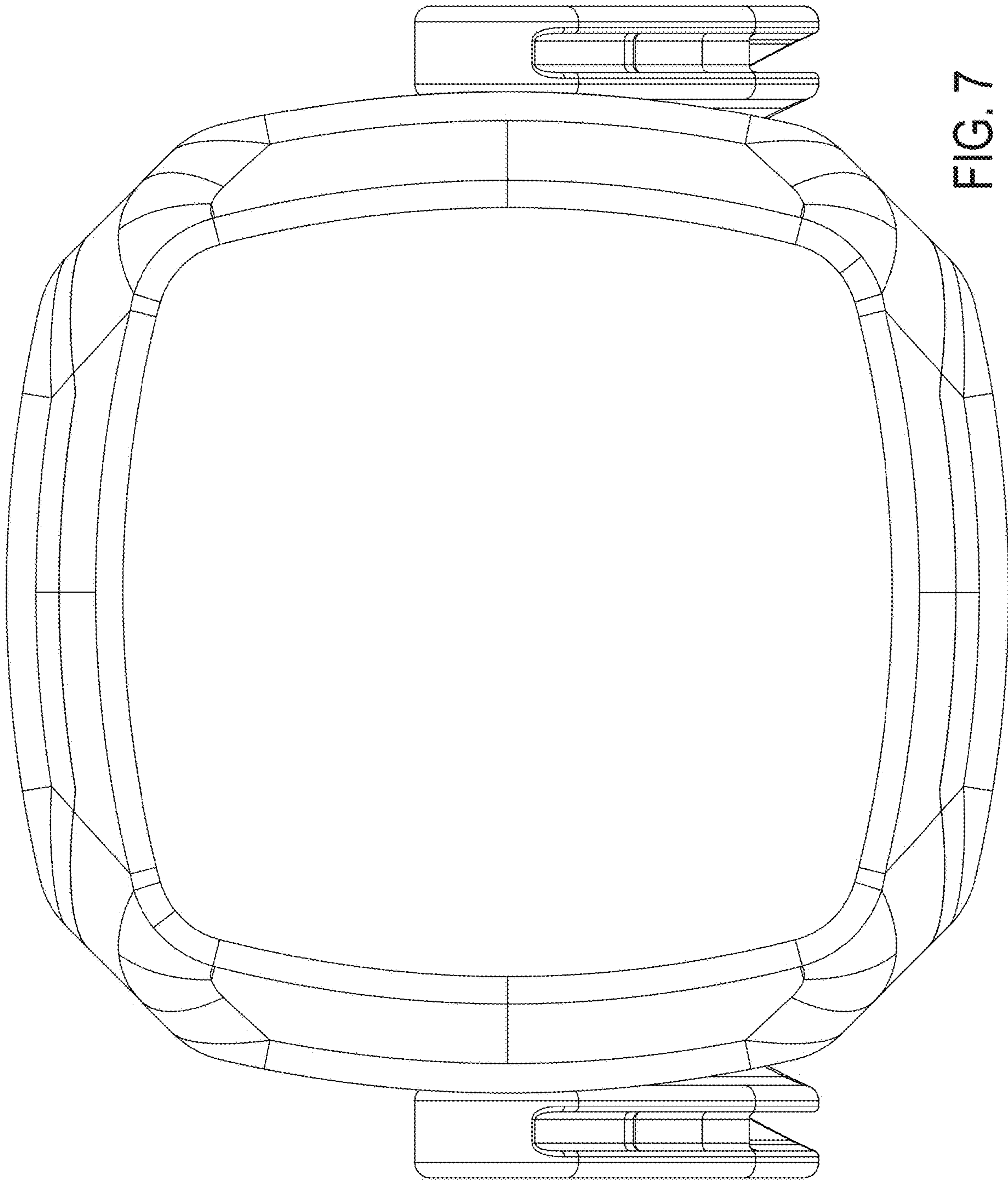


FIG. 7