



US00D898252S

(12) **United States Design Patent**
Kuehne et al.

(10) **Patent No.:** **US D898,252 S**

(45) **Date of Patent:** **** Oct. 6, 2020**

(54) **VEHICLE REAR LIGHTING UNIT**

D506,845 S * 6/2005 Wernimont D26/31
D507,838 S * 7/2005 Wernimont D26/31
D517,229 S * 3/2006 Wernimont D26/31

(71) Applicant: **Harley-Davidson Motor Company Group, LLC, Milwaukee, WI (US)**

OTHER PUBLICATIONS

(72) Inventors: **Tyler Kuehne, Milwaukee, WI (US); Michael Decaluwe, Jackson, WI (US); Casey Ketterhagen, Hartland, WI (US); Anthony N. Pink, Hartford, WI (US); Ben McGinley, Glendale, WI (US)**

Harley Davidson, "CES 2019:Harley-Davidson New Concepts and Livewire Motorcycle", Webpage: <https://www.totalmotorcycle.com/ces-2019-harley-davidson-electrifies-the-future-with-new-concepts-and-livewire-motorcycle/>, May 9, 2019.

Harley Davidson, "Electric Motorcycles Harley Davidson USA", Webpage: <https://www.harley-davidson.com/us/en/motorcycles/future-vehicles/electric.html>, May 9, 2019.

(73) Assignee: **Harley-Davidson Motor Company Group, LLC, Milwaukee, WI (US)**

* cited by examiner

(**) Term: **15 Years**

Primary Examiner — Marcus A Jackson

(74) *Attorney, Agent, or Firm* — Michael Best & Friedrich LLP

(21) Appl. No.: **29/691,356**

(22) Filed: **May 15, 2019**

(51) **LOC (12) Cl.** **26-06**

(52) **U.S. Cl.** **D26/31**
USPC

(58) **Field of Classification Search**
USPC D26/28-36, 139
CPC F21S 48/00; F21S 48/10; F21S 48/115;
F21S 48/225; F21S 48/1233; F21S 48/1266; F21S 48/1388; F21S 48/2268;
F21V 21/04; F21V 29/004; B60Q 9/13; B60Q 9/135; B60Q 9/1375
See application file for complete search history.

(56) **References Cited**

U.S. PATENT DOCUMENTS

D487,523 S * 3/2004 Hammer D26/31
D498,012 S * 11/2004 Ballentine D26/28

(57) **CLAIM**

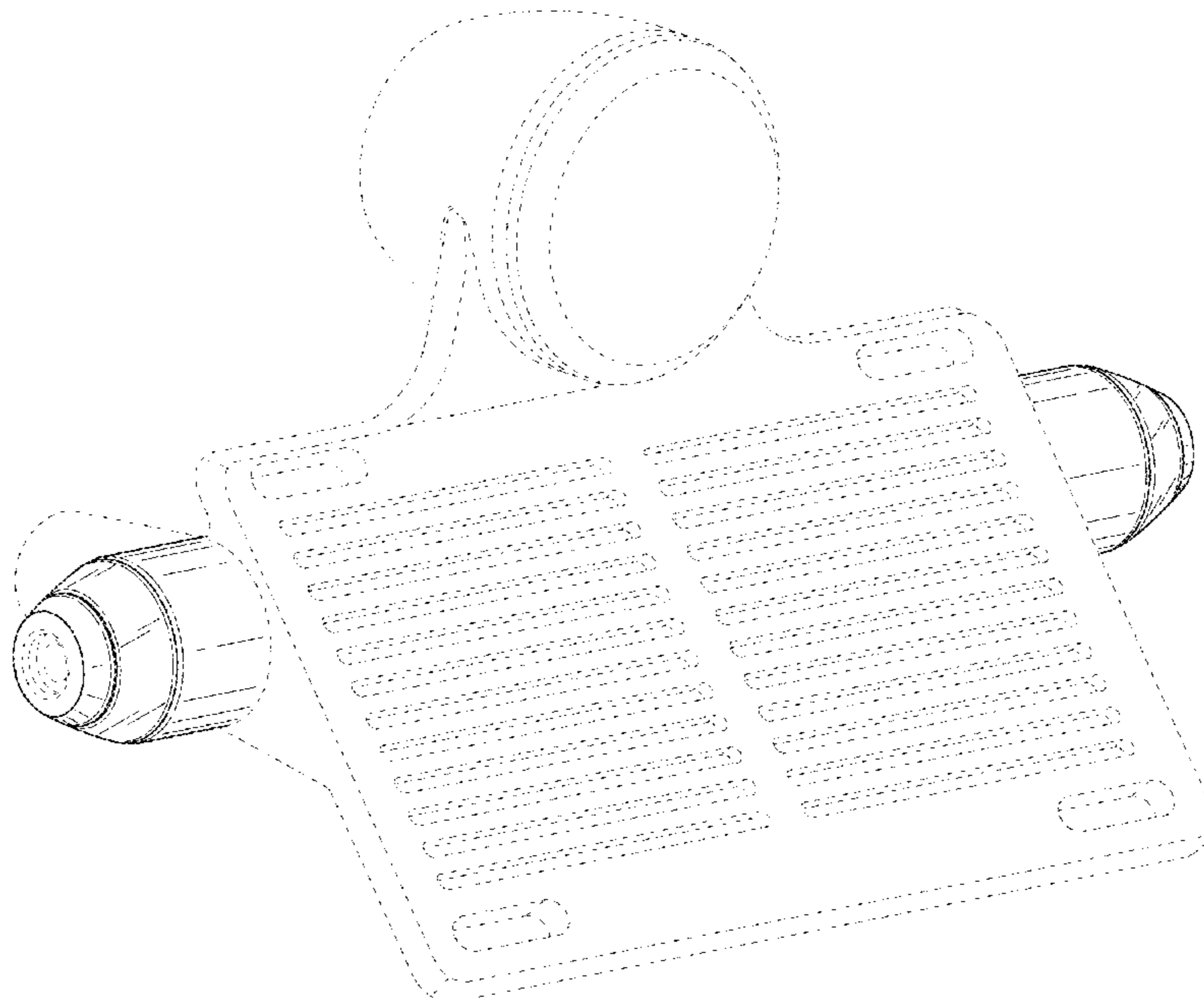
We claim the ornamental design for a vehicle rear lighting unit, as shown and described.

DESCRIPTION

FIG. 1 is a rear perspective view of a vehicle rear lighting unit;
FIG. 2 is a left side view thereof;
FIG. 3 is a right side view thereof;
FIG. 4 is a rear view thereof;
FIG. 5 is a front view thereof;
FIG. 6 is a top view thereof;
FIG. 7 is a bottom view thereof; and,
FIG. 8 is a perspective view of the vehicle rear lighting unit on a vehicle.

The broken lines are included for the purpose of showing environment and portions of the vehicle rear lighting unit that form no part of the claimed design.

1 Claim, 7 Drawing Sheets



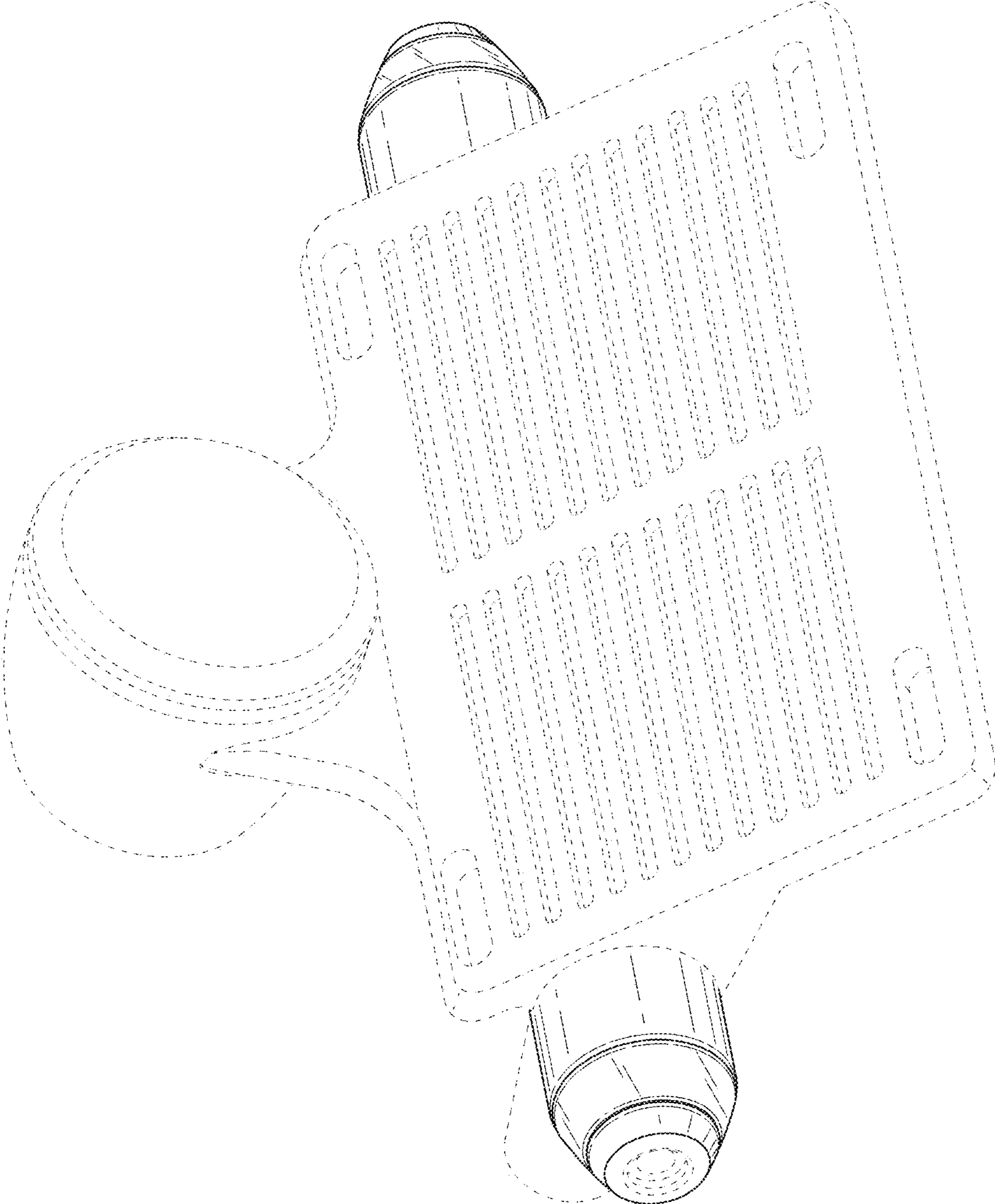


FIG. 1

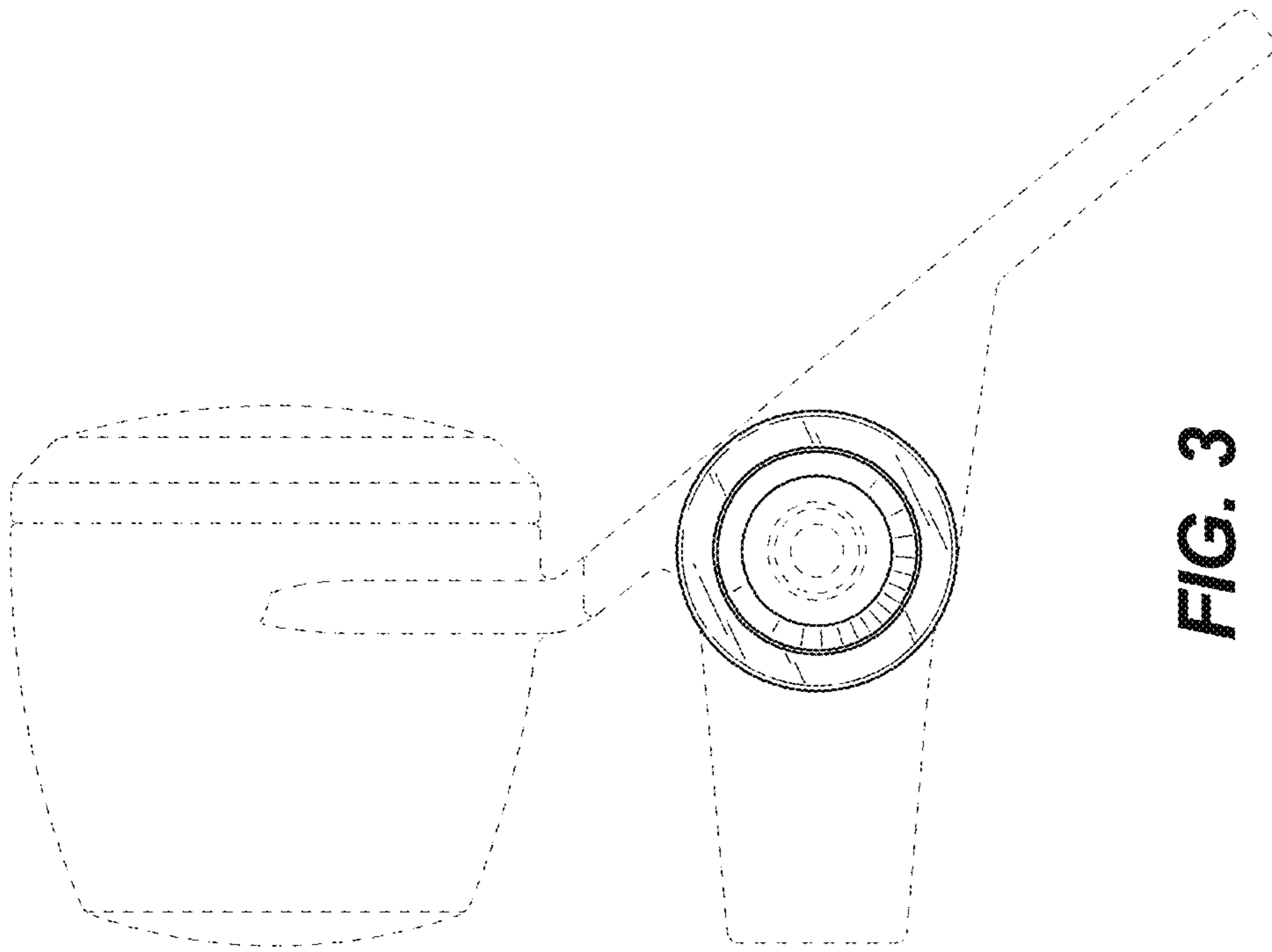


FIG. 2

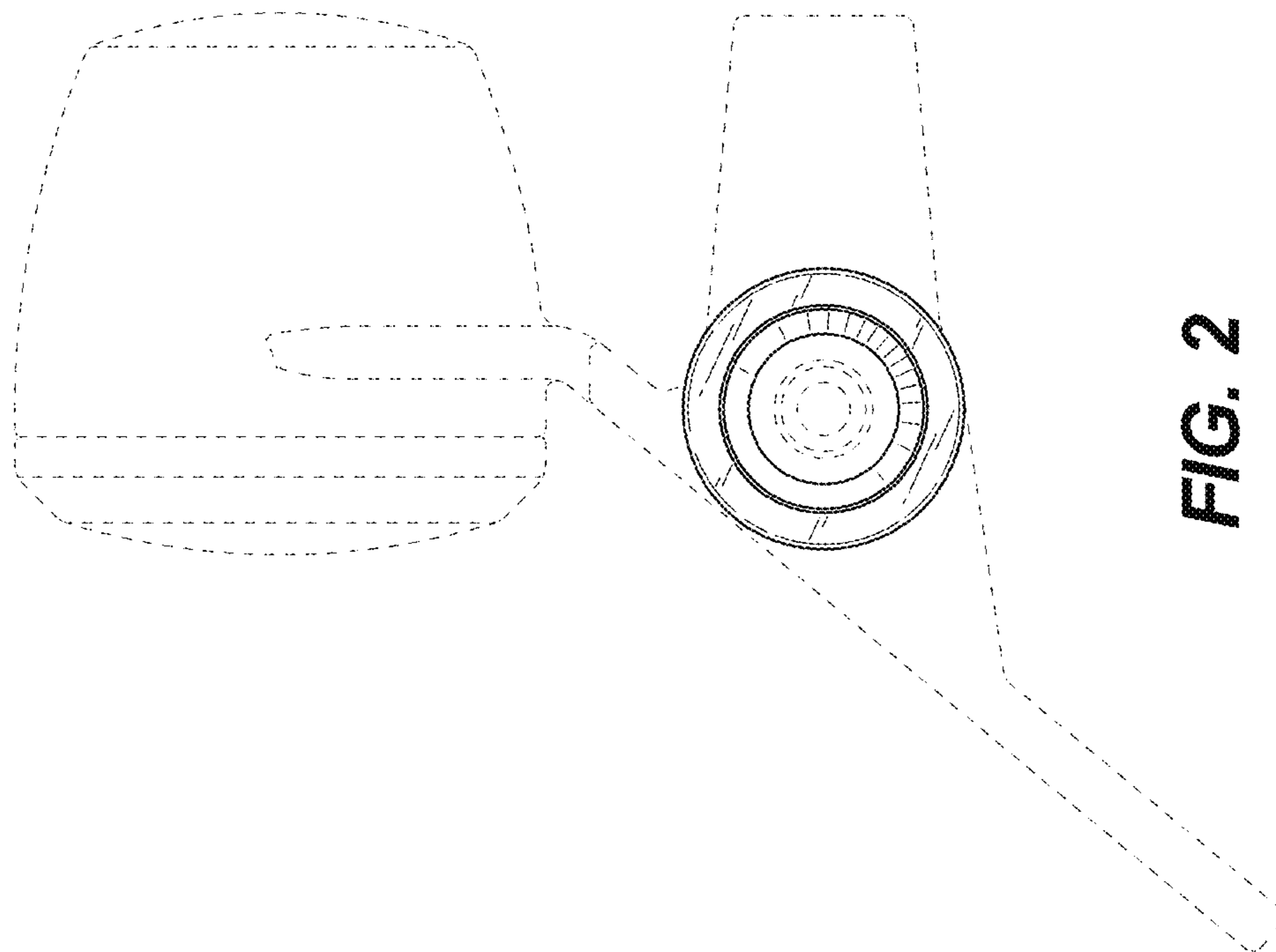


FIG. 3

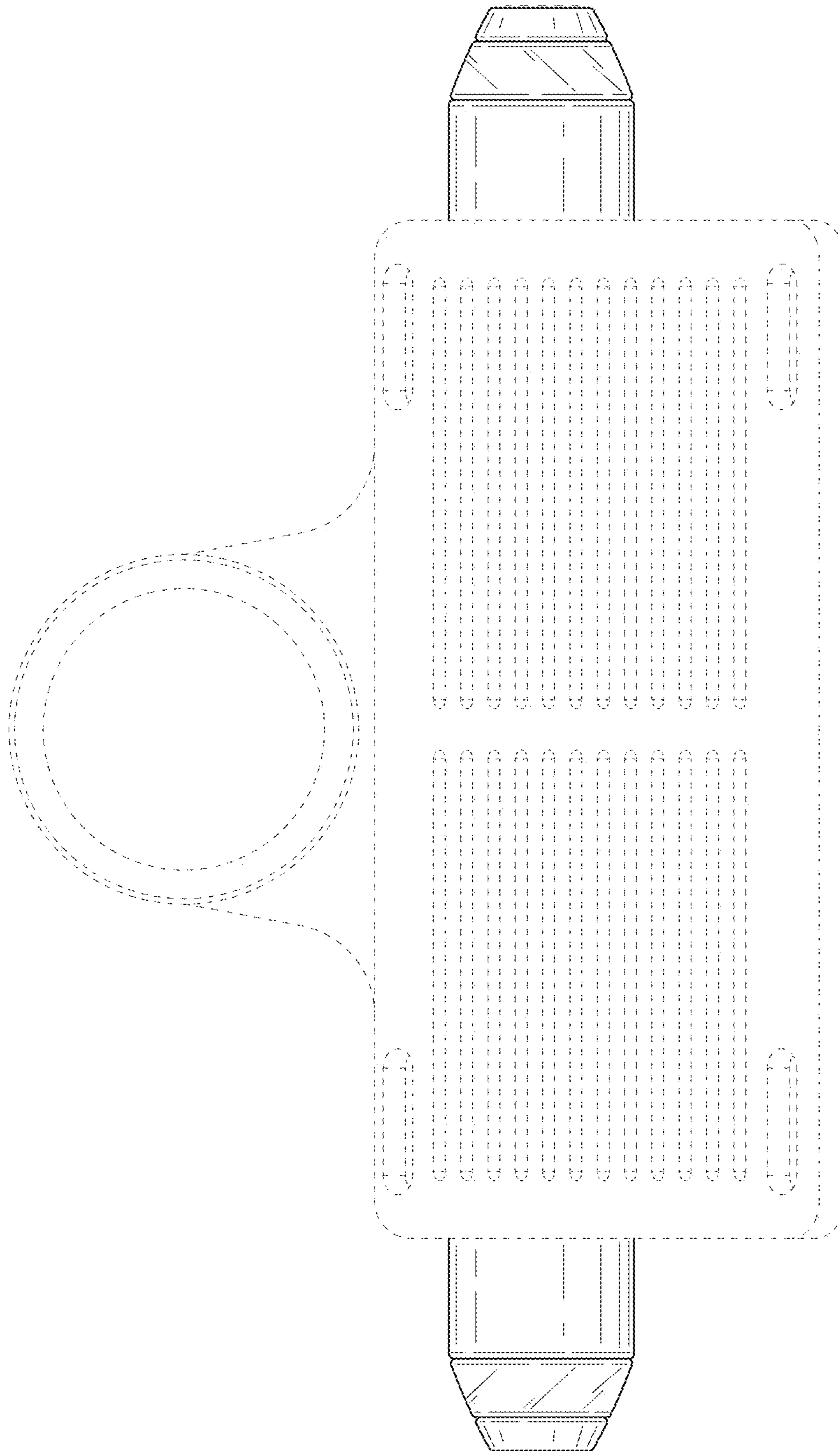


FIG. 4

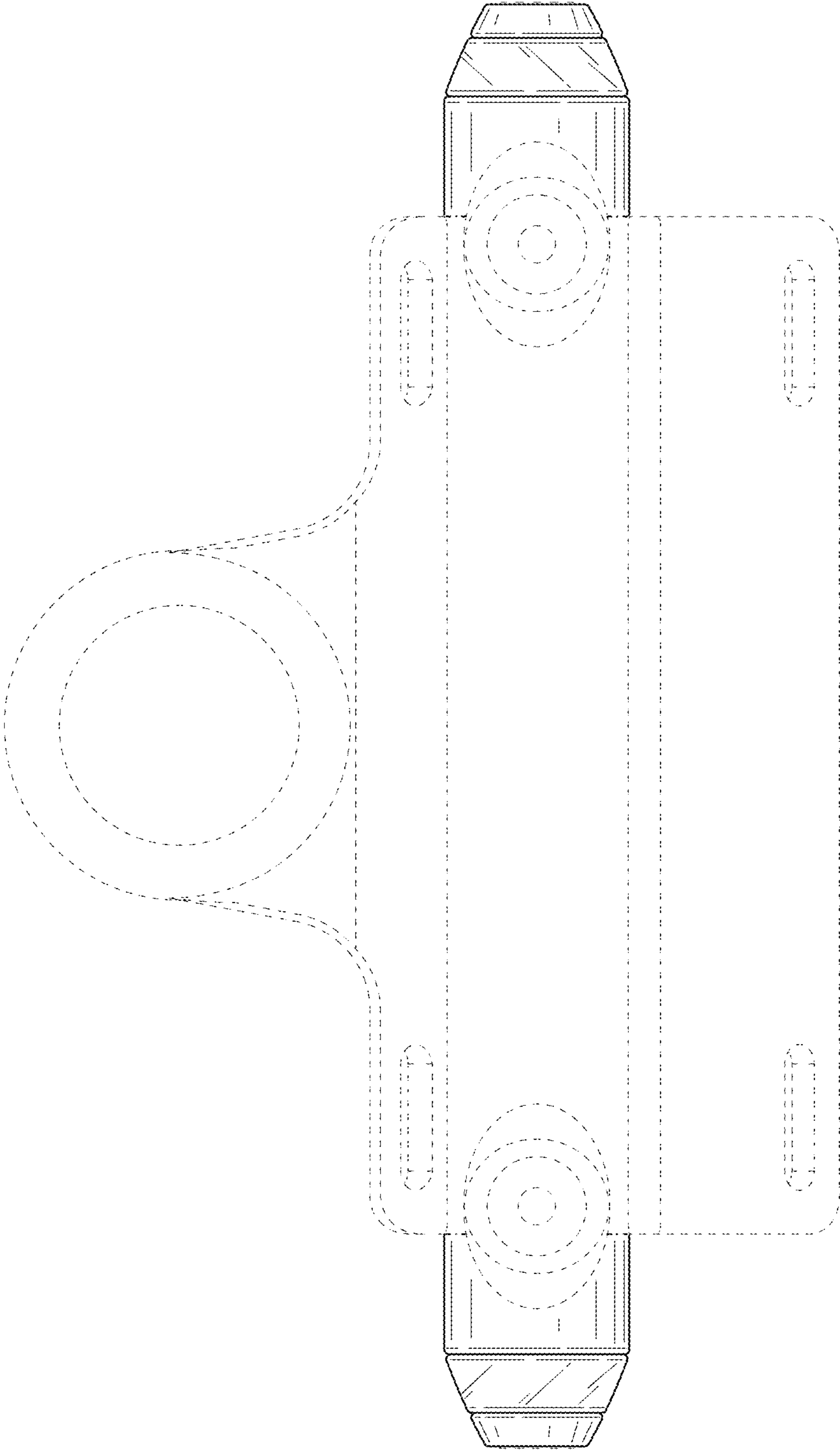


FIG. 5

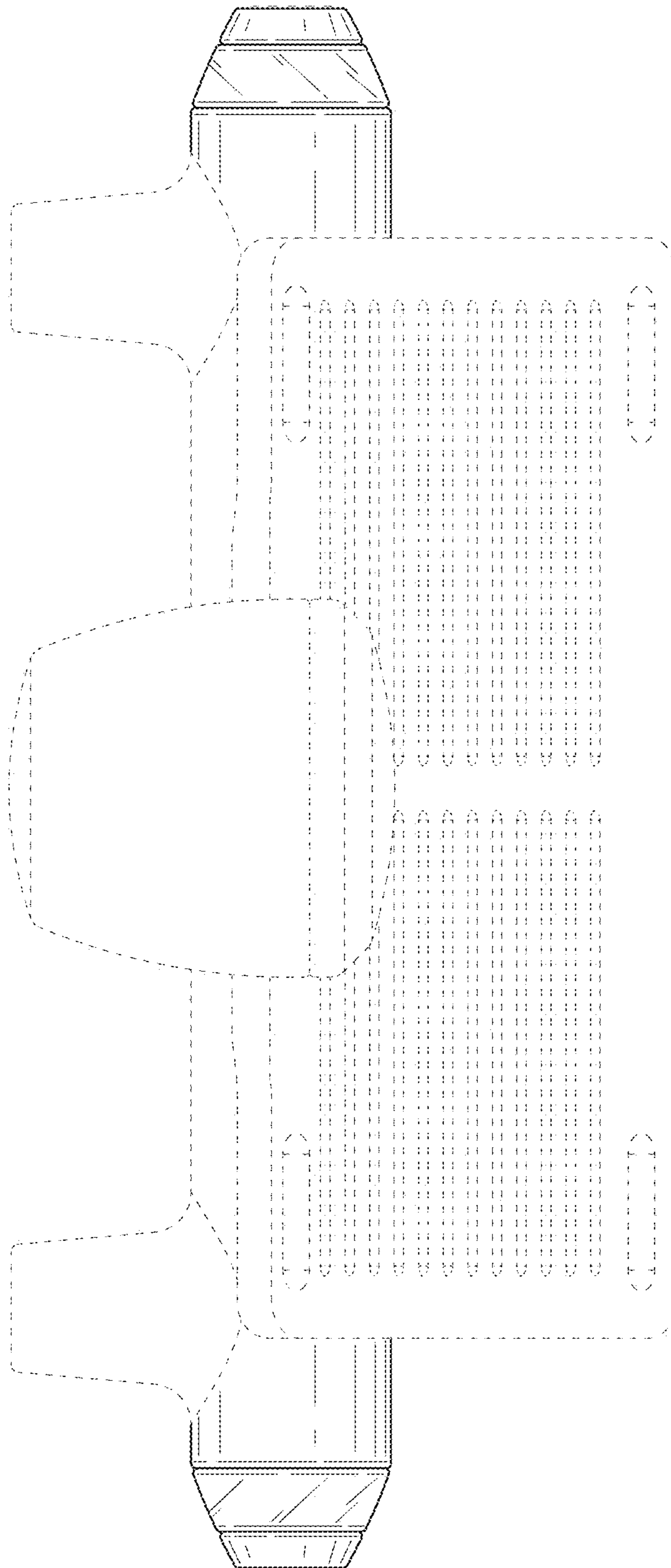


FIG. 6

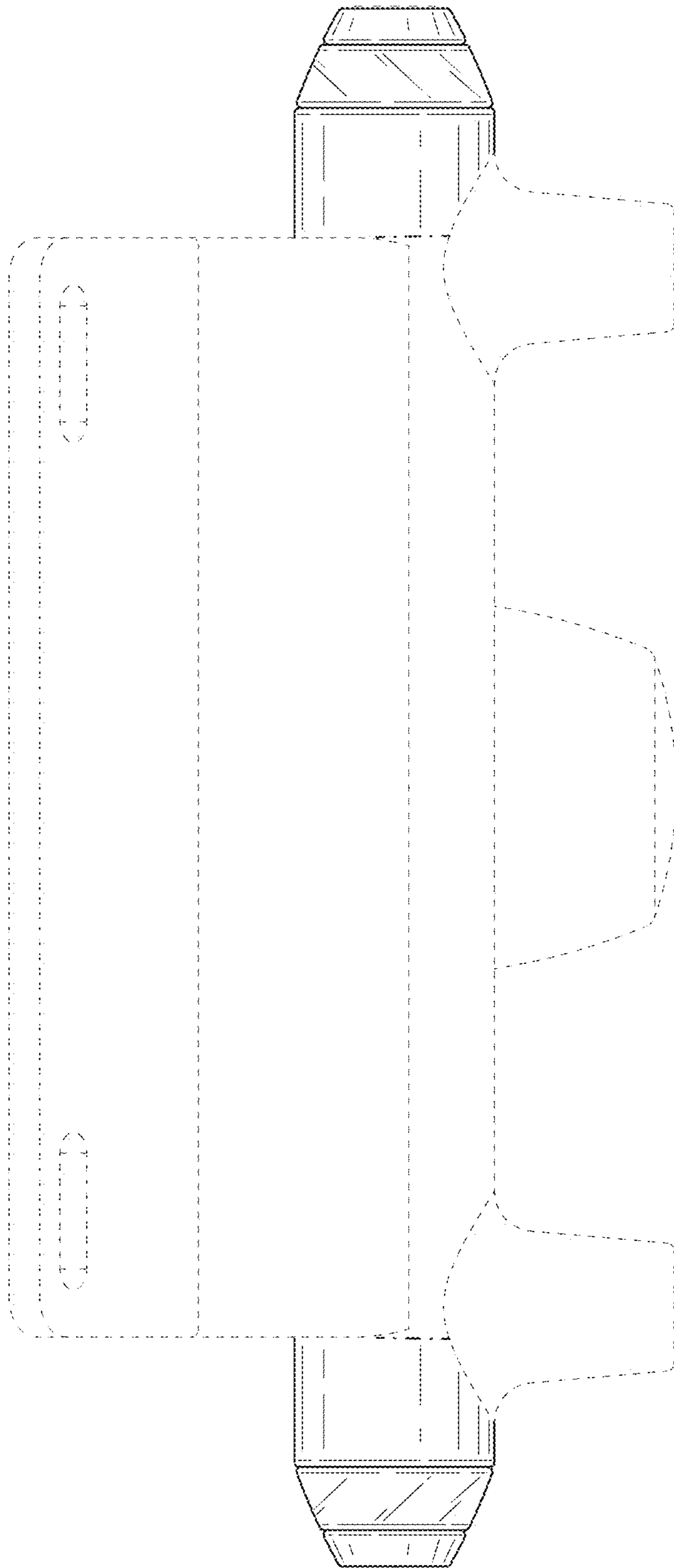


FIG. 7

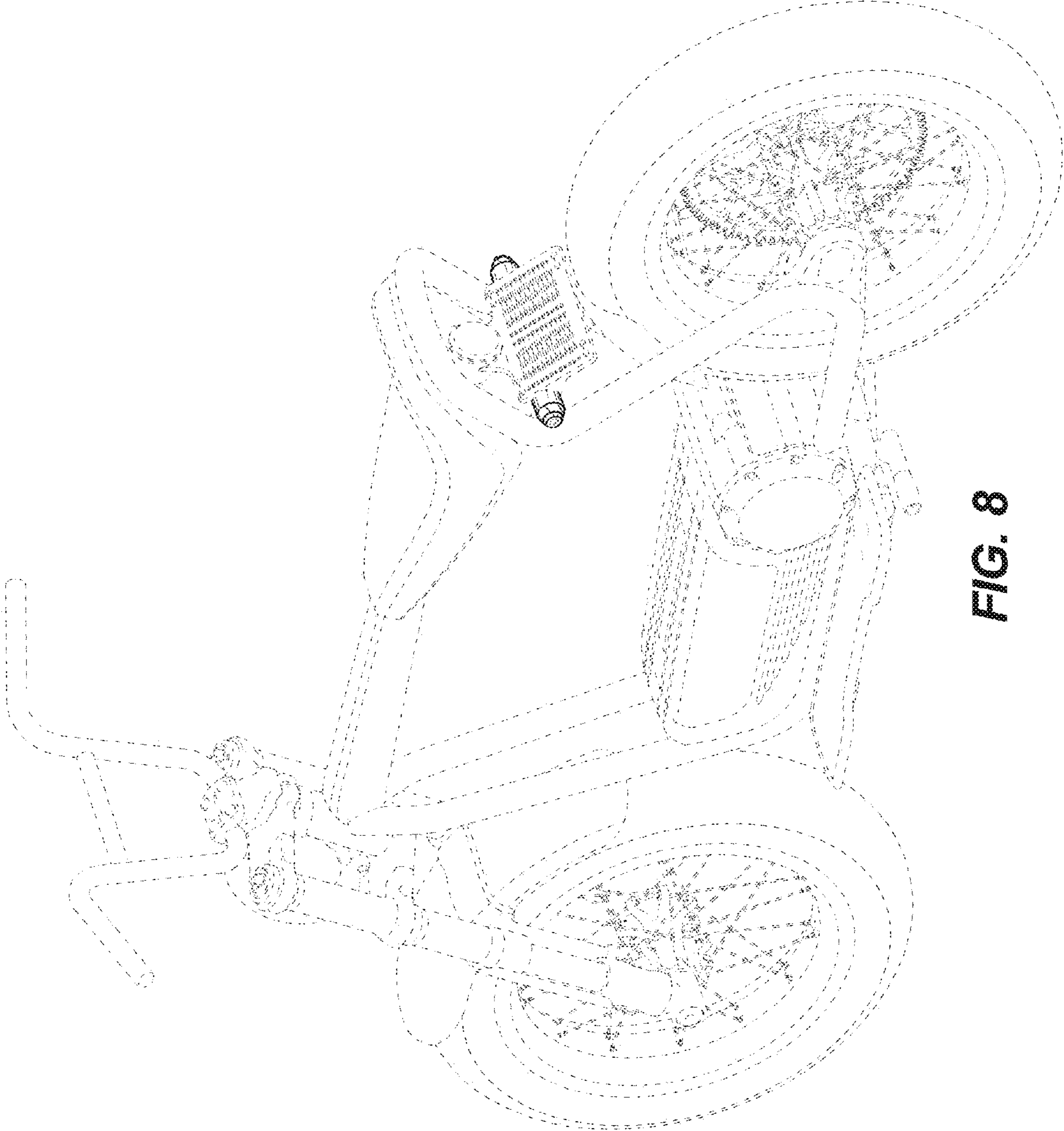


FIG. 8