



US00D898250S

(12) **United States Design Patent**  
**Yan**

(10) **Patent No.:** **US D898,250 S**

(45) **Date of Patent:** **\*\* Oct. 6, 2020**

(54) **HEADLIGHT BULB**

(71) Applicant: **Riqin Yan**, Guangzhou (CN)

(72) Inventor: **Riqin Yan**, Guangzhou (CN)

(\*\*) Term: **15 Years**

(21) Appl. No.: **29/701,568**

(22) Filed: **Aug. 13, 2019**

(51) **LOC (12) Cl.** ..... **26-06**

(52) **U.S. Cl.**  
USPC ..... **D26/28**

(58) **Field of Classification Search**  
USPC ..... D26/28-36, 139  
CPC ..... F21S 48/00; F21S 48/10; F21S 48/115;  
F21S 48/225; F21S 48/1233; F21S  
48/1266; F21S 48/1388; F21S 48/2268;  
F21V 21/04; F21V 29/004; B60Q 9/13;  
B60Q 9/135; B60Q 9/1375  
See application file for complete search history.

(56) **References Cited**

**U.S. PATENT DOCUMENTS**

D720,483 S \* 12/2014 Saddig ..... D26/28  
D740,984 S \* 10/2015 Chen ..... D26/28  
D769,487 S \* 10/2016 Ma ..... D26/28  
D769,490 S \* 10/2016 Ma ..... D26/28

D777,961 S \* 1/2017 Wu ..... D26/28

\* cited by examiner

*Primary Examiner* — Marcus A Jackson

(74) *Attorney, Agent, or Firm* — Wayne Harper; Cynthia Flanigan

(57) **CLAIM**

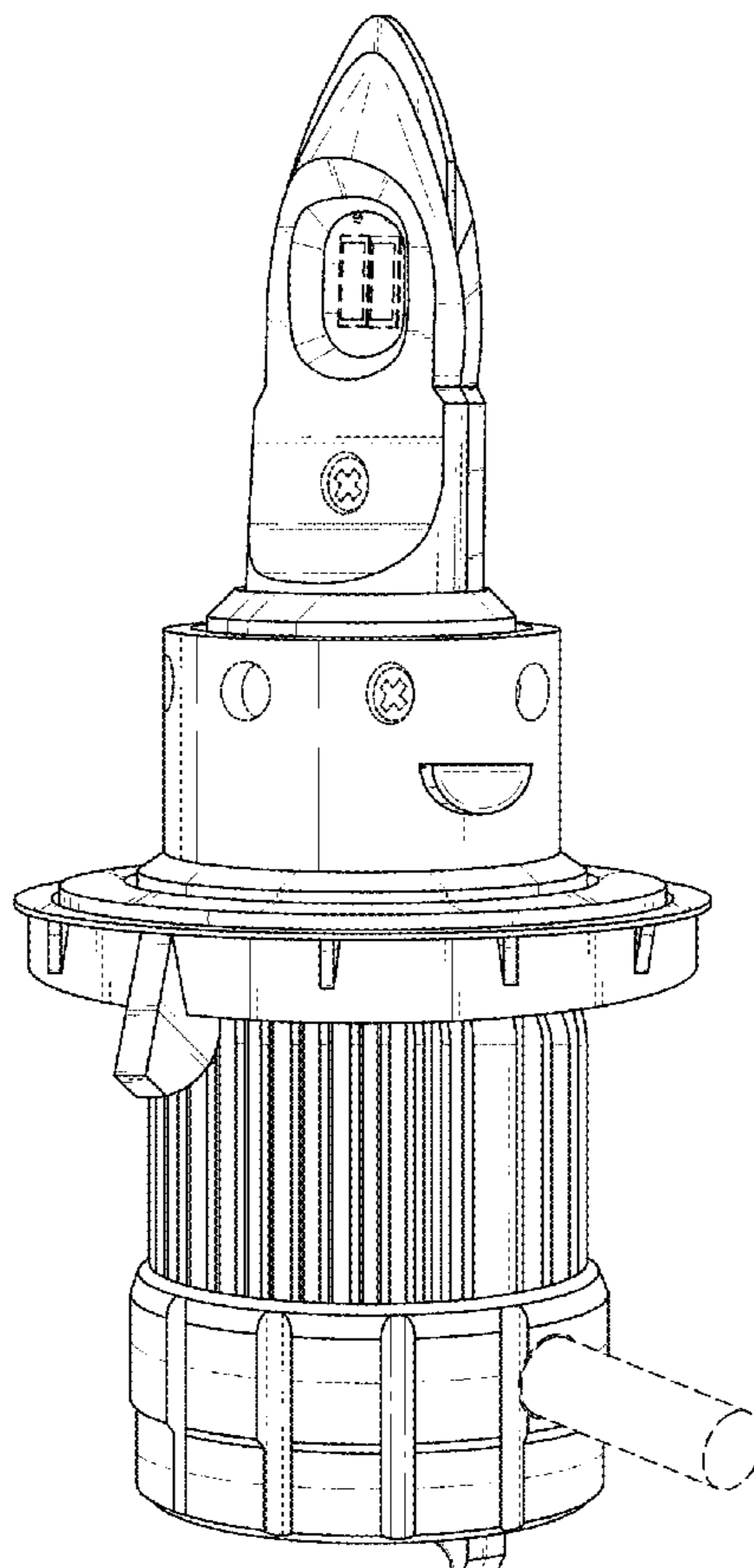
I claim the ornamental design for a headlight bulb, as shown and described.

**DESCRIPTION**

FIG. 1 is a Perspective view of a headlight bulb showing my new design;  
FIG. 2 is a Front view of the headlight bulb as shown in FIG. 1;  
FIG. 3 is a Back view of the headlight bulb as shown in FIG. 1;  
FIG. 4 is Right-side view of the headlight bulb as shown in FIG. 1;  
FIG. 5 is a Left-side view of the headlight bulb as shown in FIG. 1;  
FIG. 6 is a Top view of the headlight bulb as shown in FIG. 1; and,  
FIG. 7 is a Bottom view of the headlight bulb as shown in FIG. 1.

The broken lines are only for environmental purposes and form no part of the claimed design.

**1 Claim, 6 Drawing Sheets**



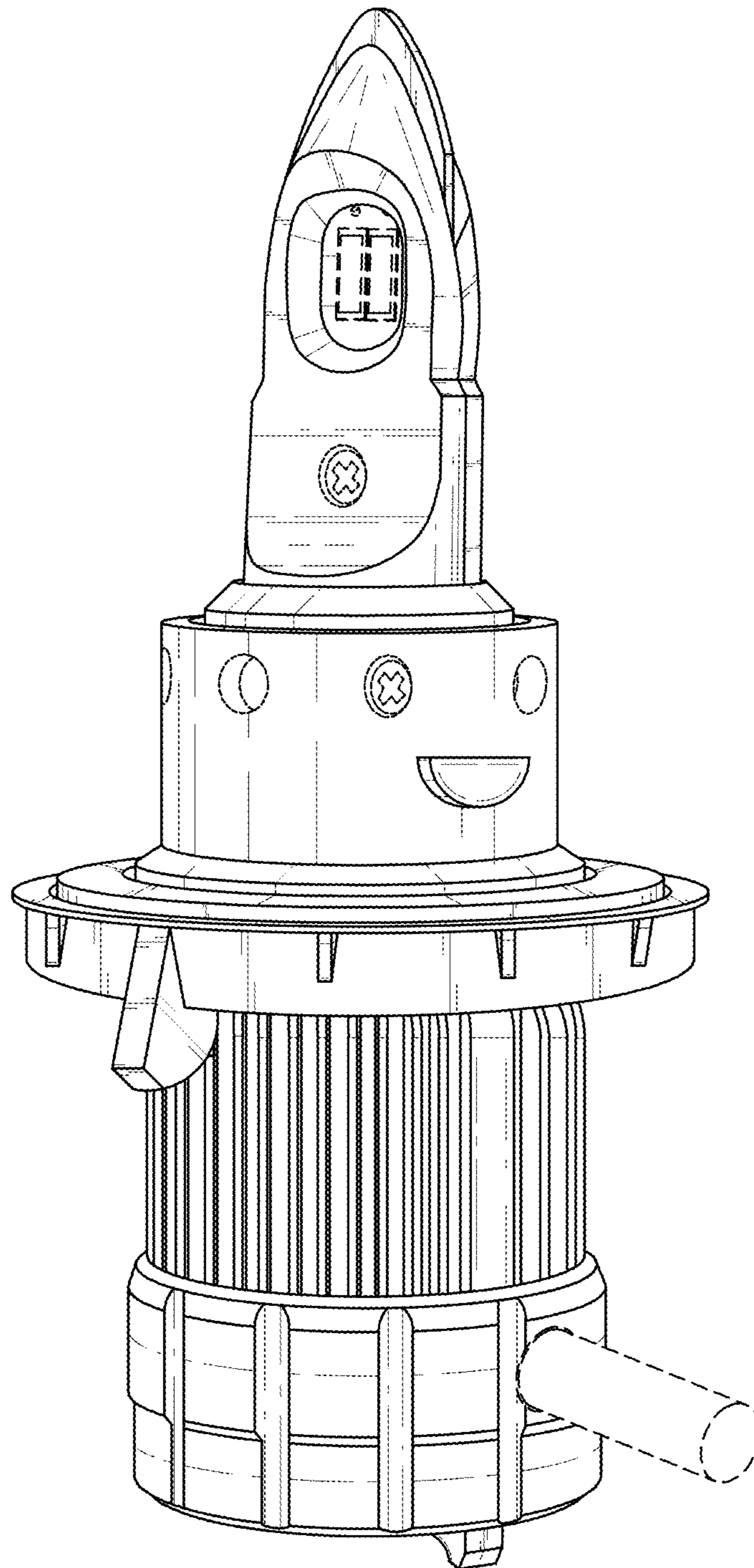


FIG. 1

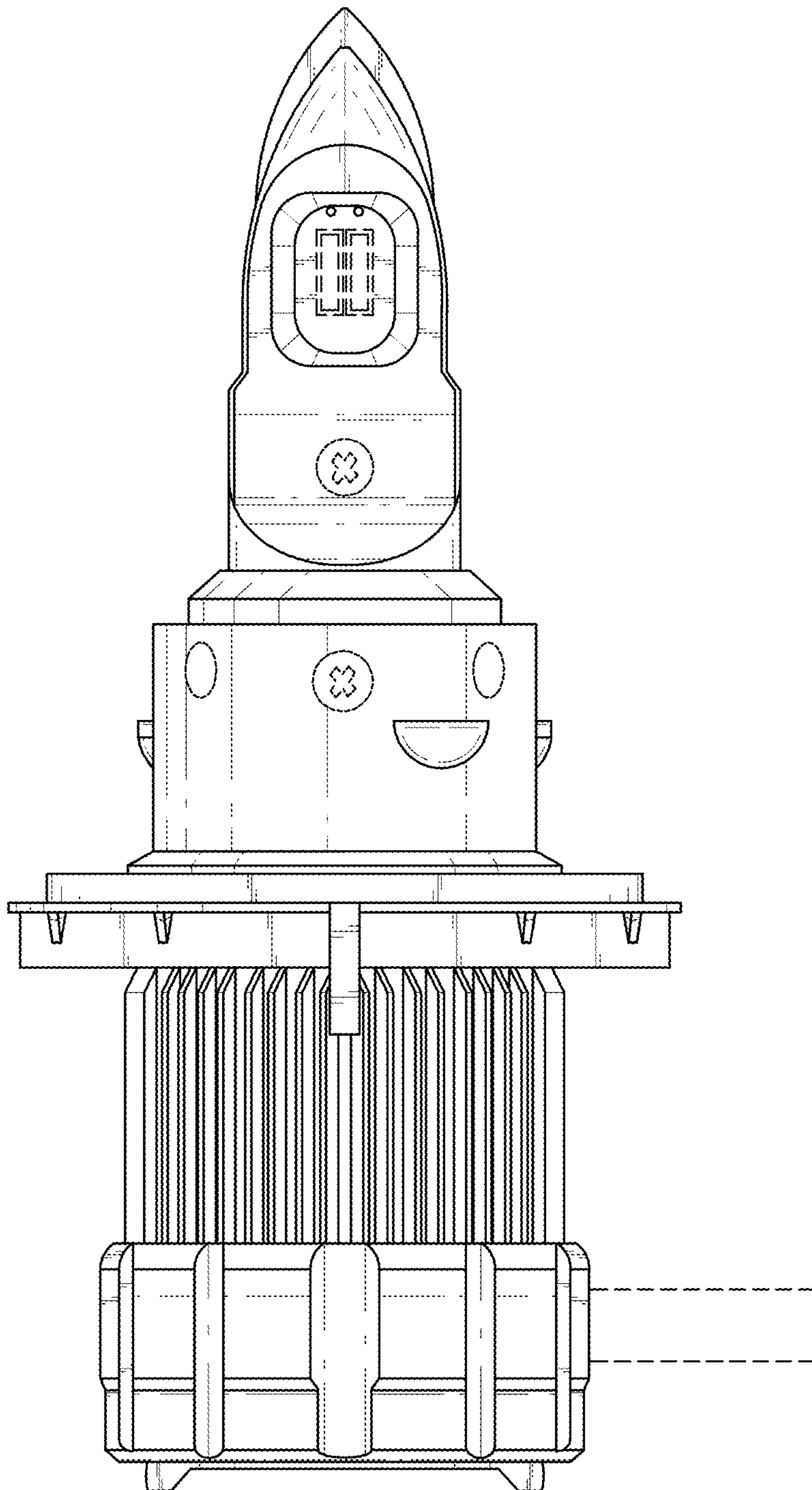


FIG. 2

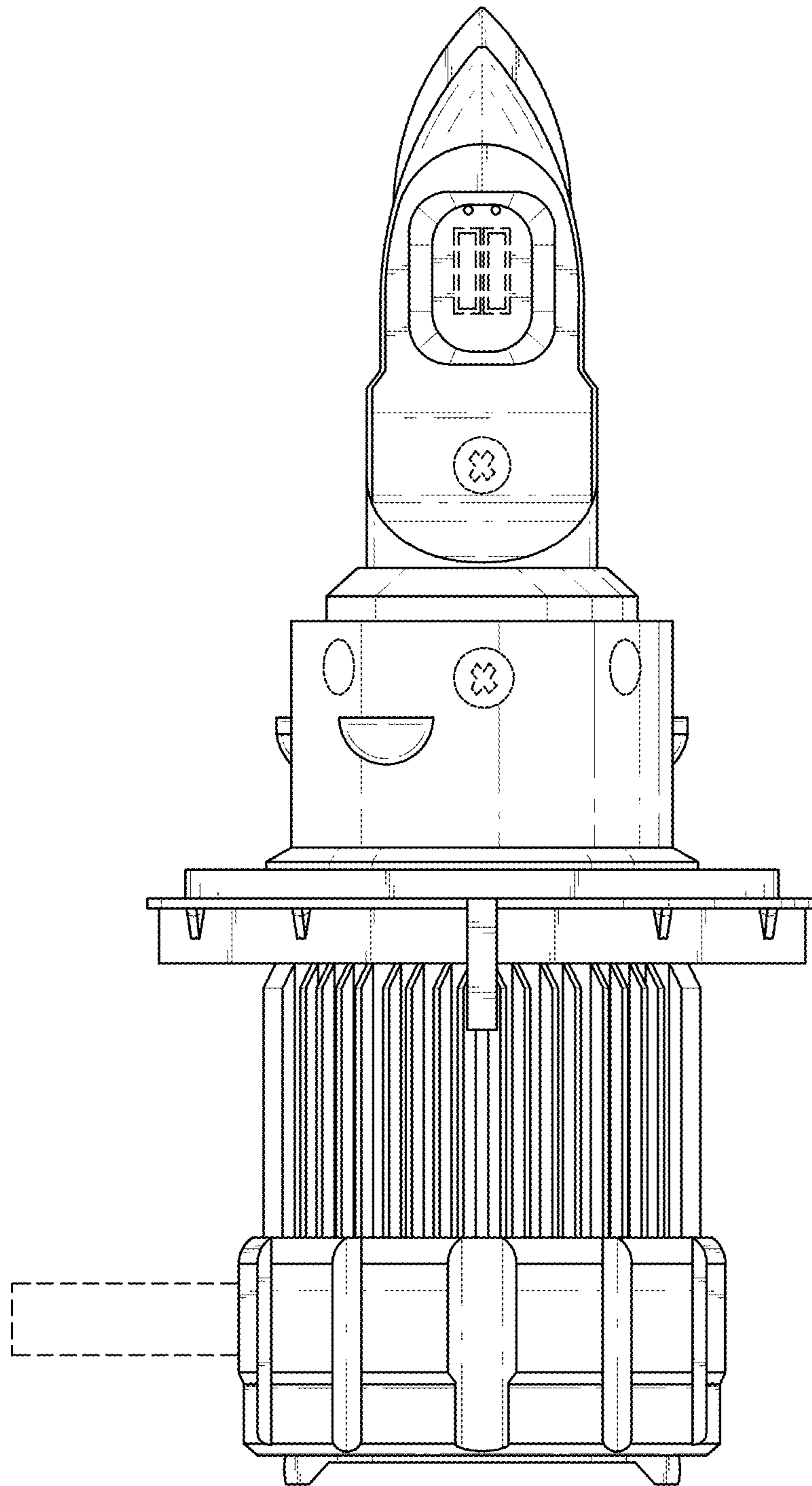


FIG. 3

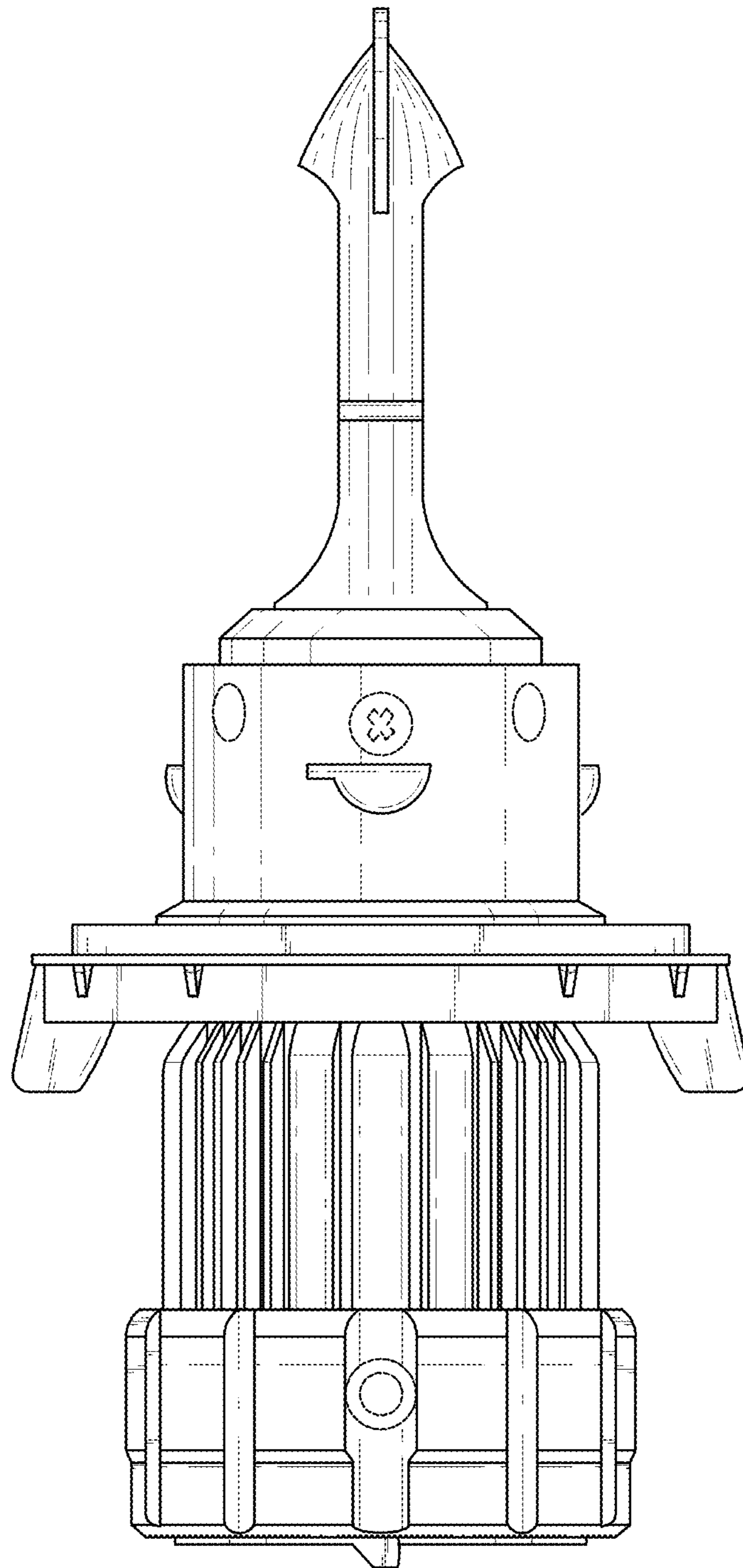


FIG. 4

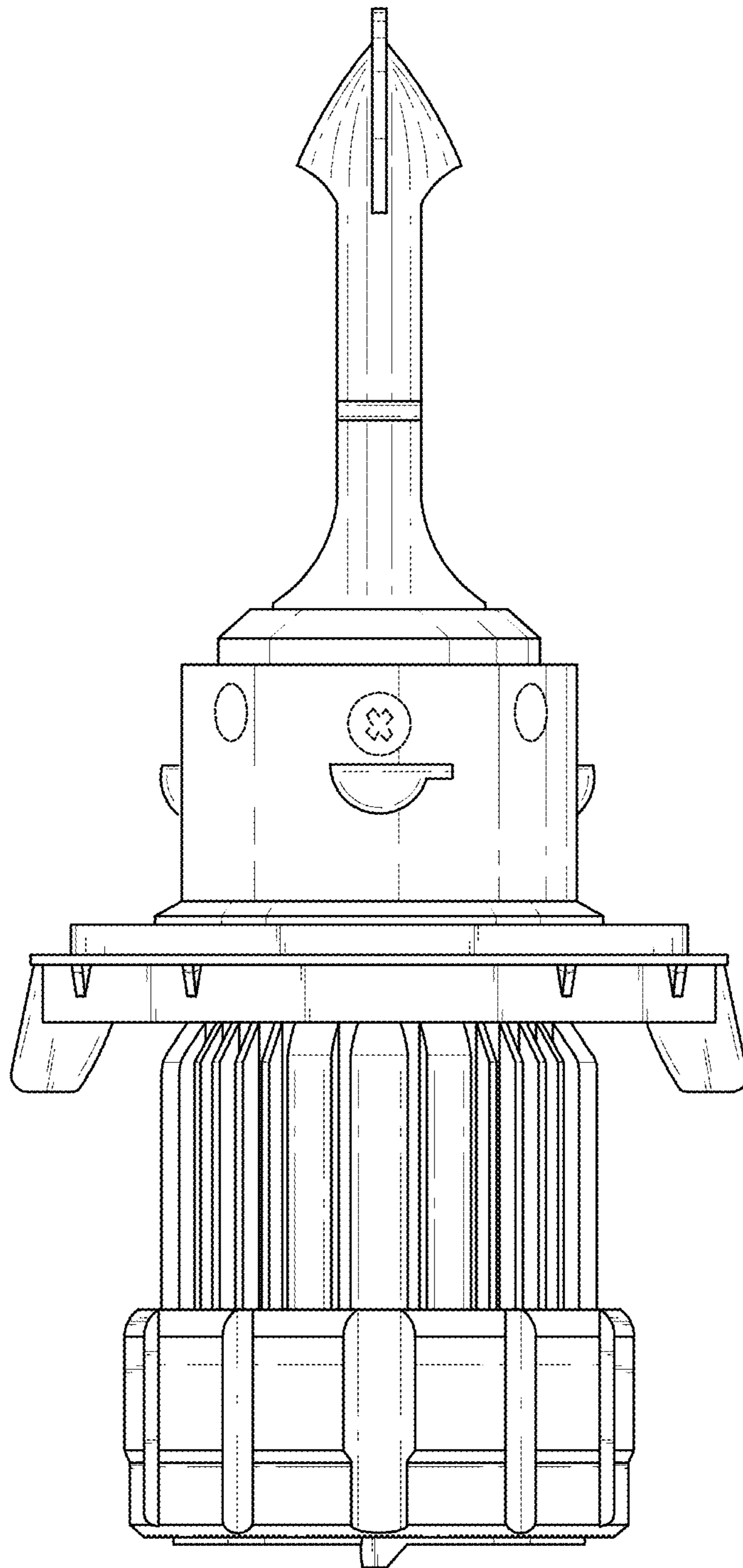


FIG. 5

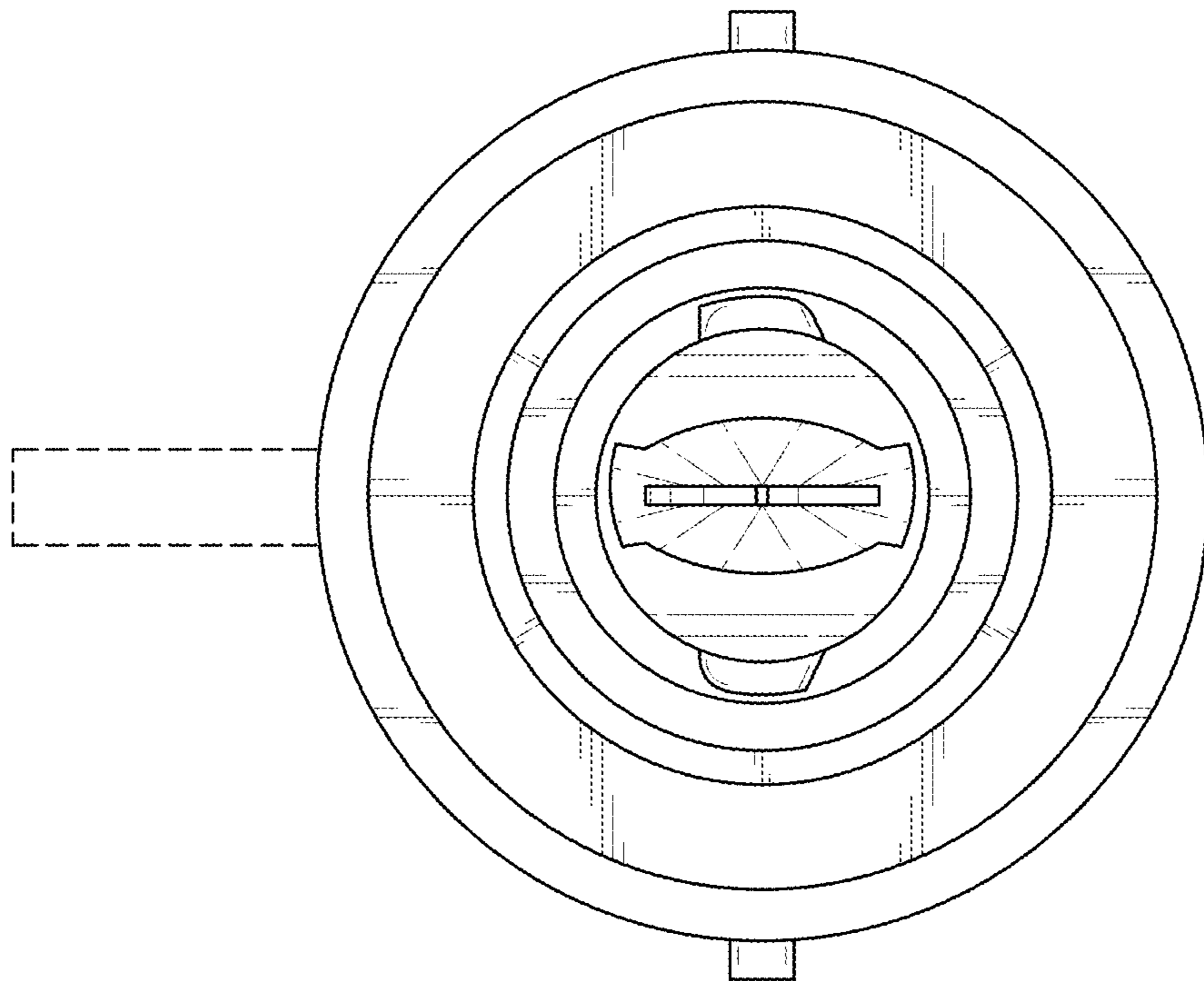


FIG. 6

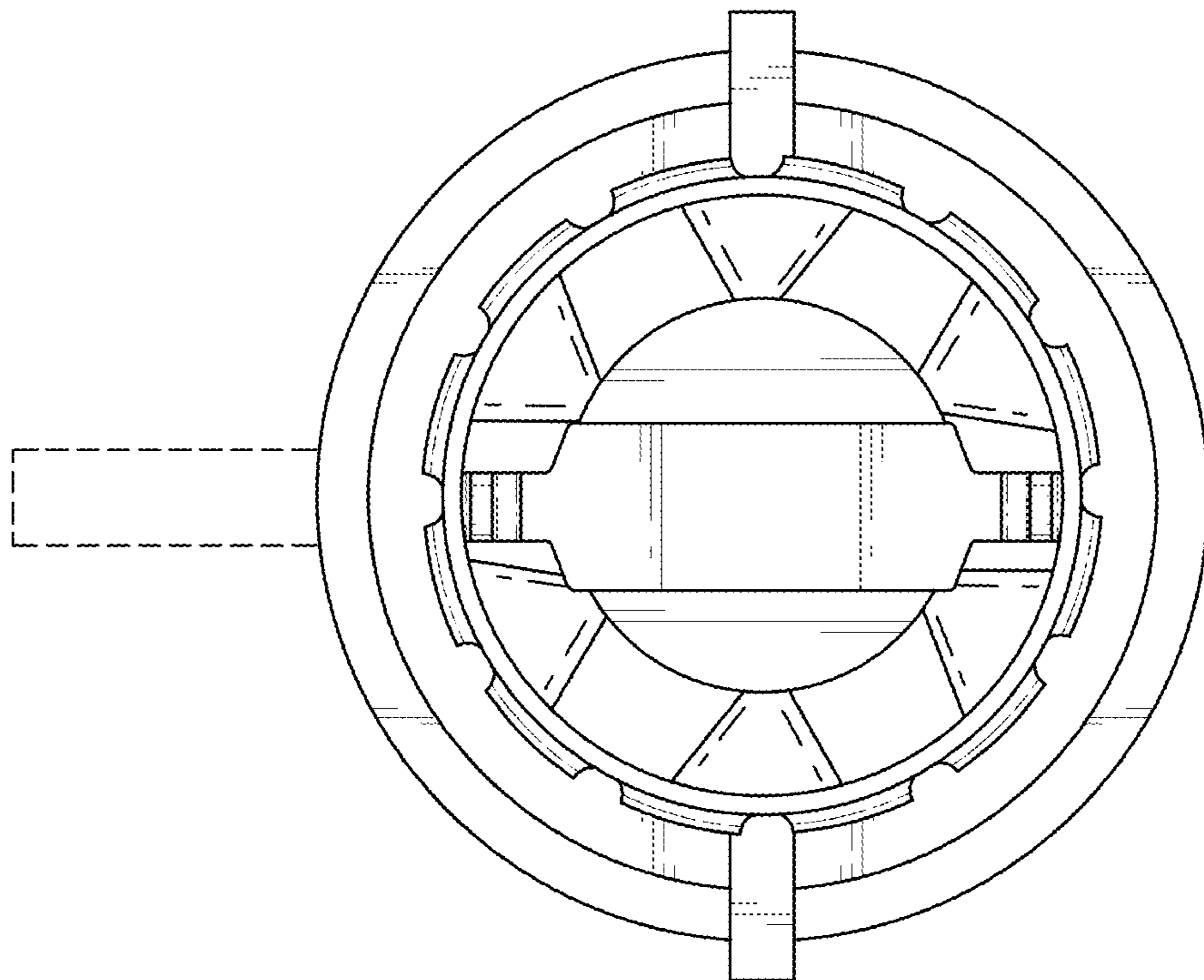


FIG. 7