



US00D898248S

(12) **United States Design Patent** (10) **Patent No.:** **US D898,248 S**
Ye (45) **Date of Patent:** **** Oct. 6, 2020**

(54) **HEADLAMP**

(71) Applicant: **Chongqing Oukesi Electronic Technology Co., LTD., Chongqing (CN)**

(72) Inventor: **Lin Ye, Chongqing (CN)**

(73) Assignee: **CHONGQING OUKESI ELECTRONIC TECHNOLOGY CO., LTD., Chongqing (CN)**

(**) Term: **15 Years**

(21) Appl. No.: **29/699,841**

(22) Filed: **Jul. 29, 2019**

(51) **LOC (12) Cl.** **26-06**

(52) **U.S. Cl.**
USPC **D26/28**

(58) **Field of Classification Search**
USPC D26/28-36, 139
CPC F21S 48/00; F21S 48/10; F21S 48/115;
F21S 48/225; F21S 48/1233; F21S 48/1266; F21S 48/1388; F21S 48/2268;
B60Q 9/13; B60Q 9/135; B60Q 9/1375;
F21V 21/04; F21V 29/004
See application file for complete search history.

(56) **References Cited**

U.S. PATENT DOCUMENTS

D593,233 S * 5/2009 Bai D26/28
D656,639 S * 3/2012 Kusamoto D26/28

D674,941 S * 1/2013 Lai D26/28
D761,463 S * 7/2016 Lai D26/28
D774,671 S * 12/2016 Lai D26/28
D797,332 S * 9/2017 Lin D26/28
D802,812 S * 11/2017 Lai D26/28
D809,682 S * 2/2018 Lin D26/28
D824,058 S * 7/2018 Hong D26/28

* cited by examiner

Primary Examiner — Marcus A Jackson

(74) *Attorney, Agent, or Firm* — Cheng-Ju Chiang

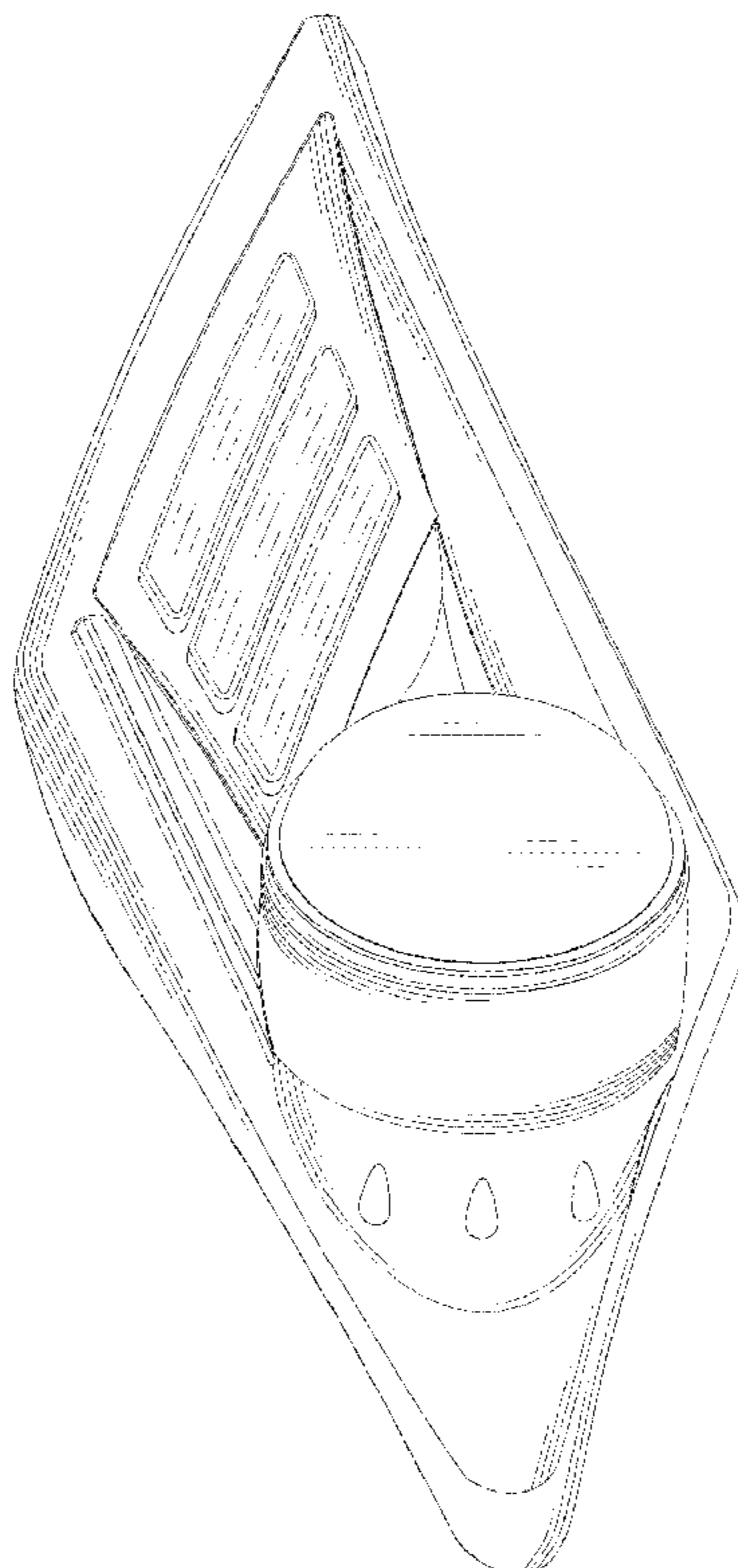
(57) **CLAIM**

The ornamental design for a headlamp, as shown and described.

DESCRIPTION

FIG. 1 is a front elevational view of a headlamp showing my new design;
FIG. 2 is a back elevational view thereof;
FIG. 3 is a left side elevational view thereof;
FIG. 4 is a right side elevational view thereof;
FIG. 5 is a top plan view thereof;
FIG. 6 is a bottom plan view thereof; and,
FIG. 7 is a front, right and top perspective view thereof.
The broken line portion of the drawings is included to show unclaimed subject matter only and forms no part of the claimed design.

1 Claim, 7 Drawing Sheets



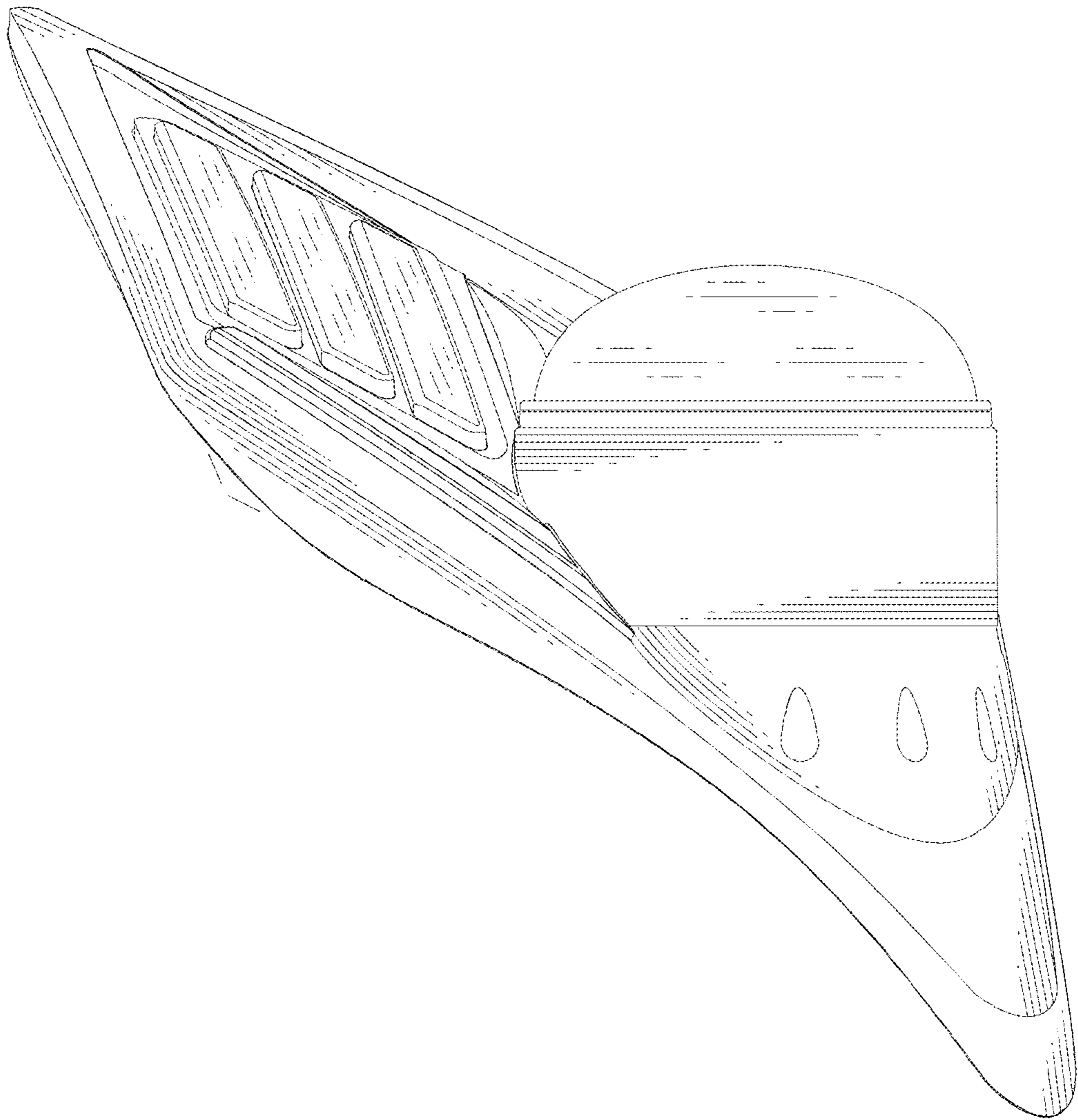


FIG. 1

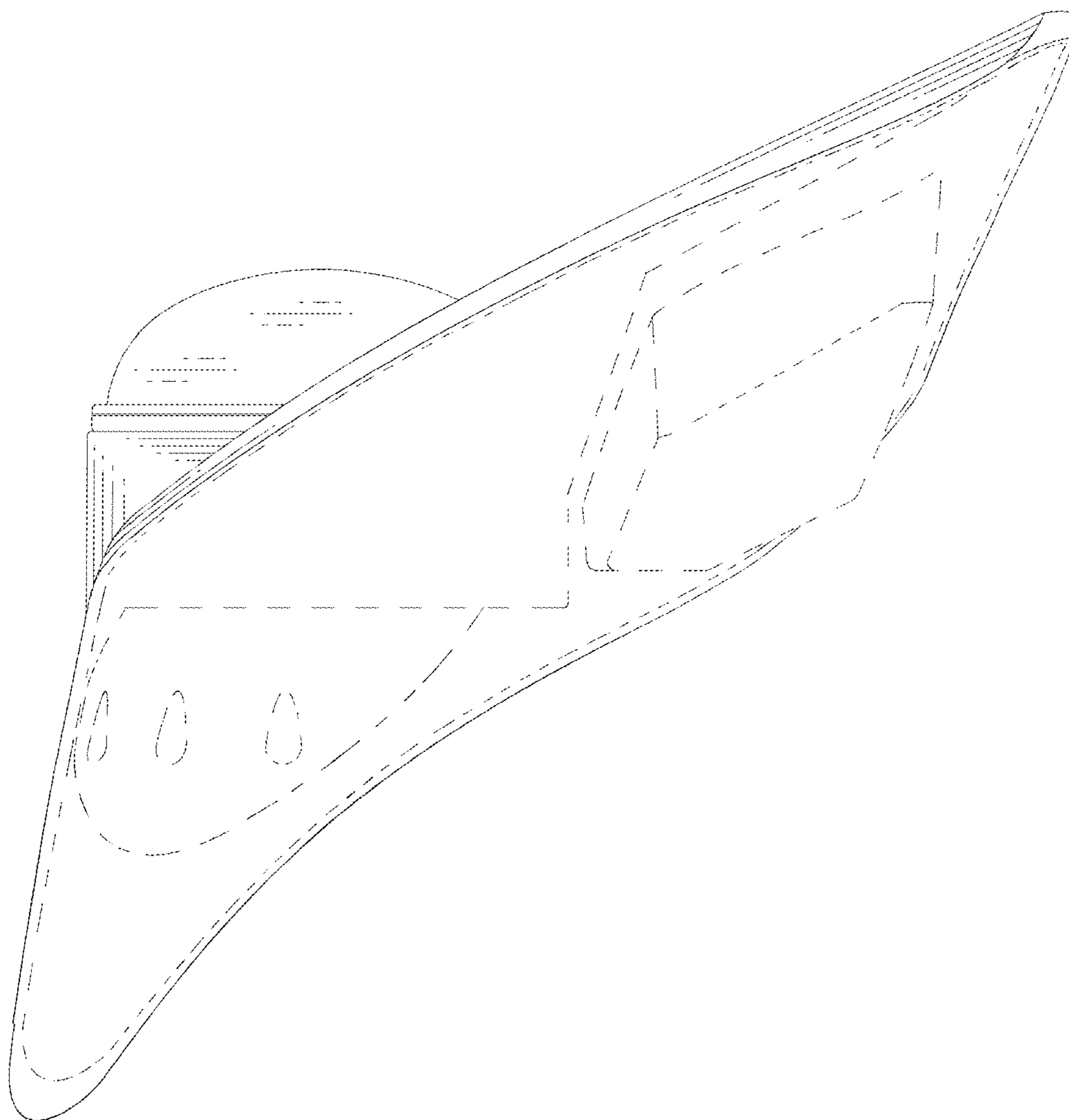


FIG. 2

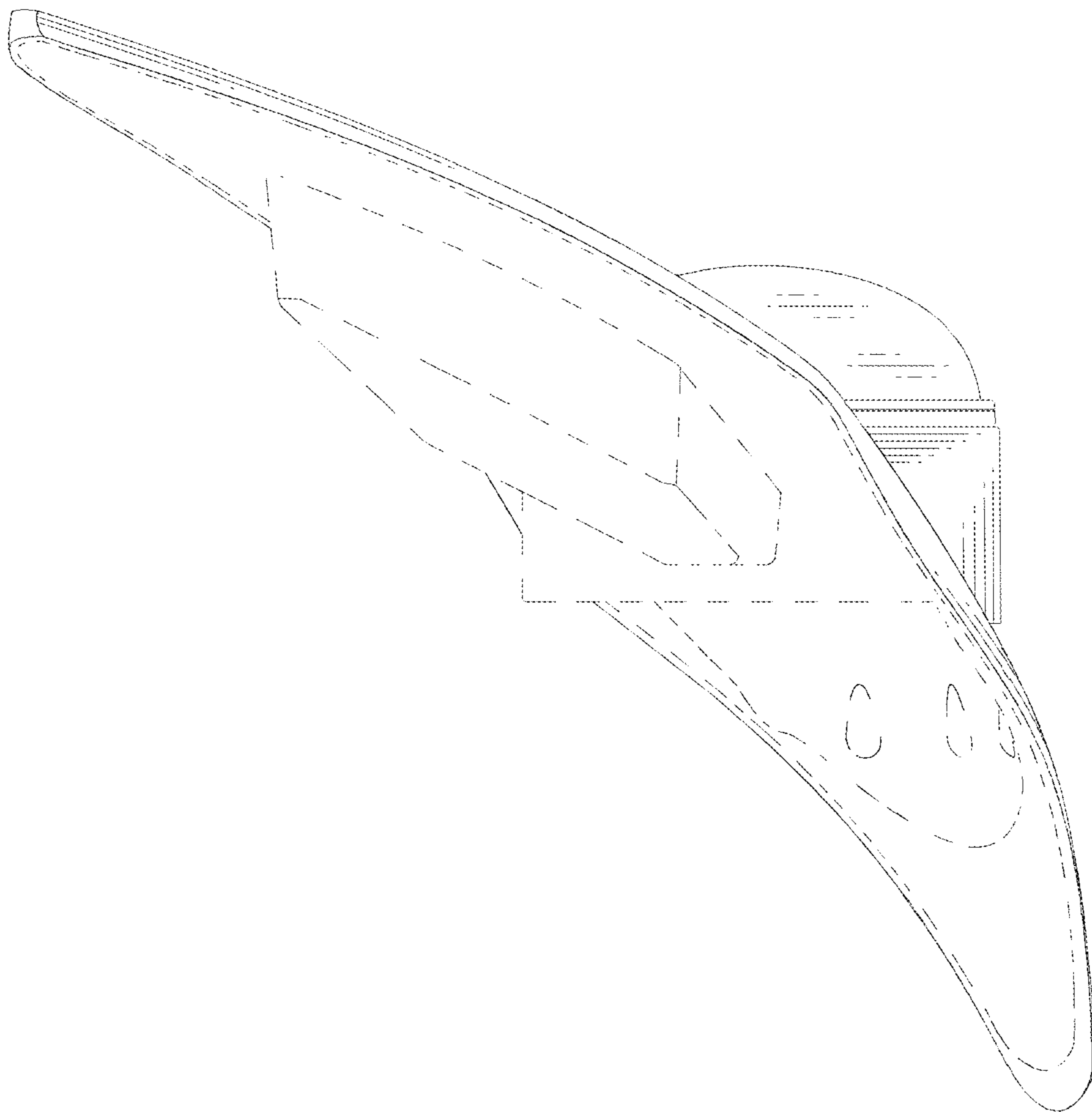


FIG. 3

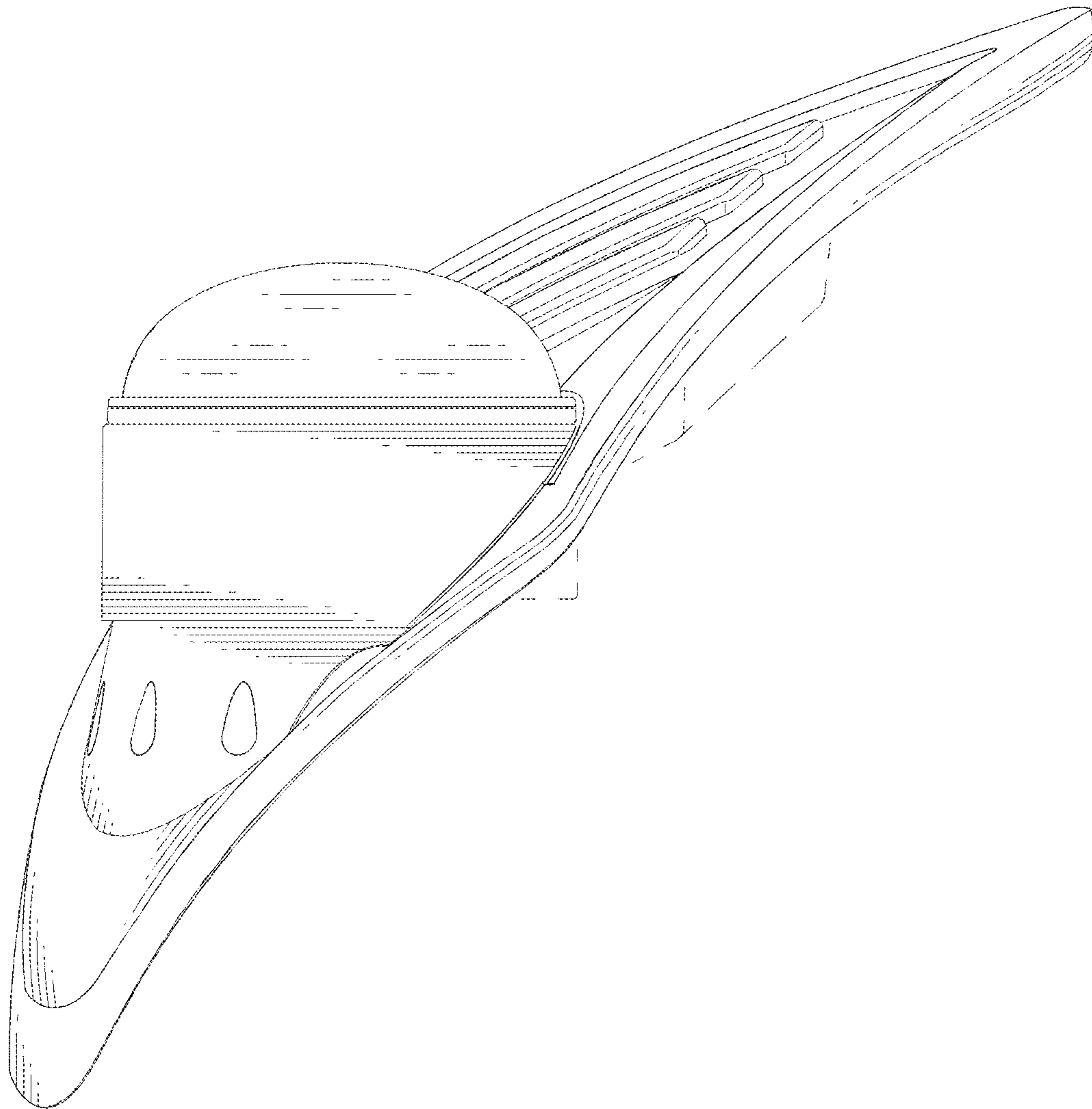


FIG. 4

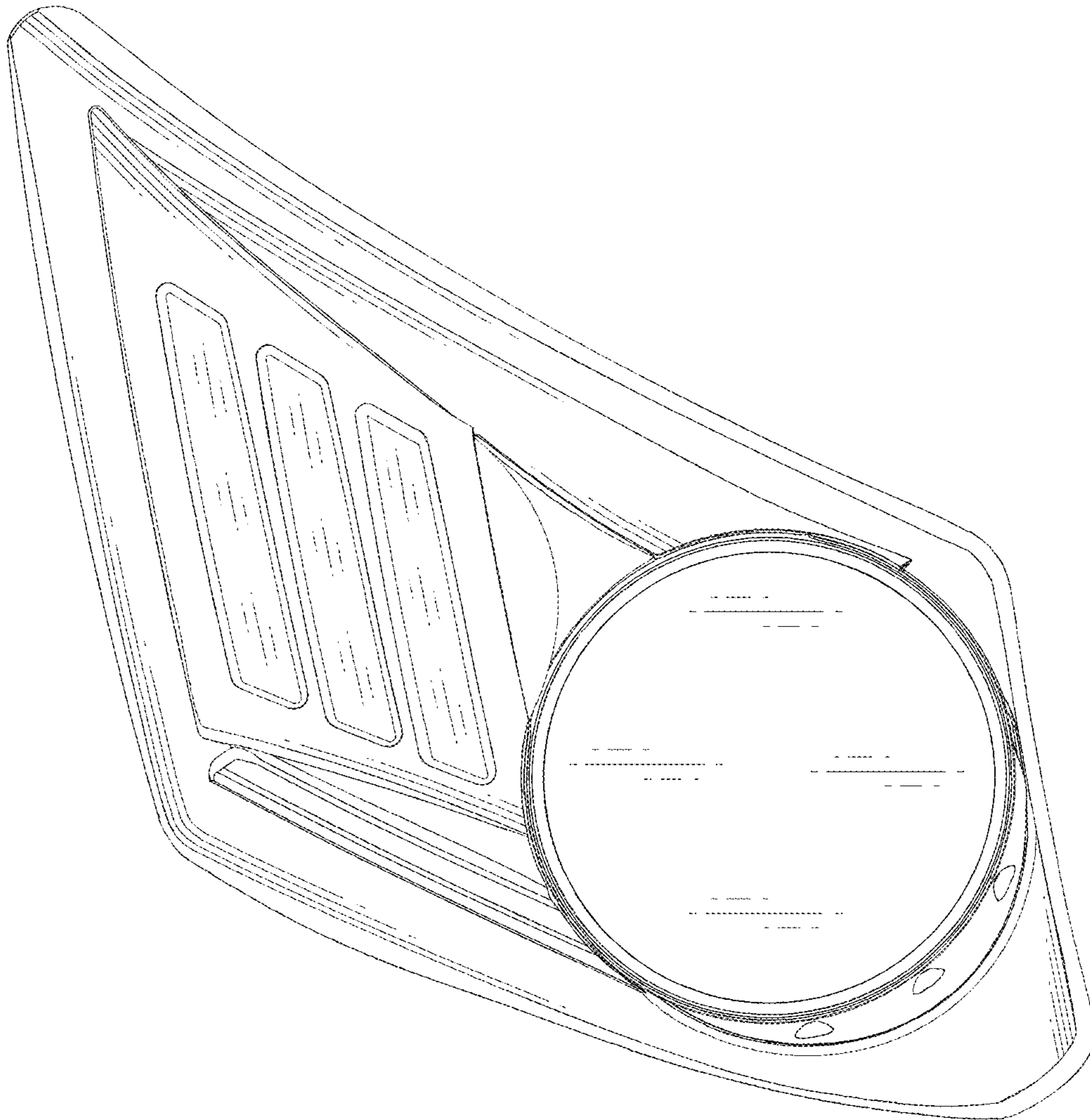


FIG. 5

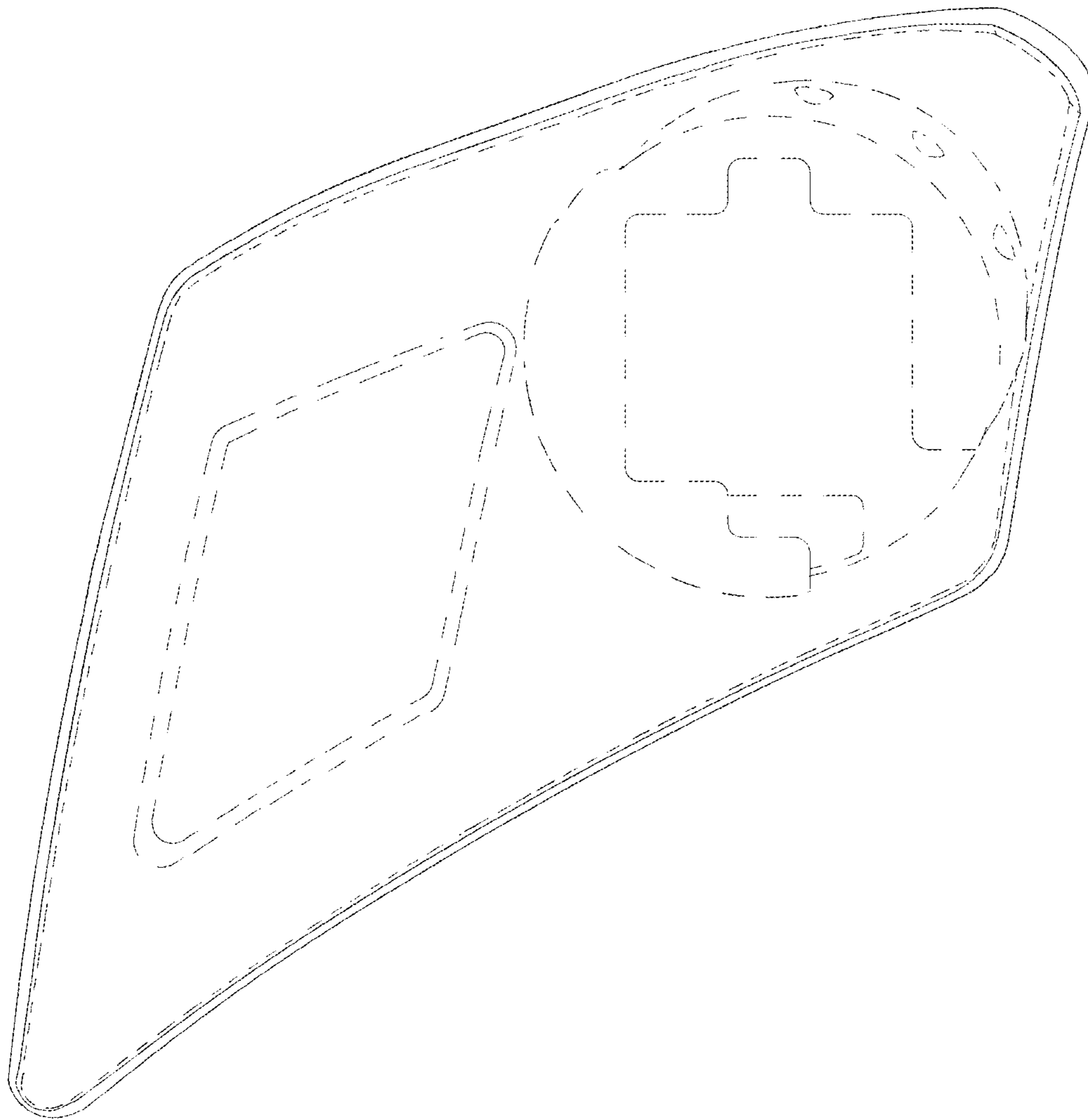


FIG. 6

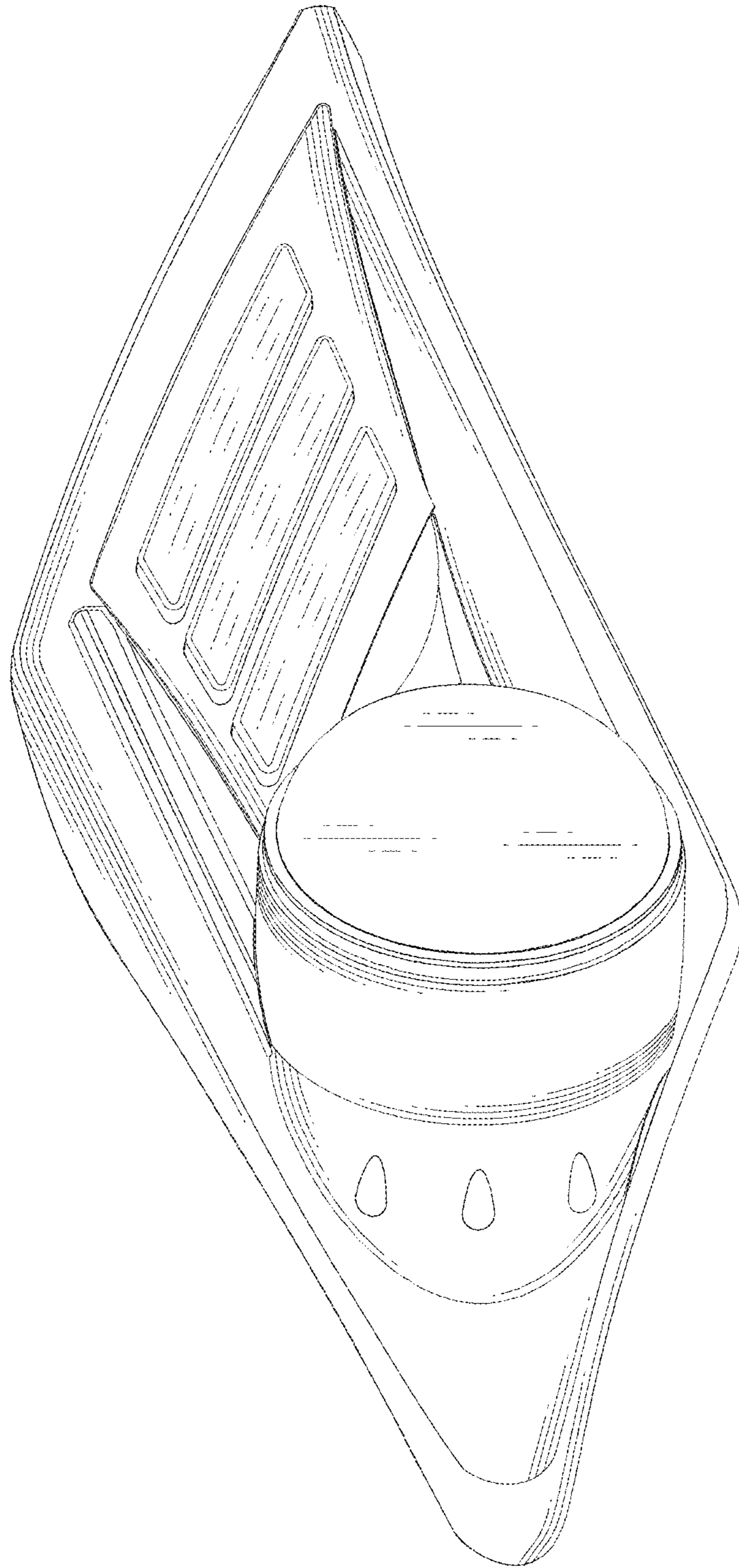


FIG. 7