



US00D898246S

(12) **United States Design Patent**
Yan

(10) **Patent No.:** **US D898,246 S**

(45) **Date of Patent:** **** Oct. 6, 2020**

(54) **HEADLIGHT**

(71) Applicant: **Riqin Yan**, Guangzhou (CN)

(72) Inventor: **Riqin Yan**, Guangzhou (CN)

(**) Term: **15 Years**

(21) Appl. No.: **29/699,692**

(22) Filed: **Jul. 29, 2019**

(51) **LOC (12) Cl.** **26-06**

(52) **U.S. Cl.**
USPC **D26/28**

(58) **Field of Classification Search**
USPC D26/28-36, 139
CPC F21S 48/00; F21S 48/10; F21S 48/115;
F21S 48/225; F21S 48/1233; F21S
48/1266; F21S 48/1388; F21S 48/2268;
F21V 21/04; F21V 29/004; B60Q 9/13;
B60Q 9/135; B60Q 9/1375

See application file for complete search history.

(56) **References Cited**

U.S. PATENT DOCUMENTS

D720,483 S * 12/2014 Saddig D26/28
D740,984 S * 10/2015 Chen D26/28
D769,478 S * 10/2016 Gorsten Schuenemann .. D26/28

D769,490 S * 10/2016 Ma D26/28
D777,961 S * 1/2017 Wu D26/28
D846,775 S * 4/2019 Yan D26/28

* cited by examiner

Primary Examiner — Marcus A Jackson

(74) *Attorney, Agent, or Firm* — Wayne Harper; Cynthia Flanigan

(57) **CLAIM**

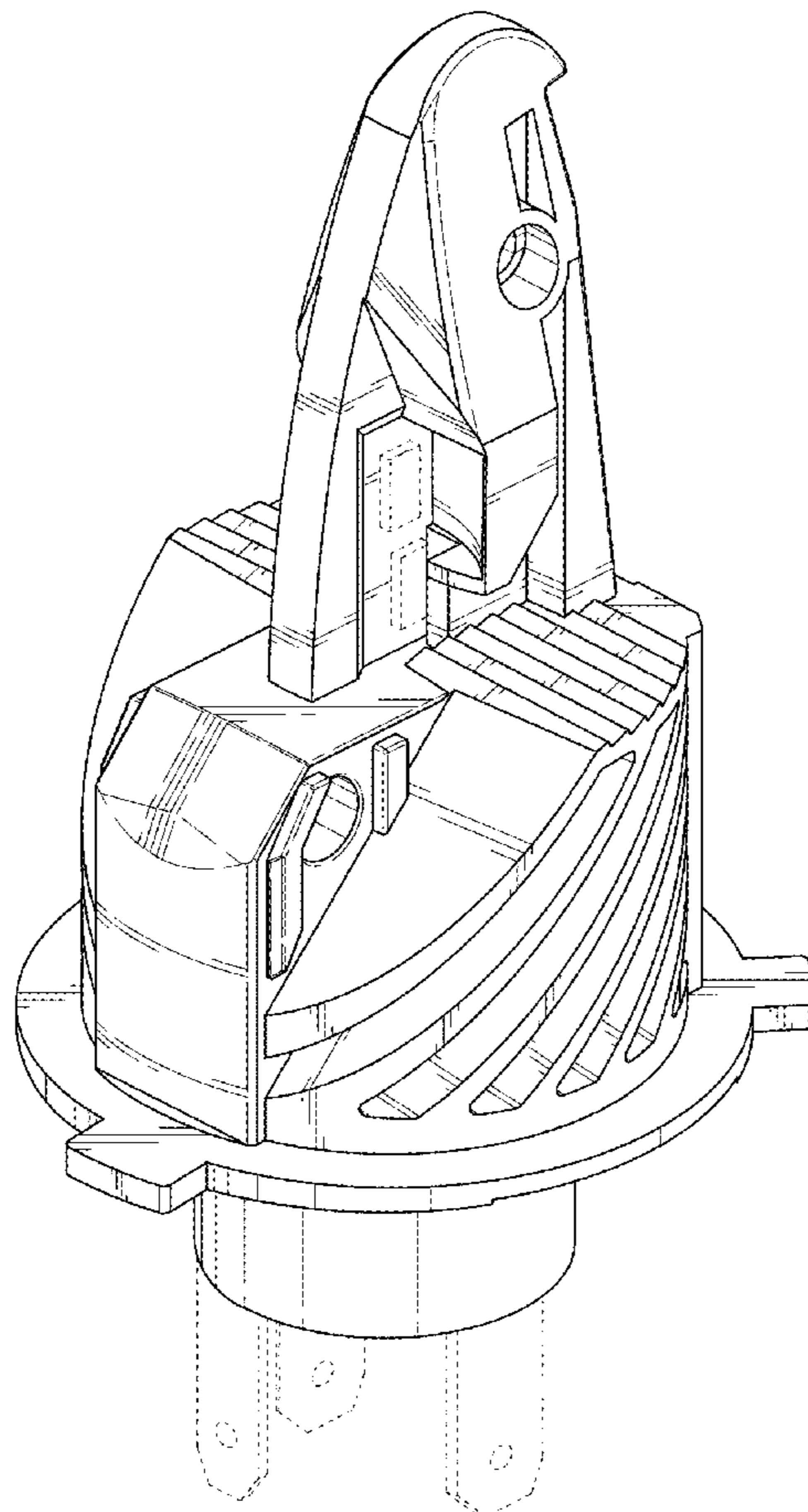
I claim the ornamental design for a headlight, as shown and described.

DESCRIPTION

FIG. 1 is a Perspective view of a headlight showing my new design;
FIG. 2 is a Front view of the headlight as shown in FIG. 1;
FIG. 3 is a Back view of the headlight as shown in FIG. 1;
FIG. 4 is a Left-side view of the headlight as shown in FIG. 1;
FIG. 5 is a Right-side view of the headlight as shown in FIG. 1;
FIG. 6 is a Top view of the headlight as shown in FIG. 1;
and,
FIG. 7 is a Bottom view of the headlight as shown in FIG. 1.

The broken lines are only for environmental purposes and form no part of the claimed design.

1 Claim, 7 Drawing Sheets



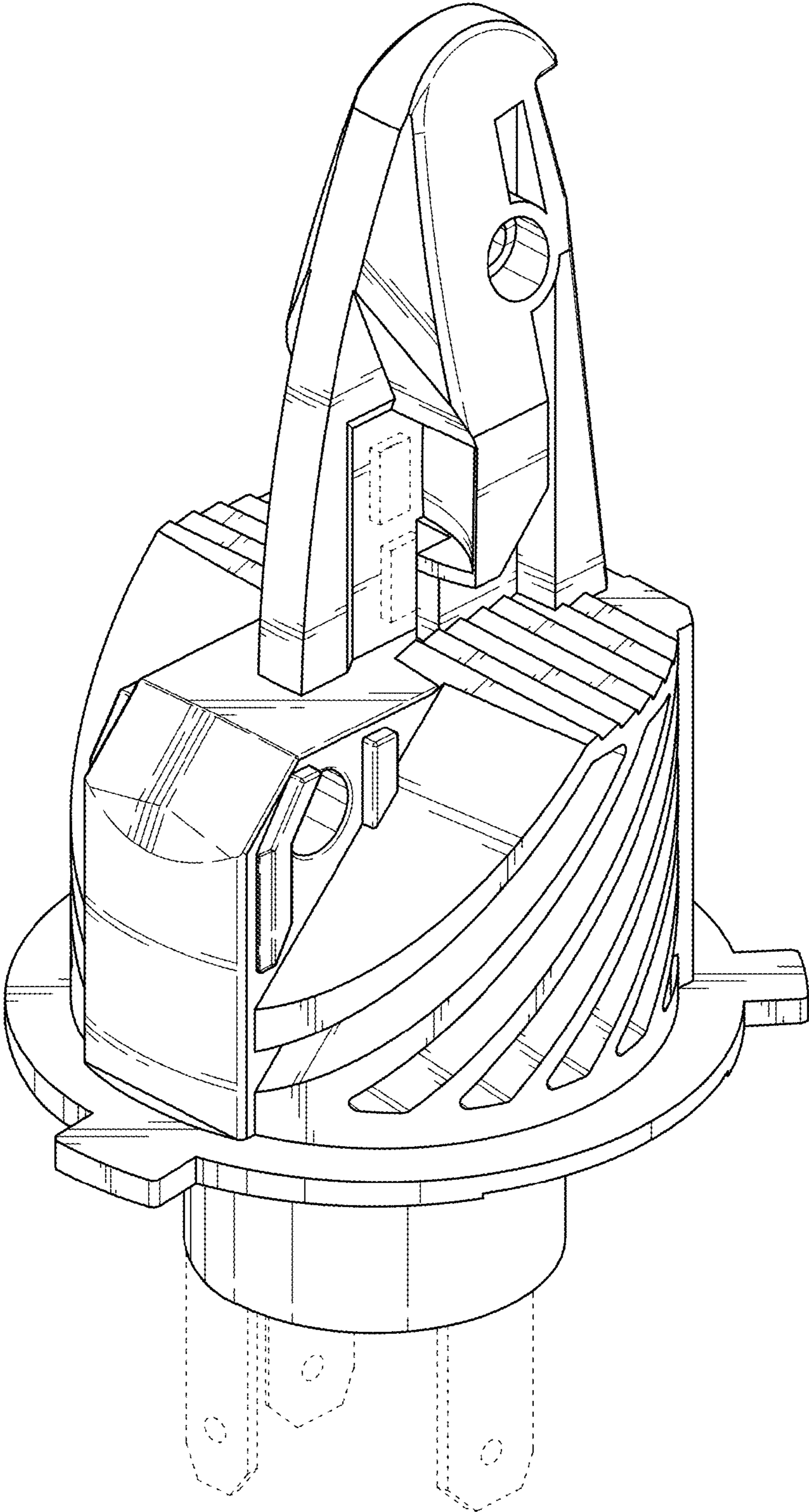


FIG. 1

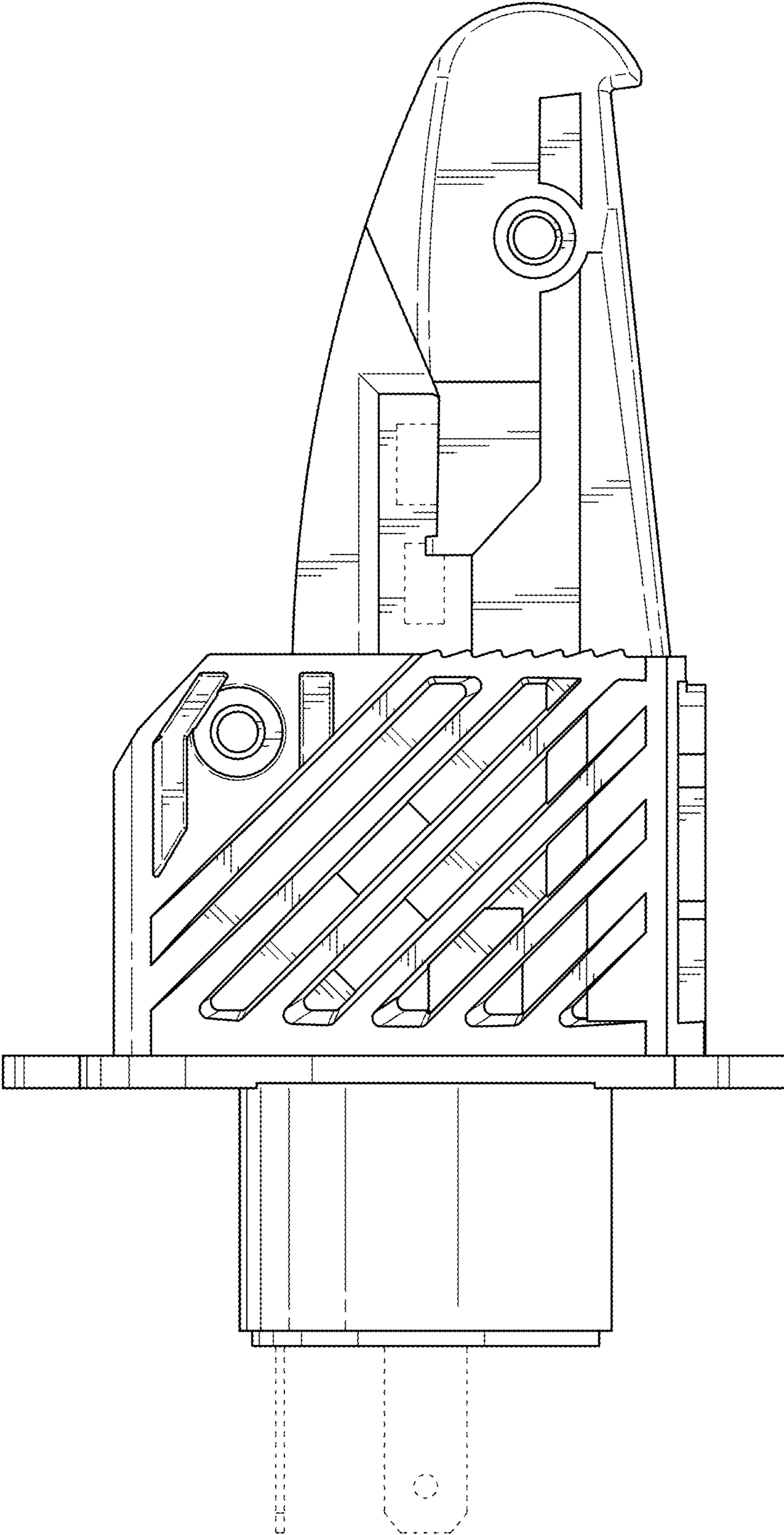


FIG. 2

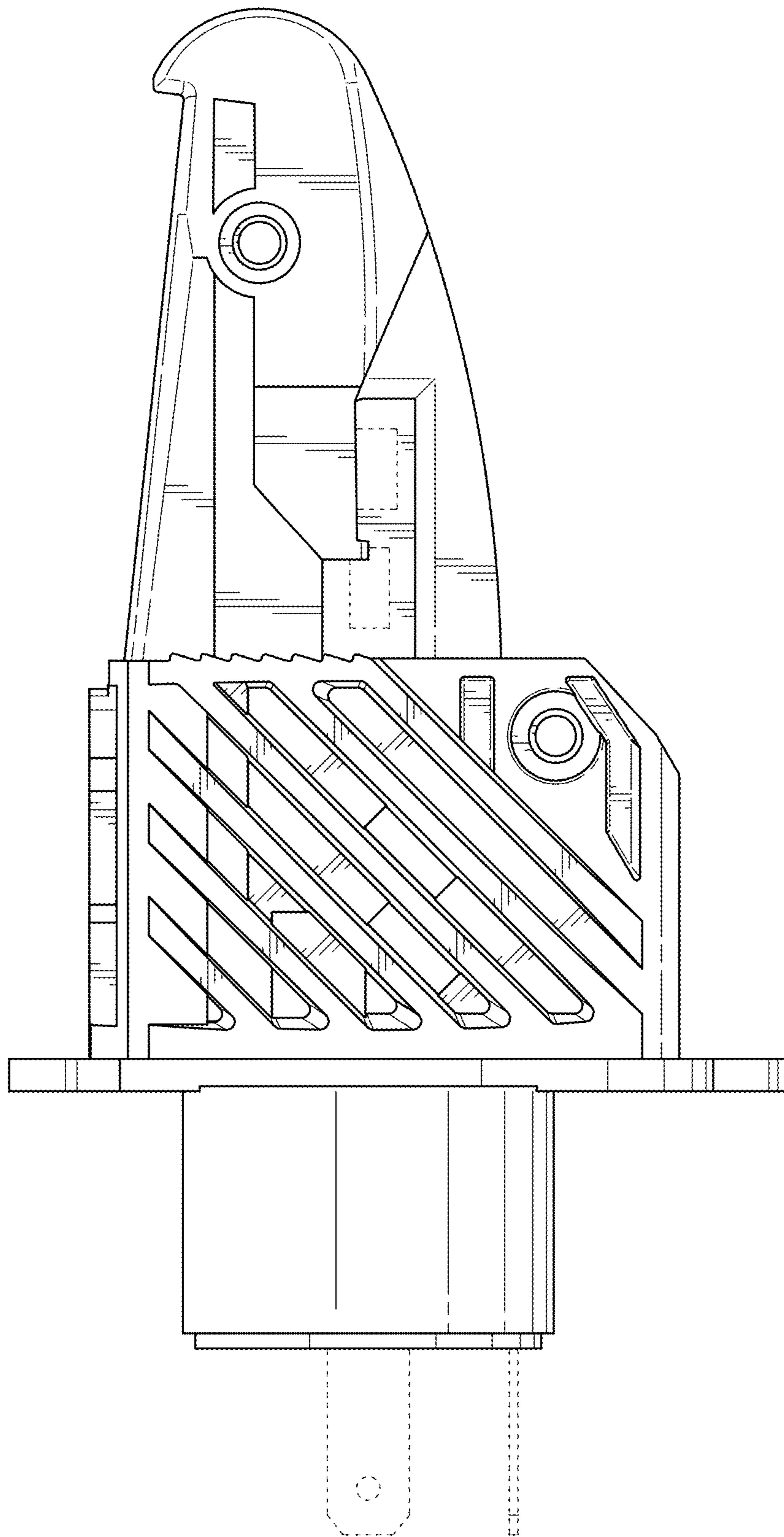


FIG. 3

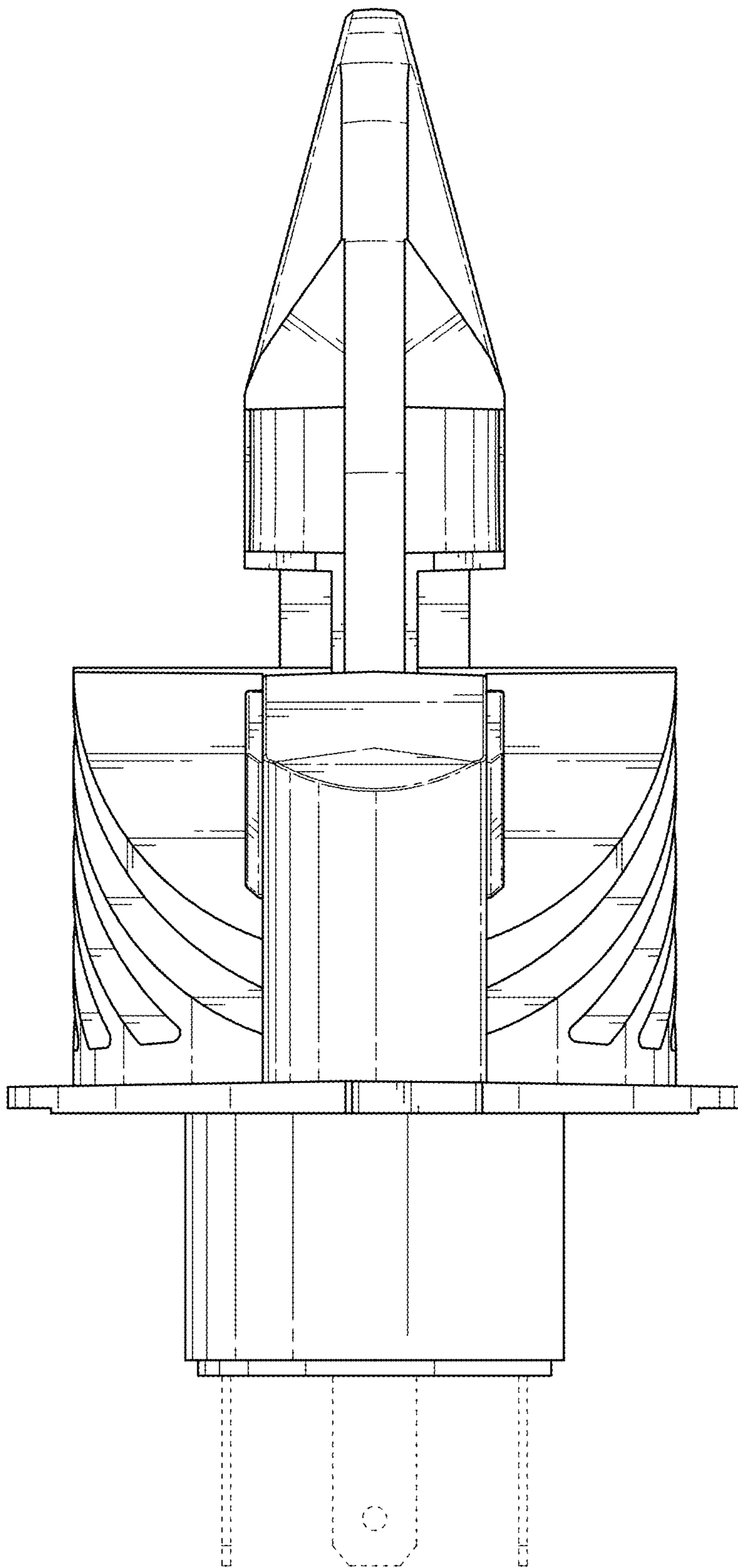


FIG. 4

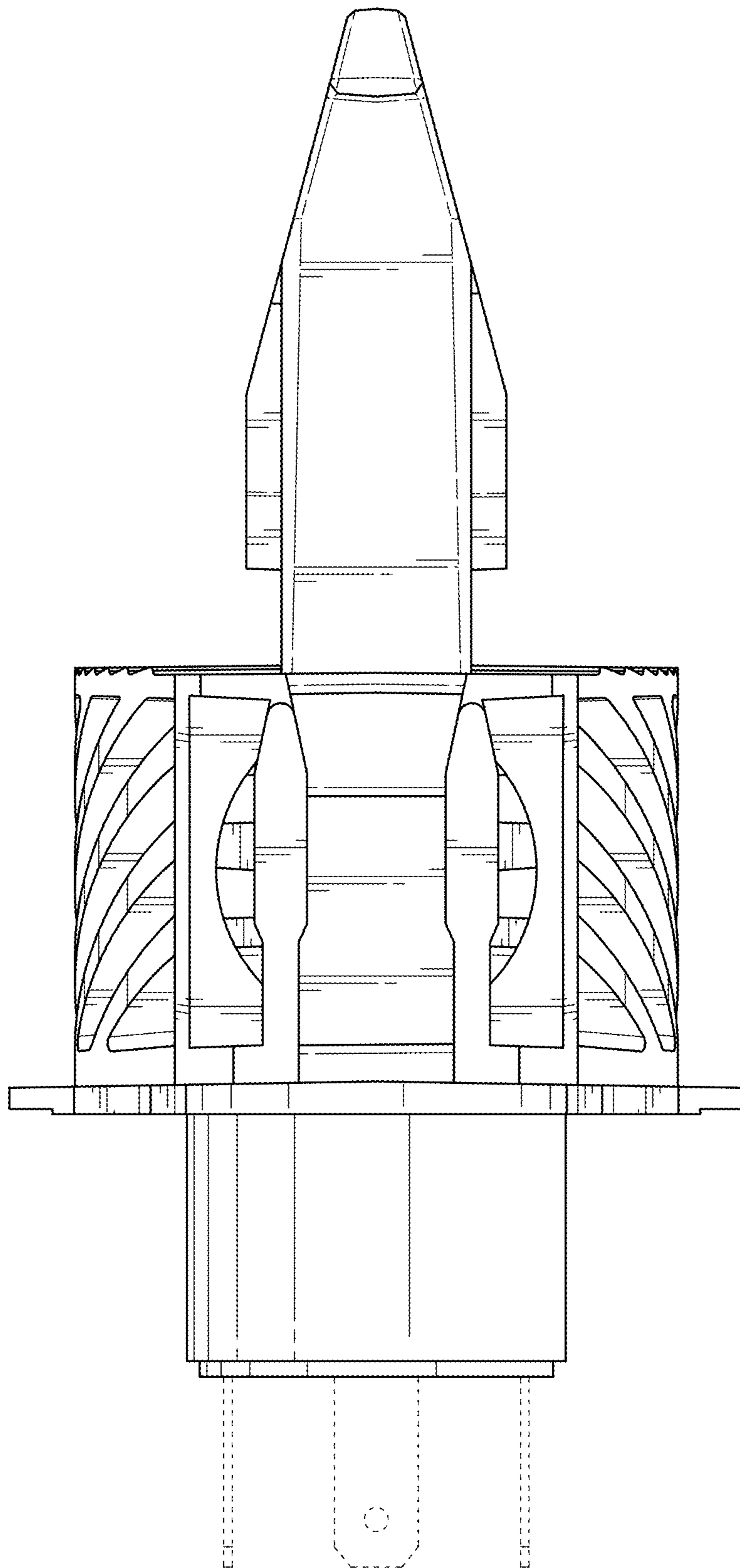


FIG. 5

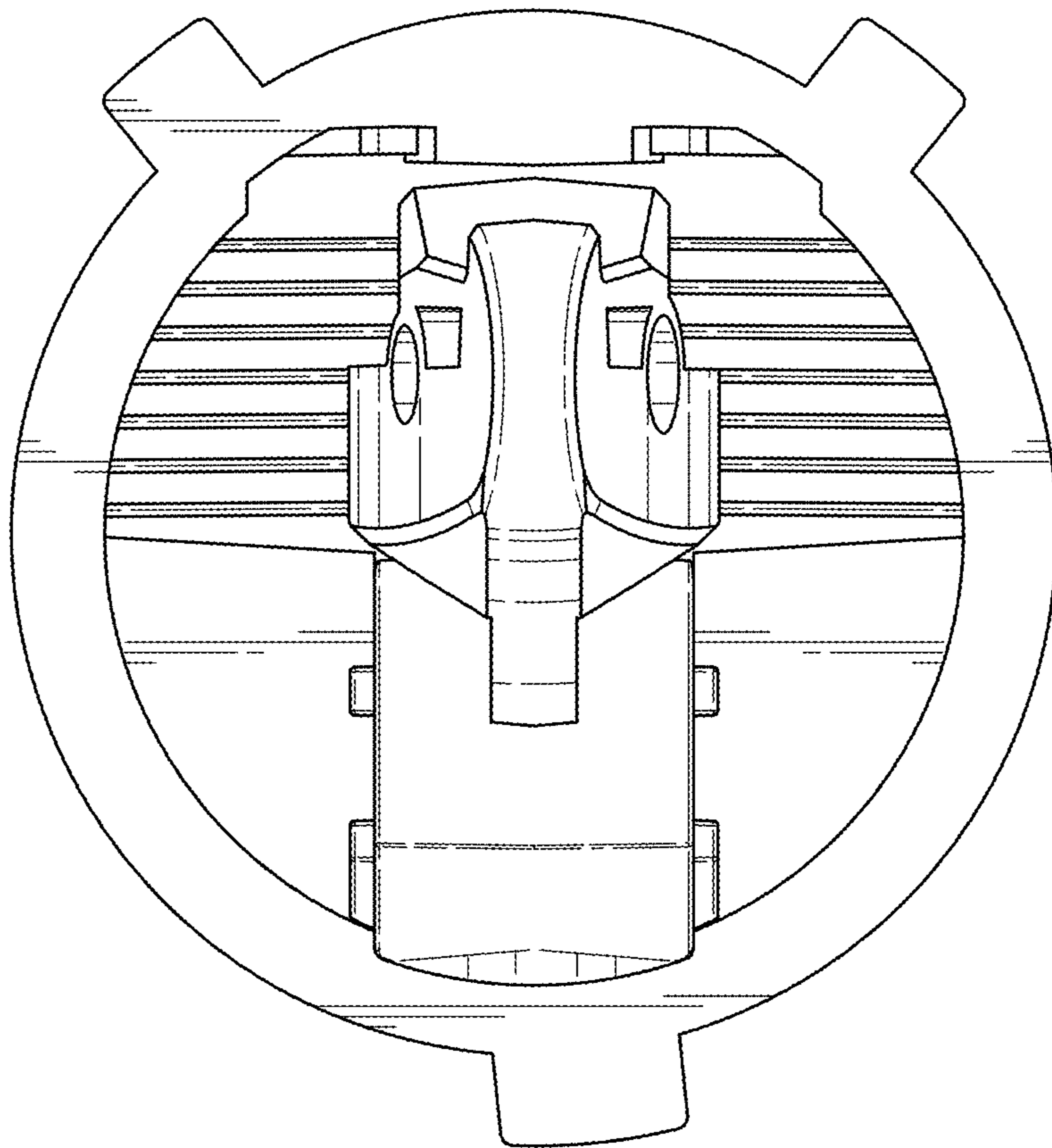


FIG. 6

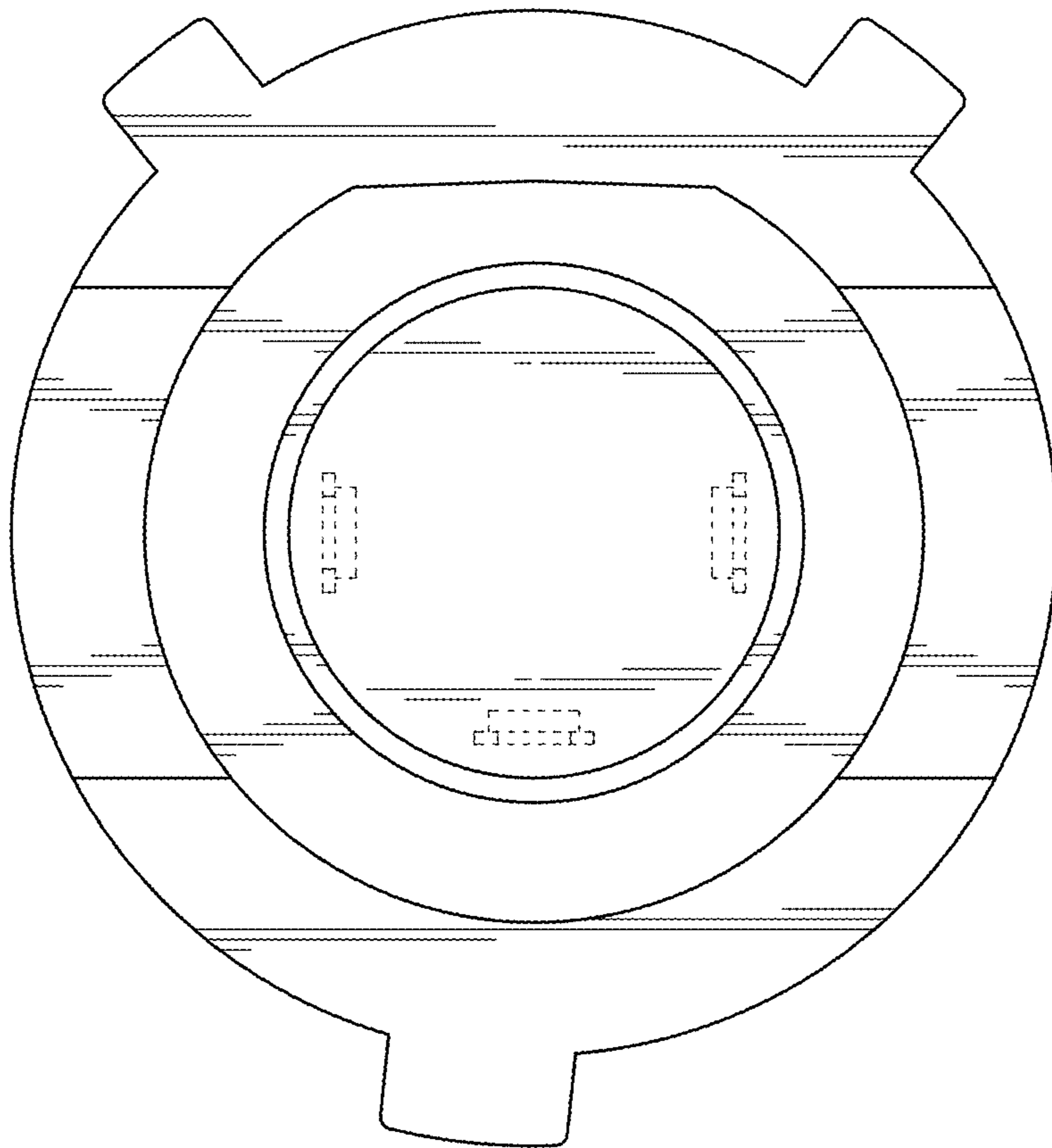


FIG. 7