



US00D898243S

(12) **United States Design Patent**
He

(10) **Patent No.:** **US D898,243 S**

(45) **Date of Patent:** **** Oct. 6, 2020**

(54) **HEADLIGHT**

(71) Applicant: **Ningbo Haichen Auto Parts CO., LTD**, Ningbo (CN)

(72) Inventor: **Qiyu He**, Ningbo (CN)

(**) Term: **15 Years**

(21) Appl. No.: **29/694,243**

(22) Filed: **Jun. 9, 2019**

(30) **Foreign Application Priority Data**

Apr. 15, 2019 (CN) 2019 3 0170505

Apr. 15, 2019 (CN) 2019 3 0170510

(51) **LOC (12) Cl.** **26-06**

(52) **U.S. Cl.**
USPC **D26/28**

(58) **Field of Classification Search**

USPC D26/28, 29, 30, 31, 32, 33, 34, 35, 36

CPC F21S 48/00; F21S 48/10; F21S 48/115;

F21S 48/225; F21S 48/1233; F21S

48/1266; F21S 48/1388; F21S 48/2268;

F21V 21/04; F21W 2103/35; F21W 3/40;

F21W 2102/17; F21W 2102/30; F21W

2103/00; F21W 2103/55; F21W 2104/00;

F21W 2107/17; F21W 2107/13

See application file for complete search history.

(56) **References Cited**

U.S. PATENT DOCUMENTS

D588,728 S * 3/2009 Hsu D26/28

D677,813 S * 3/2013 Hanaoka D26/28

D691,754 S *	10/2013	Chen	D26/28
D735,918 S *	8/2015	Kamiura	D26/28
D745,717 S *	12/2015	Wu	D26/28
D749,251 S *	2/2016	Nakahara	D26/28
D831,245 S *	10/2018	Lin	D26/28
D842,506 S *	3/2019	Kim	D26/28
D858,812 S *	9/2019	Lin	D26/28
D869,707 S *	12/2019	Wu	D26/28
D870,328 S *	12/2019	Wu	D26/28
D875,283 S *	2/2020	He	D26/28
D882,129 S *	4/2020	Wu	D26/28

* cited by examiner

Primary Examiner — Angela J Lee

(74) *Attorney, Agent, or Firm* — W&K IP

(57) **CLAIM**

The ornamental design for a headlight, as shown and described.

DESCRIPTION

FIG. 1 is a perspective view of a headlight;

FIG. 2 is another perspective view thereof;

FIG. 3 is a front elevational view thereof;

FIG. 4 is a rear elevational view thereof;

FIG. 5 is a left elevational view thereof;

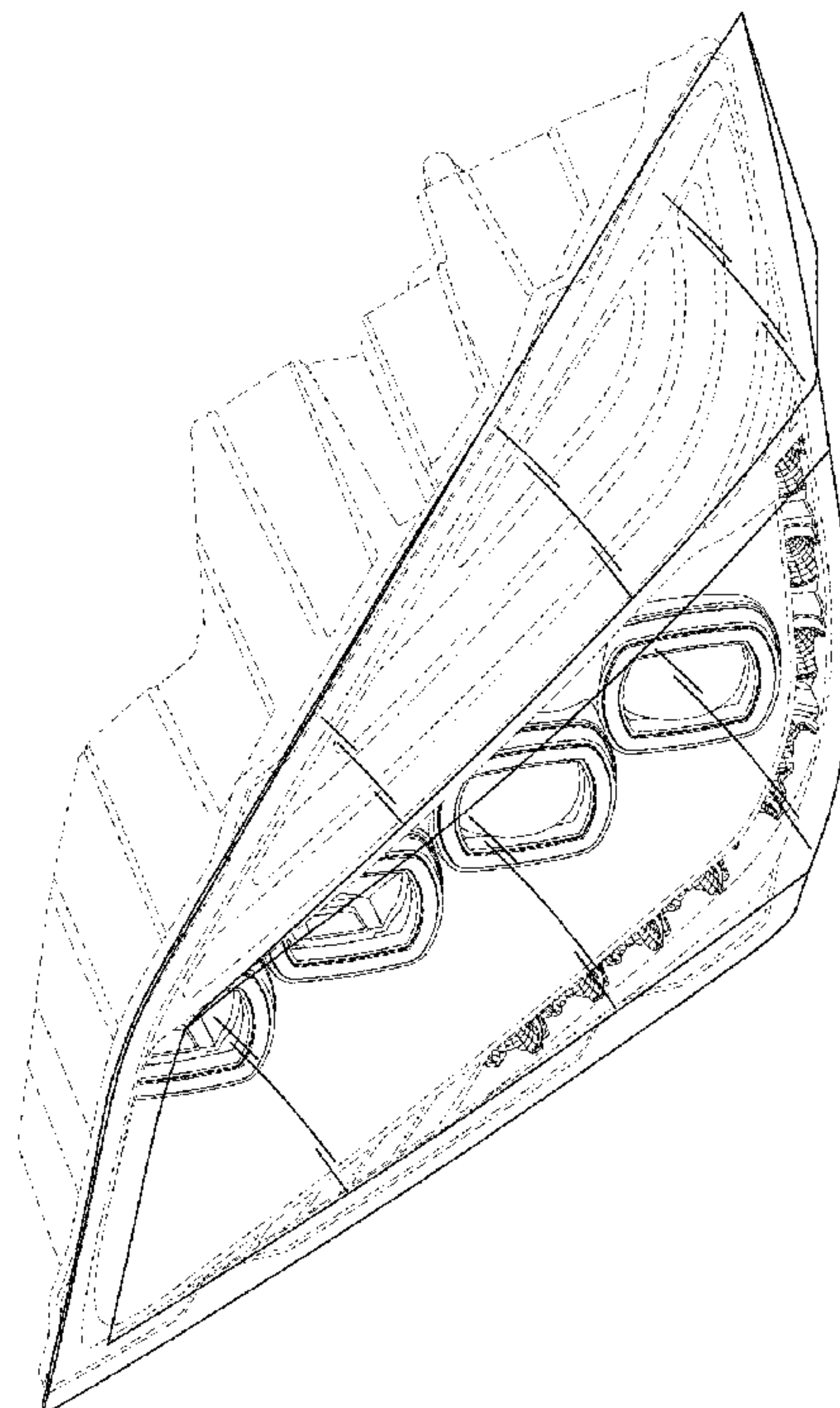
FIG. 6 is a right elevational view thereof;

FIG. 7 is a top plan view thereof; and,

FIG. 8 is a bottom plan view thereof.

The broken lines where present illustrate portions of the headlight that form no part of the claimed design.

1 Claim, 8 Drawing Sheets



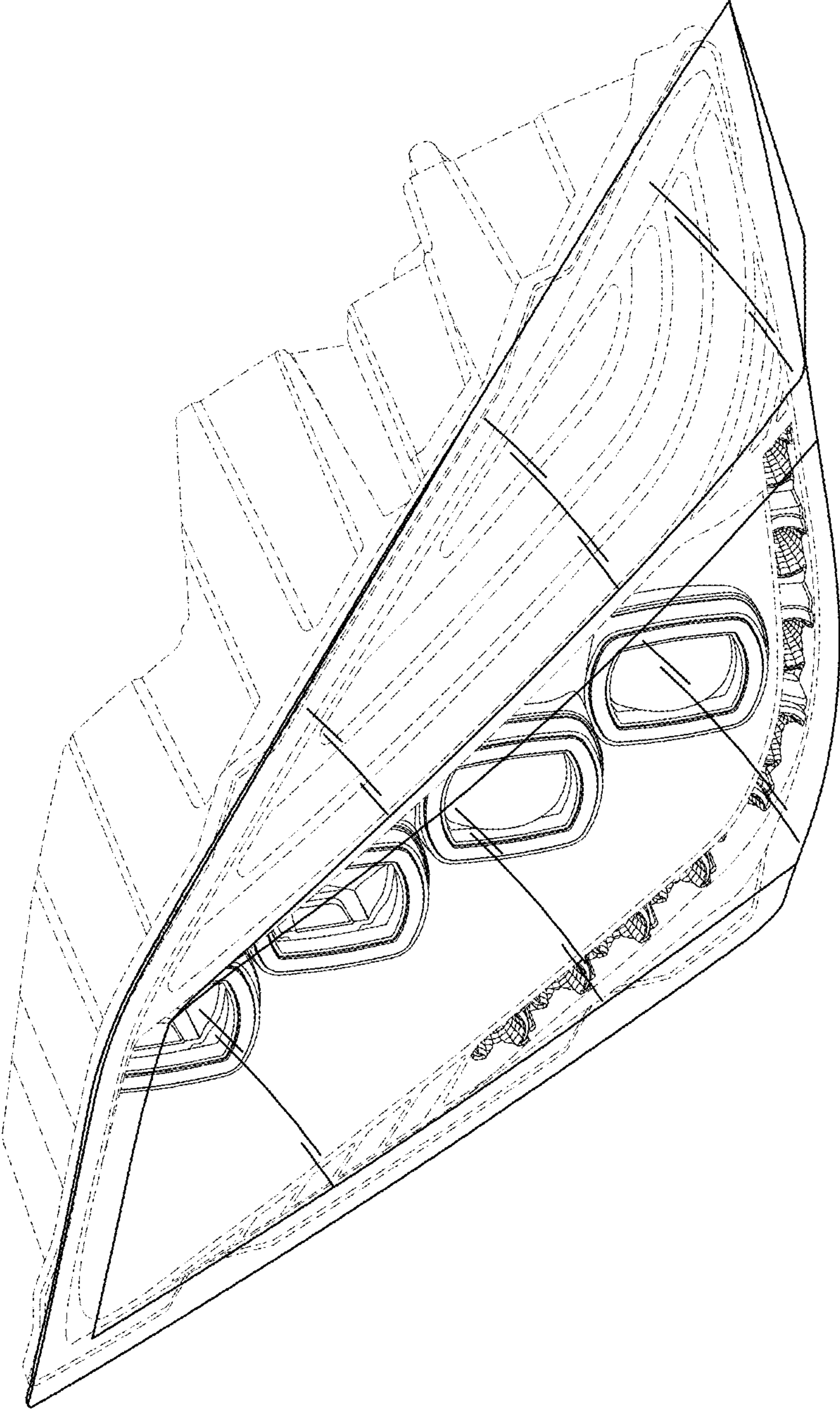


FIG.1

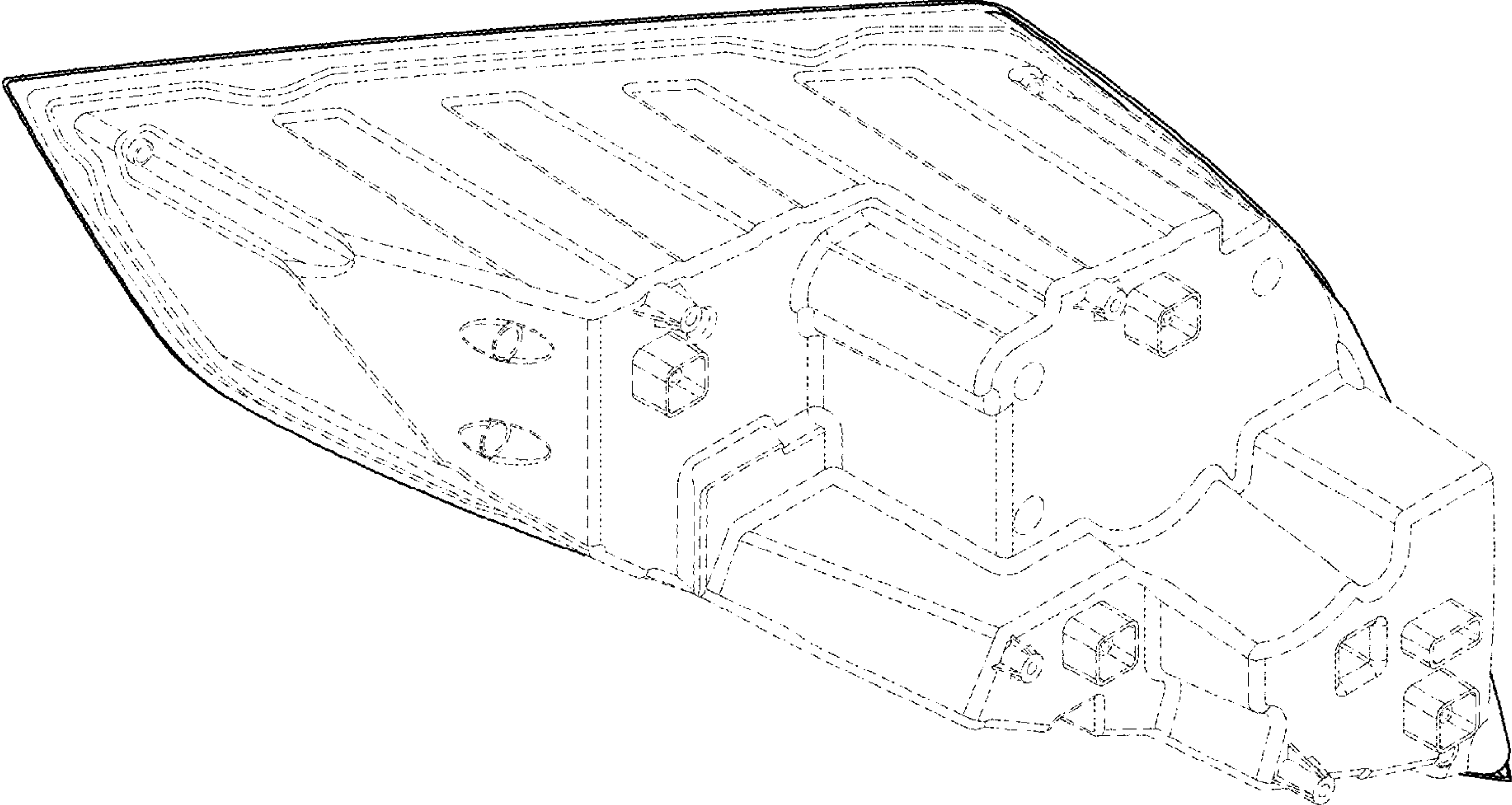


FIG.2

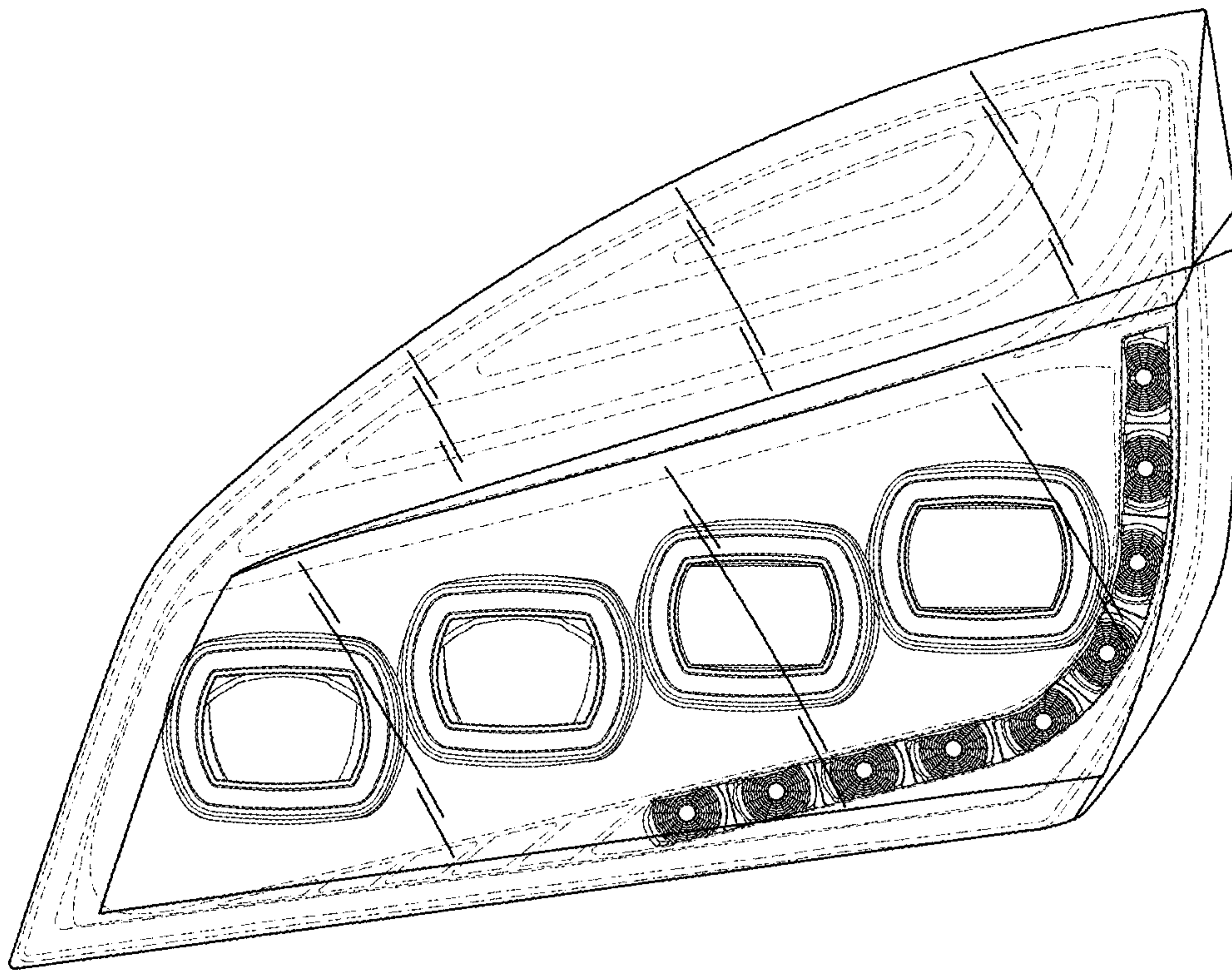


FIG.3

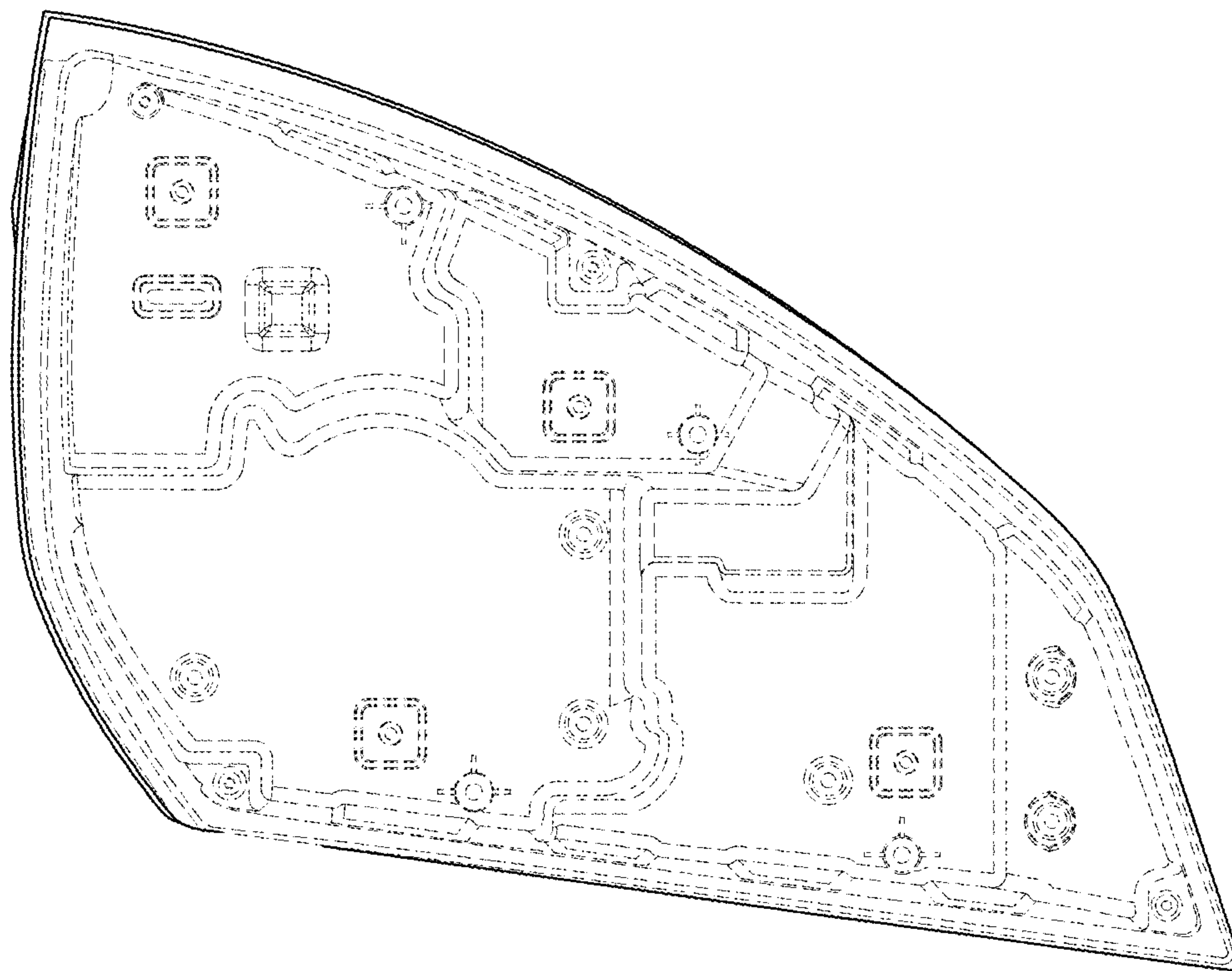


FIG.4

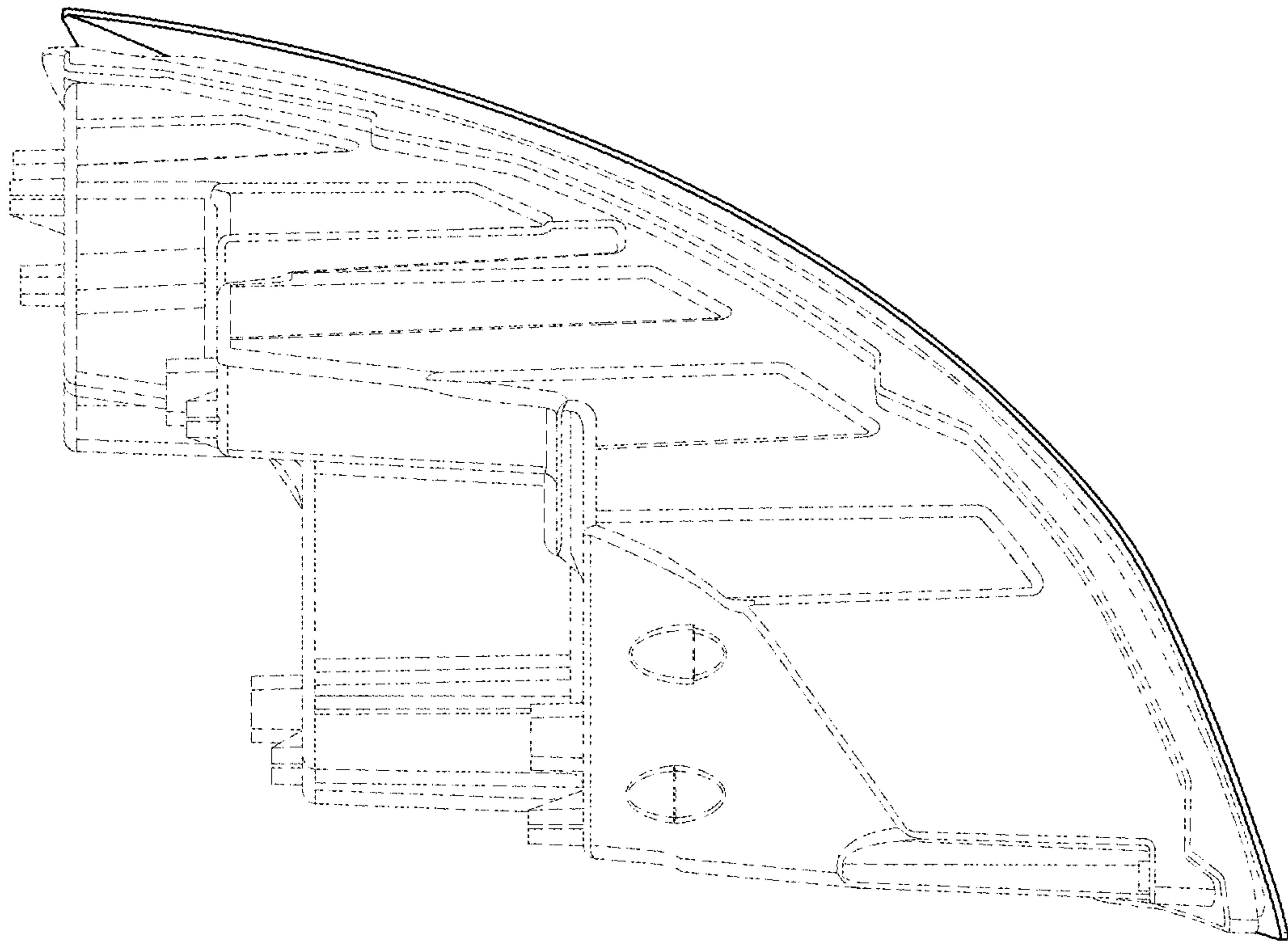


FIG.5

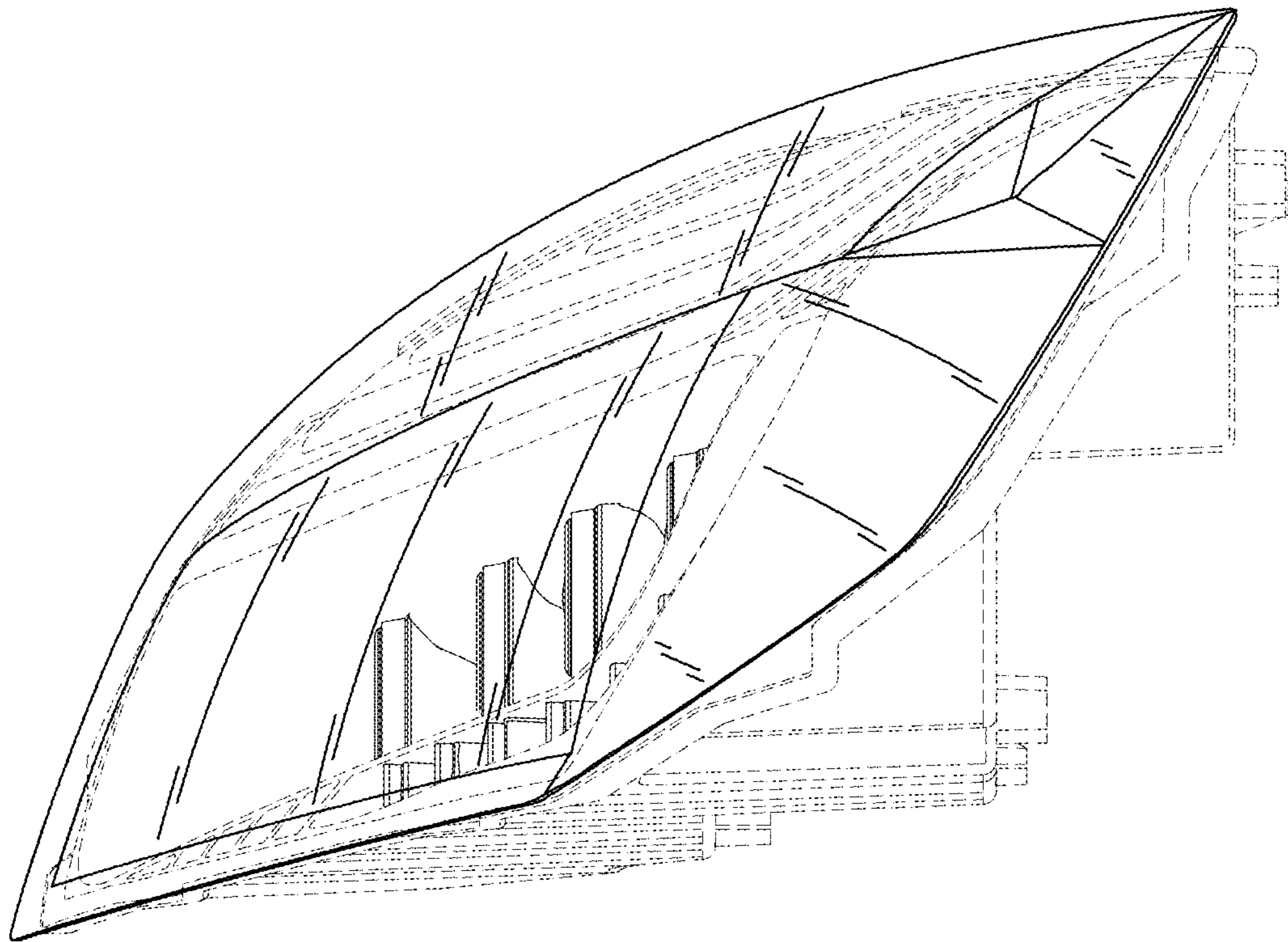


FIG.6

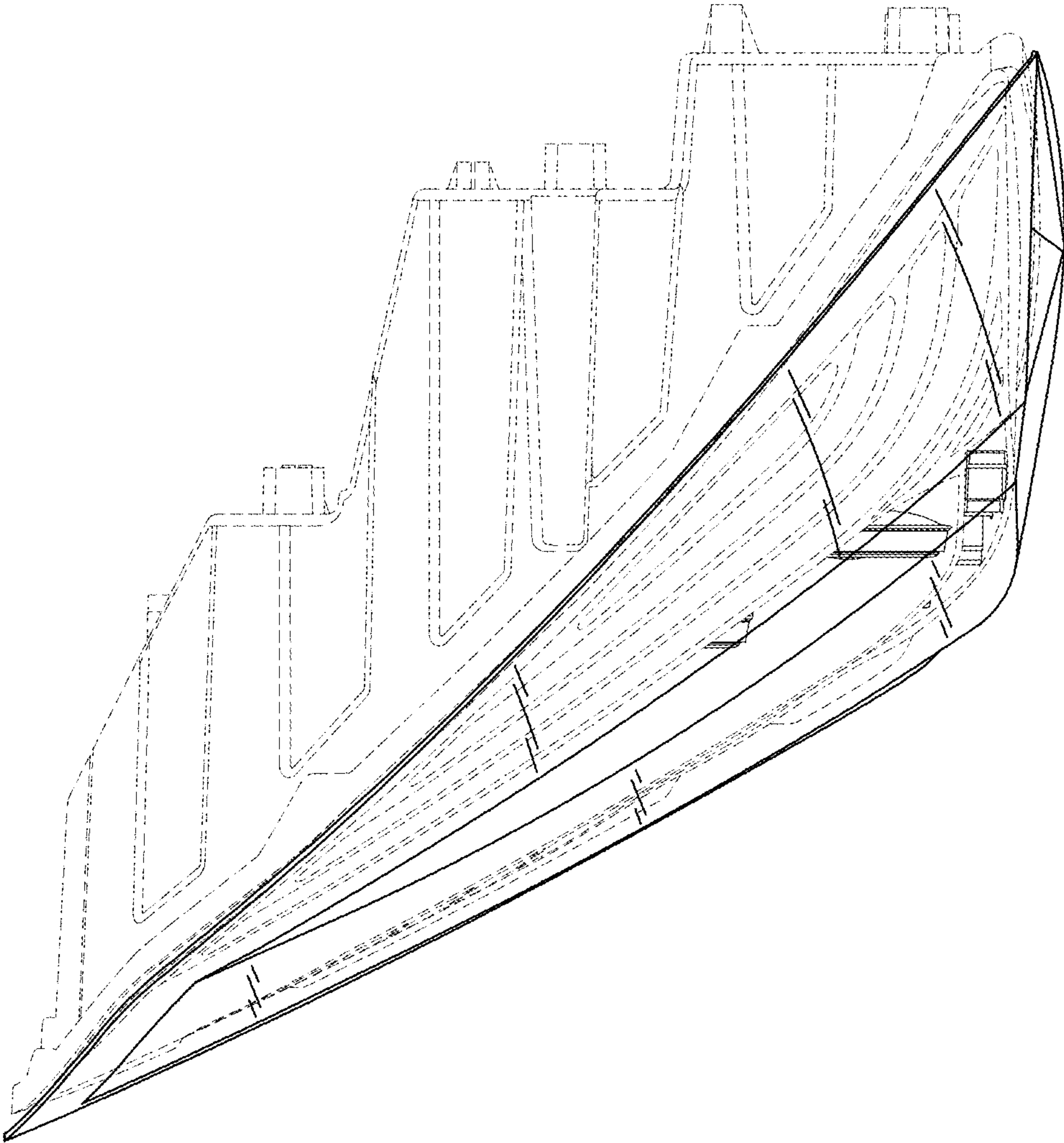


FIG.7

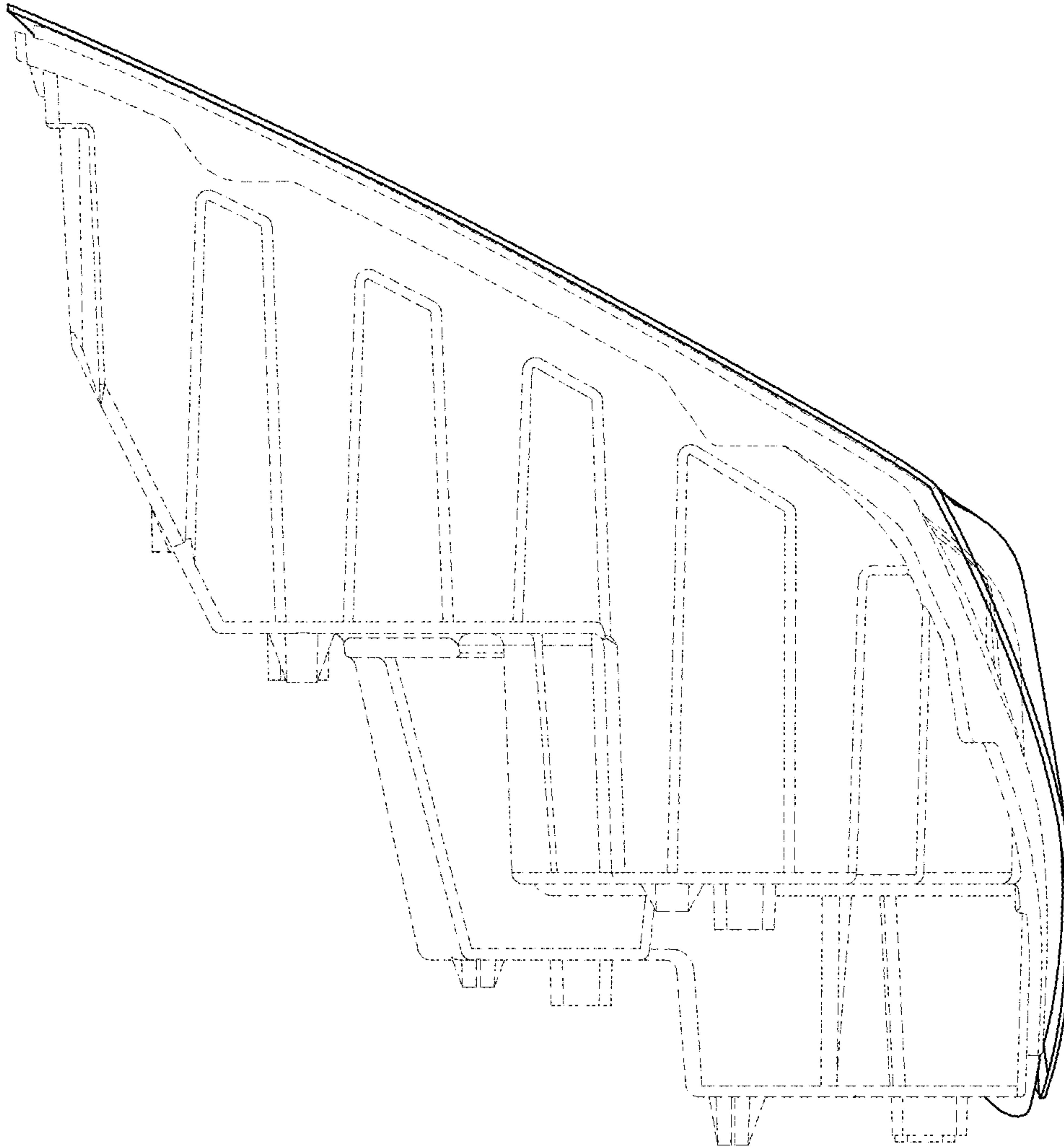


FIG.8