



US00D898242S

(12) **United States Design Patent**
Mori

(10) **Patent No.:** **US D898,242 S**

(45) **Date of Patent:** **** Oct. 6, 2020**

(54) **FRONT COMBINATION LAMP FOR VEHICLES**

(71) Applicant: **KABUSHIKI KAISHA TOYOTA JIDOSHOKKI**, Kariya-shi, Aichi-ken (JP)

(72) Inventor: **Hiroki Mori**, Kariya (JP)

(73) Assignee: **KABUSHIKI KAISHA TOYOTA JIDOSHOKKI**, Kariya-shi, Aichi-ken (JP)

(**) Term: **15 Years**

(21) Appl. No.: **29/693,831**

(22) Filed: **Jun. 5, 2019**

(30) **Foreign Application Priority Data**

Dec. 6, 2018 (JP) 2018-026599

(51) **LOC (12) Cl.** **26-06**

(52) **U.S. Cl.**
USPC **D26/28**

(58) **Field of Classification Search**
USPC D26/28, 29, 30, 31, 32, 33, 34, 35, 36
CPC F21S 48/00; F21S 48/10; F21S 48/115;
F21S 48/225; F21S 48/1233; F21S 48/1266; F21S 48/1388; F21S 48/2268;
F21V 21/04; F21W 2103/35; F21W 3/40;
F21W 2102/17; F21W 2102/30; F21W 2103/00; F21W 2103/55; F21W 2104/00;
F21W 2107/17; F21W 2107/13

See application file for complete search history.

(56) **References Cited**

U.S. PATENT DOCUMENTS

D288,246 S * 2/1987 Wing D10/120
D756,008 S * 5/2016 Wilson D26/31

D825,794 S * 8/2018 Zheng D26/28
D840,078 S * 2/2019 Marshall D26/60
D840,079 S * 2/2019 Marshall D26/60
D845,523 S * 4/2019 Vetter D26/31
D857,263 S * 8/2019 Goodrich D26/28
D869,019 S * 12/2019 Benoit D26/28
D869,036 S * 12/2019 Brockie D26/60
D874,041 S * 1/2020 Craze D26/28

* cited by examiner

Primary Examiner — Angela J Lee

(74) *Attorney, Agent, or Firm* — Sughrue Mion, PLLC

(57) **CLAIM**

The ornamental design for a front combination lamp for vehicles, as shown and described.

DESCRIPTION

FIG. 1 is a front perspective view of a first embodiment of a front combination lamp for vehicles showing our new design;

FIG. 2 is a rear perspective view thereof;

FIG. 3 is a front view thereof;

FIG. 4 is a rear view thereof;

FIG. 5 is a top plan view thereof;

FIG. 6 is a bottom view thereof;

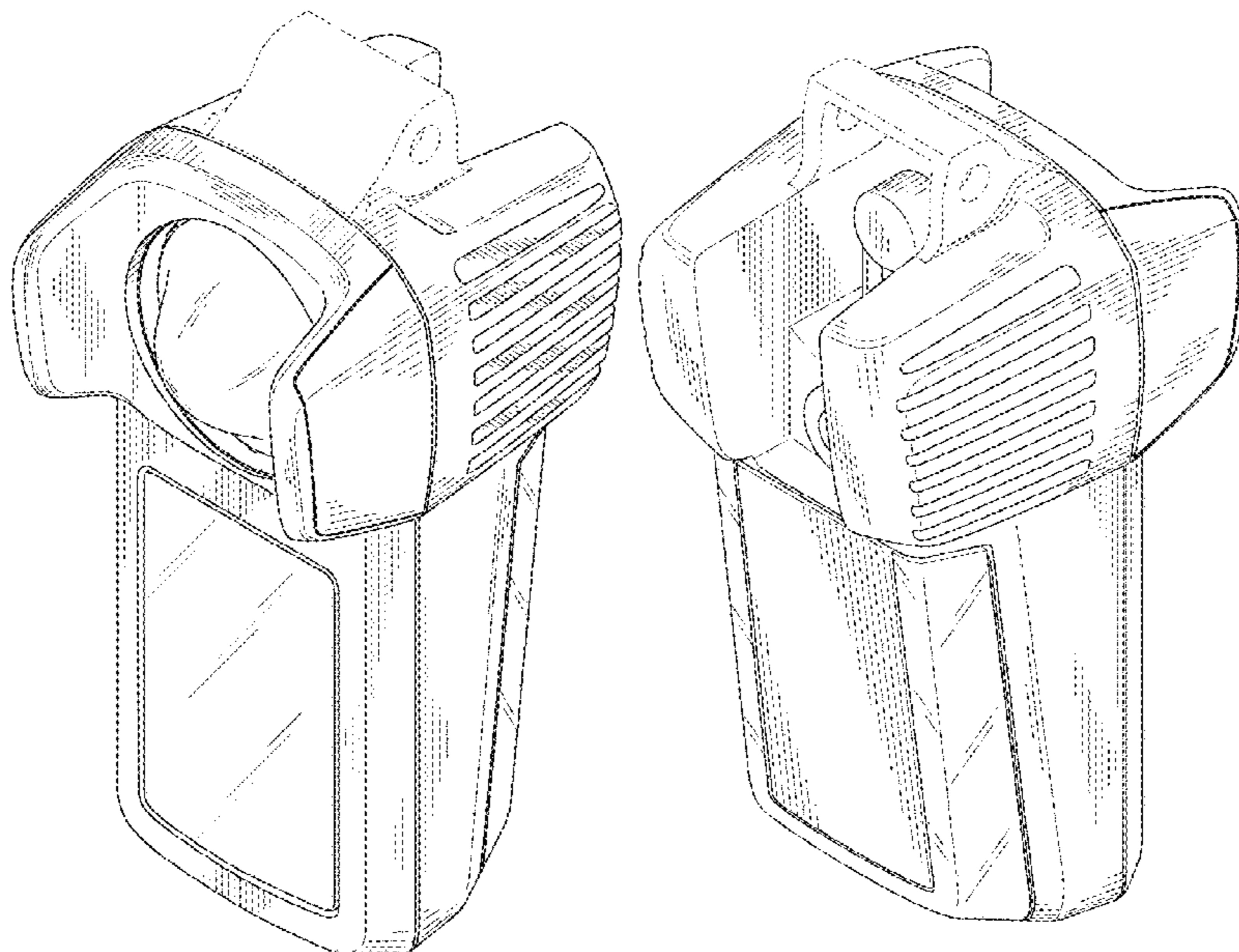
FIG. 7 is a right side view thereof;

FIG. 8 is a left side view thereof; and,

FIG. 9 is an enlarged sectional view taken along the line 9-9 in FIG. 4 defined by the lines 9'-9'.

The features shown in broken line depict environmental subject matter only and form no part of the claimed design. The alternate long and short dash lines are merely the boundary lines between the claimed parts and the non-claimed parts.

1 Claim, 9 Drawing Sheets



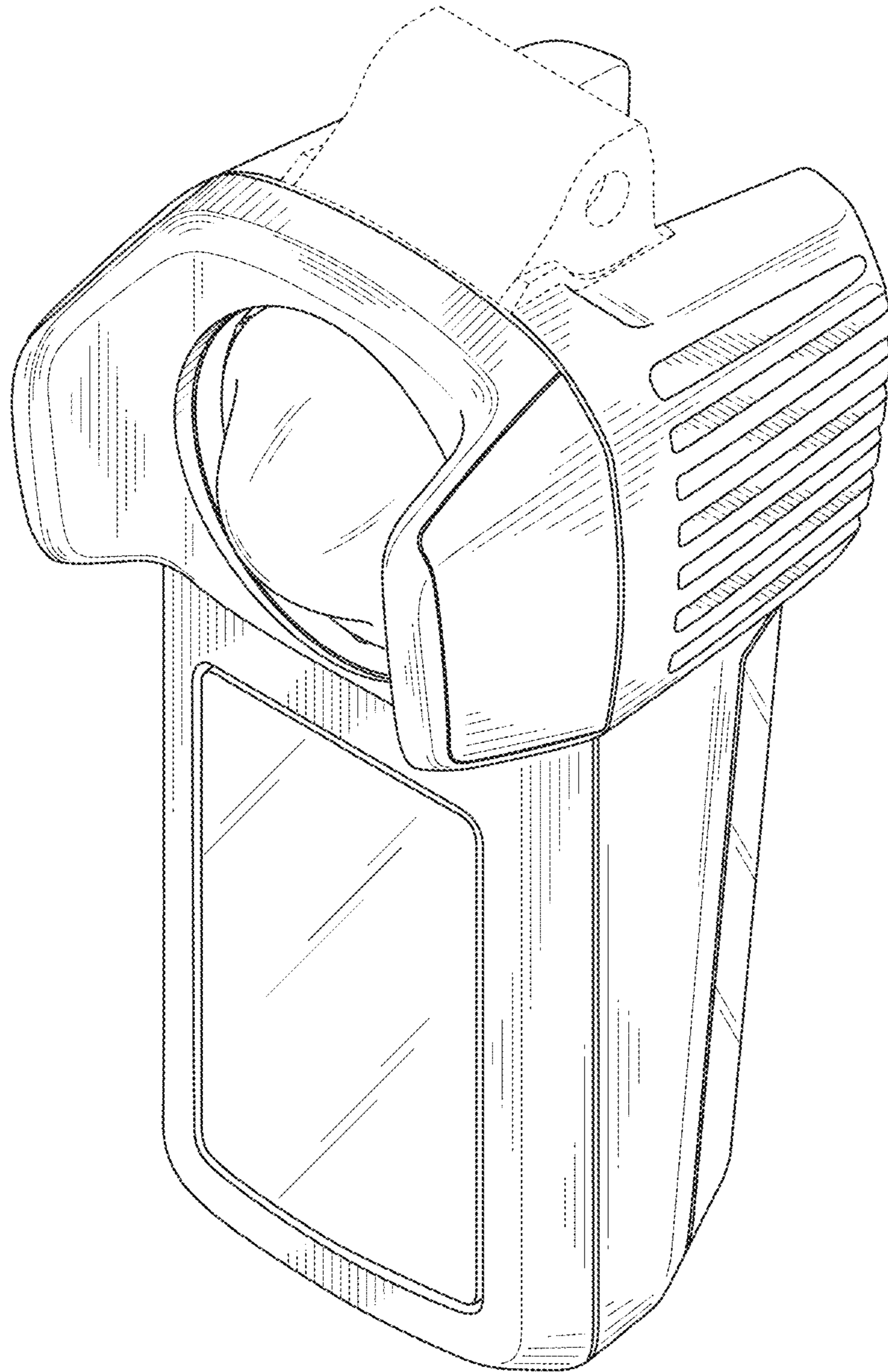


FIG. 1

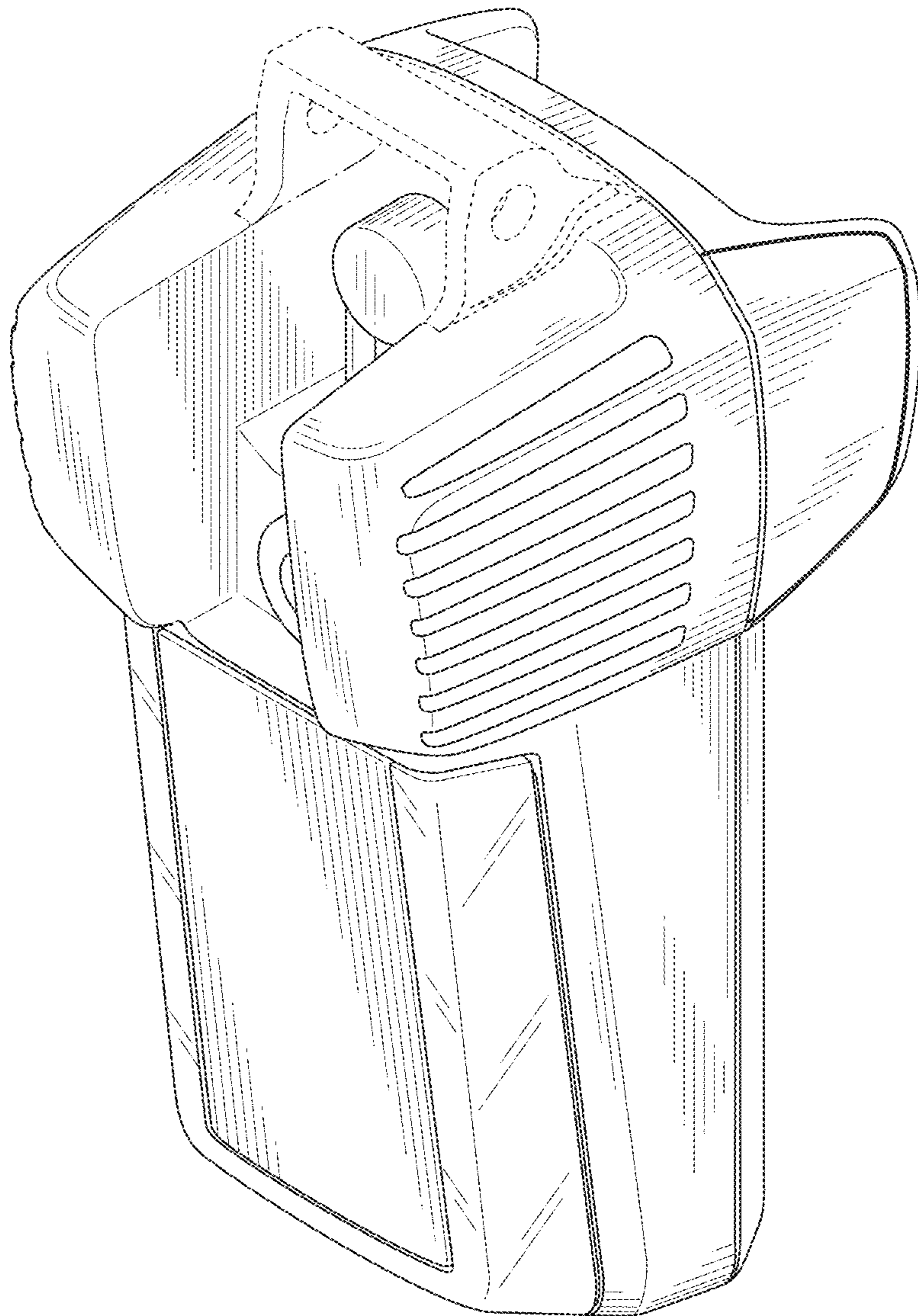


FIG. 2

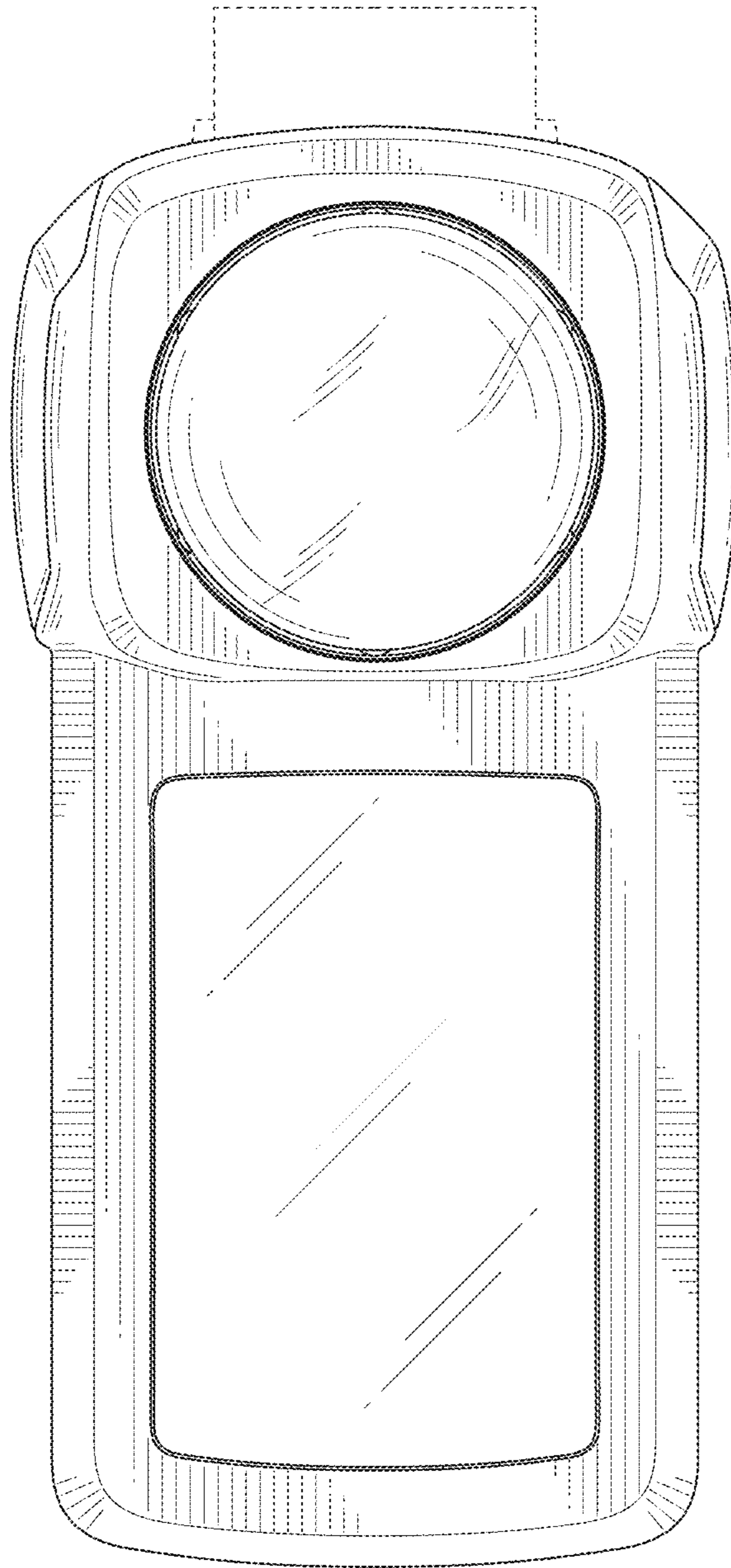


FIG. 3

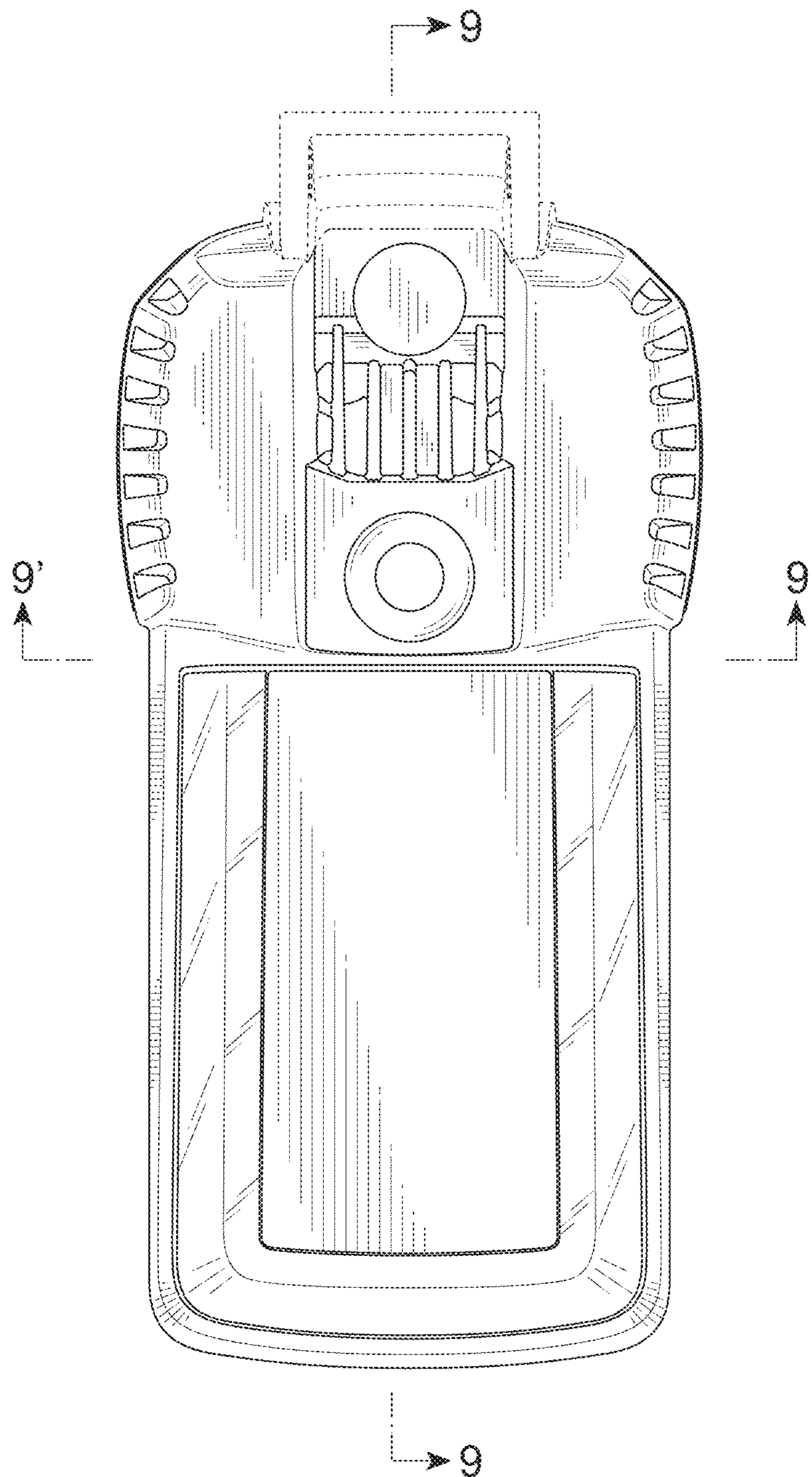


FIG. 4

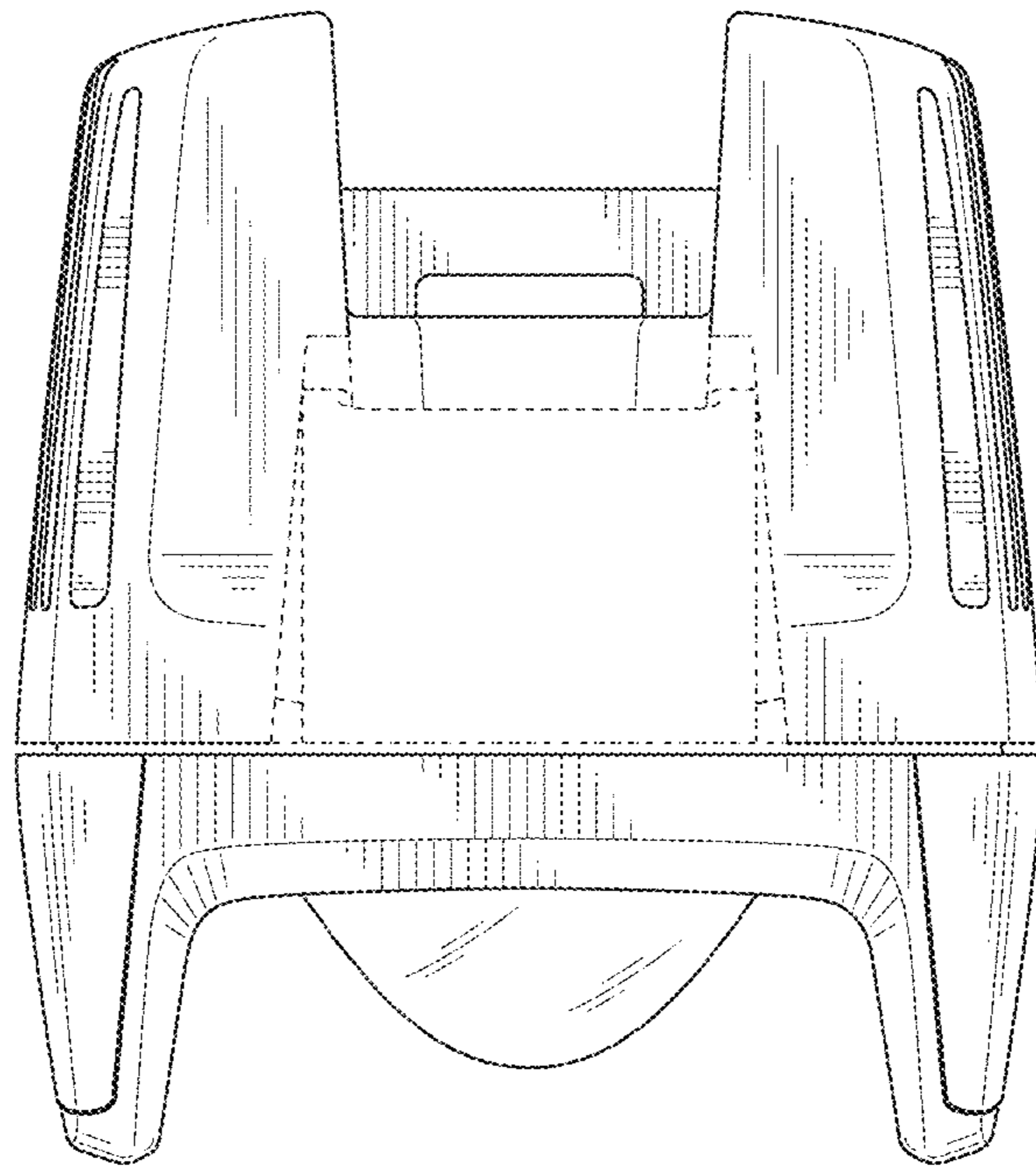


FIG. 5

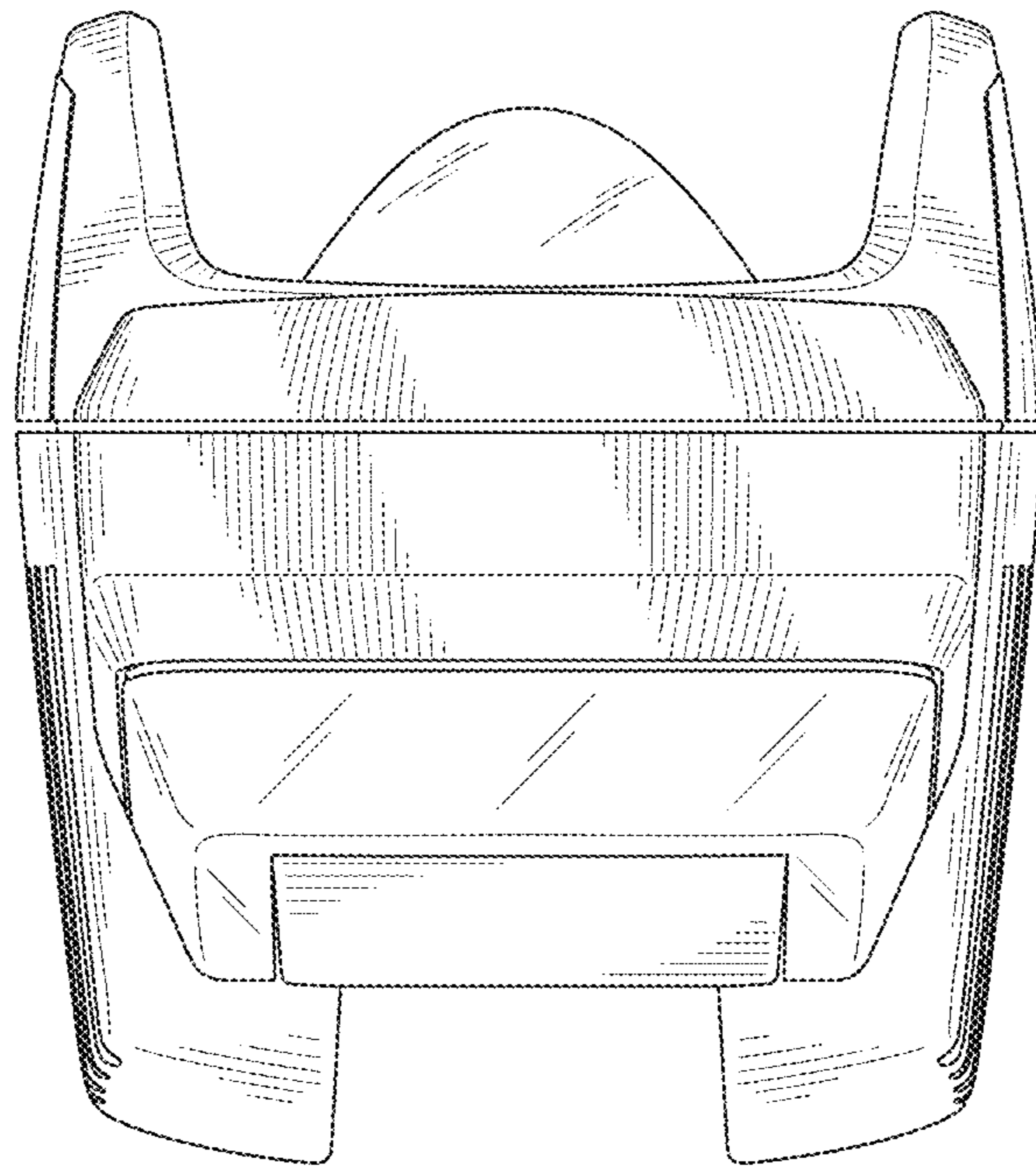


FIG. 6

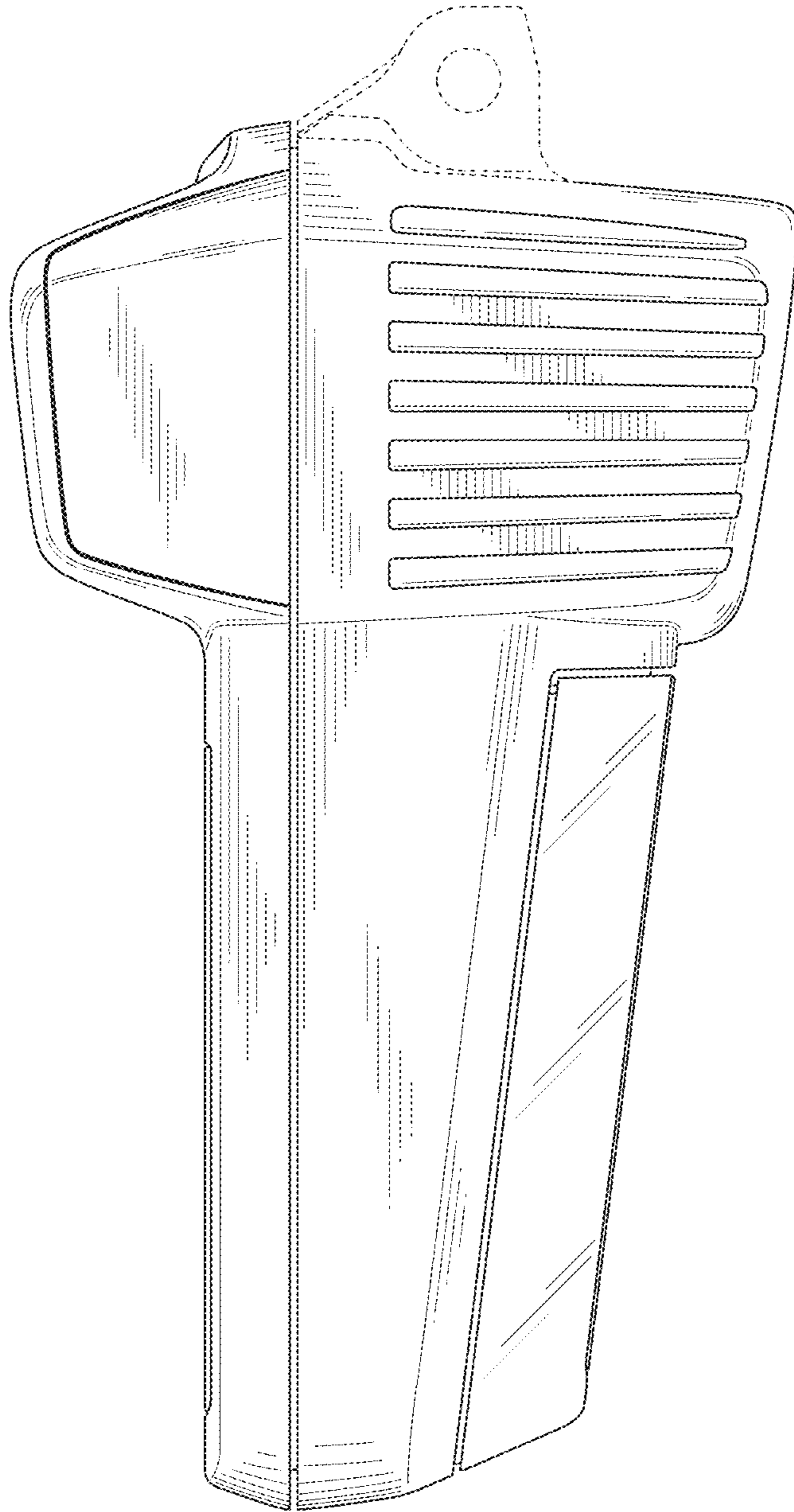


FIG. 7

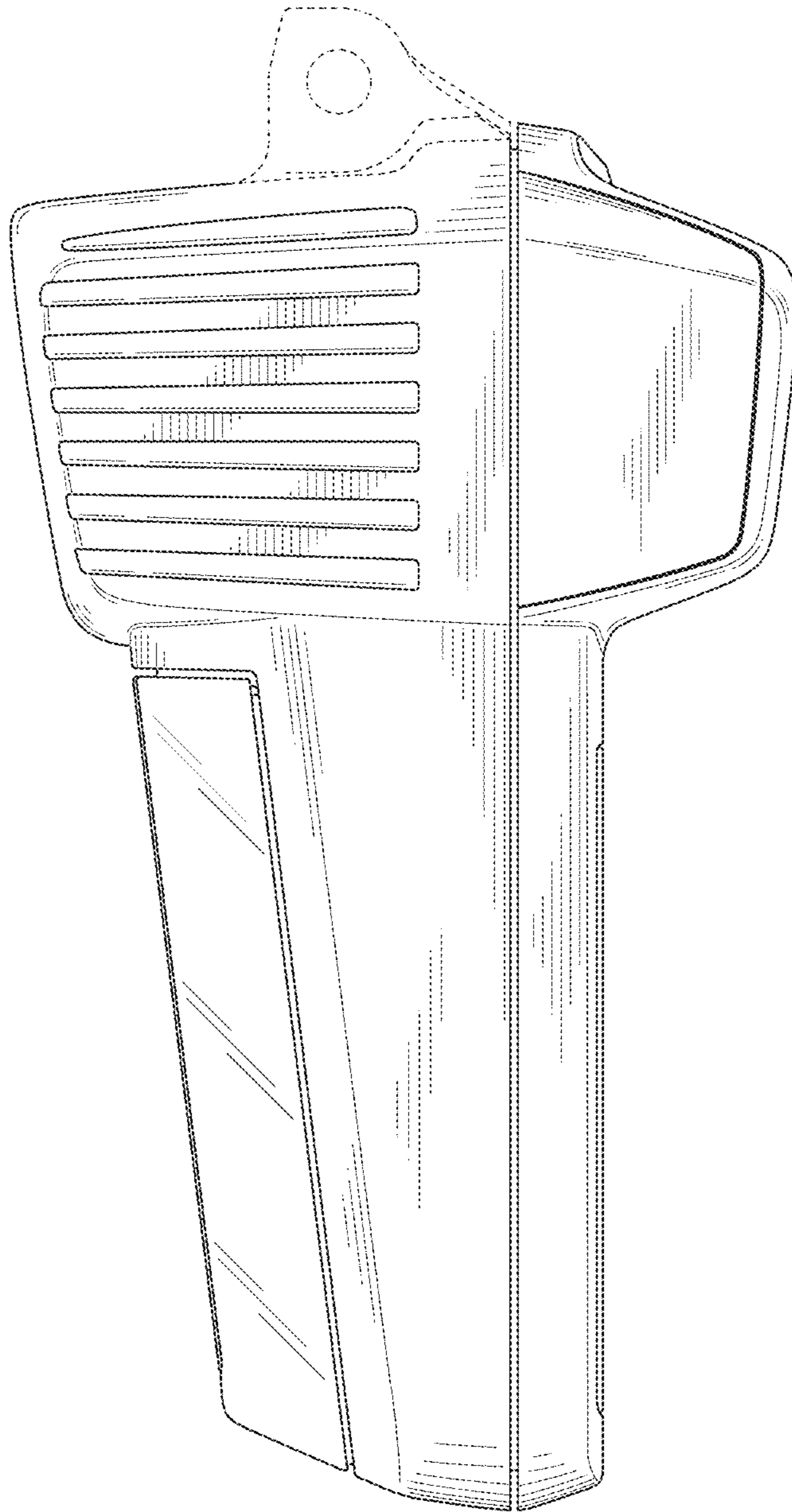


FIG. 8

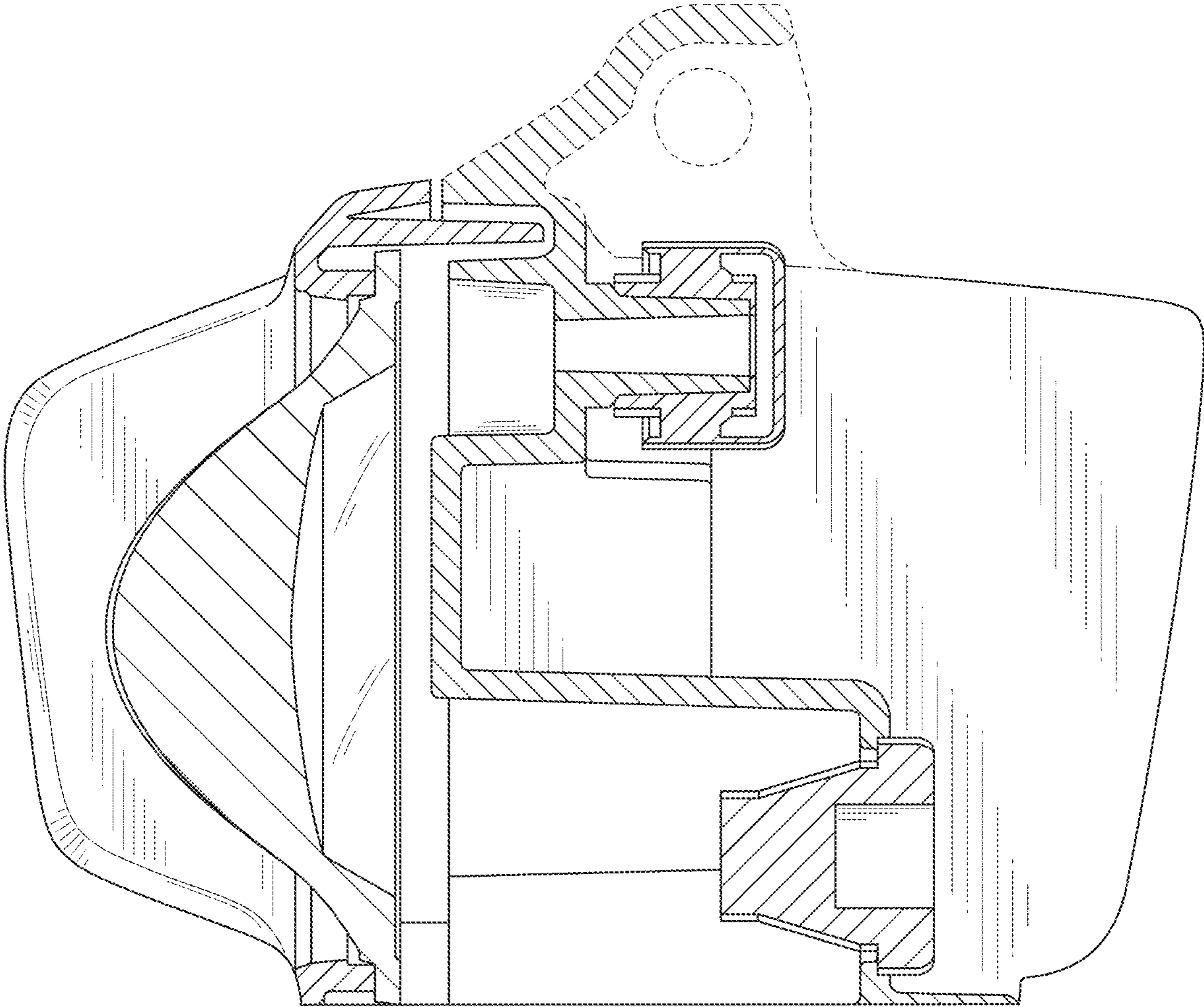


FIG. 9