



US00D898241S

(12) **United States Design Patent**
Sugiyama

(10) **Patent No.:** **US D898,241 S**

(45) **Date of Patent:** **** Oct. 6, 2020**

(54) **REAR COMBINATION LAMP FOR AN
AUTOMOBILE**

(71) Applicant: **HONDA MOTOR CO., LTD.**, Tokyo
(JP)

(72) Inventor: **Tabito Sugiyama**, Wako (JP)

(73) Assignee: **HONDA MOTOR CO., LTD.**, Tokyo
(JP)

(**) Term: **15 Years**

(21) Appl. No.: **29/690,913**

(22) Filed: **May 13, 2019**

(30) **Foreign Application Priority Data**

Nov. 15, 2018 (JP) 2018-024935

(51) **LOC (12) Cl.** **26-06**

(52) **U.S. Cl.**
USPC **D26/28**

(58) **Field of Classification Search**
USPC D26/28-36, 139
CPC F21S 48/00; F21S 48/10; F21S 48/115;
F21S 48/225; F21S 48/1233; F21S
48/1266; F21S 48/1388; F21S 48/2268;
F21V 21/04; F21V 29/004; B60Q 9/13;
B60Q 9/135; B60Q 9/1375

See application file for complete search history.

(56) **References Cited**

U.S. PATENT DOCUMENTS

D550,380 S *	9/2007	Lin	D26/28
D560,832 S *	1/2008	Hsu	D26/28
D561,358 S *	2/2008	Tachibana	D26/28
D563,576 S *	3/2008	Hanaoka	D26/28
D570,007 S *	5/2008	Hsu	D26/28
D593,232 S *	5/2009	Koman	D26/28
D690,853 S *	10/2013	Huang	D26/28

* cited by examiner

Primary Examiner — Marcus A Jackson

(74) *Attorney, Agent, or Firm* — Westerman, Hattori,
Daniels & Adrian, LLP

(57) **CLAIM**

The ornamental design for a rear combination lamp for an automobile, as shown and described.

DESCRIPTION

FIG. 1 is a front side perspective view of a rear combination lamp for an automobile, showing my new design;

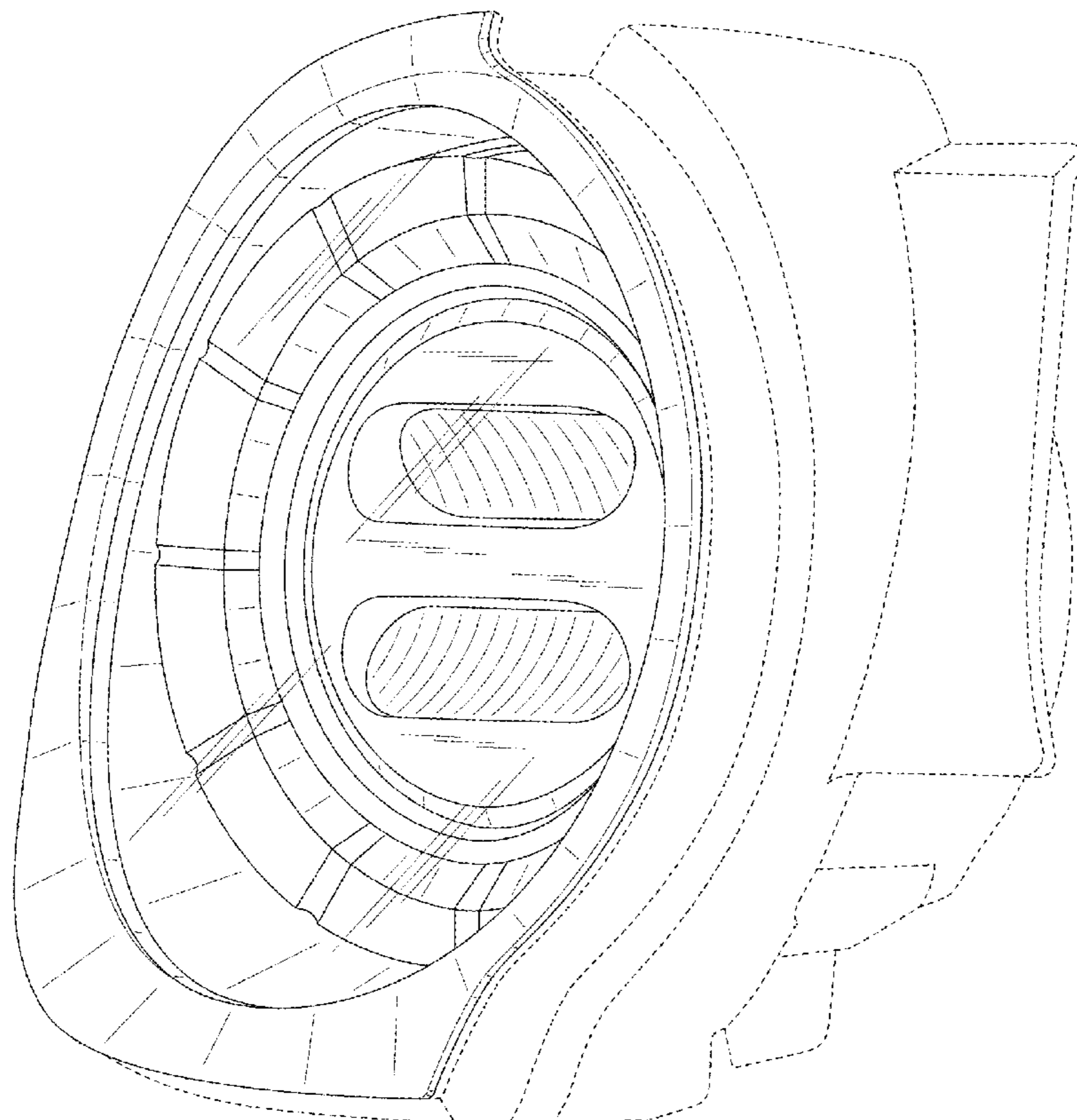
FIG. 2 is a front view thereof;

FIG. 3 is a left side view thereof; and,

FIG. 4 is a top plan view thereof.

The broken lines shown in the drawings illustrate portions of the rear combination lamp for an automobile that are environmental structures and form no part of the claimed design.

1 Claim, 4 Drawing Sheets



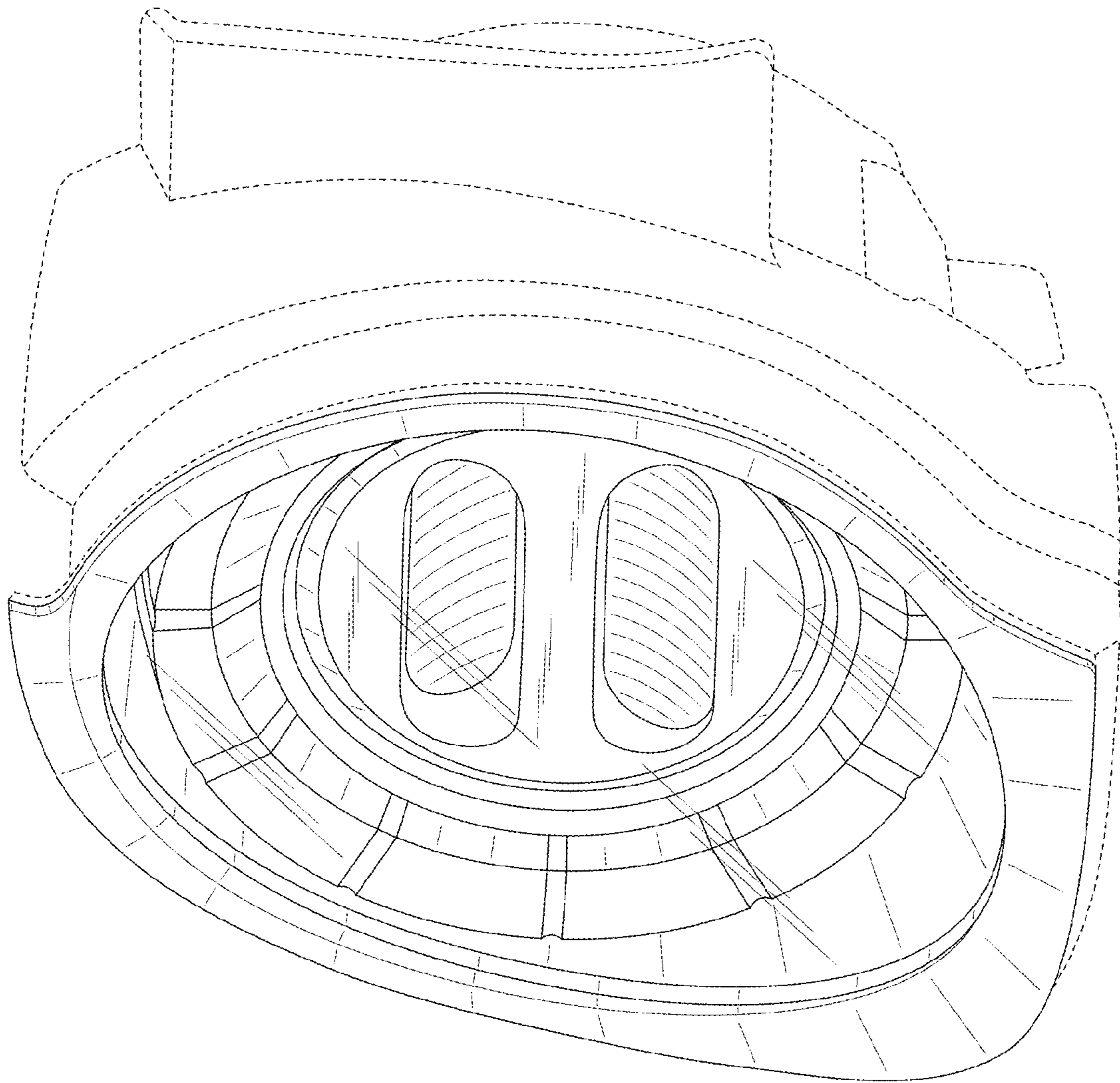


FIG. 1

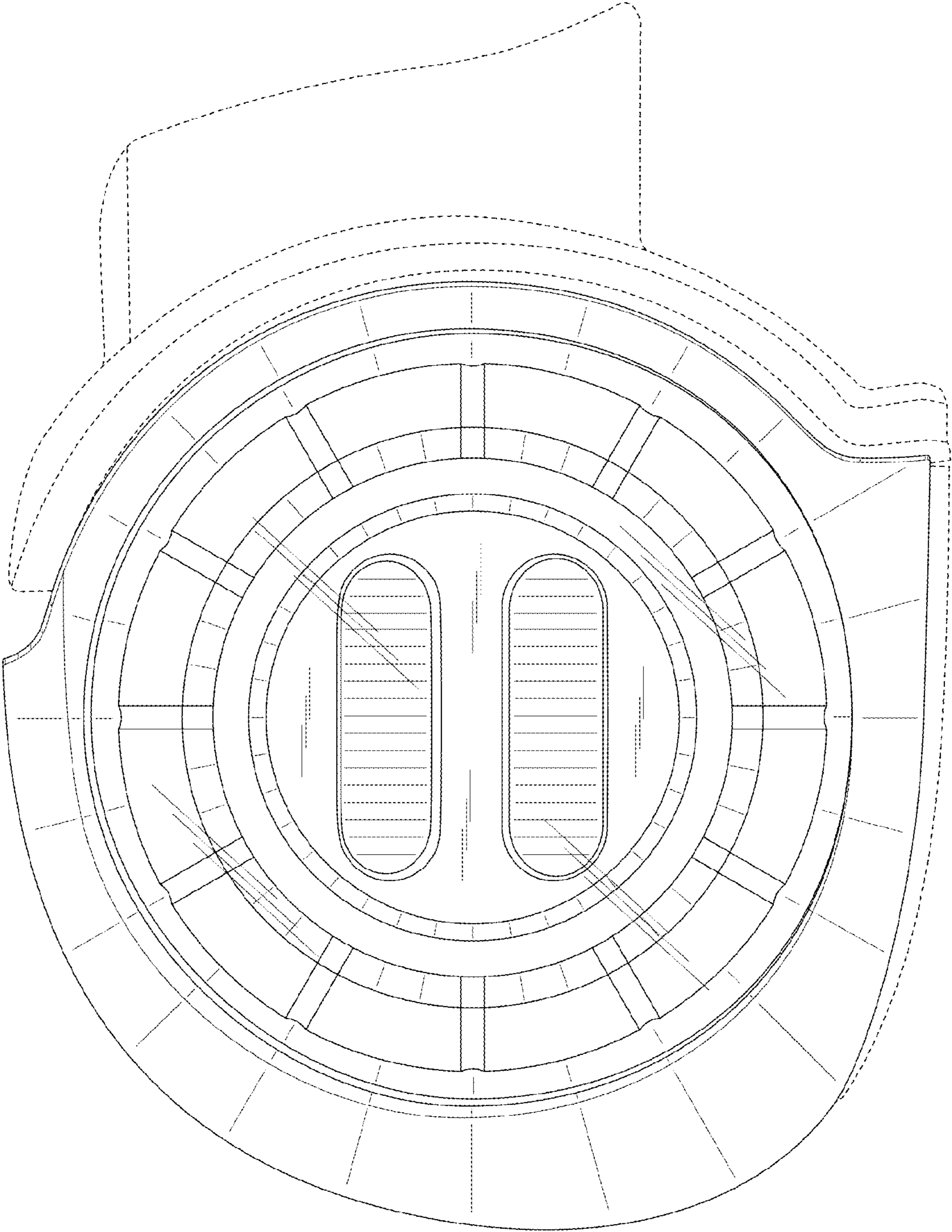


FIG.2

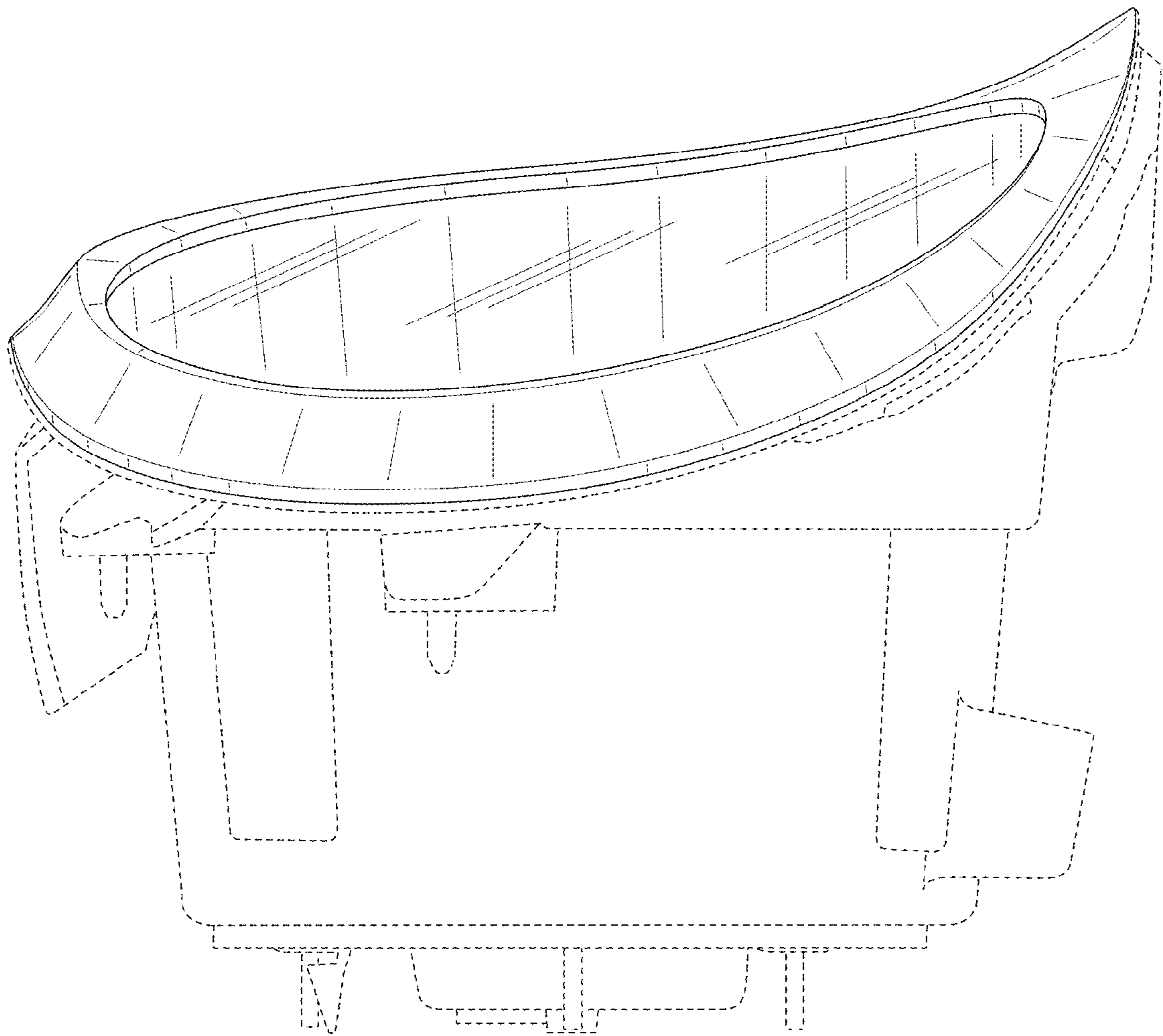


FIG.3

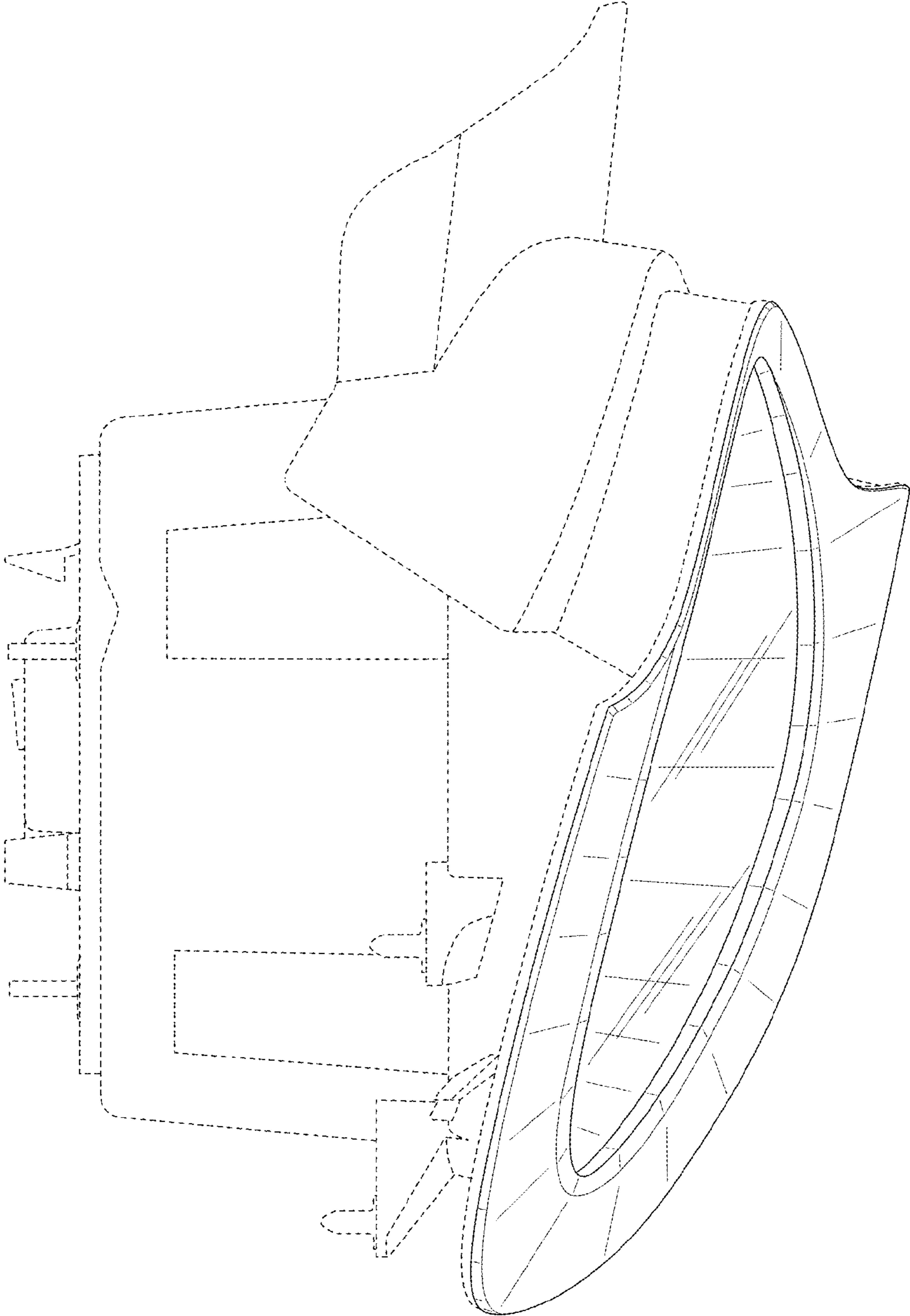


FIG.4