



US00D898238S

(12) **United States Design Patent**
McCurtis

(10) **Patent No.:** **US D898,238 S**

(45) **Date of Patent:** **** *Oct. 6, 2020**

(54) **HAIR DRYER**

(71) Applicant: **Martin McCurtis**, Jackson, MS (US)

(72) Inventor: **Martin McCurtis**, Jackson, MS (US)

(*) Notice: This patent is subject to a terminal disclaimer.

(**) Term: **15 Years**

(21) Appl. No.: **29/615,156**

(22) Filed: **Aug. 25, 2017**

(51) **LOC (12) Cl.** **28-03**

(52) **U.S. Cl.**
USPC **D26/16**

(58) **Field of Classification Search**
USPC D28/16-18
CPC A45D 20/00; A45D 20/12
See application file for complete search history.

(56) **References Cited**

U.S. PATENT DOCUMENTS

D314,065 S * 1/1991 Kakuya D28/17

D408,100 S * 4/1999 Minami D28/17
D474,562 S * 5/2003 Shimizu D28/16
D497,687 S * 10/2004 Takada D28/17

* cited by examiner

Primary Examiner — Marcus A Jackson

(74) *Attorney, Agent, or Firm* — Adam V. Vickers

(57) **CLAIM**

The ornamental design for a hair dryer, as shown and described.

DESCRIPTION

FIG. 1 is a top isometric view of a hair dryer in accordance with the present invention, with the cord broken away on the end to indicate indeterminate length;

FIG. 2 is a bottom isometric view thereof;

FIG. 3 is a side view thereof;

FIG. 4 is a side view thereof;

FIG. 5 is a front view thereof;

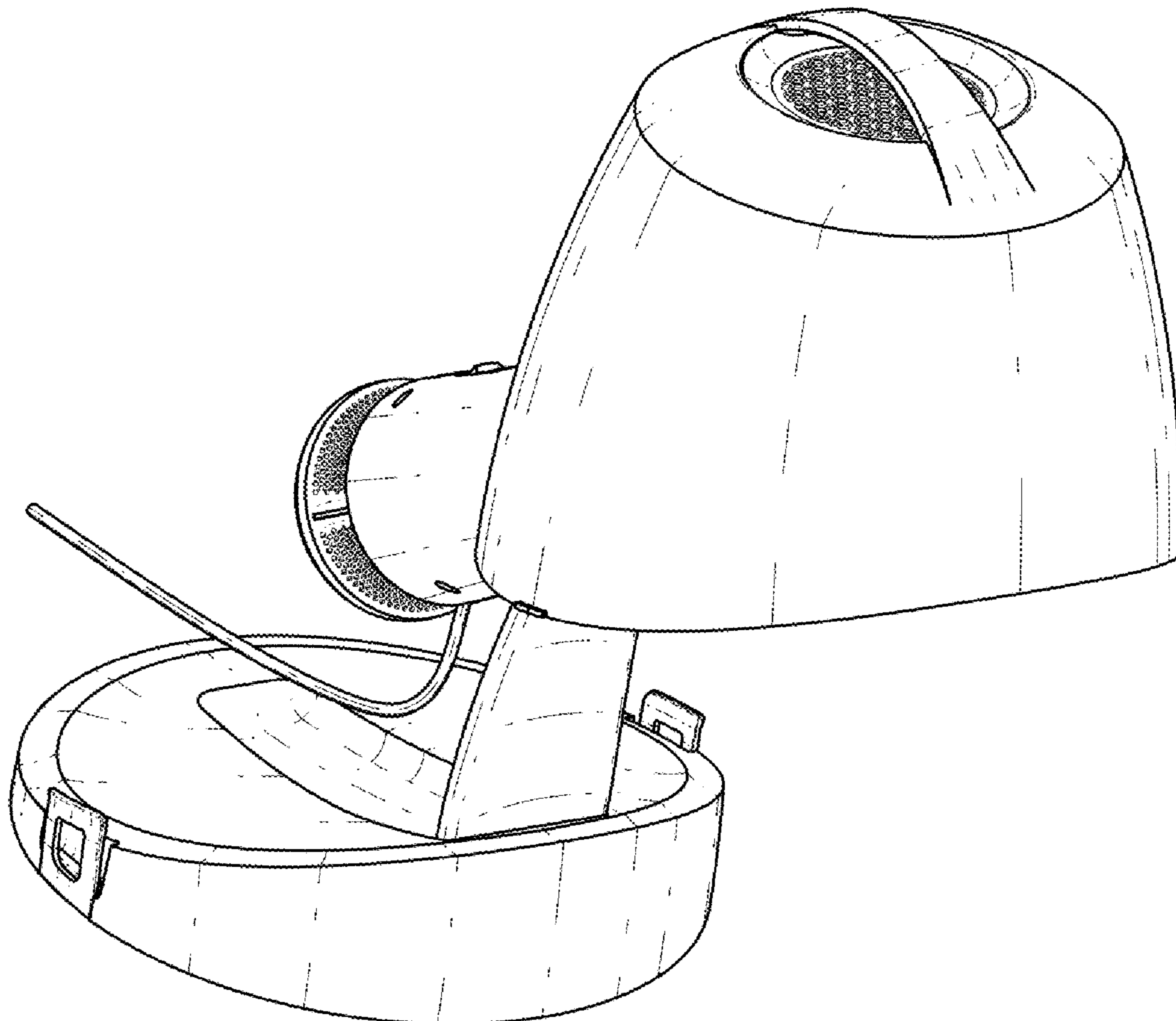
FIG. 6 is a rear view thereof;

FIG. 7 is a top view thereof; and,

FIG. 8 is a bottom view thereof.

The hair dryer design is characterized by a base, an extension arm assembly, and a hood as shown herein.

1 Claim, 8 Drawing Sheets



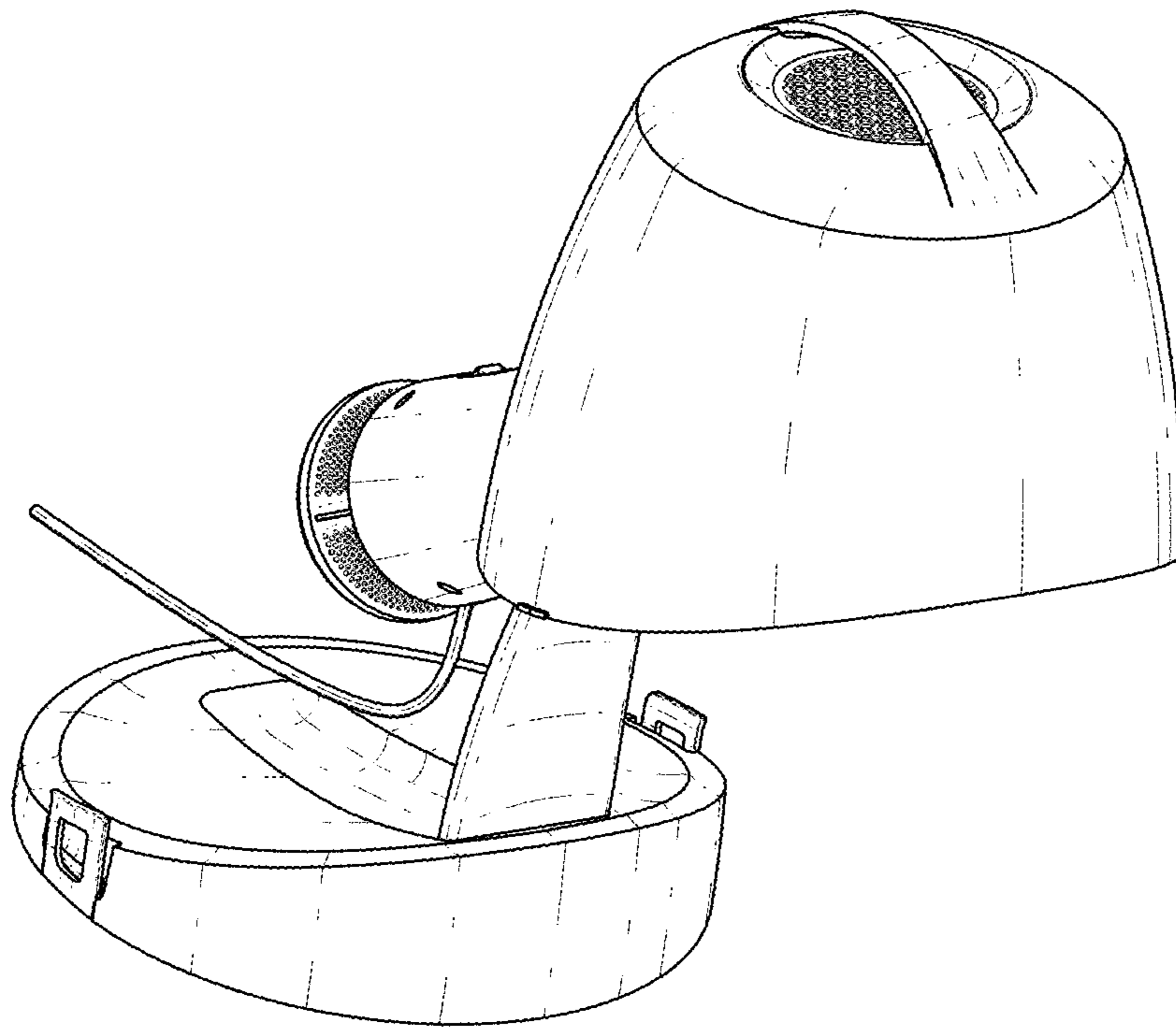


FIG. 1

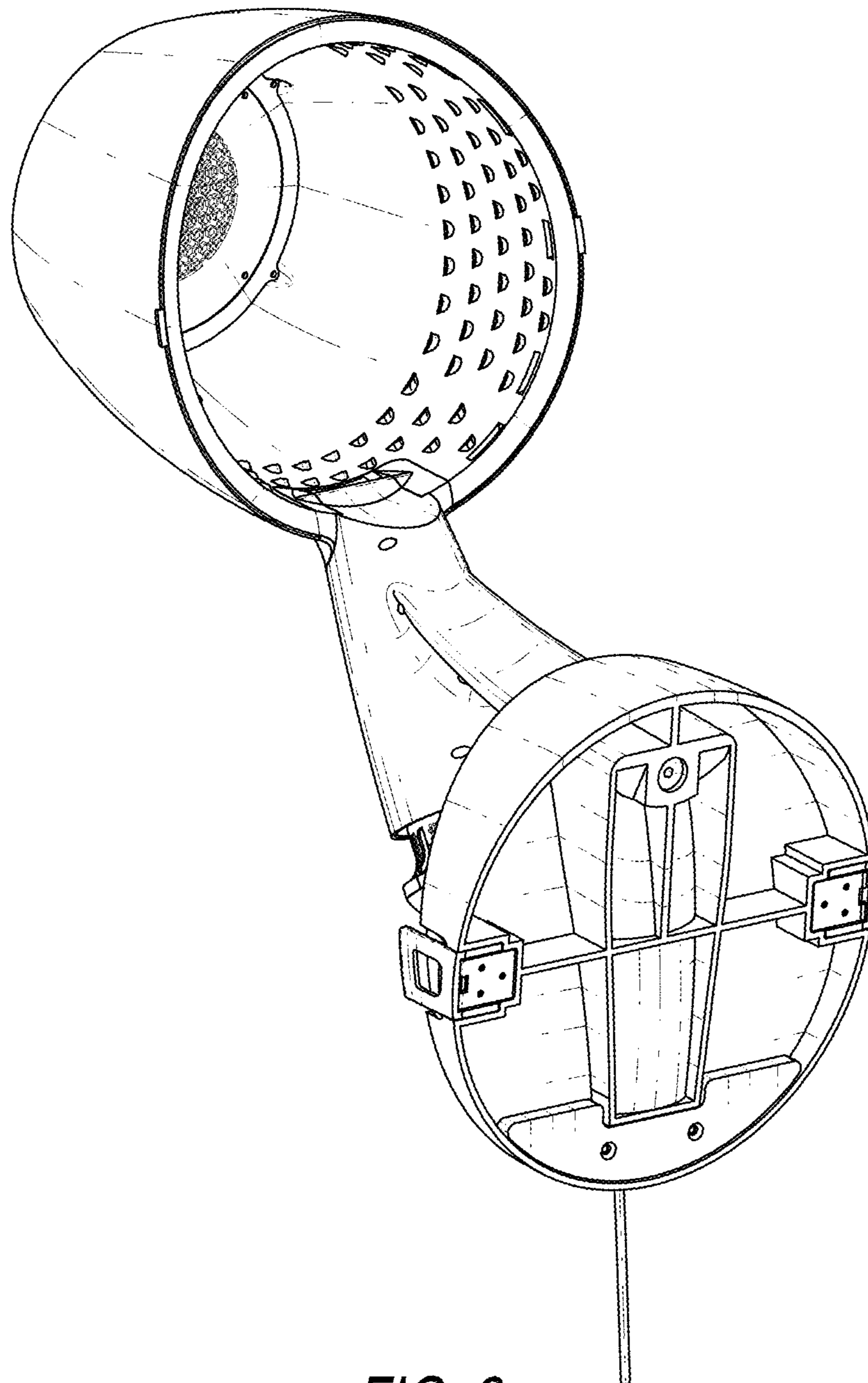


FIG. 2

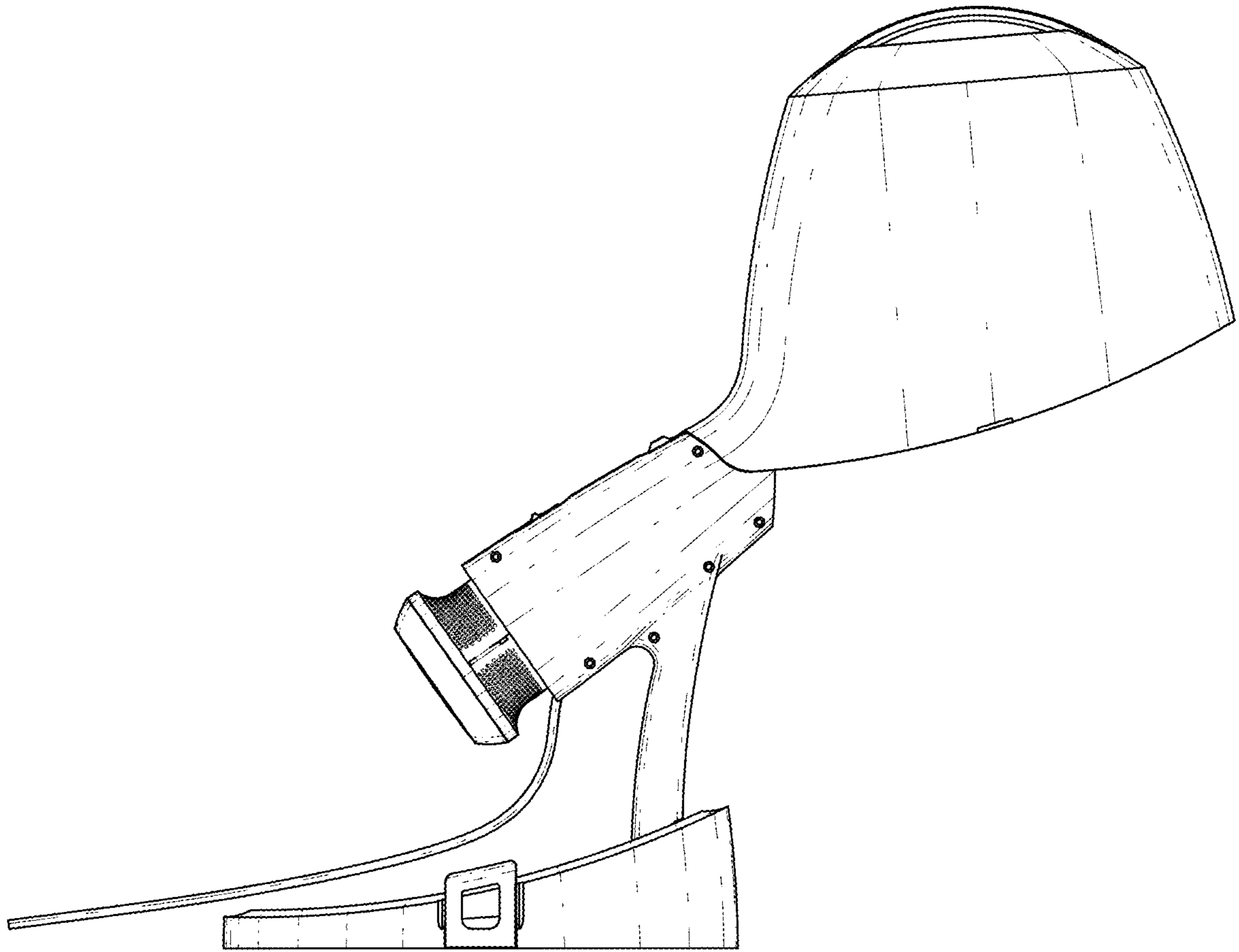


FIG. 3

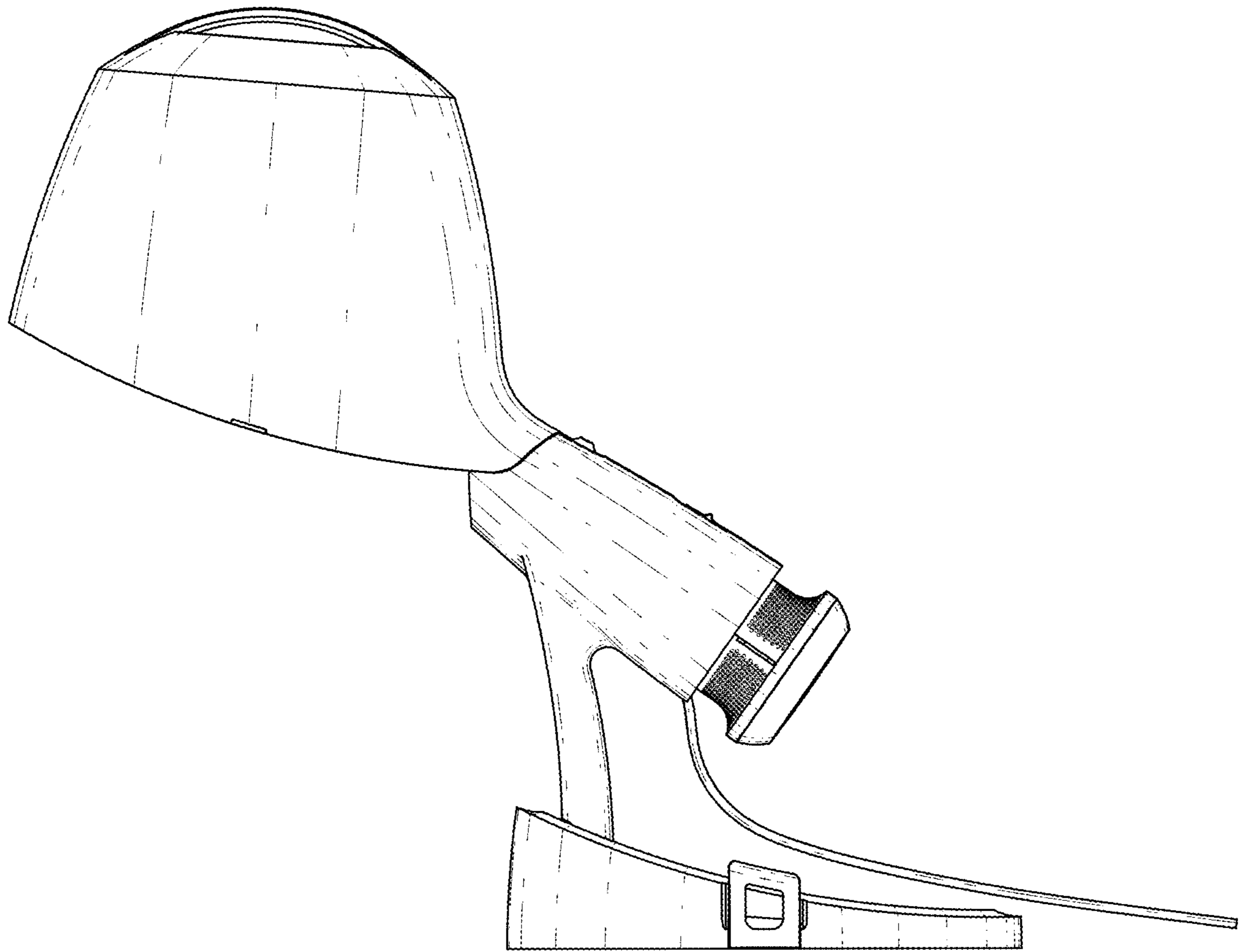


FIG. 4

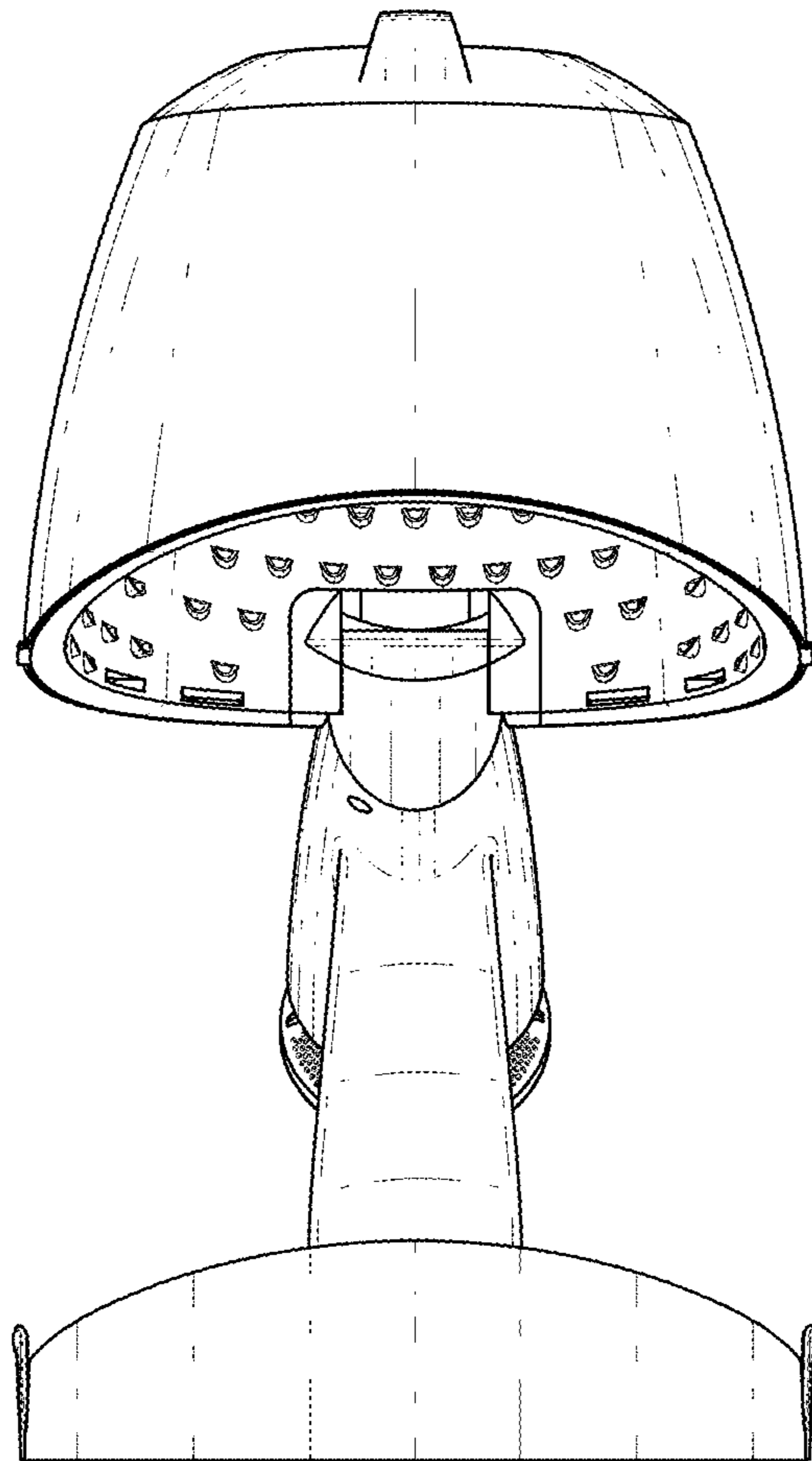


FIG. 5

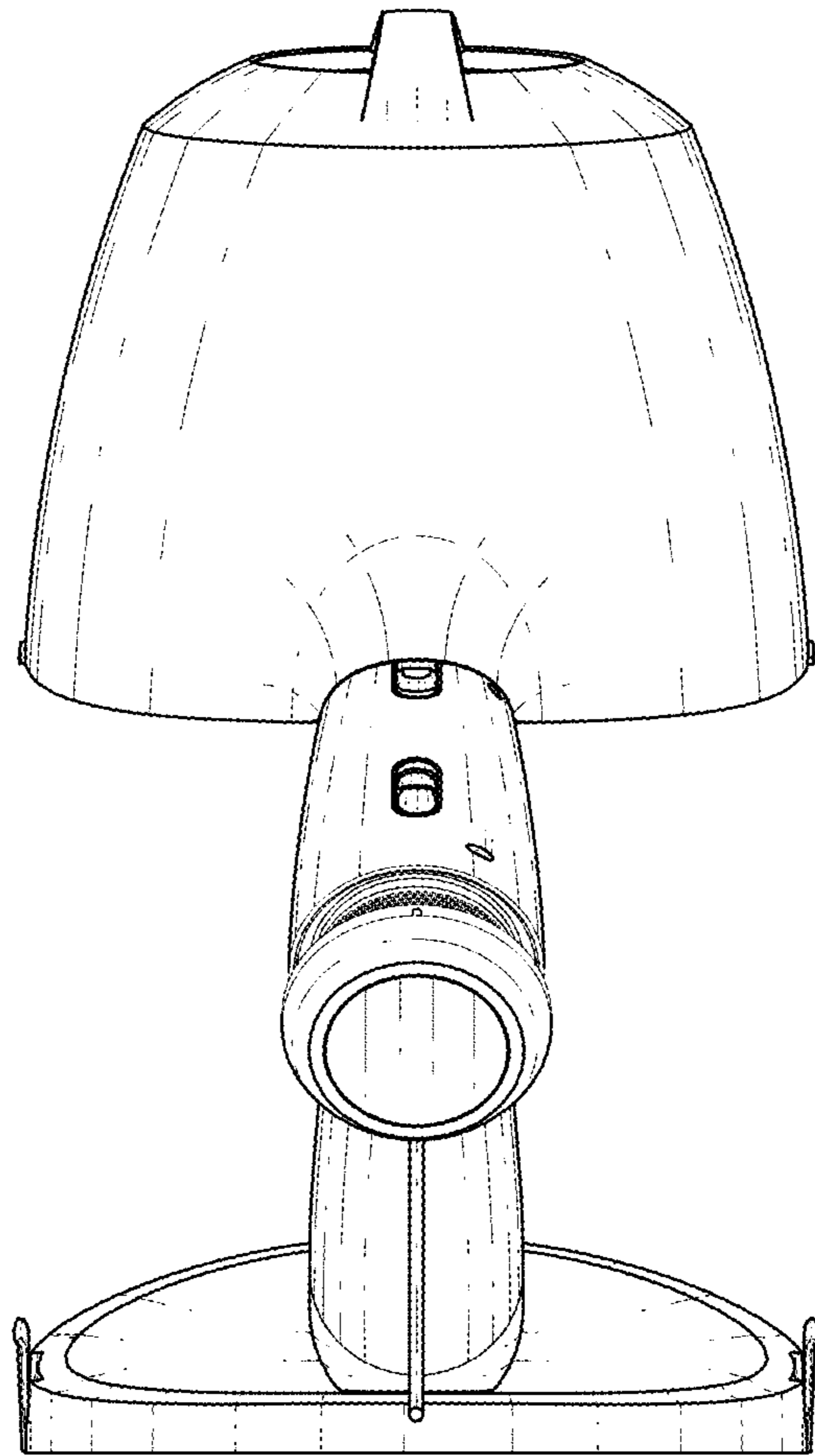


FIG. 6

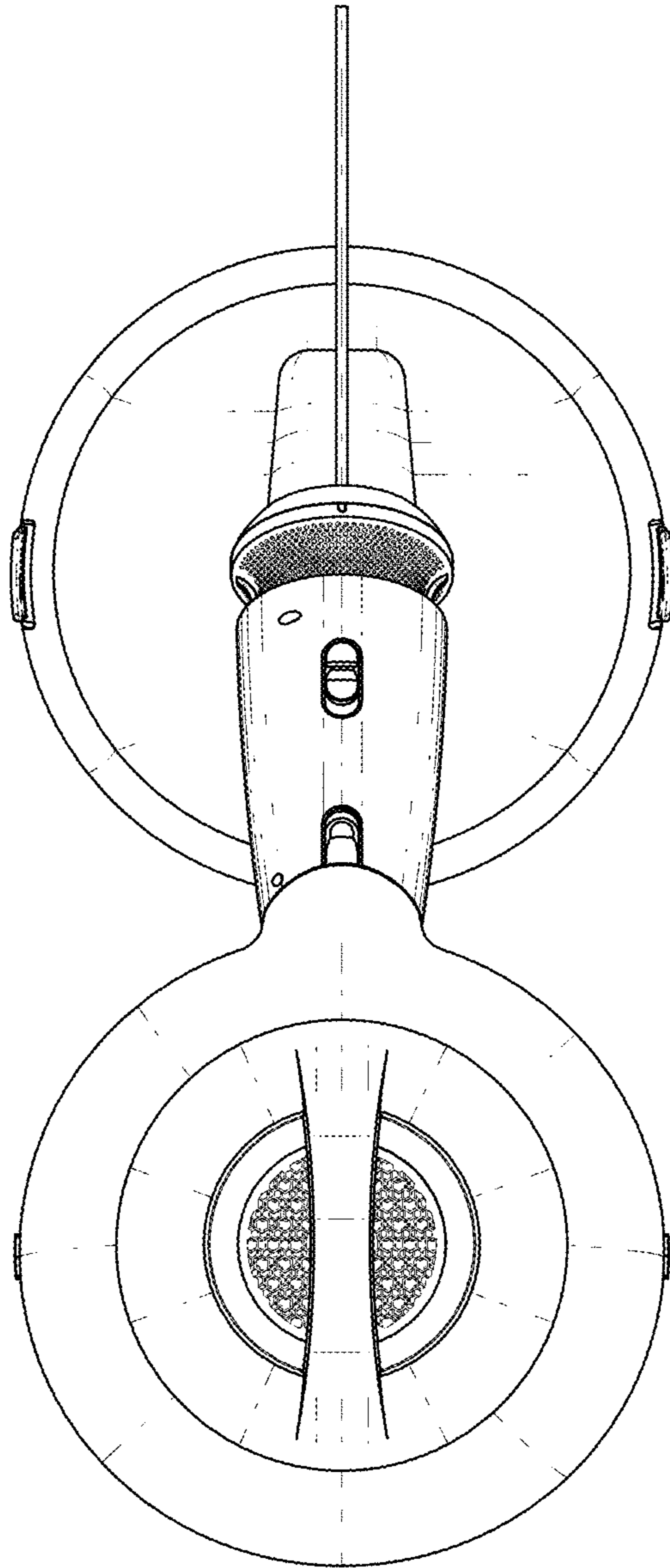


FIG. 7

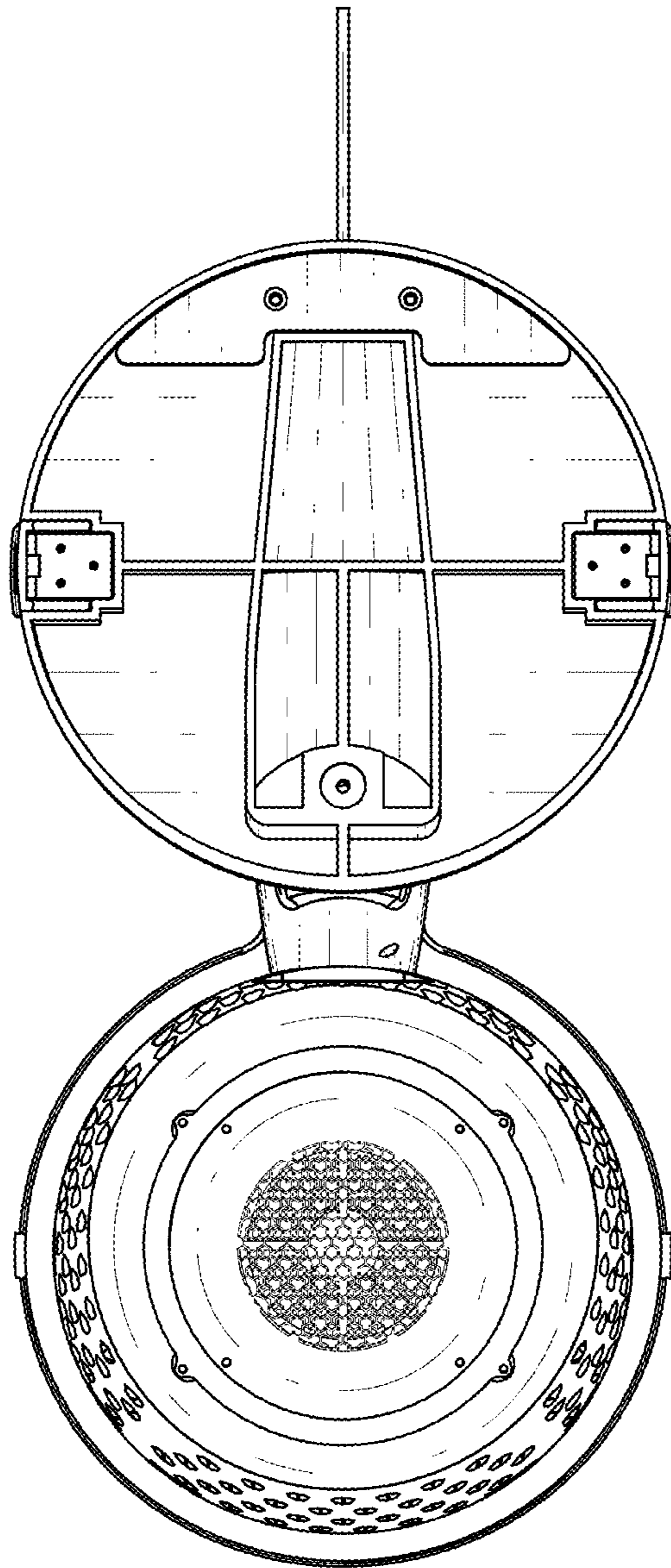


FIG. 8