



US00D898236S

(12) **United States Design Patent**  
**Chen et al.**

(10) **Patent No.:** **US D898,236 S**

(45) **Date of Patent:** **\*\* Oct. 6, 2020**

(54) **LED LAMP**

(71) Applicant: **XIAMEN ECO LIGHTING CO., LTD.**, Fujian (CN)

(72) Inventors: **Huaye Chen**, Fujian (CN); **Lirong Chen**, Fujian (CN)

(73) Assignee: **XIAMEN ECO LIGHTING CO., LTD.**, Fujian (CN)

(\*\*) Term: **15 Years**

(21) Appl. No.: **29/691,331**

(22) Filed: **May 15, 2019**

(51) **LOC (12) Cl.** ..... **26-04**

(52) **U.S. Cl.**  
USPC ..... **D26/2**

(58) **Field of Classification Search**  
USPC ..... D26/1-4  
CPC ..... H01R 5/00; H01R 13/46; H01R 13/514;  
H01R 31/048; H01R 31/02; H01J 5/00;  
H01J 5/16; H01J 1/02; H01J 15/00; H01J  
5/48; H01J 5/50; H01J 19/54; F21V 5/00;  
F21K 9/00; F21K 13/00  
See application file for complete search history.

(56) **References Cited**

**U.S. PATENT DOCUMENTS**

D199,758 S \* 12/1964 Biggs ..... D26/2  
D600,367 S \* 9/2009 Bertram ..... D26/2

D600,468 S \* 9/2009 Natuzzi ..... D6/381  
D660,469 S \* 5/2012 Mase ..... D26/2  
D667,150 S \* 9/2012 Chun ..... D26/2  
D698,049 S \* 1/2014 Jiang ..... D26/2  
D719,684 S \* 12/2014 Grajcar ..... D26/2  
D728,834 S \* 5/2015 Taylor ..... D26/2  
D732,211 S \* 6/2015 Cho ..... D26/2

\* cited by examiner

*Primary Examiner* — Marcus A Jackson

(74) *Attorney, Agent, or Firm* — Dinsmore & Shohl LLP

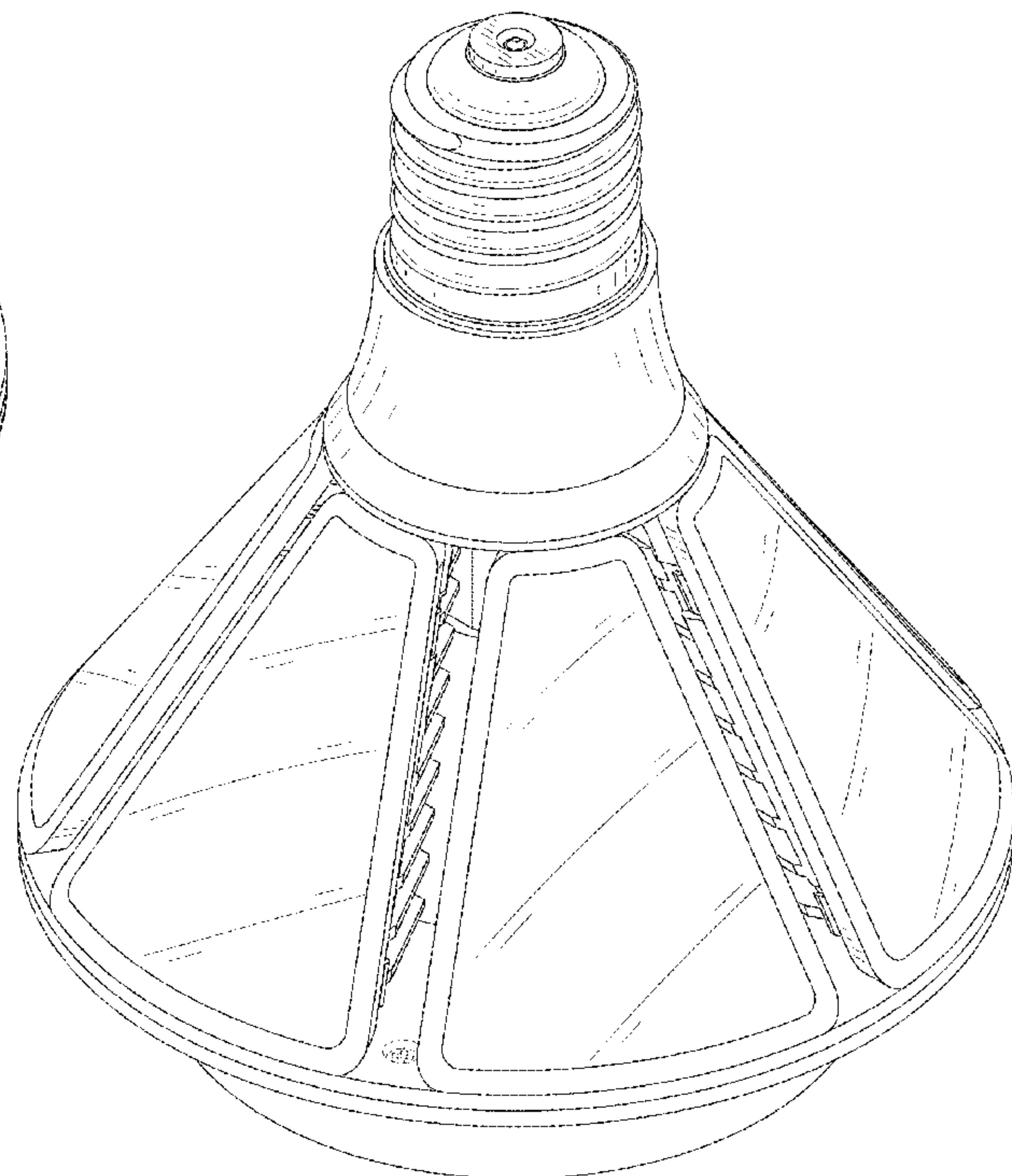
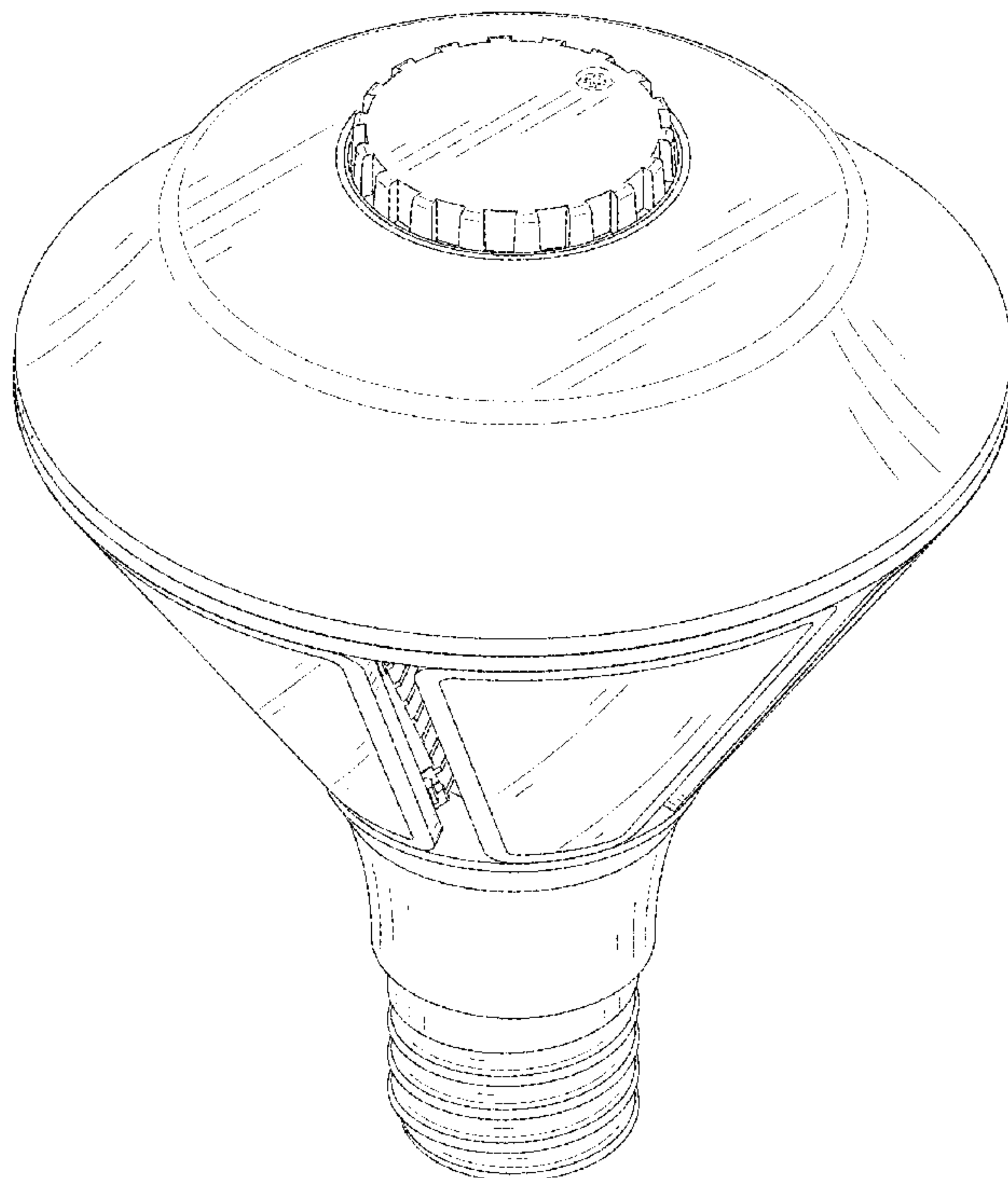
(57) **CLAIM**

The ornamental design for an LED lamp, as shown and described.

**DESCRIPTION**

FIG. 1 is a perspective view of one end of an embodiment of an LED lamp according to the new design; FIG. 2 is a perspective view of an opposite end of the LED lamp; FIG. 3 is a plan view of a side of the LED lamp; FIG. 4 is a plan view of an opposite side of the LED lamp; FIG. 5 is a plan view of a face of the LED lamp; FIG. 6 is a plan view of an opposite face of the LED lamp; FIG. 7 is a plan of the opposite end of the LED lamp; and, FIG. 8 is a plan view of the end of the LED lamp. The portions of the Figures shown in broken lines are for illustrative purposes only and form no part of the claimed design.

**1 Claim, 8 Drawing Sheets**



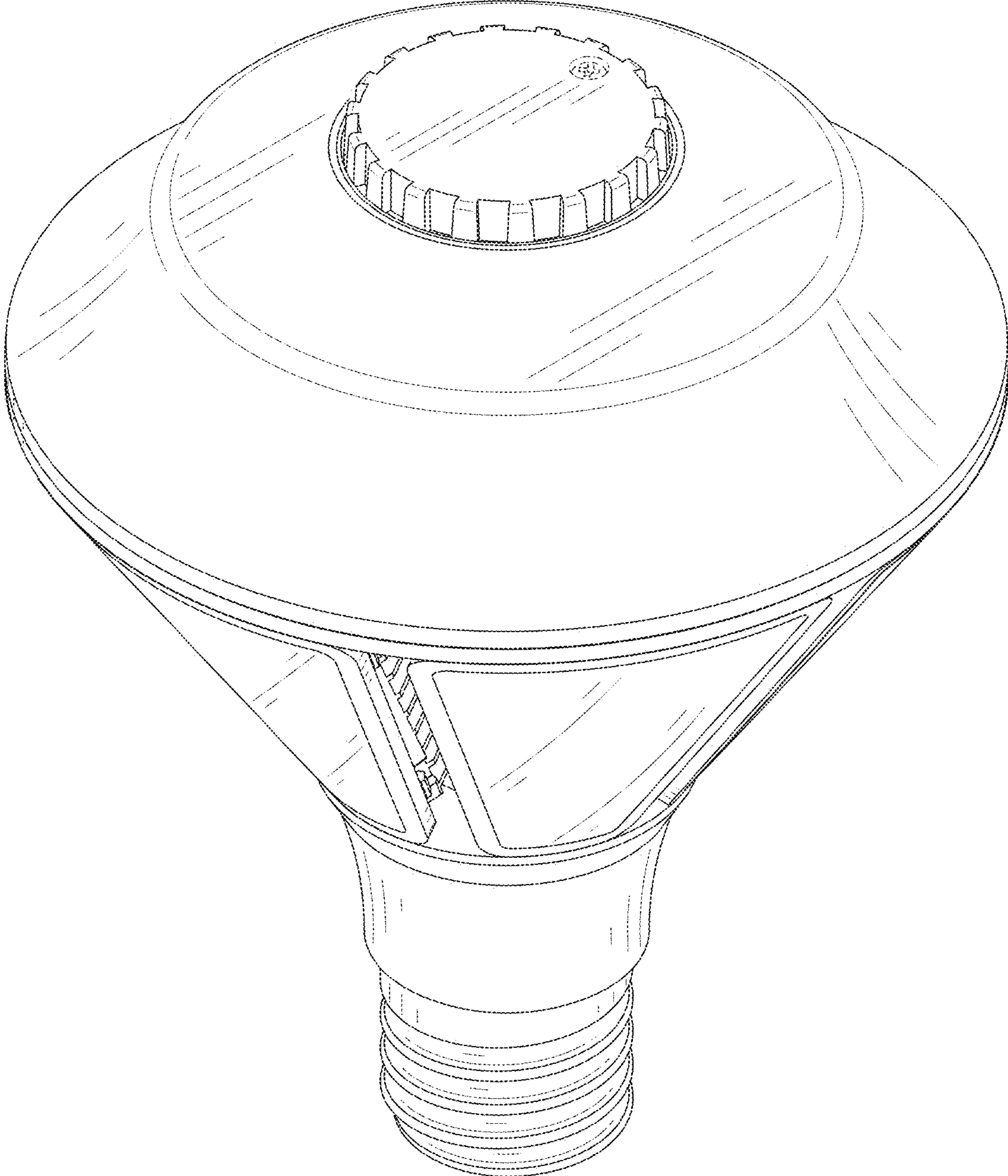


FIG. 1

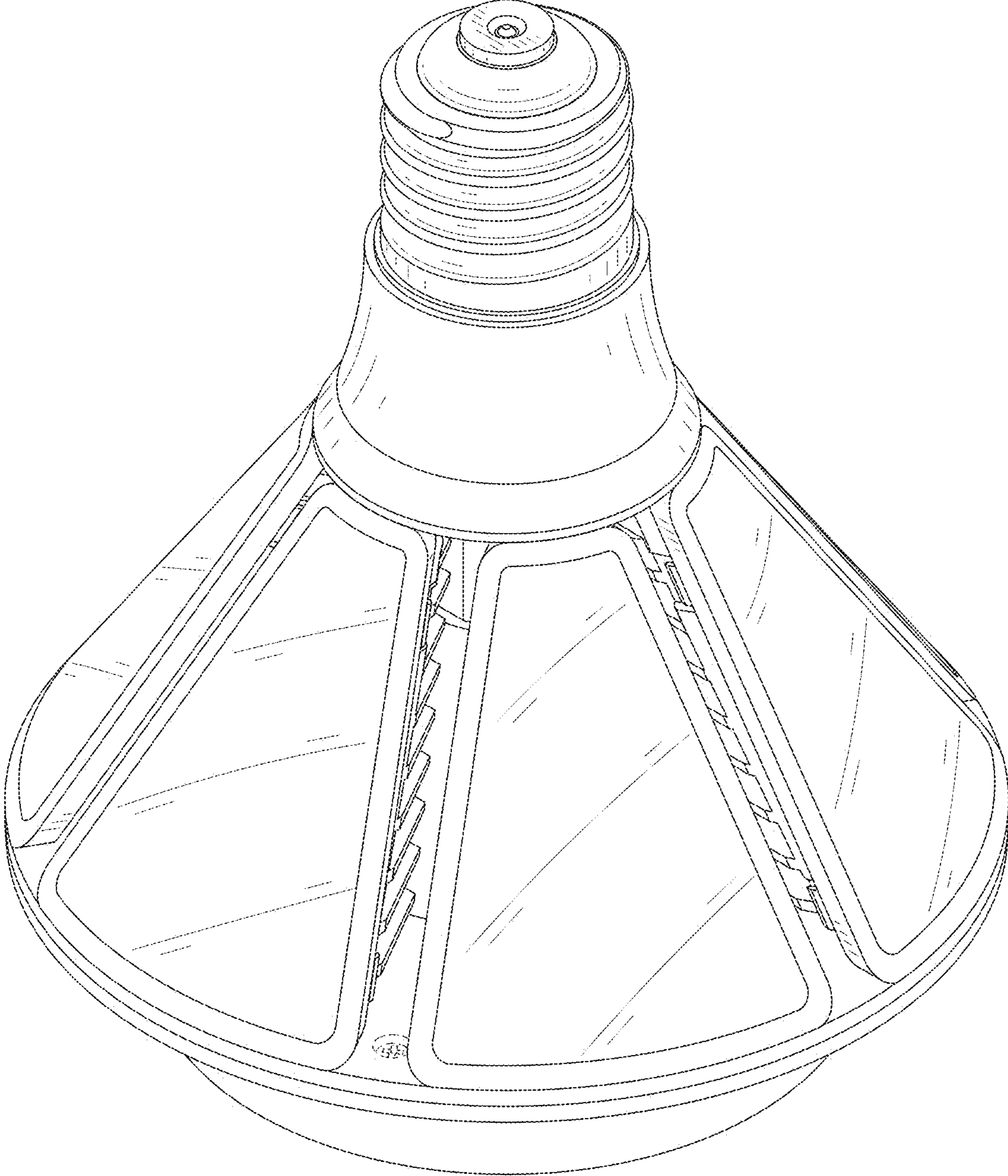


FIG. 2



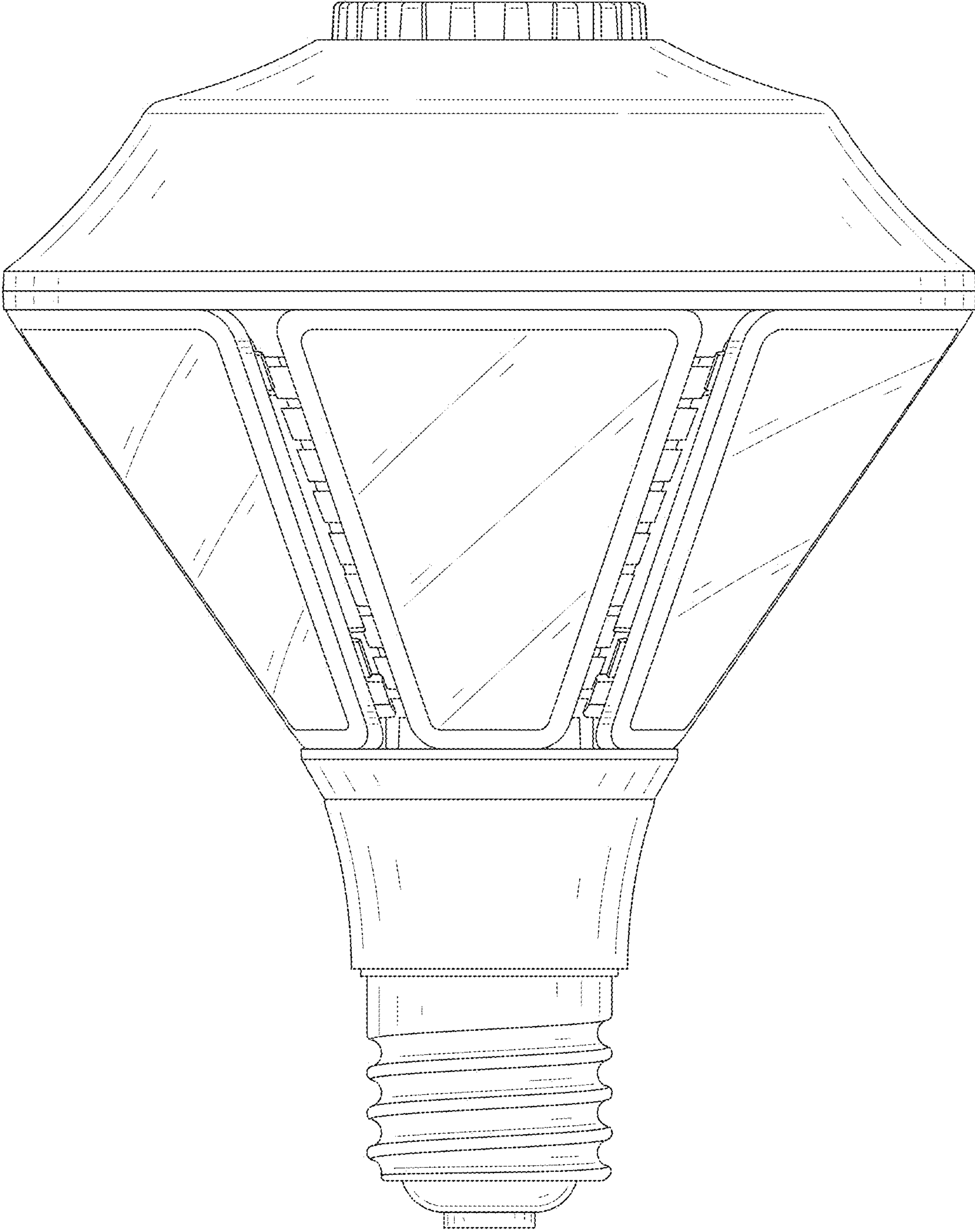


FIG. 3

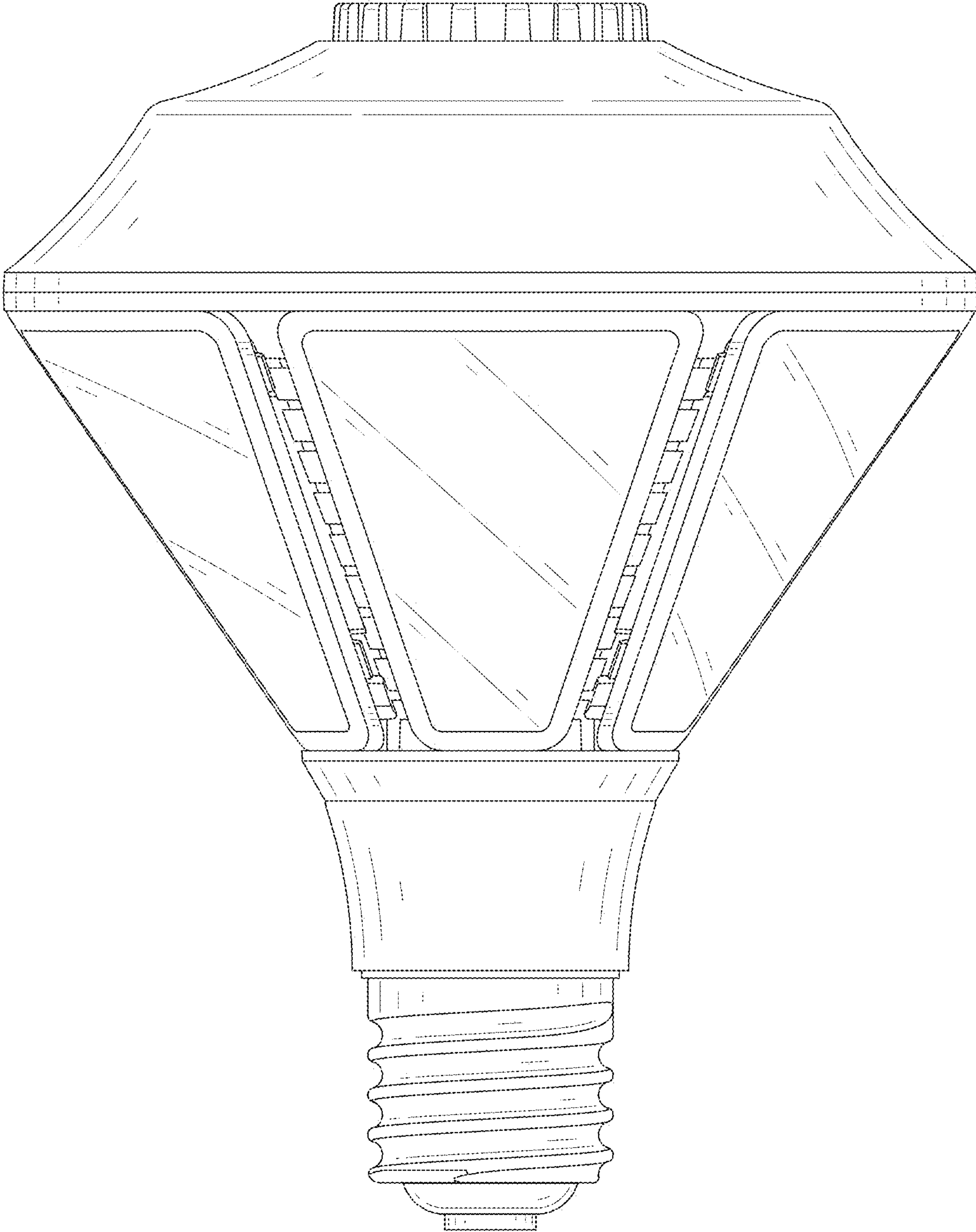


FIG. 4

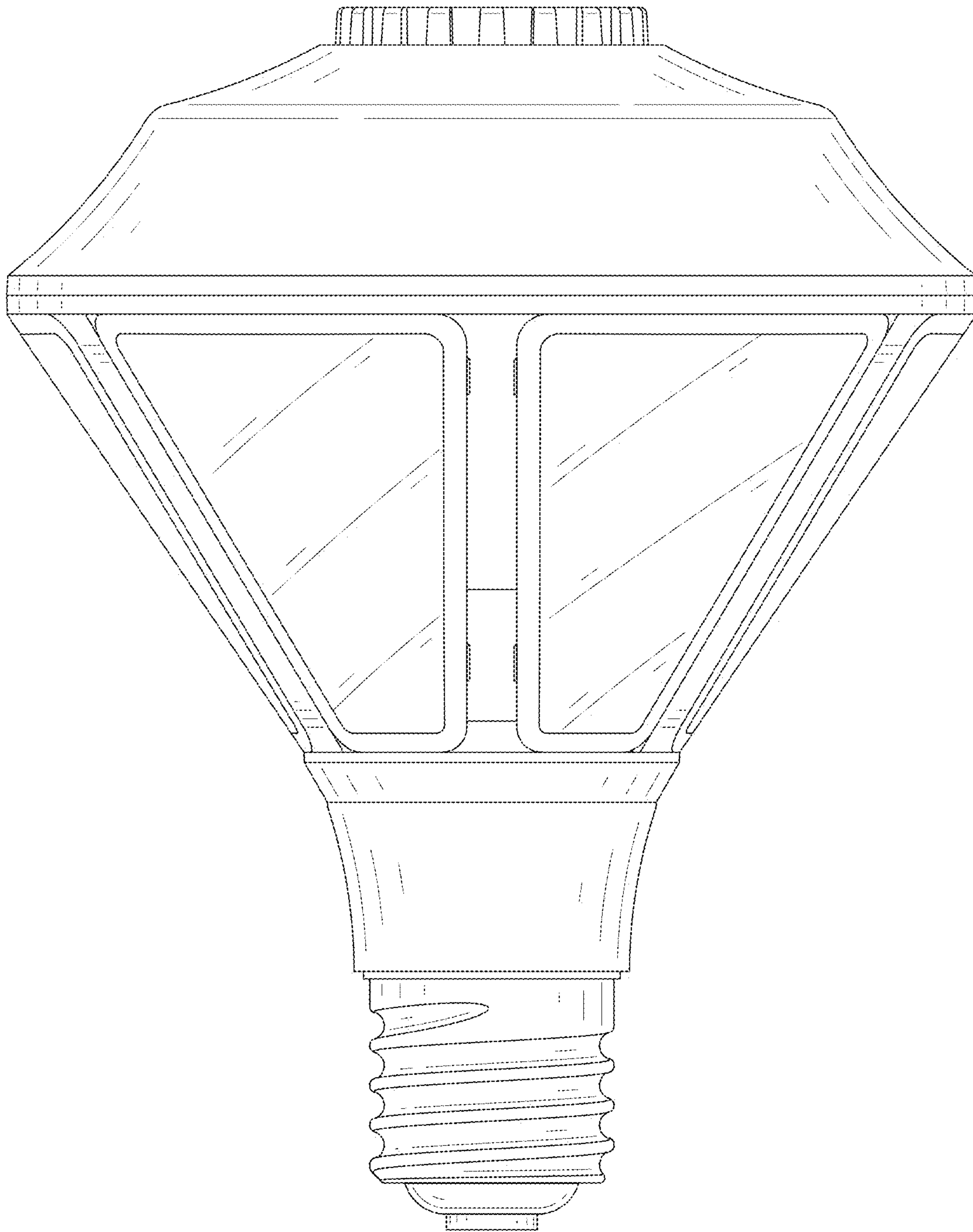


FIG. 5

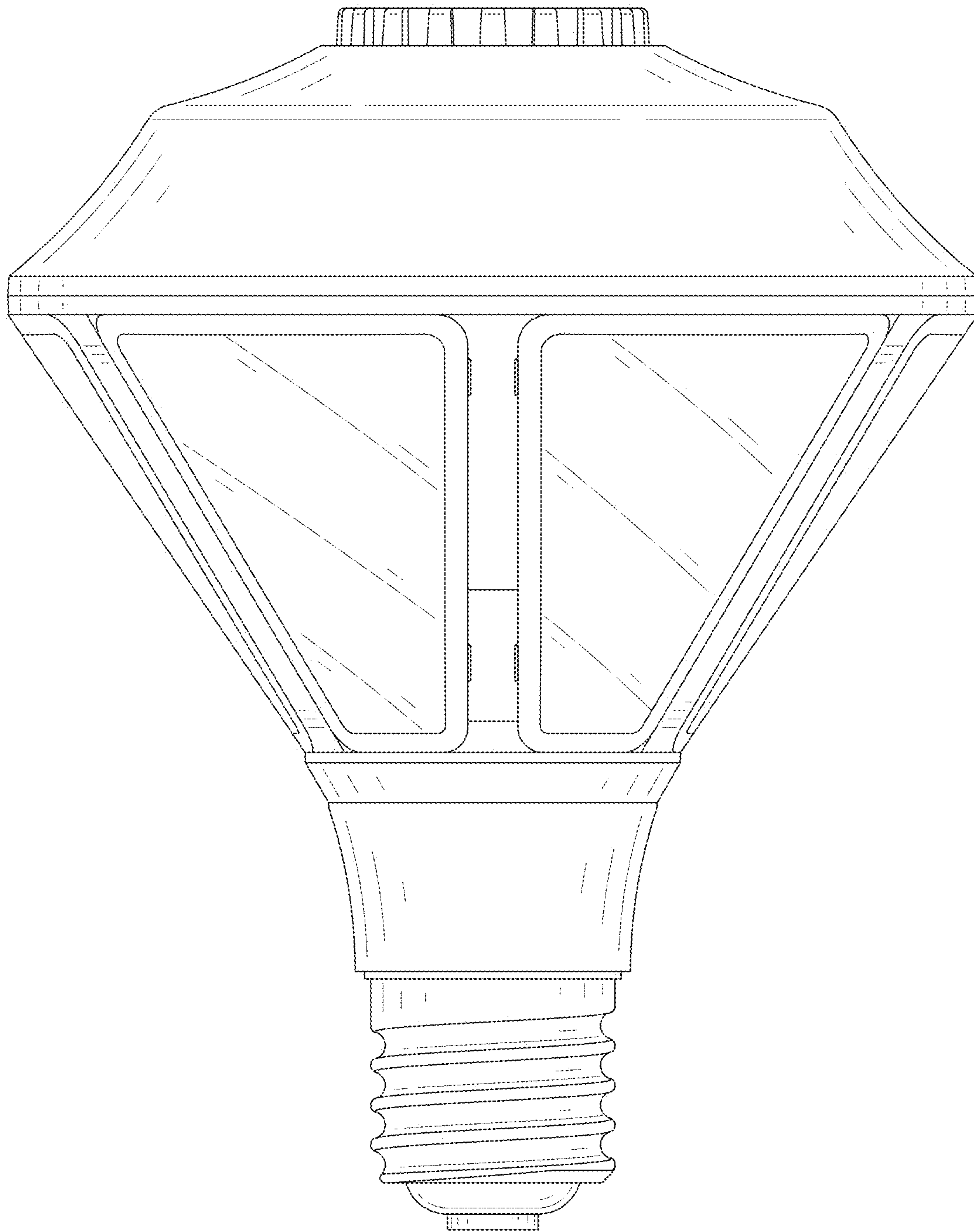


FIG. 6

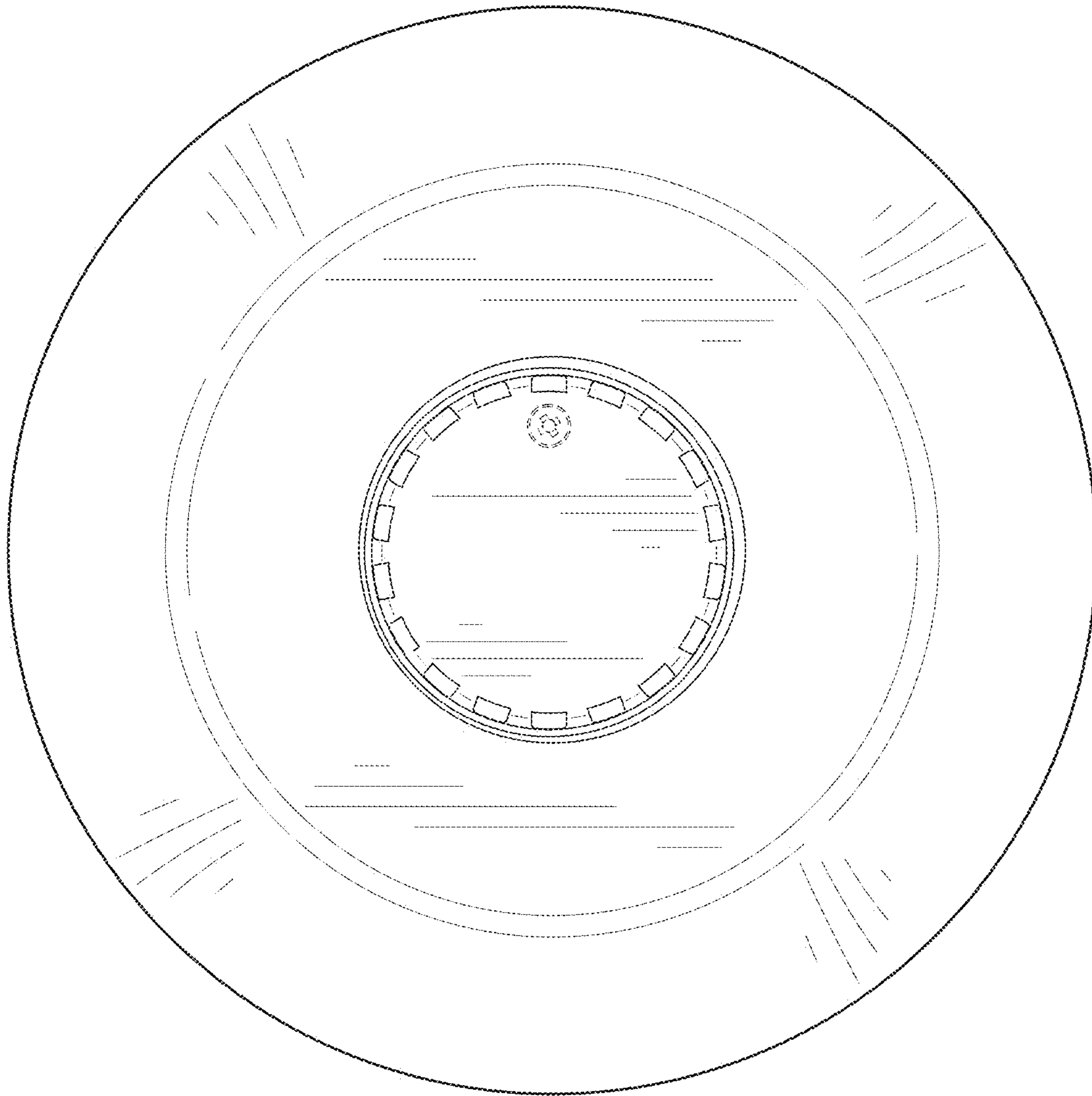


FIG. 7



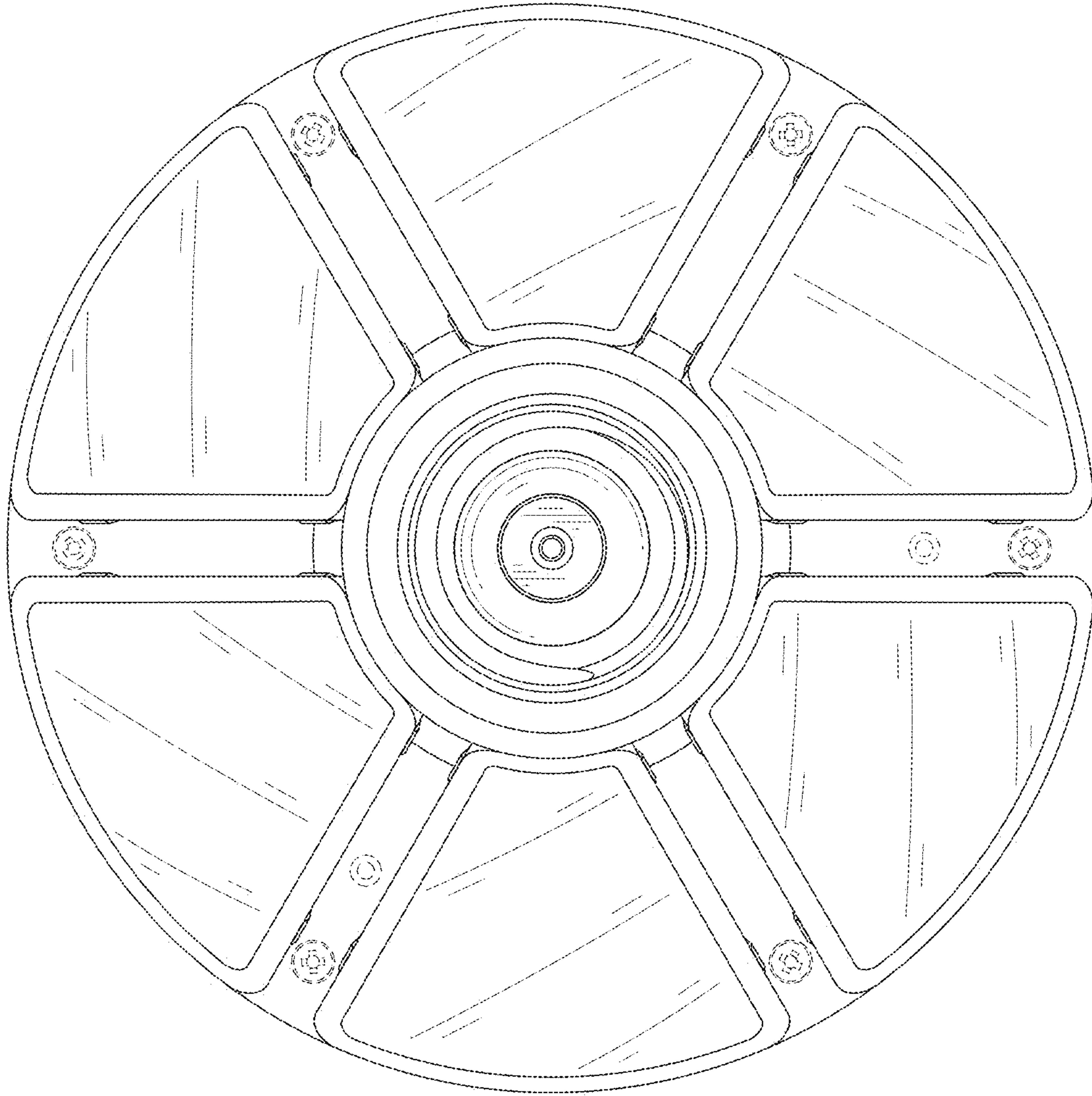


FIG. 8