



US00D898235S

(12) **United States Design Patent**
Chen et al.

(10) **Patent No.:** **US D898,235 S**
(45) **Date of Patent:** **** Oct. 6, 2020**

(54) **LED LAMP**

(71) Applicant: **XIAMEN ECO LIGHTING CO., LTD.**, Fujian (CN)

(72) Inventors: **Huaye Chen**, Fujian (CN); **Lirong Chen**, Fujian (CN)

(73) Assignee: **XIAMEN ECO LIGHTING CO., LTD.**, Fujian (CN)

(**) Term: **15 Years**

(21) Appl. No.: **29/691,322**

(22) Filed: **May 15, 2019**

(51) **LOC (12) Cl.** **26-04**

(52) **U.S. Cl.**
USPC **D26/2**

(58) **Field of Classification Search**
USPC D26/1-4
CPC H01R 5/00; H01R 13/46; H01R 13/514;
H01R 31/048; H01R 31/02; H01J 5/00;
H01J 5/16; H01J 1/02; H01J 15/00; H01J
5/48; H01J 5/50; H01J 19/54; F21V 5/00;
F21K 9/00; F21K 13/00
See application file for complete search history.

(56) **References Cited**

U.S. PATENT DOCUMENTS

D199,758 S * 12/1964 Biggs et al. D26/2
D600,367 S * 9/2009 Bertram D26/2

D660,468 S * 5/2012 Mase D26/2
D660,469 S * 5/2012 Mase D26/2
D667,150 S * 9/2012 Chun D26/2
D698,049 S * 1/2014 Jiang D26/2
D719,684 S * 12/2014 Grajcar D26/2
D732,211 S * 6/2015 Cho D26/2

* cited by examiner

Primary Examiner — Marcus A Jackson

(74) *Attorney, Agent, or Firm* — Dinsmore & Shohl LLP

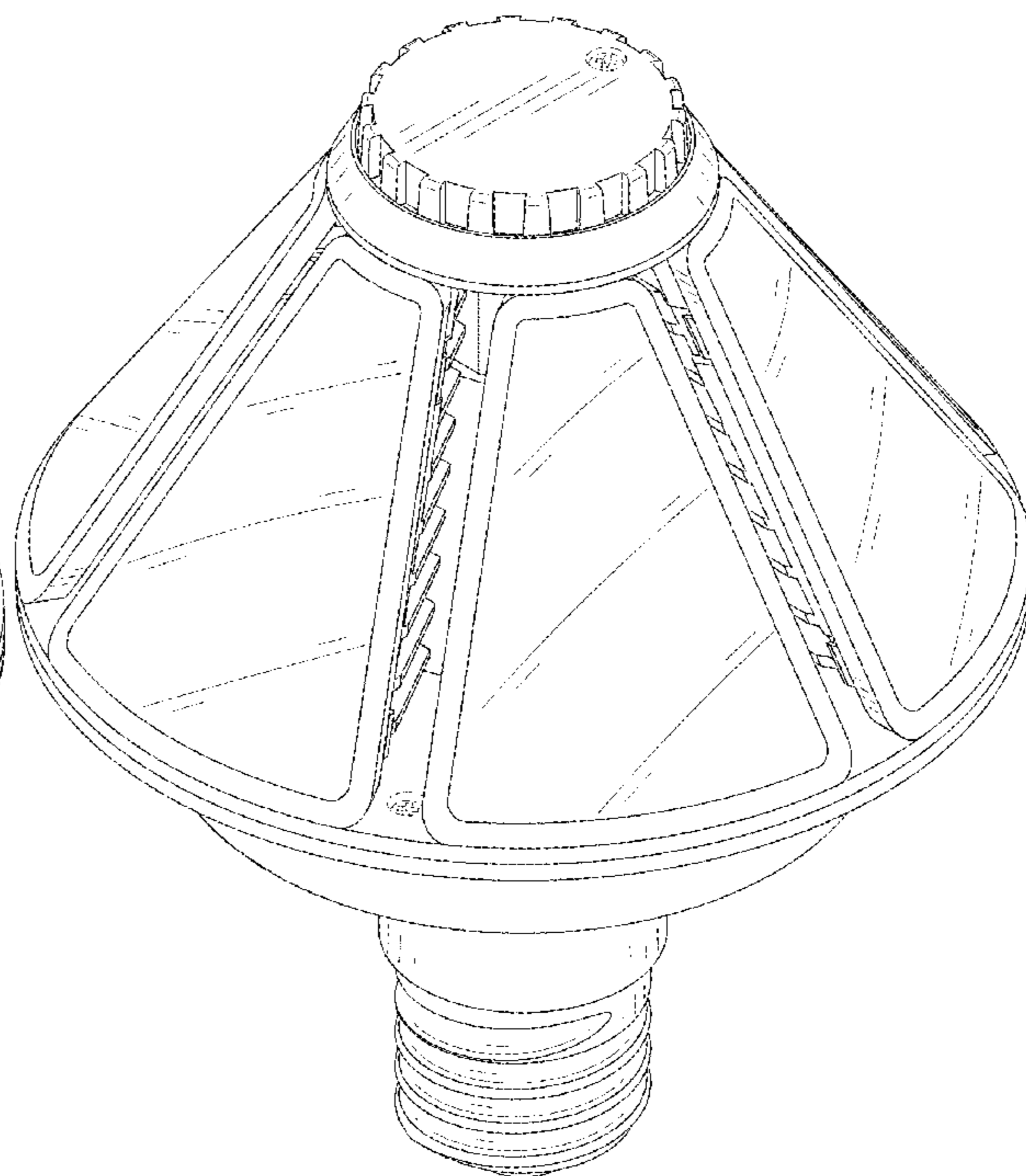
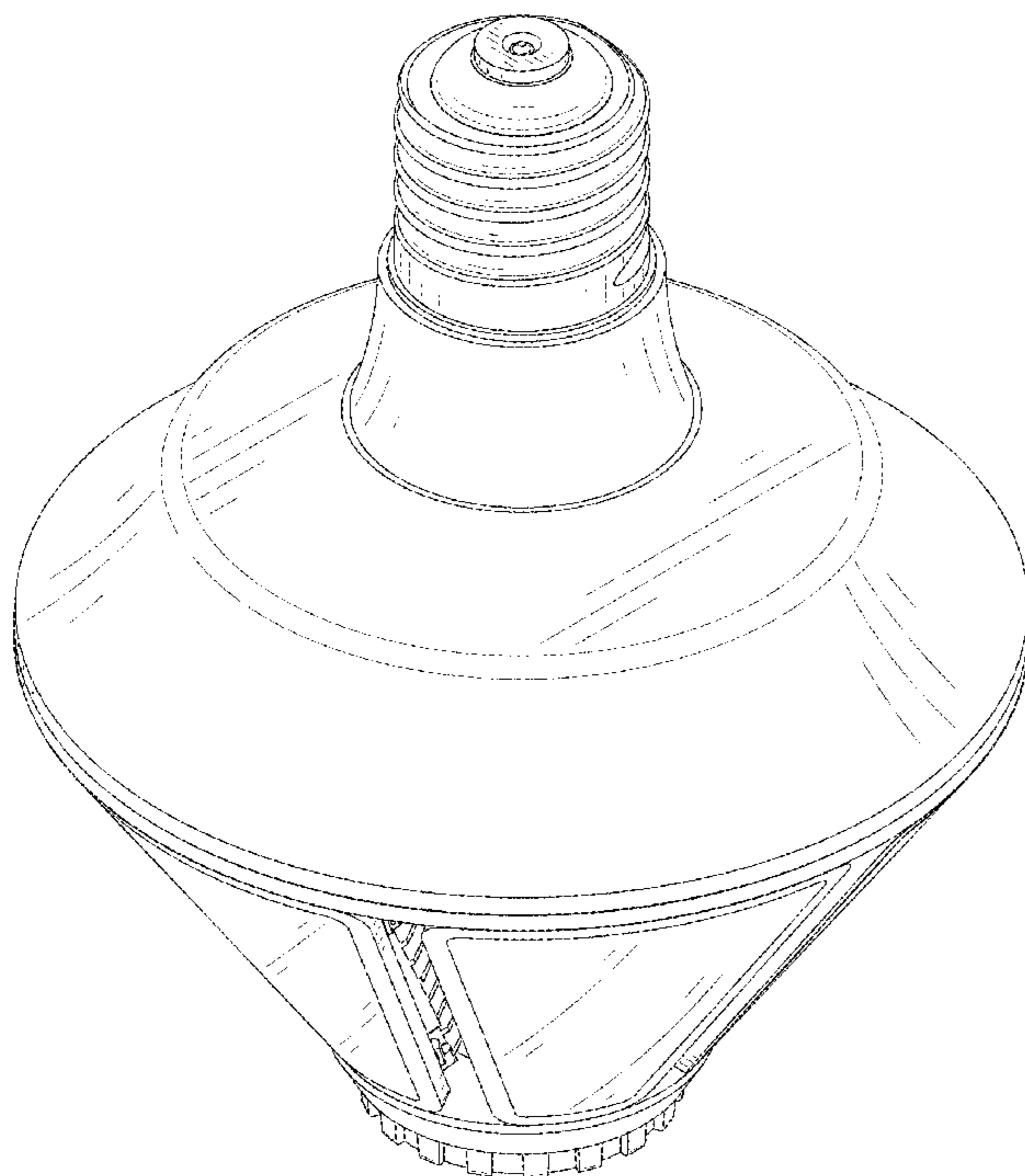
(57) **CLAIM**

The ornamental design for an LED lamp, as shown and described.

DESCRIPTION

FIG. 1 is a perspective view of one end of an embodiment of an LED lamp according to the new design; FIG. 2 is a perspective view an opposite end of the LED lamp; FIG. 3 is a plan view of a side of the LED lamp; FIG. 4 is a plan view of an opposite side of the LED lamp; FIG. 5 is a plan view of a face of the LED lamp; FIG. 6 is a plan view of an opposite face of the LED lamp; FIG. 7 is a plan of the opposite end of the LED lamp; and, FIG. 8 is a plan view the end of the LED lamp. The portions of the Figures shown in broken lines are for illustrative purposes only and form no part of the claimed design.

1 Claim, 8 Drawing Sheets



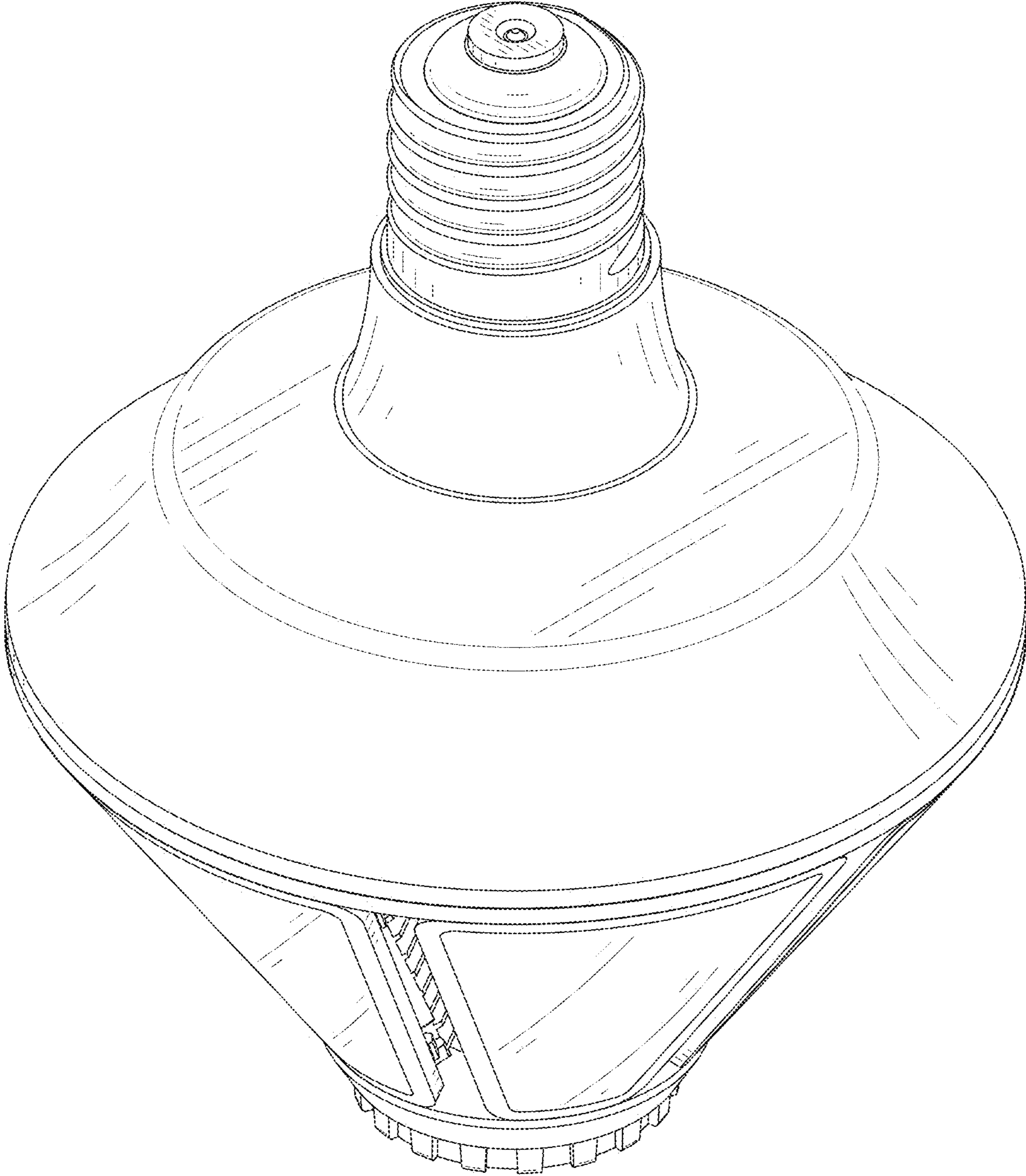


FIG. 1

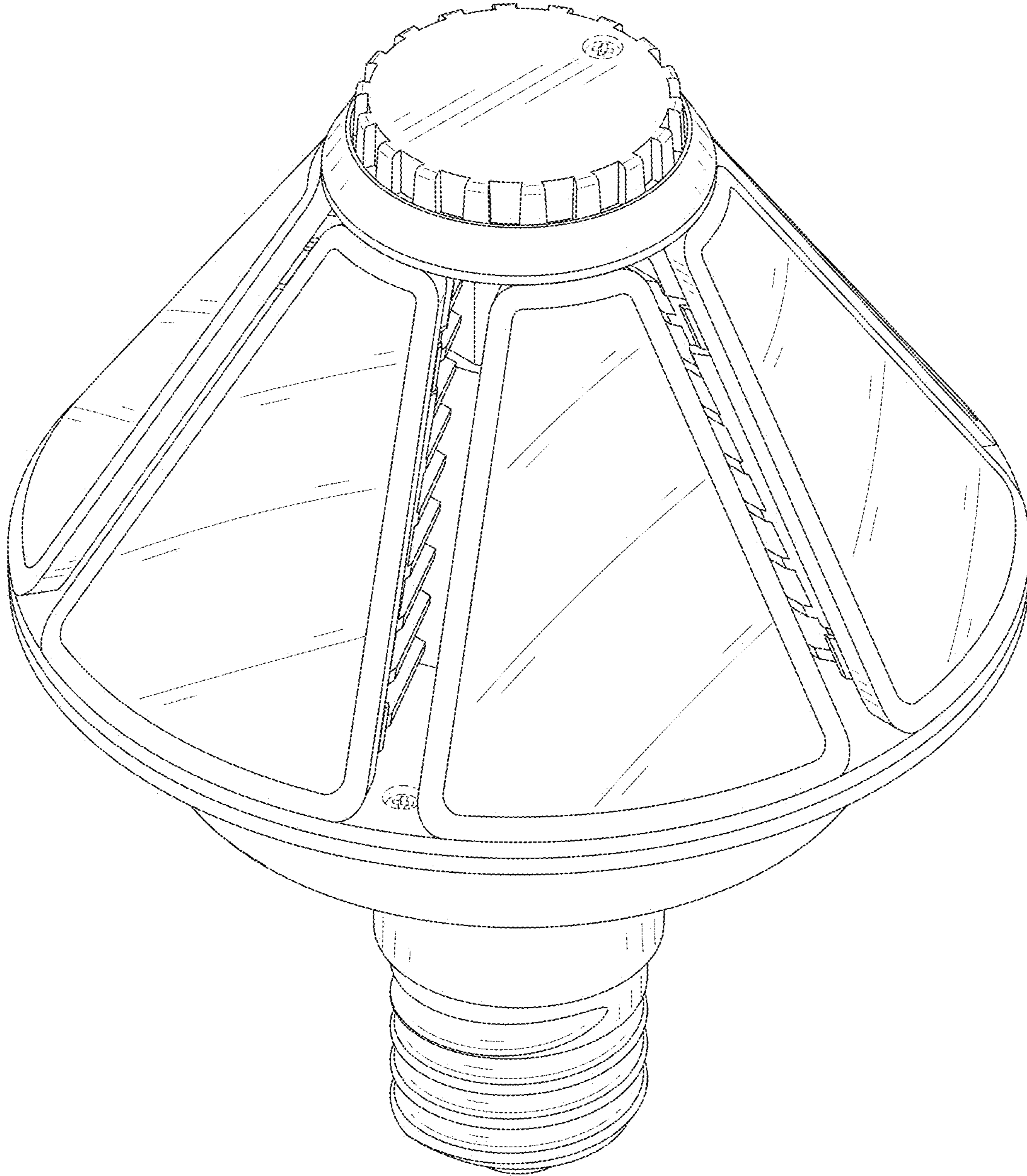


FIG. 2

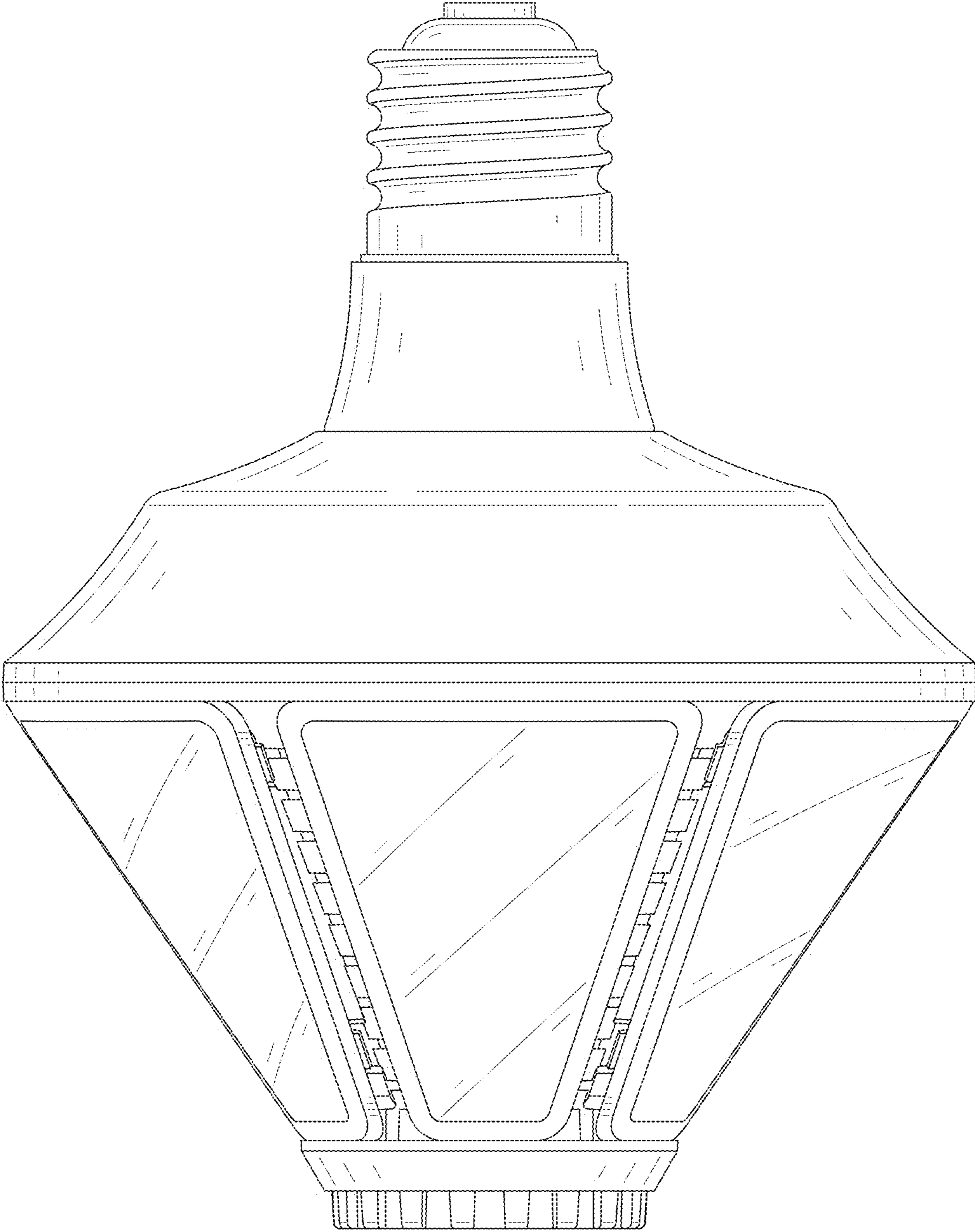


FIG. 3

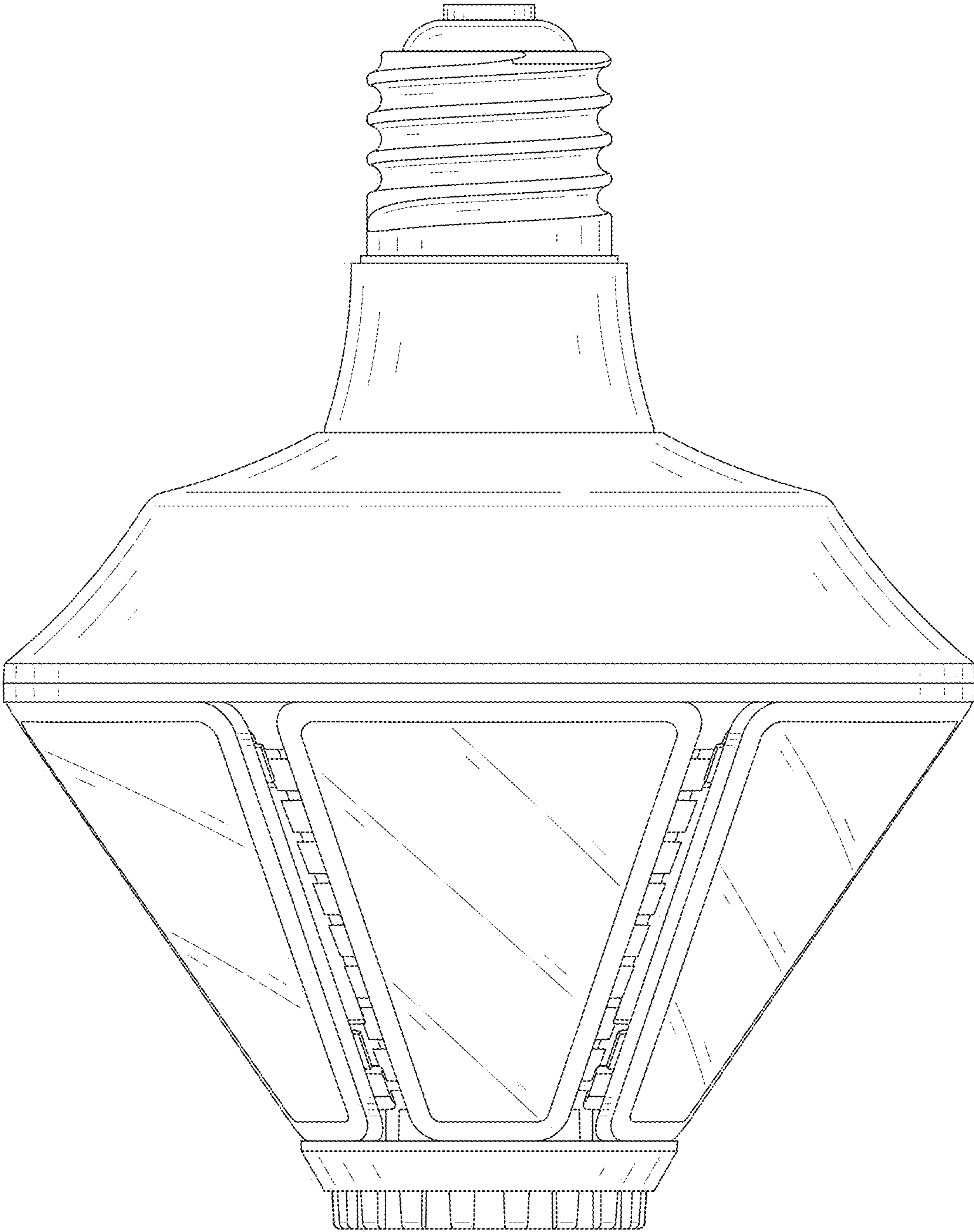


FIG. 4

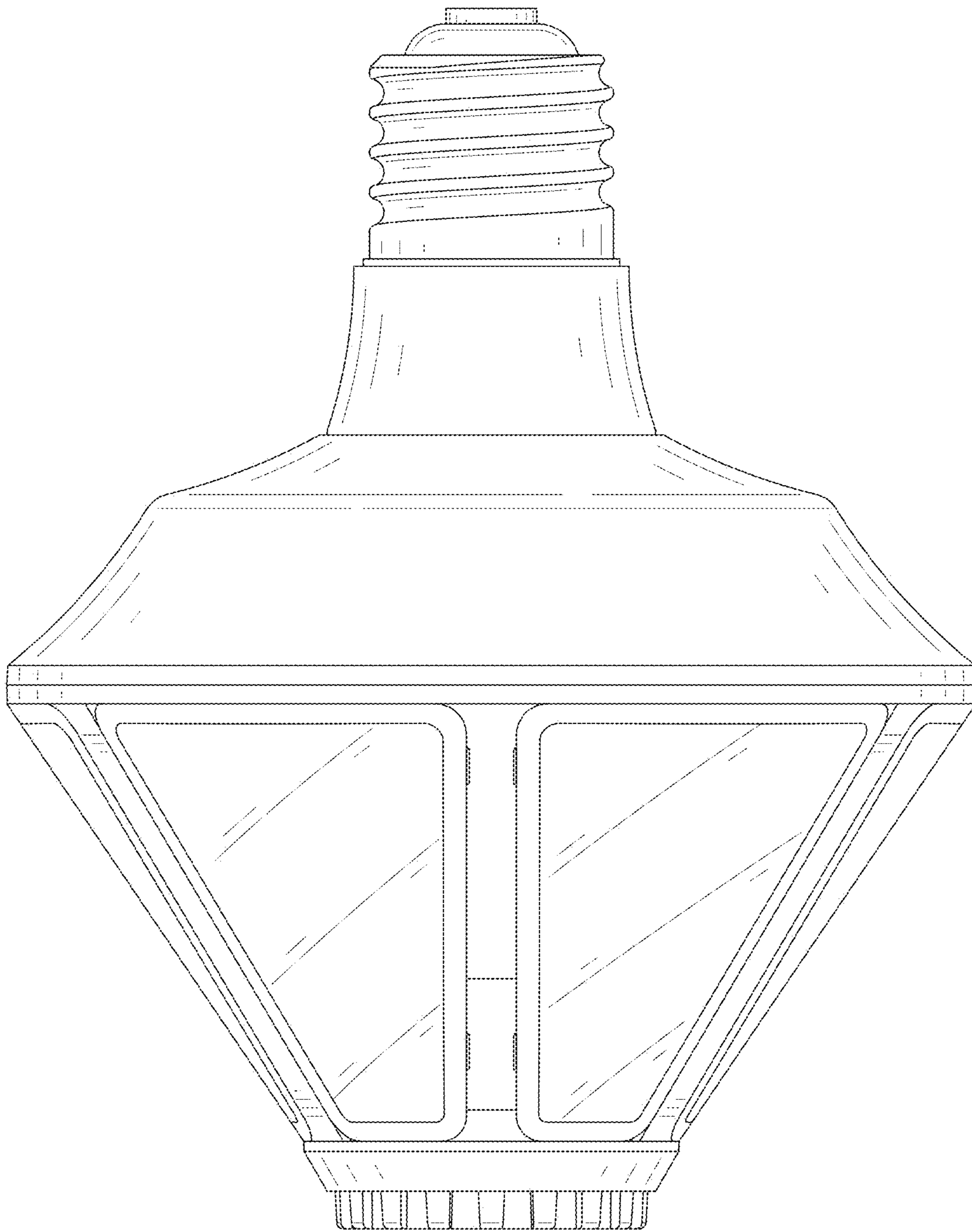


FIG. 5

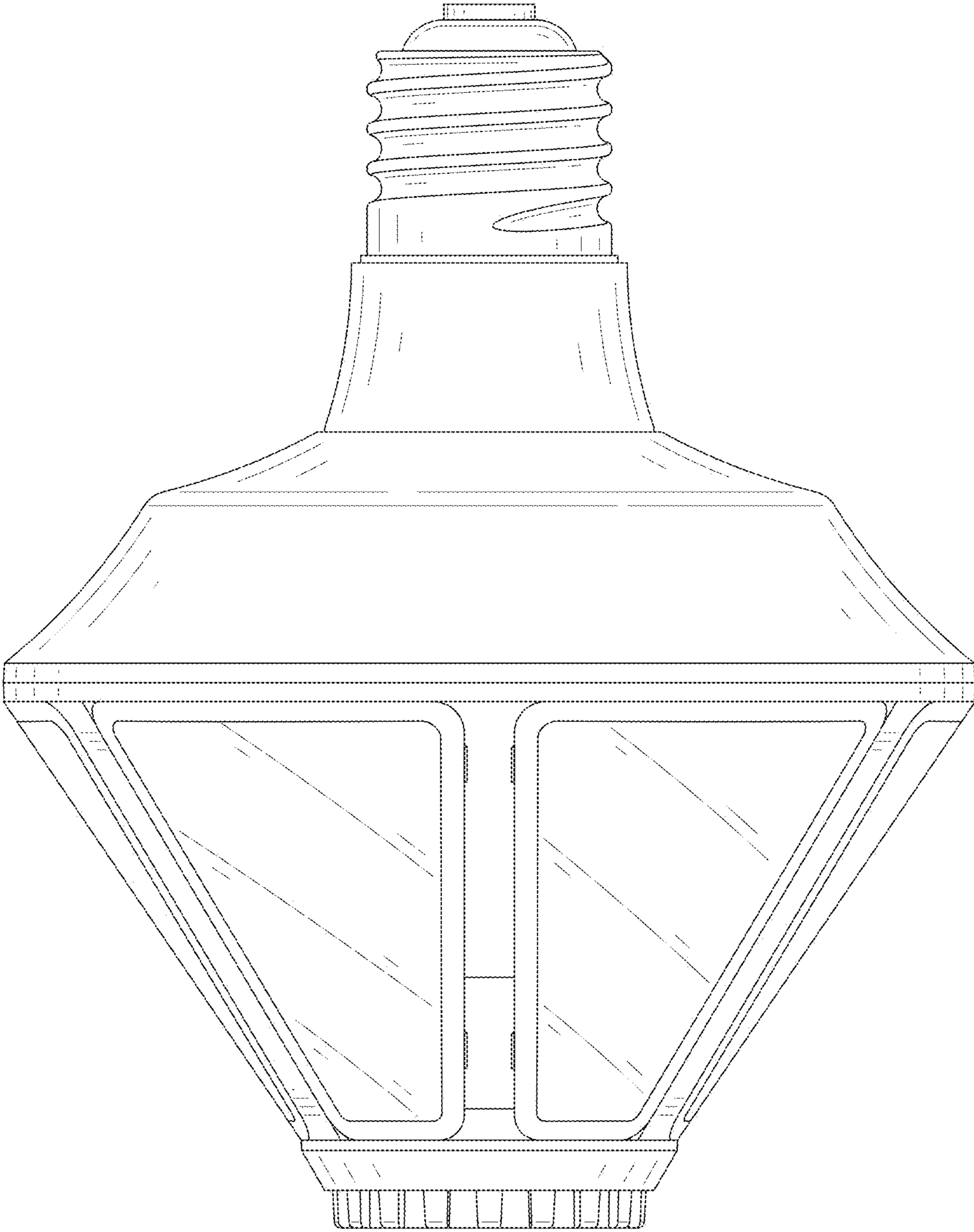


FIG. 6

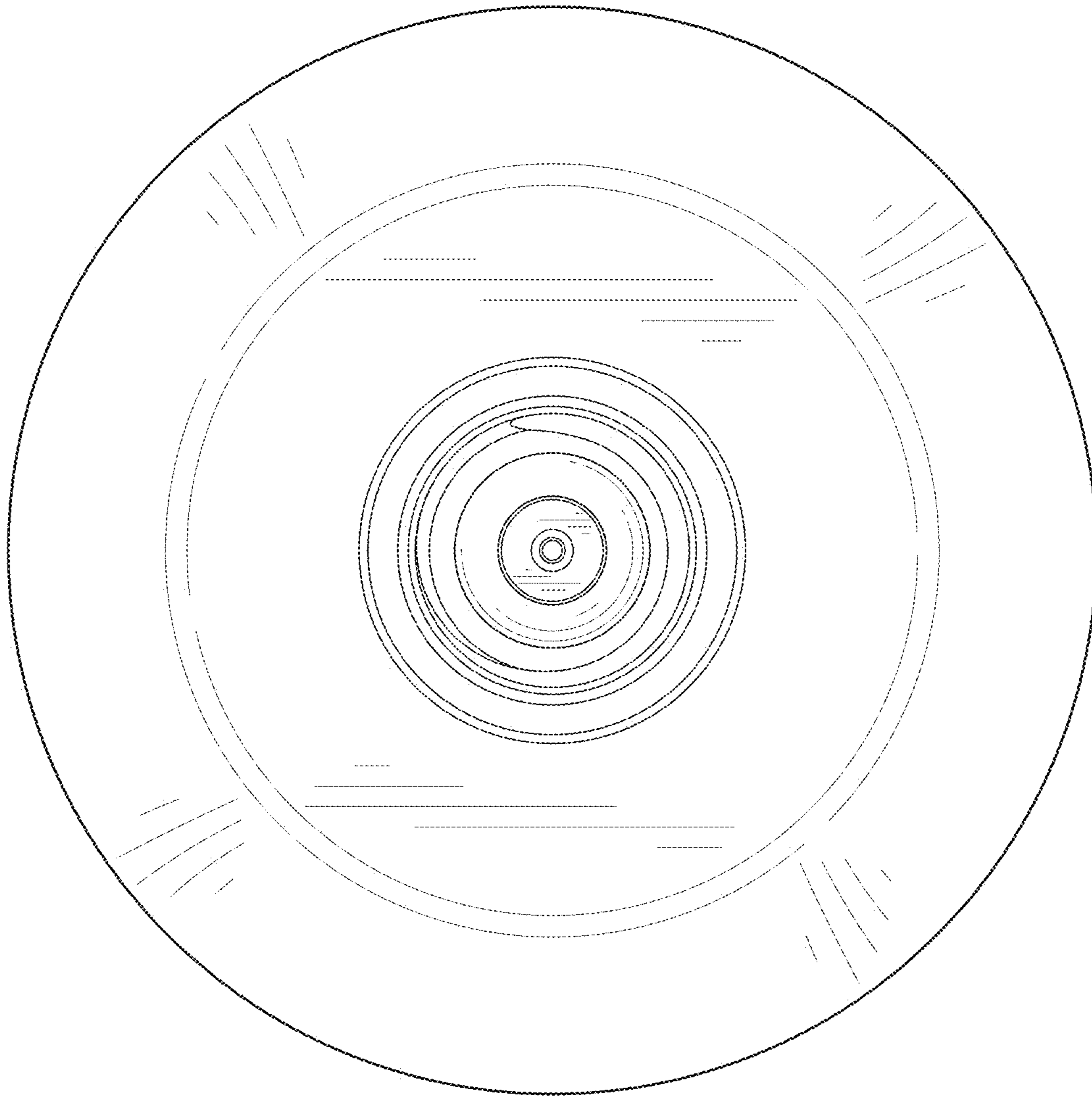


FIG. 7

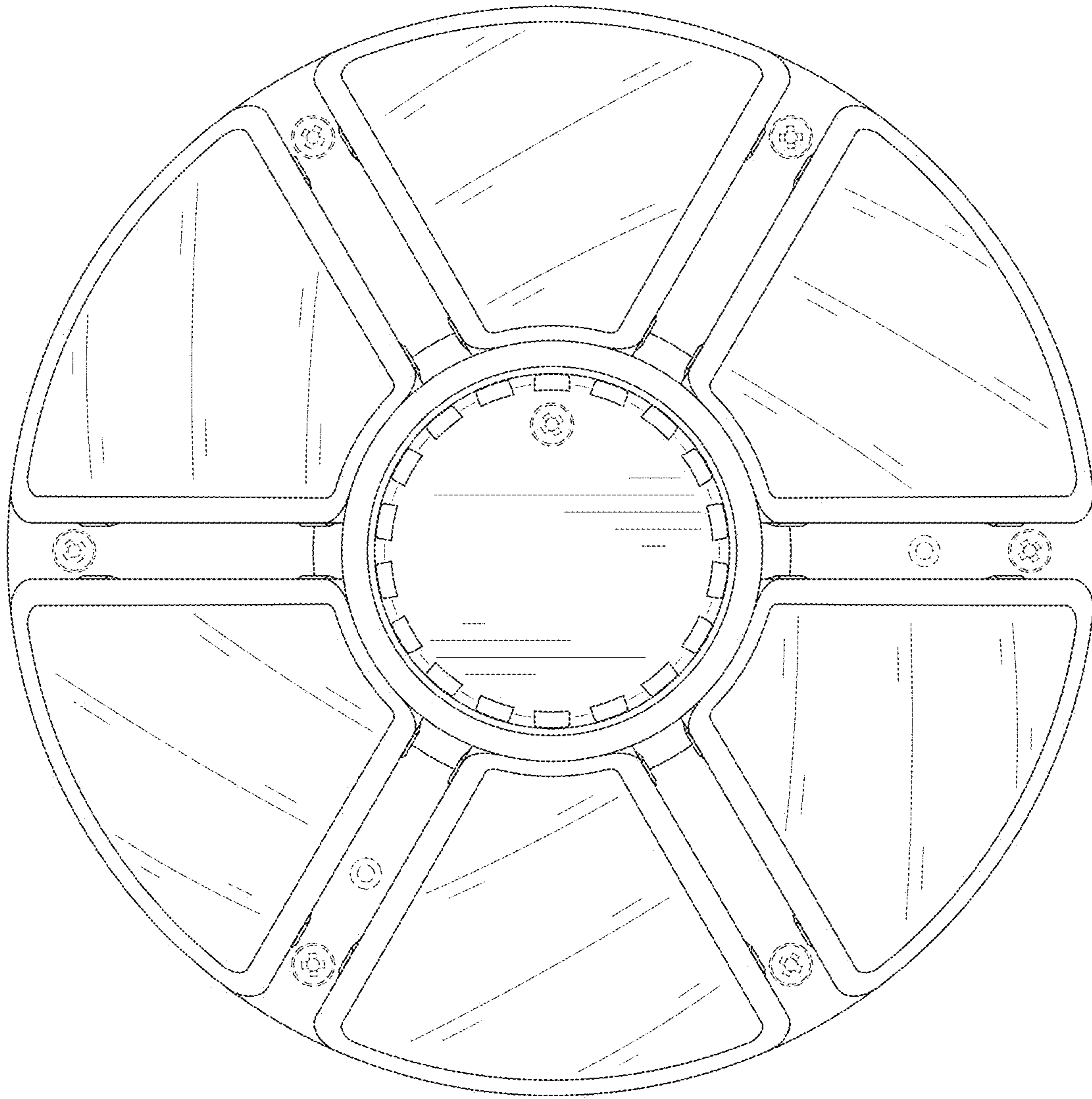


FIG. 8