

US00D898234S

(12) **United States Design Patent** (10) **Patent No.:** **US D898,234 S**  
**Repasky et al.** (45) **Date of Patent:** **\*\* Oct. 6, 2020**

(54) **PAVER PEDESTAL**  
(71) Applicant: **Hanover Prest-Paving Company,**  
Hanover, PA (US)  
(72) Inventors: **Kevin Repasky,** Hanover, PA (US);  
**Brian Repasky,** York, PA (US)  
(73) Assignee: **Hanover Prest-Paving Company,**  
Hanover, PA (US)

5,333,423 A 8/1994 Propst  
5,377,468 A 1/1995 Repasky  
5,442,882 A 8/1995 Repasky  
5,479,745 A 1/1996 Kawai et al.  
5,588,264 A 12/1996 Buzon  
5,791,096 A 8/1998 Chen  
5,862,635 A 1/1999 Linse et al.  
6,332,292 B1 12/2001 Buzon  
(Continued)

(\*\*) Term: **15 Years**

(21) Appl. No.: **29/682,427**

(22) Filed: **Mar. 5, 2019**

(51) **LOC (12) Cl.** ..... **25-99**

(52) **U.S. Cl.**  
USPC ..... **D25/199**

(58) **Field of Classification Search**  
USPC ..... D25/199; 52/126.6, 745.05, 747.1, 263,  
52/126.5; D8/354, 355, 352, 349  
CPC .. E04D 11/007; E04D 13/12; E04F 15/02464;  
E04F 15/02022; E04F 15/0247; E04F  
15/02482; E04F 2015/02111; E04F  
2015/02127  
See application file for complete search history.

(56) **References Cited**

**U.S. PATENT DOCUMENTS**

3,466,824 A 9/1969 Troutner  
3,616,584 A 11/1971 Sartori et al.  
4,085,557 A 4/1978 Tharp  
4,277,923 A 7/1981 Rebentisch et al.  
4,417,426 A 11/1983 Meng  
4,558,544 A 12/1985 Albrecht et al.  
4,570,397 A 2/1986 Creske  
4,736,555 A 4/1988 Nagare et al.  
4,759,162 A 7/1988 Wyse  
4,780,571 A 10/1988 Huang  
4,901,490 A 2/1990 Zinniel et al.  
4,996,804 A 3/1991 Naka et al.

**OTHER PUBLICATIONS**

Bison, "Bison Deck Supports ScrewJack B-Series Specifications",  
pp. 1-4, Oct. 6, 2005.

(Continued)

*Primary Examiner* — Gino Colan

(74) *Attorney, Agent, or Firm* — Barley Snyder

(57) **CLAIM**

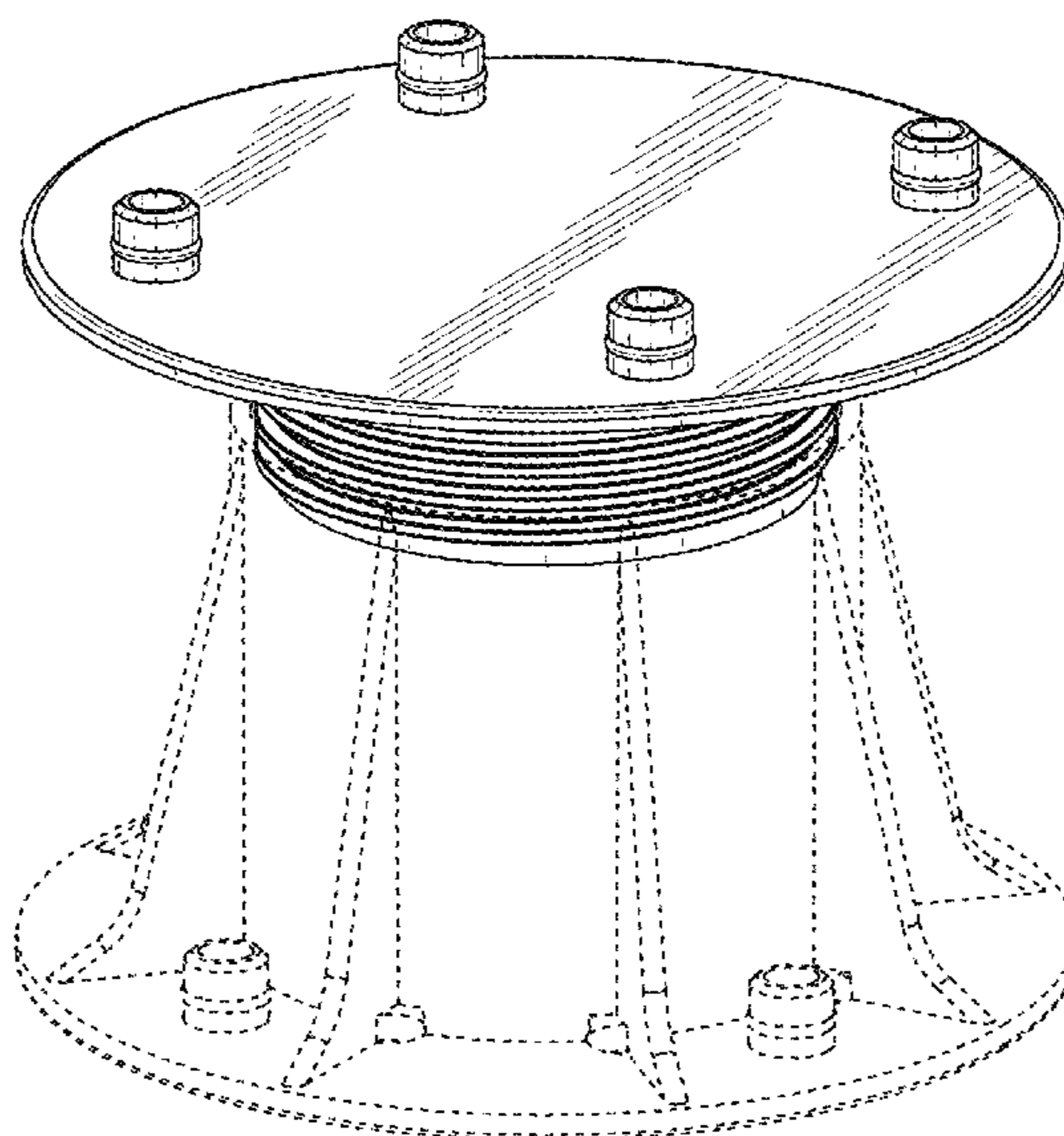
The ornamental design for a paver pedestal, as shown and  
described.

**DESCRIPTION**

FIG. 1 is a front, top and left side perspective view of a paver  
pedestal showing our new design;  
FIG. 2 is a top perspective view thereof;  
FIG. 3 is a top plan view thereof;  
FIG. 4 is a front elevation view thereof;  
FIG. 5 is a rear elevation view thereof;  
FIG. 6 is a bottom plan view thereof;  
FIG. 7 is a right side elevation view thereof;  
FIG. 8 is a left side elevation view thereof;  
FIG. 9 is a front, bottom and left side perspective view  
thereof; and,  
FIG. 10 is a rear, bottom and right side perspective view  
thereof.

The broken lines shown in the figures are for the purpose of  
illustrating portions of the paver pedestal and form no part  
of the claimed design.

**1 Claim, 5 Drawing Sheets**



(56)

References Cited

U.S. PATENT DOCUMENTS

6,363,685 B1 4/2002 Kugler  
 6,520,471 B2 2/2003 Jones et al.  
 6,604,330 B2 8/2003 Repasky  
 D557,830 S \* 12/2007 Lee ..... D25/199  
 7,650,726 B2 1/2010 Jakob-Bamberg et al.  
 7,918,059 B2 \* 4/2011 Repasky ..... E04D 11/007  
 52/126.4  
 8,128,312 B2 3/2012 Stuchell  
 8,256,175 B2 \* 9/2012 Buzon ..... E04F 15/0247  
 248/188.4  
 8,381,461 B2 \* 2/2013 Repasky ..... E04D 11/007  
 52/126.6  
 8,429,860 B2 \* 4/2013 Kugler ..... E04D 11/007  
 403/187  
 8,695,288 B2 \* 4/2014 Kugler ..... E04F 15/02183  
 52/100  
 D861,197 S \* 9/2019 Lee ..... D25/199  
 2002/0078638 A1 6/2002 Huang  
 2002/0148173 A1 10/2002 Kugler  
 2004/0035064 A1 2/2004 Kugler et al.  
 2004/0074170 A1 4/2004 Huang  
 2004/0261325 A1 12/2004 Glynos  
 2004/0261329 A1 \* 12/2004 Kugler ..... E04F 15/02183  
 52/126.6  
 2008/0053017 A1 3/2008 Hockemeyer et al.

2008/0053018 A1 3/2008 Hockemeyer et al.  
 2008/0222973 A1 9/2008 Lee et al.  
 2013/0219809 A1 \* 8/2013 Tabibnia ..... E04F 15/02482  
 52/126.6

OTHER PUBLICATIONS

Bison, "Bison ScrewJack B Series Pedestals", pp. 1-2, Sep. 30, 2005.  
 Elmich, "VersiJack", 9 pages, Oct. 9, 2006.  
 Wausau Tile, "Pedestal/Roof Deck System Components", (<http://www.wausautile.com/paving/pedestalRoofDeckSystems.cfm>) Apr. 3, 2009.  
 Wausau Tile, "Terra System One Level Installation, Terr-Adjust System", (<http://www.wausautile.com>), Apr. 3, 2009.  
 Wausau Tile, "Terra System One Level Installation, Terra-Stand System", (<http://www.wausautile.com>), Apr. 3, 2009.  
 Westile, "Pedestals", (<http://www.westile.com/pedestal.asp?img=13&cat=comm&ped=acc>) Apr. 3, 2009.  
 Westile, "ScrewJack Pedestals", (<http://www.westile.com>), Dec. 2006.  
 SilcaSystem, A Better Way to Build a Deck, [www.SilcaSystem.com](http://www.SilcaSystem.com), 2 pages.  
 SilcaSystem, Intstallation Guide for Silca Grate, [www.SilcaSystem.com](http://www.SilcaSystem.com), 2 pages.

\* cited by examiner

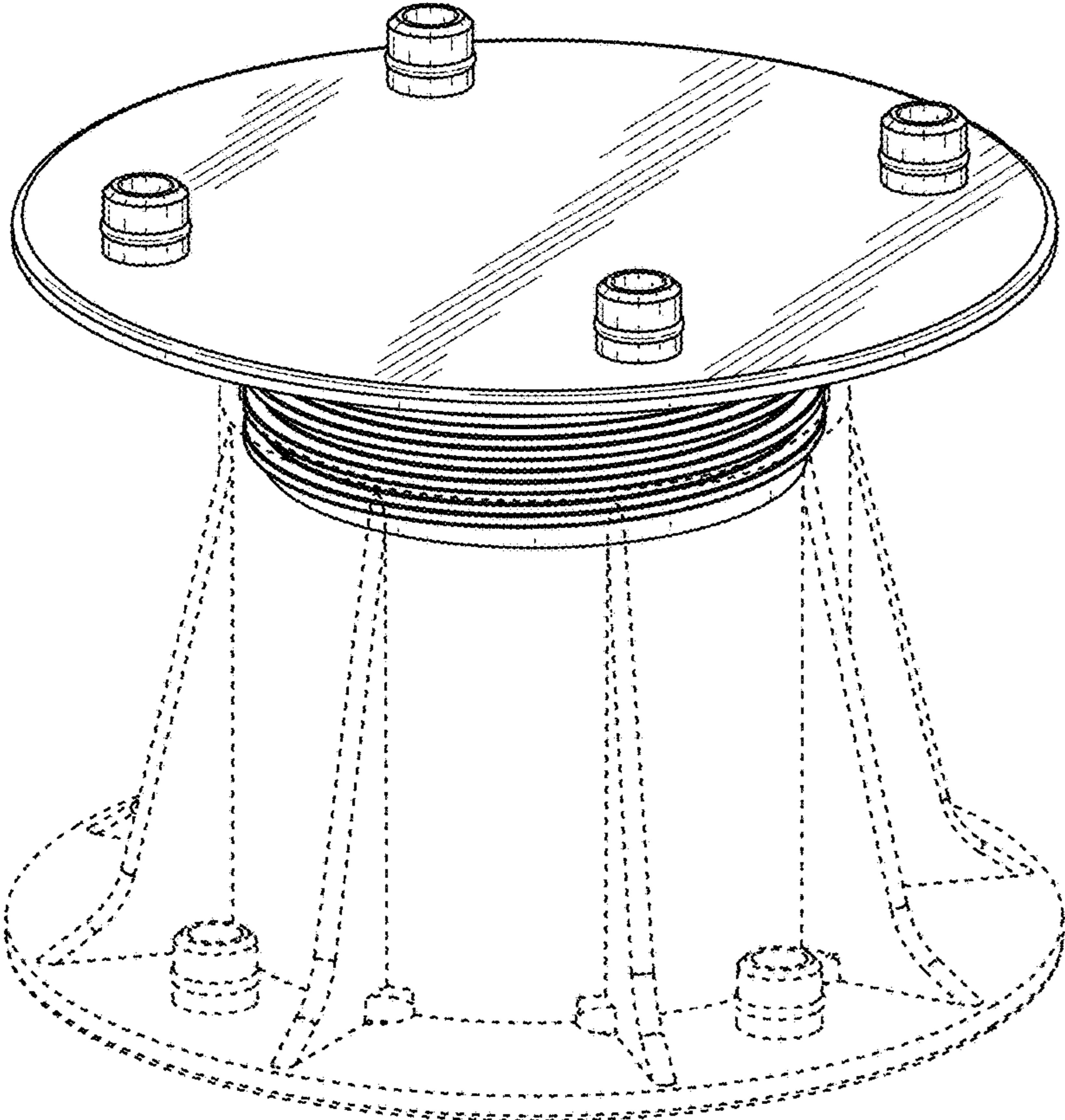


FIG. 1

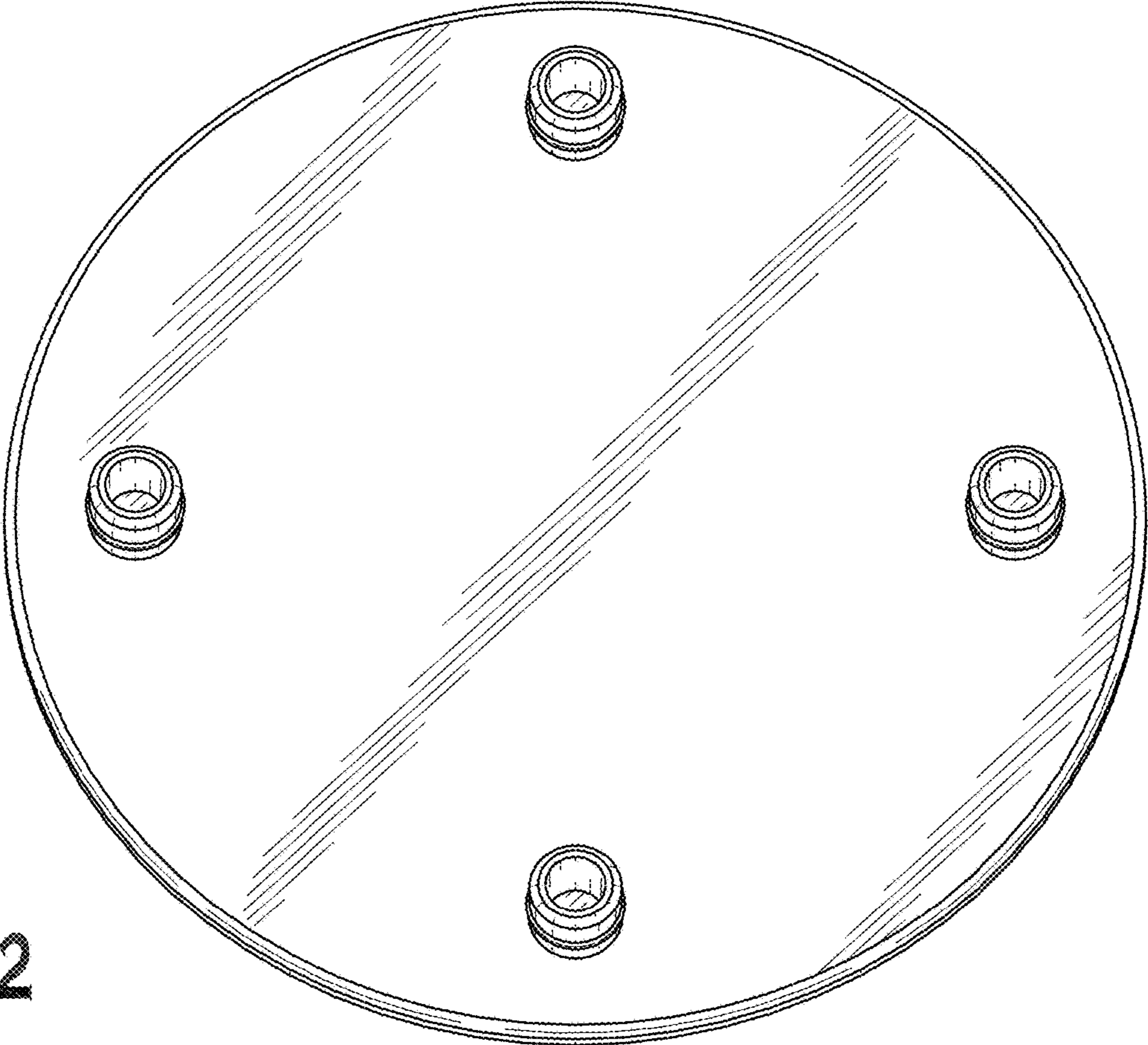


FIG. 2

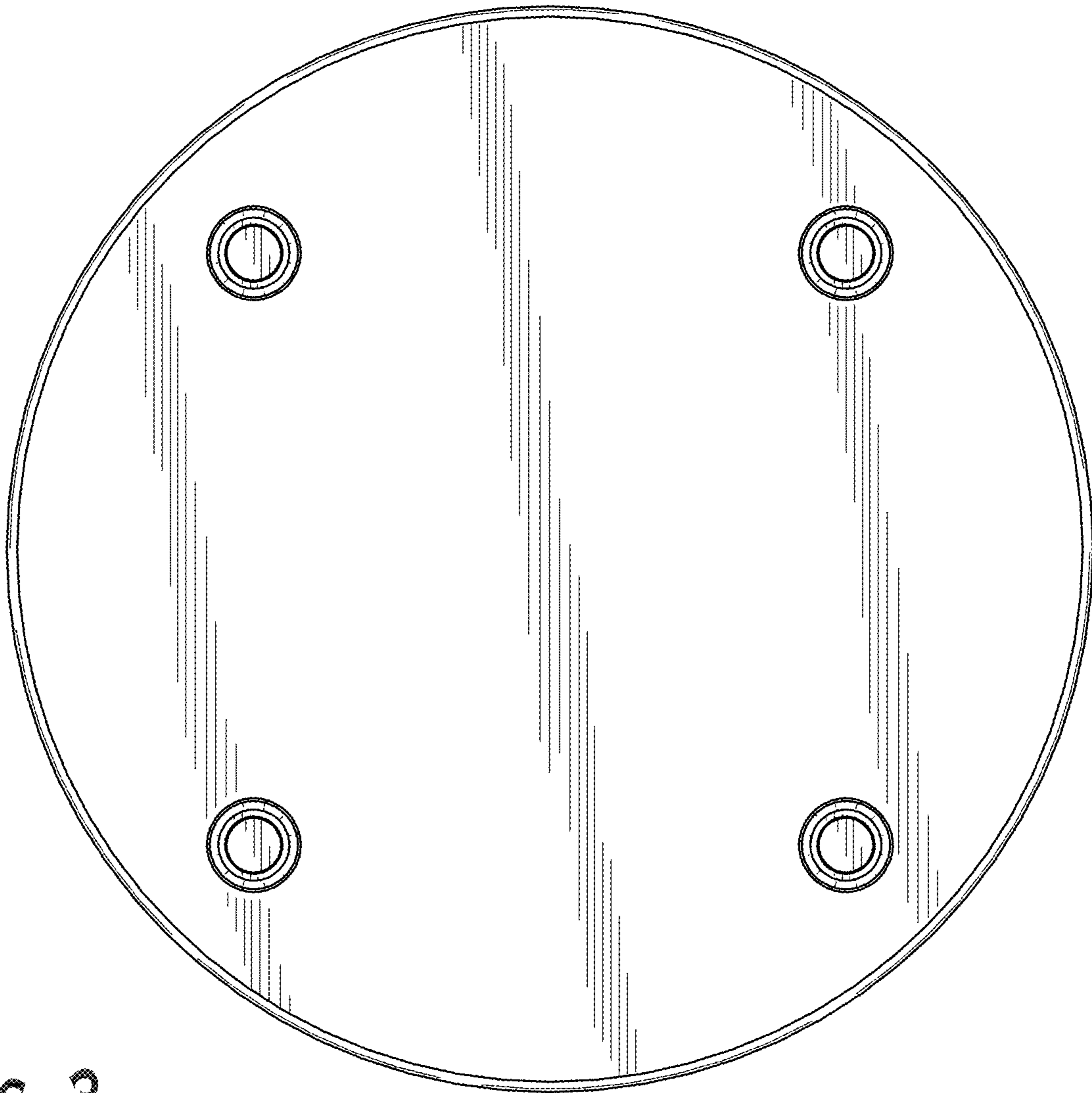


FIG. 3

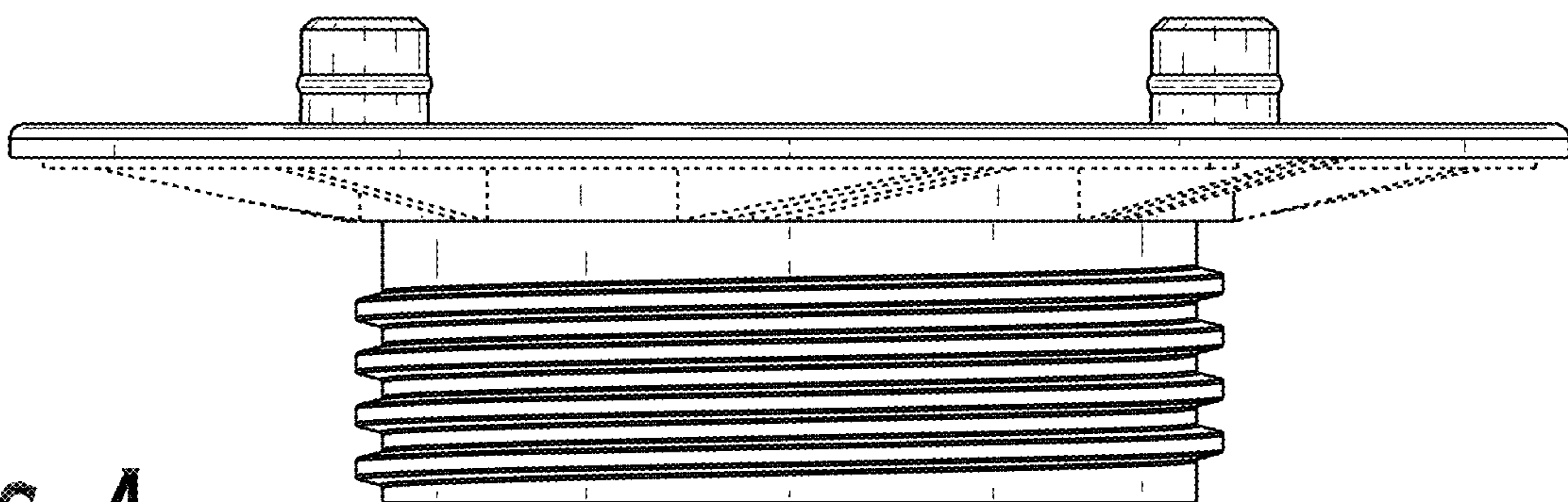


FIG. 4

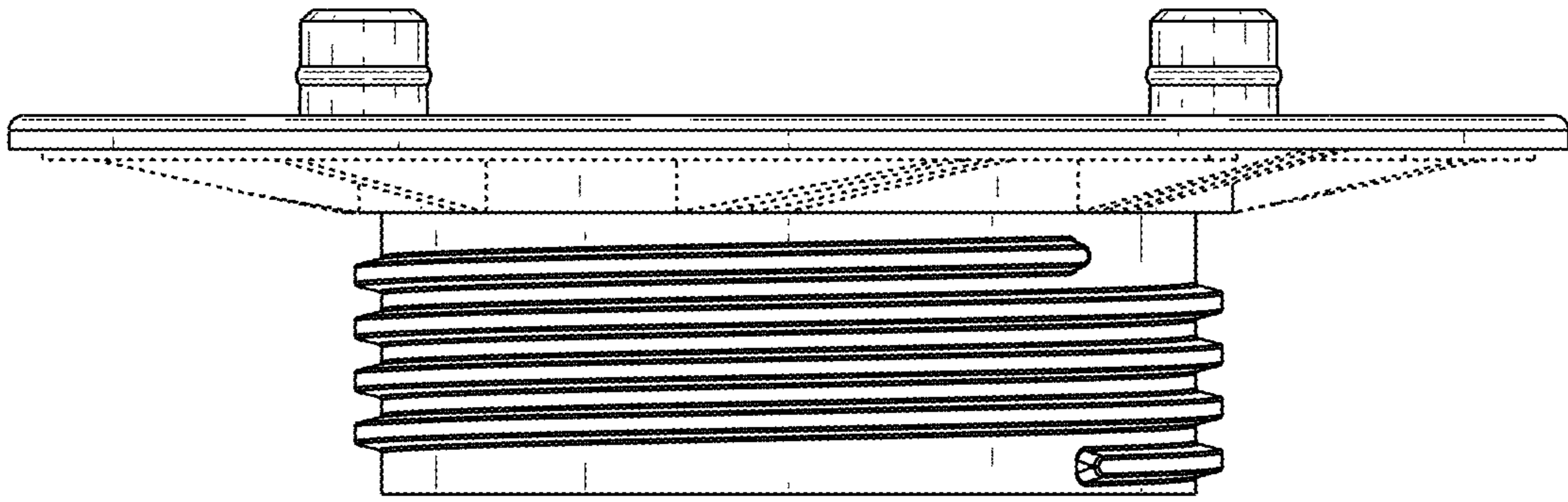


FIG. 5

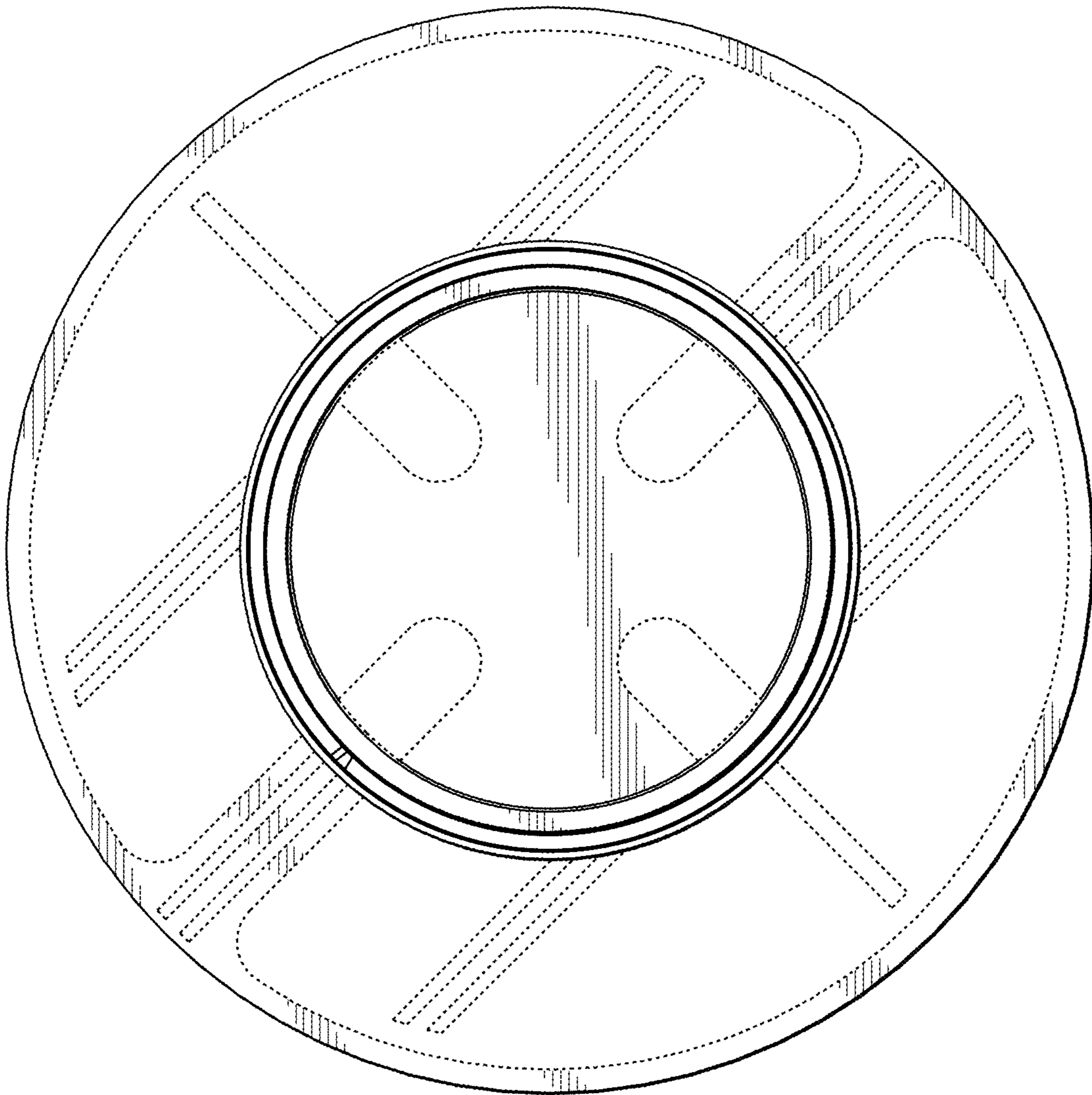


FIG. 6

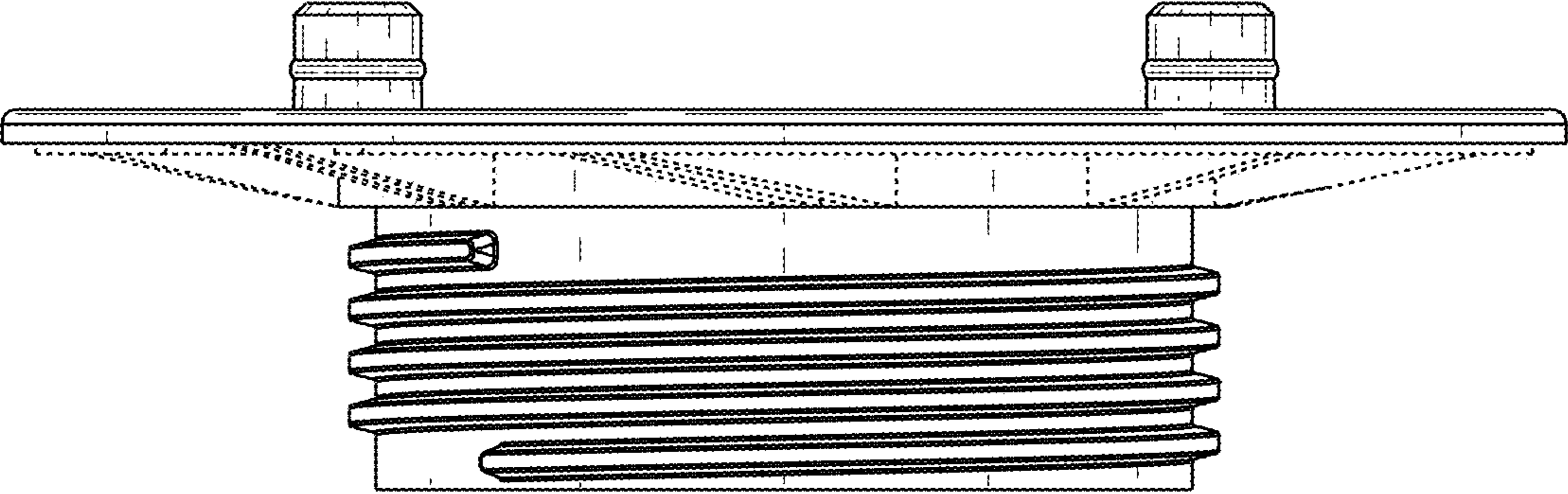


FIG. 7

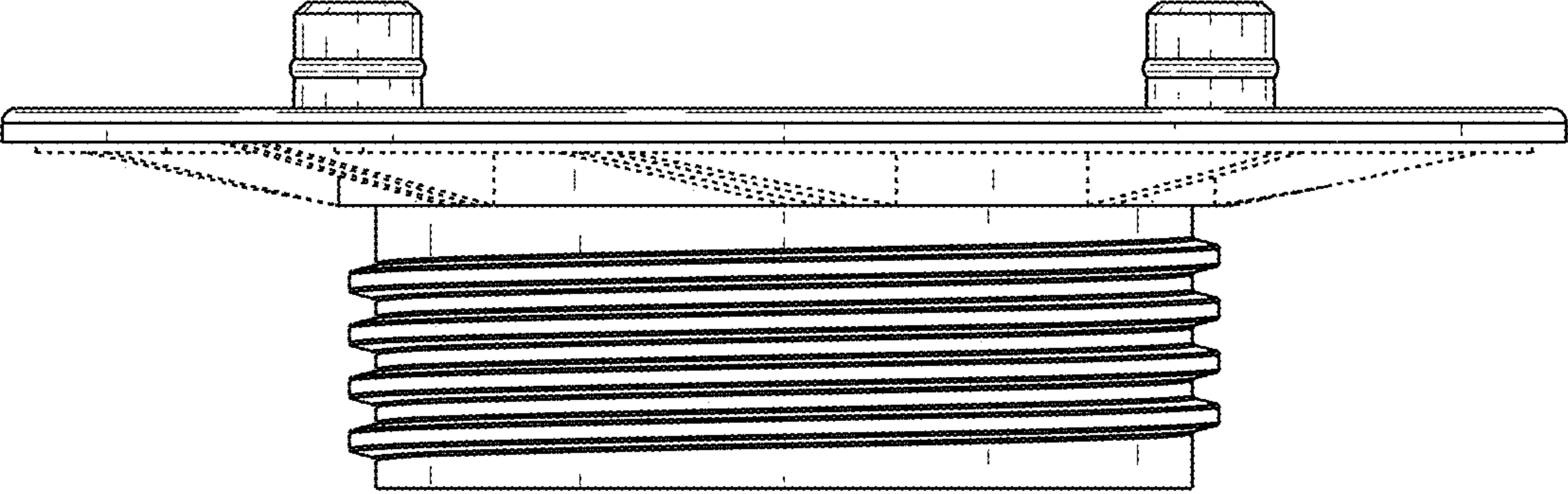


FIG. 8

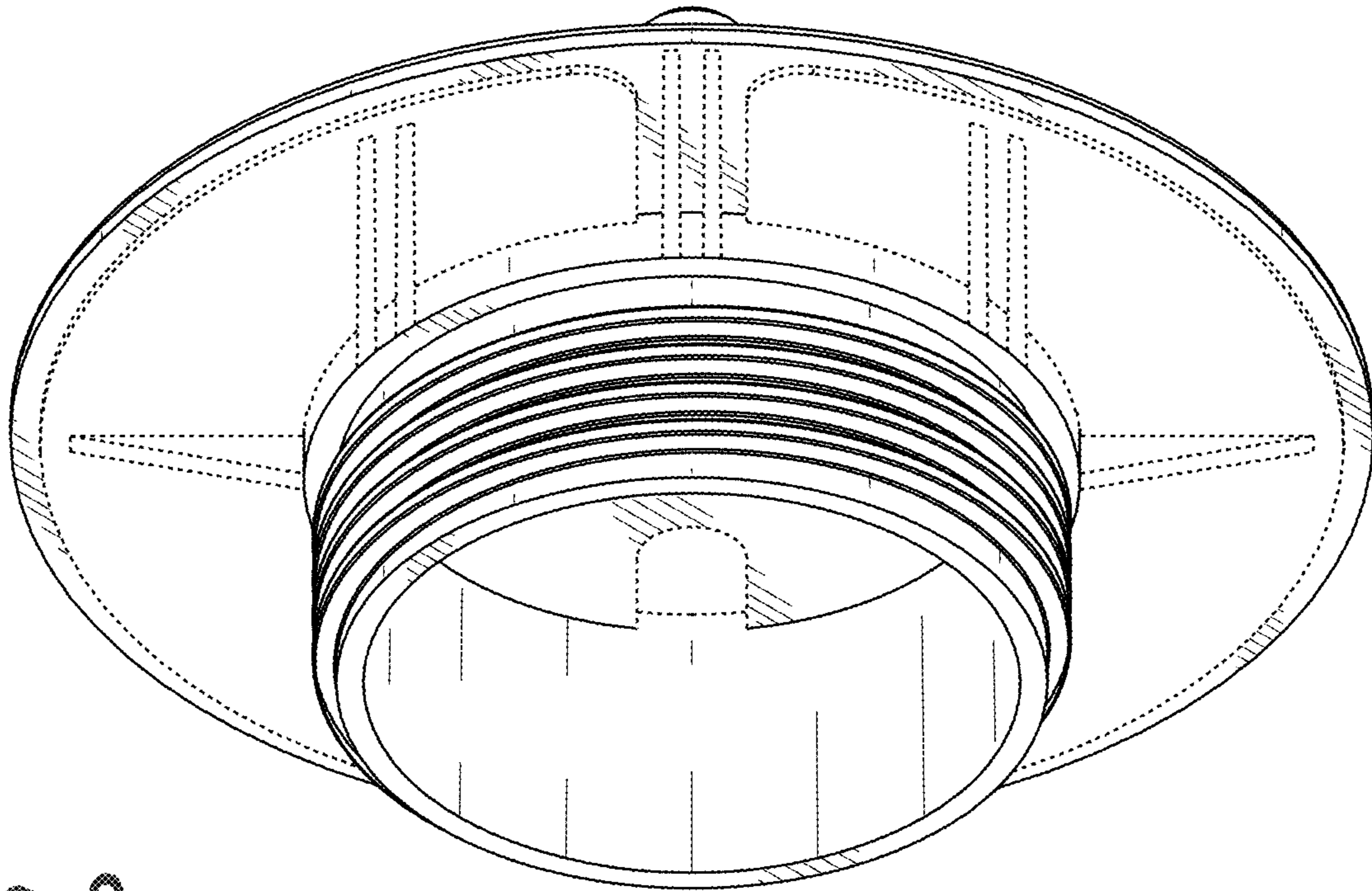


FIG. 9

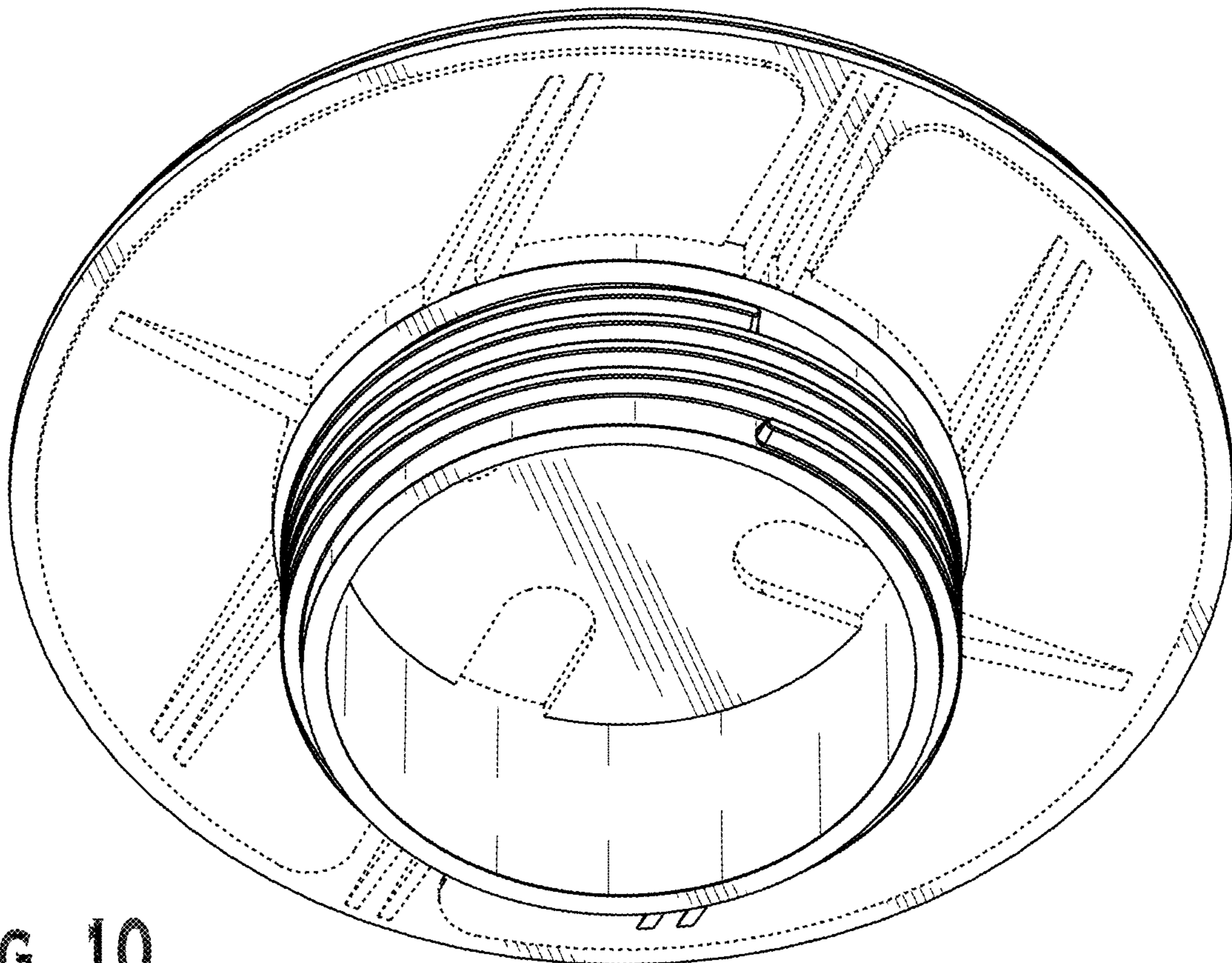


FIG. 10