



US00D898233S

(12) **United States Design Patent** (10) **Patent No.:** **US D898,233 S**
Repasky et al. (45) **Date of Patent:** **** Oct. 6, 2020**

(54) **PAVER PEDESTAL**
(71) Applicant: **Hanover Prest-Paving Company,**
Hanover, PA (US)
(72) Inventors: **Kevin Repasky,** Hanover, PA (US);
Brian Repasky, York, PA (US)
(73) Assignee: **Hanover Prest-Paving Company,**
Hanover, PA (US)

5,333,423 A 8/1994 Propst
5,377,468 A 1/1995 Repasky
5,442,882 A 8/1995 Repasky
5,479,745 A 1/1996 Kawai et al.
5,588,264 A 12/1996 Buzon
5,791,096 A 8/1998 Chen
5,862,635 A 1/1999 Linse et al.
6,332,292 B1 12/2001 Buzon
(Continued)

(**) Term: **15 Years**

(21) Appl. No.: **29/676,865**

(22) Filed: **Jan. 15, 2019**

(51) **LOC (12) Cl.** **25-99**

(52) **U.S. Cl.**
USPC **D25/199**

(58) **Field of Classification Search**
USPC D25/199; D8/354, 355, 352, 349;
52/745.05, 126.6, 747.1, 263, 126.5
CPC .. E04D 11/007; E04D 13/12; E04F 15/02464;
E04F 15/02022; E04F 15/0247; E04F
15/02482; E04F 2015/02111; E04F
2015/02127

See application file for complete search history.

(56) **References Cited**

U.S. PATENT DOCUMENTS

3,466,824 A 9/1969 Troutner
3,616,584 A 11/1971 Sartori et al.
4,085,557 A 4/1978 Tharp
4,277,923 A 7/1981 Rebentisch et al.
4,417,426 A 11/1983 Meng
4,558,544 A 12/1985 Albrecht et al.
4,570,397 A 2/1986 Creske
4,736,555 A 4/1988 Nagare et al.
4,759,162 A 7/1988 Wyse
4,780,571 A 10/1988 Huang
4,901,490 A 2/1990 Zinniel et al.
4,996,804 A 3/1991 Naka et al.

OTHER PUBLICATIONS

Bison, "Bison Deck Supports ScrewJack B—Series Specifications",
pp. 1-4, Oct. 6, 2005.

(Continued)

Primary Examiner — Gino Colan

(74) *Attorney, Agent, or Firm* — Barley Snyder

(57) **CLAIM**

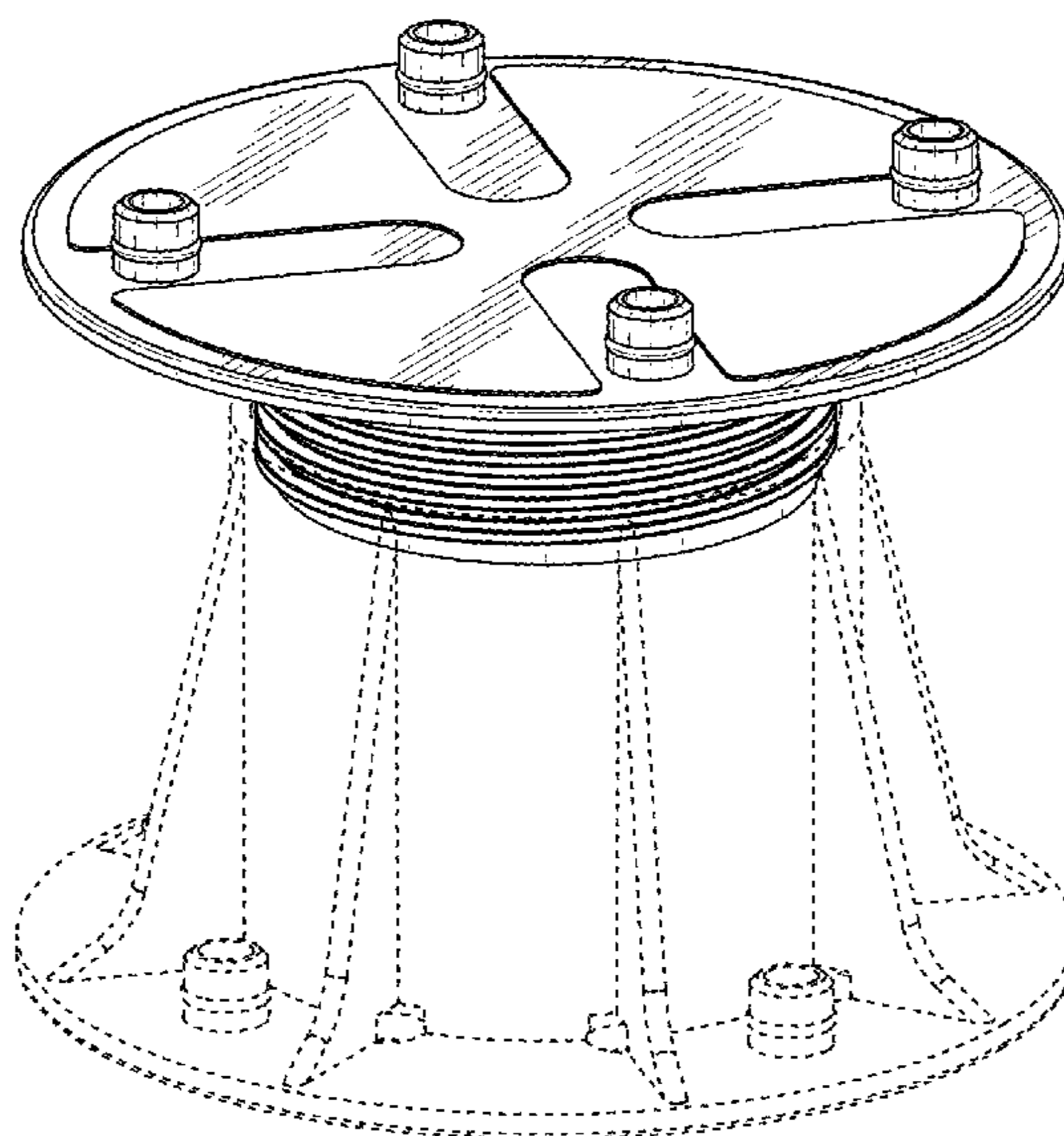
The ornamental design for a paver pedestal, as shown and
described.

DESCRIPTION

FIG. 1 is a front, top and left side perspective view of a paver
pedestal showing our new design;
FIG. 2 is a top perspective view thereof;
FIG. 3 is a top plan view thereof;
FIG. 4 is a front elevation view thereof;
FIG. 5 is a rear elevation view thereof;
FIG. 6 is a bottom plan view thereof;
FIG. 7 is a right side elevation view thereof;
FIG. 8 is a left side elevation view thereof;
FIG. 9 is a front, bottom and left side perspective view
thereof; and,
FIG. 10 is a rear, bottom and right side perspective view
thereof.

The broken lines shown in the figures are for the purpose of
illustrating portions of the paver pedestal and form no part
of the claimed design.

1 Claim, 5 Drawing Sheets



(56)

References Cited

U.S. PATENT DOCUMENTS

6,363,685	B1	4/2002	Kugler	
6,520,471	B2	2/2003	Jones et al.	
6,604,330	B2	8/2003	Repasky	
6,631,878	B1 *	10/2003	Adam	F16M 7/00 248/188.4
7,650,726	B2	1/2010	Jakob-Bamberg	
8,128,312	B2	3/2012	Stuchell	
8,256,175	B2 *	9/2012	Buzon	E04F 15/0247 248/188.4
8,381,461	B2 *	2/2013	Repasky	E04D 11/007 52/126.1
D728,185	S *	4/2015	Pelc	D34/31
D861,197	S *	9/2019	Lee	D25/199
2002/0078638	A1	6/2002	Huang	
2002/0148173	A1	10/2002	Kugler	
2004/0035064	A1	2/2004	Kugler et al.	
2004/0074170	A1	4/2004	Huang	
2004/0261325	A1	12/2004	Glynos	
2004/0261329	A1 *	12/2004	Kugler	E04F 15/02183 52/126.6
2008/0053017	A1	3/2008	Hockemeyer et al.	
2008/0053018	A1	3/2008	Hockemeyer et al.	
2008/0222973	A1	9/2008	Lee et al.	
2009/0173018	A1 *	7/2009	Buzon	E04F 15/0247 52/126.6
2013/0219809	A1 *	8/2013	Tabibnia	E04F 15/02482 52/126.6

OTHER PUBLICATIONS

Bison, "Bison ScrewJack B Series Pedestals", pp. 1-2, Sep. 30, 2005.

Elmich, "VersiJack", 9 pp., Oct. 9, 2006.

Wausau Tile, "Pedestal/Roof Deck System Components", (<http://www.wausautile.com/paving/pedestalRoofDeckSystems.cfm>) Apr. 3, 2009.

Wausau Tile, "Terra System One Level Installation, Terr-Adjust System", (<http://www.wausautile.com>), Apr. 3, 2009.

Wausau Tile, "Terra System One Level Installation, Terra-Stand System", (<http://www.wausautile.com>), Apr. 3, 2009.

Westile, "Pedestals", (<http://www.westile.com/pedestal.asp?img=13&cat=comm&ped=acc>) Apr. 3, 2009.

Westile, "ScrewJack Pedestals", (<http://www.westile.com>), Dec. 2006.

SilcaSystem, A Better Way to Build a Deck, www.SilcaSystem.com, 2 pages.

SilcaSystem, Intstallation Guide for Silca Grate, www.SilcaSystem.com, 2 pages.

* cited by examiner

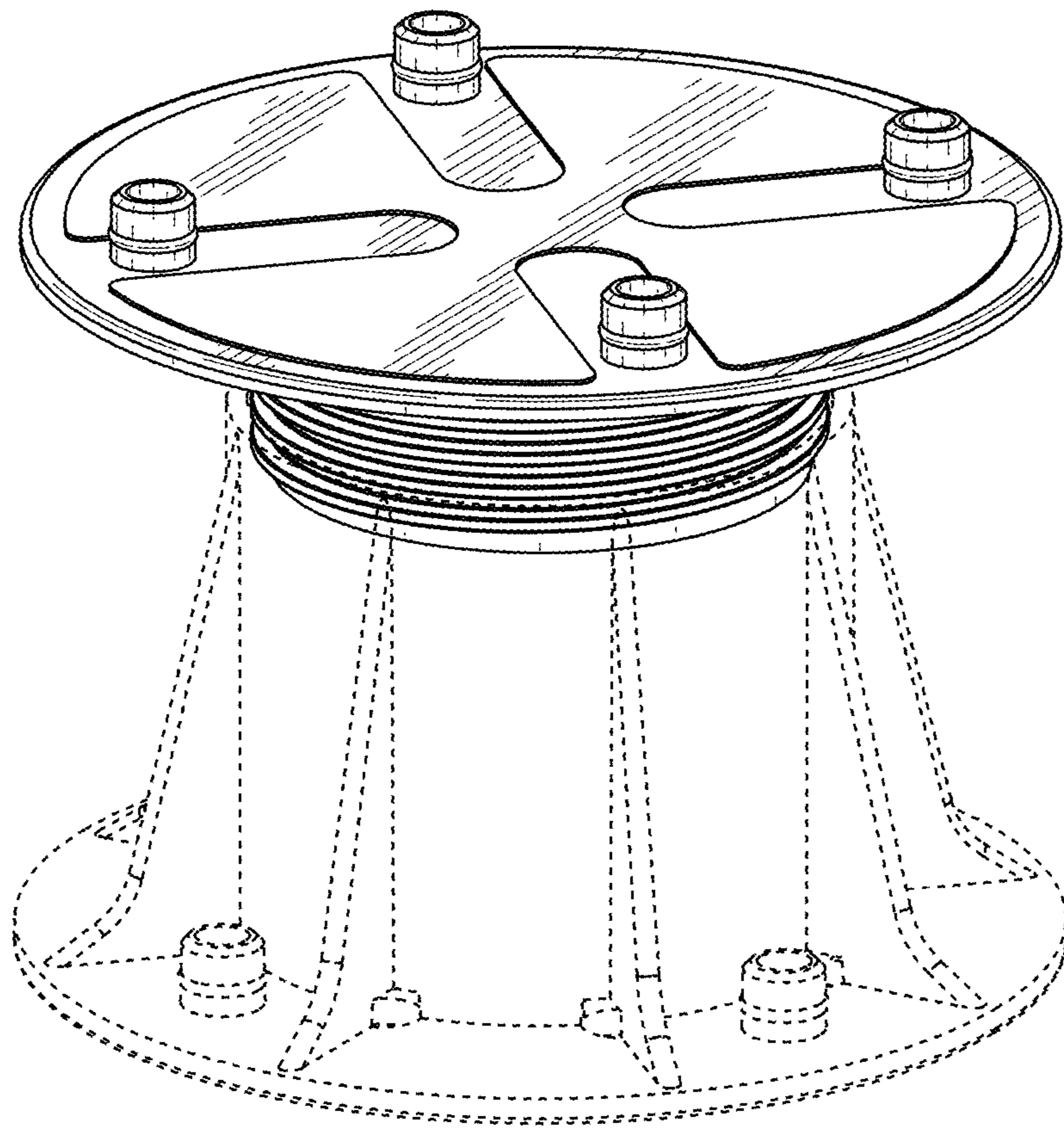


FIG. 1

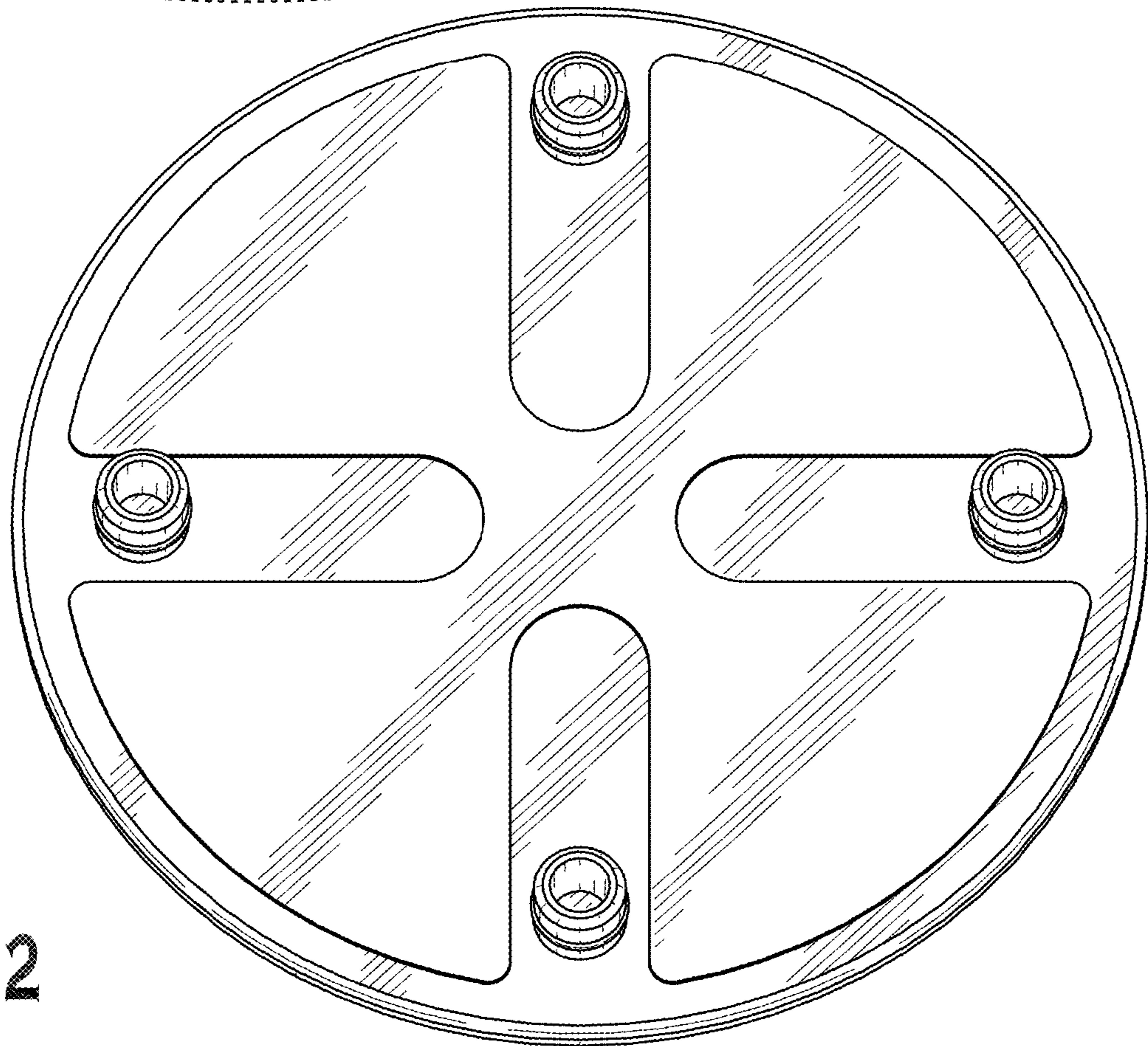


FIG. 2

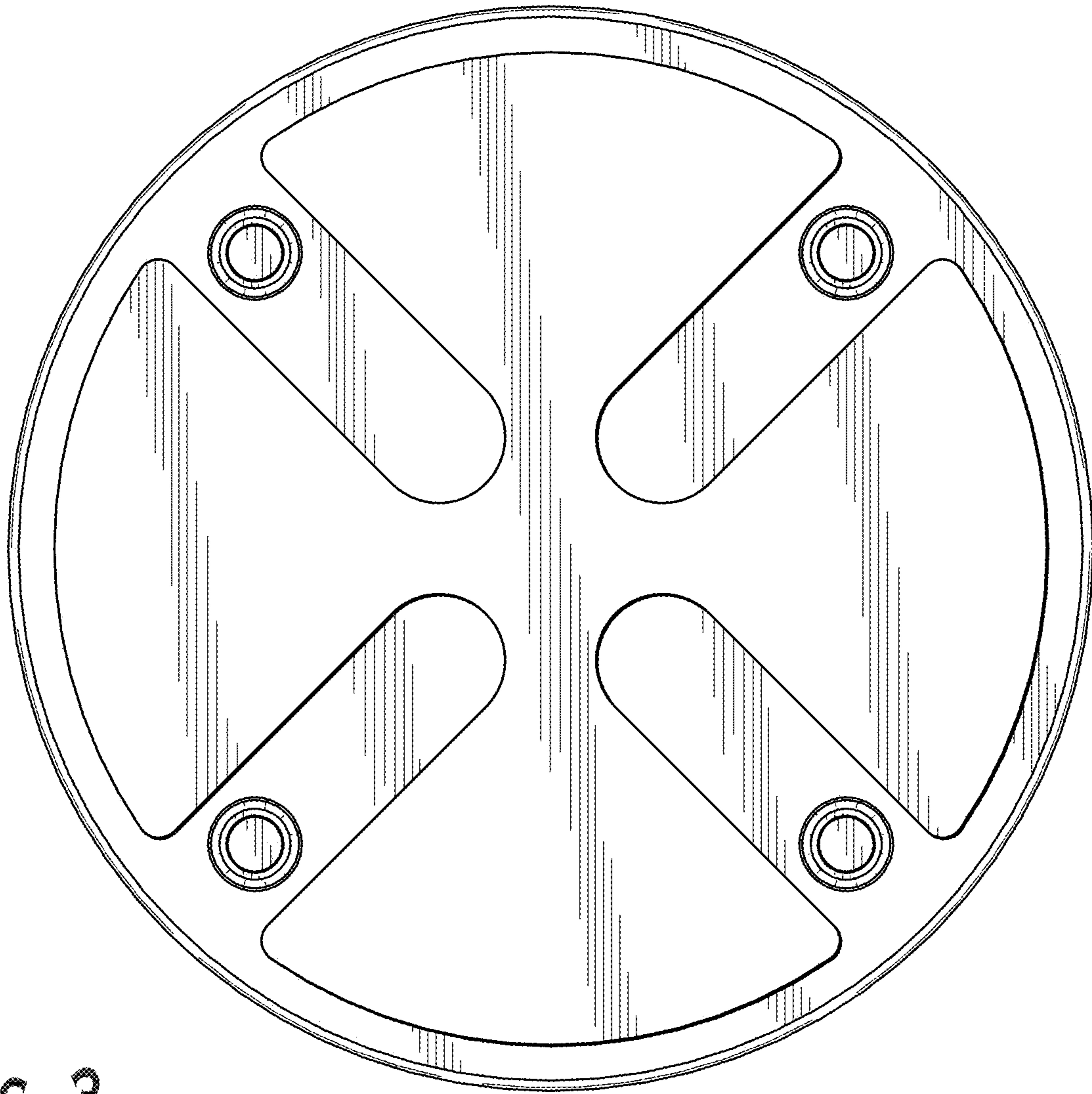


FIG. 3

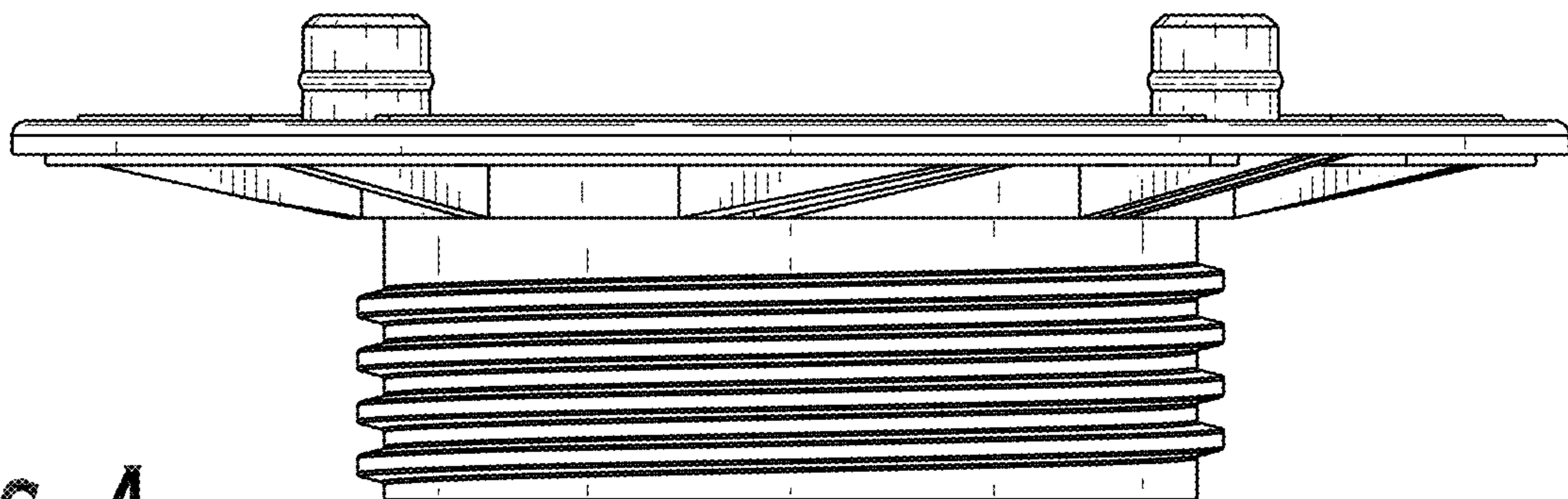


FIG. 4

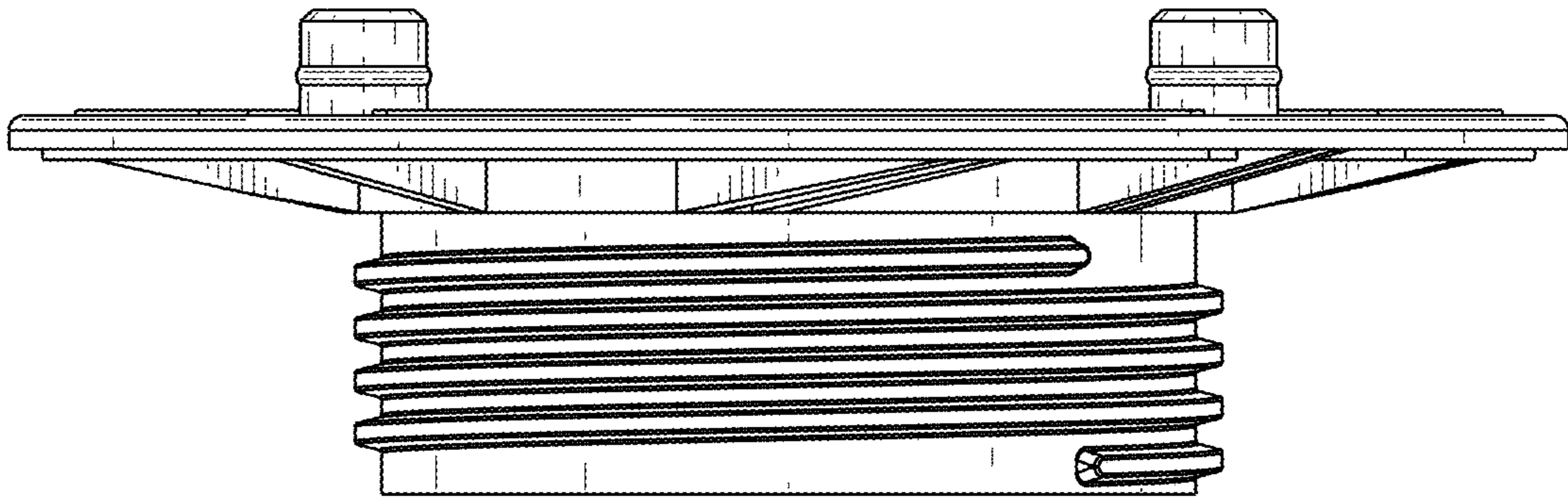


FIG. 5

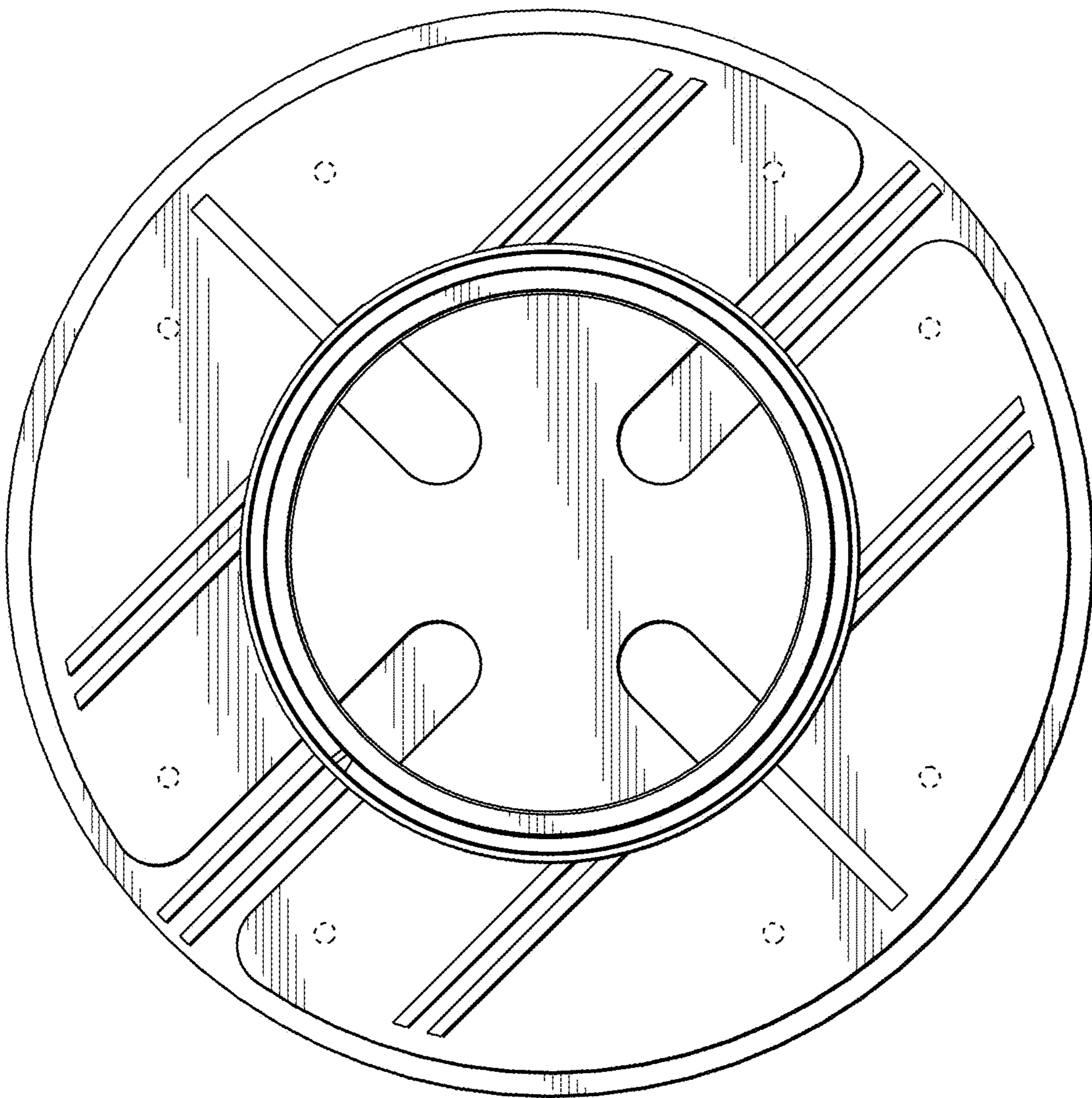


FIG. 6

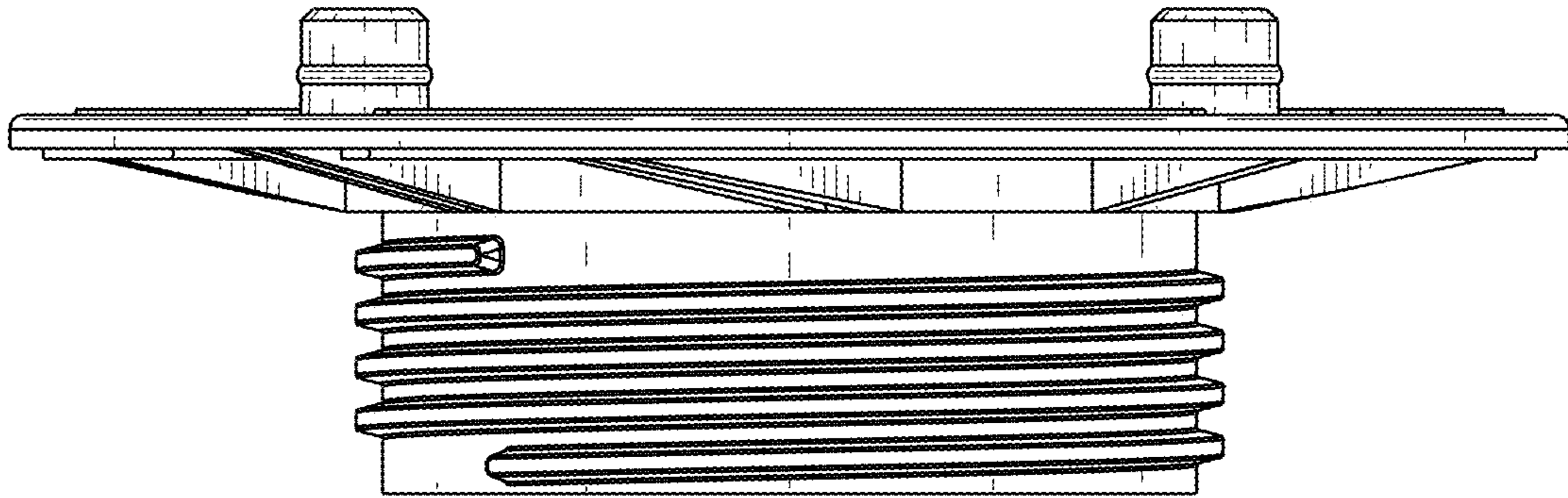


FIG. 7

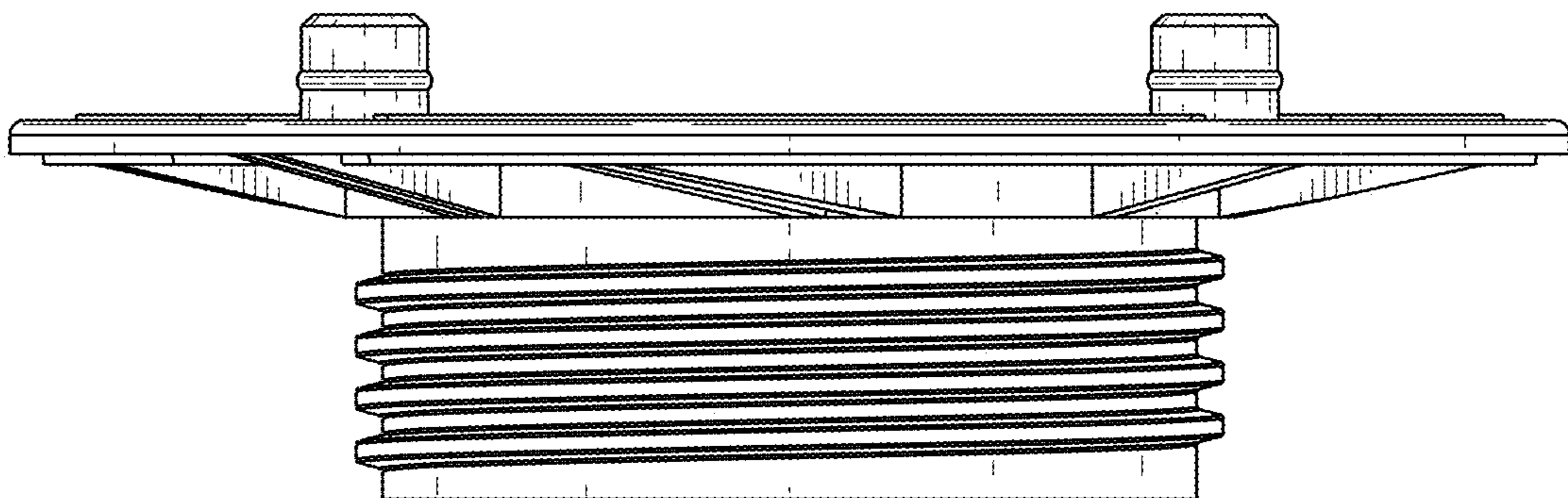


FIG. 8

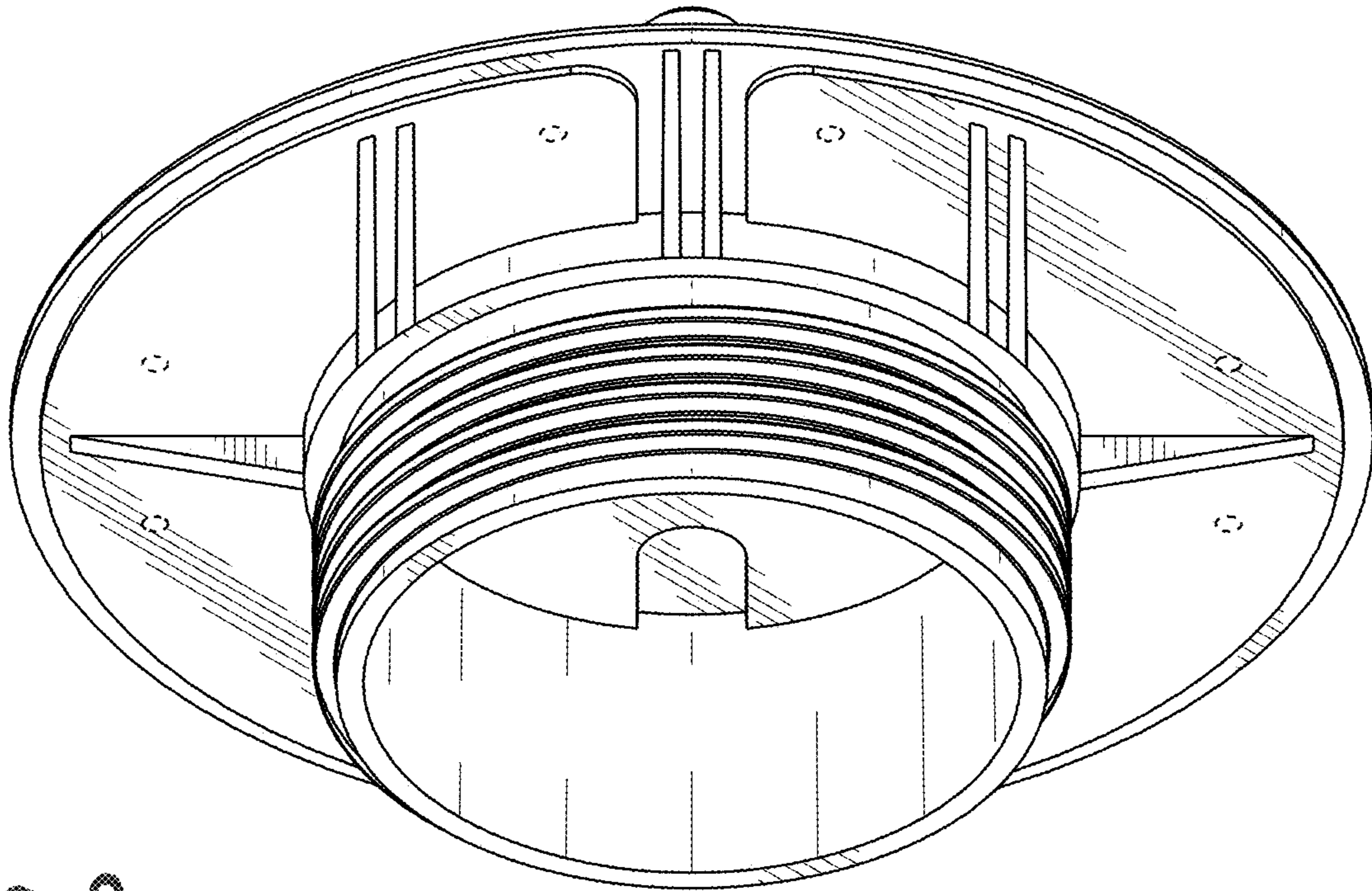


FIG. 9

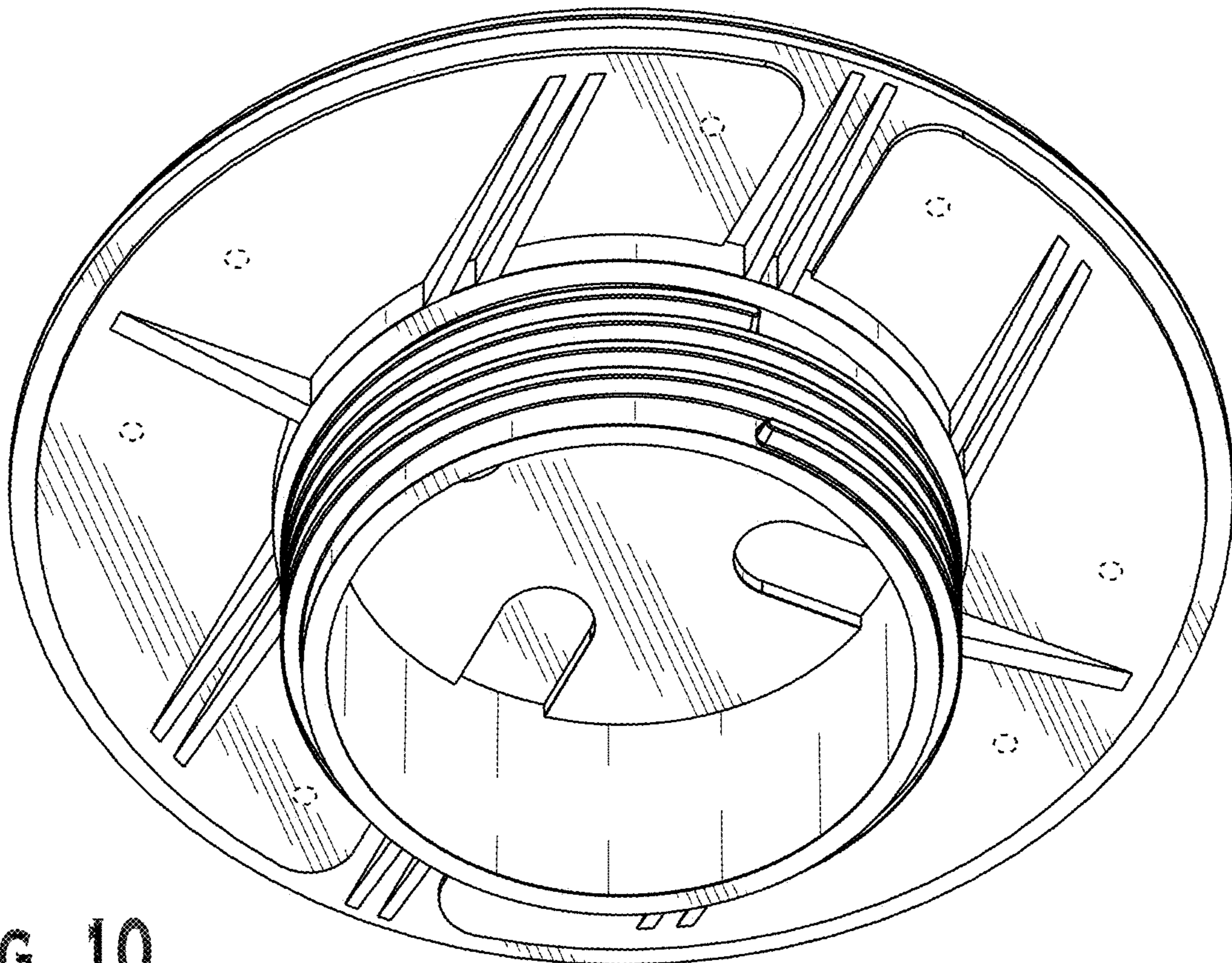


FIG. 10