



US00D898230S

(12) **United States Design Patent** (10) **Patent No.:** **US D898,230 S**
Bennett et al. (45) **Date of Patent:** **** Oct. 6, 2020**

(54) **MOLDED SURFACE OF A CONCRETE PRODUCT**

FOREIGN PATENT DOCUMENTS

(71) Applicant: **Anchor Wall Systems, Inc.**,
Minnetonka, MN (US)

CA 115941 S 12/2006
EM 000461850-0006 5/2006

(Continued)

(72) Inventors: **Steven Paul Bennett**, Coon Rapids,
MN (US); **Robert Brian Burnquist**,
Chaska, MN (US); **Jay J. Johnson**,
Star Prairie, WI (US)

OTHER PUBLICATIONS

Natural Impressions Ashlarstone Retaining Wall System <https://www.anchorwall.com/walls/natural-impressions-ashlarstone-4-x-12-retaining-wall-system> Available May 21, 2016 (Year: 2016).*

(Continued)

(73) Assignee: **Anchor Wall Systems, Inc.**,
Minnetonka, MN (US)

Primary Examiner — Leanne Was-Englehart

(**) Term: **15 Years**

(74) *Attorney, Agent, or Firm* — Merchant & Gould P.C.

(21) Appl. No.: **29/699,132**

(57) **CLAIM**

The ornamental design for a molded surface of a concrete product, as shown and described.

(22) Filed: **Jul. 23, 2019**

DESCRIPTION

Related U.S. Application Data

(62) Division of application No. 29/620,615, filed on Mar. 15, 2017, now Pat. No. Des. 860,477.

(51) **LOC (12) Cl.** **25-01**

(52) **U.S. Cl.**
USPC **D25/113**

(58) **Field of Classification Search**
USPC D21/484–491, 499–504; D25/113–118,
D25/151, 163, 164

(Continued)

(56) **References Cited**

U.S. PATENT DOCUMENTS

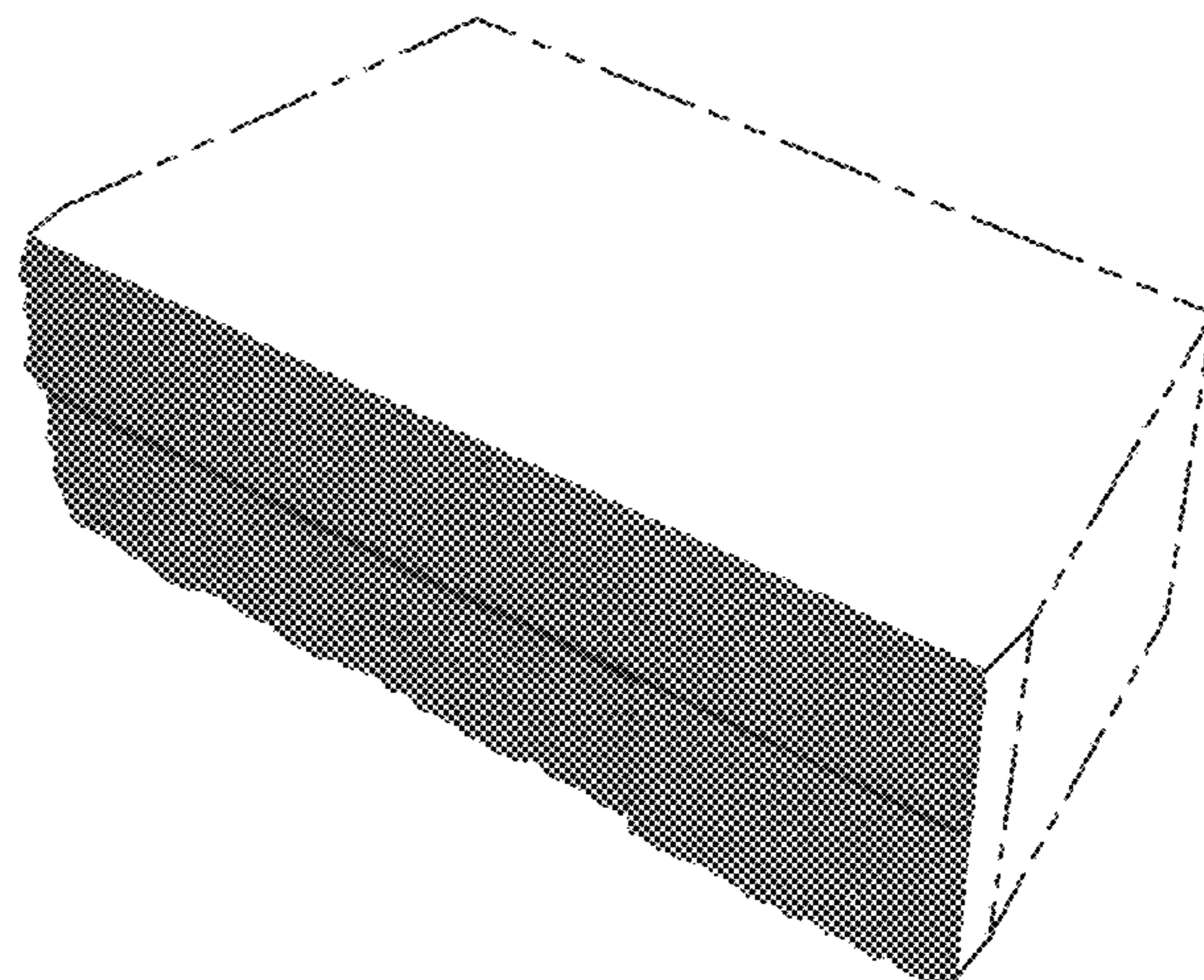
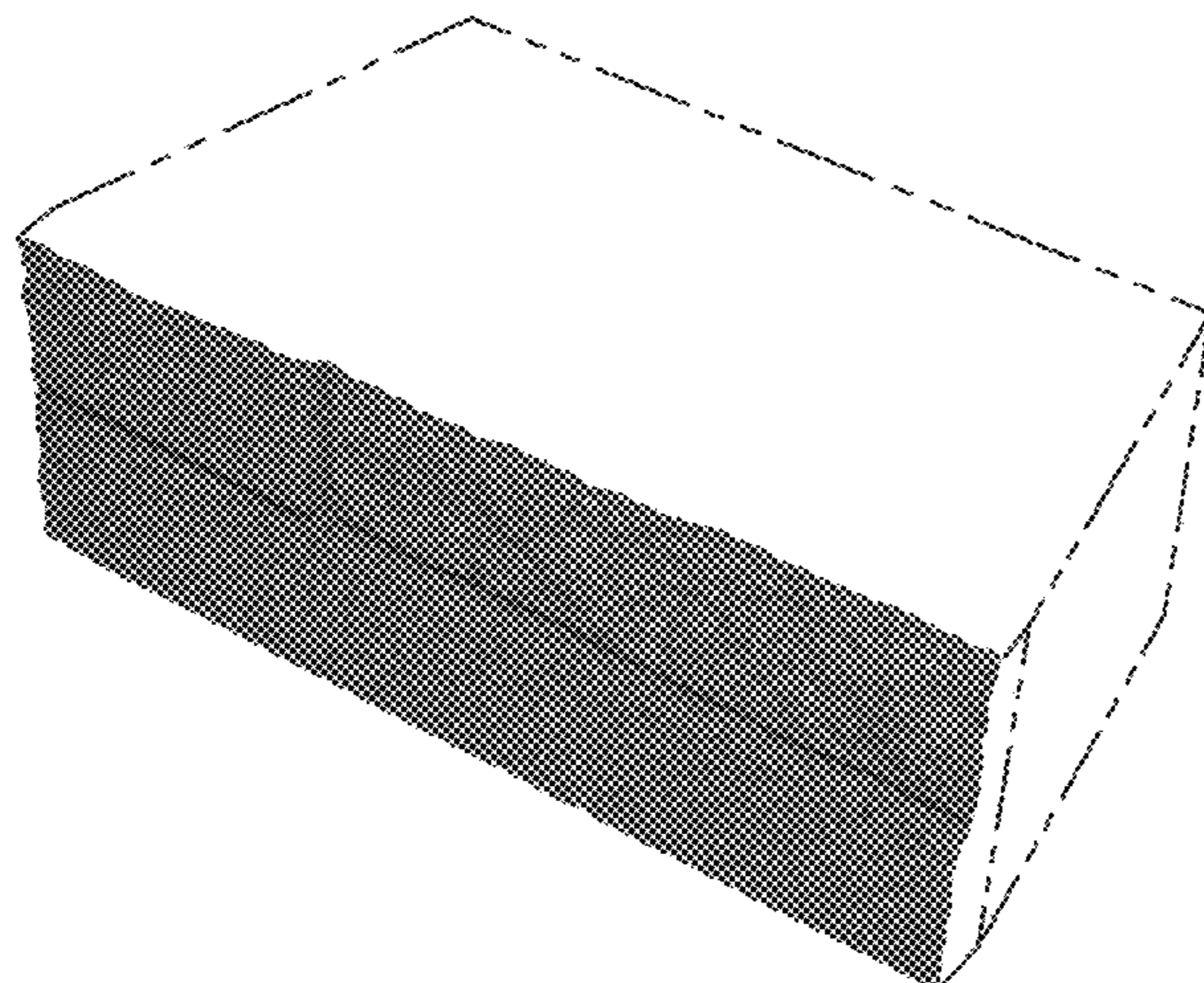
2,819,495 A 1/1958 Krausz
D466,619 S 12/2002 Britton

(Continued)

FIG. 1 is a front view of an embodiment of a molded surface of a concrete product, according to my new design; FIG. 2 is a right side view of the embodiment of FIG. 1; FIG. 3 is a left side view of the embodiment of FIG. 1; FIG. 4 is a top view of the embodiment of FIG. 1; FIG. 5 is a bottom view of the embodiment of FIG. 1; FIG. 6 is a right perspective view of the embodiment of FIG. 1; FIG. 7 is a front view of another embodiment of a molded surface of a concrete product, according to my new design; FIG. 8 is a right side view of the embodiment of FIG. 7; FIG. 9 is a left side view of the embodiment of FIG. 7; FIG. 10 is a top view of the embodiment of FIG. 7; FIG. 11 is a bottom view of the embodiment of FIG. 7; and, FIG. 12 is a right perspective view of the embodiment of FIG. 7.

The broken lines depict portions of the molded surface of a concrete product that form no part of the claimed design.

1 Claim, 12 Drawing Sheets



(58) **Field of Classification Search**
 CPC B28B 3/06; B28B 7/0041; B28B 7/0064;
 B28B 7/0073; B28B 7/0079; B28B
 7/0097; B28B 7/183; B28B 7/24; B28B
 7/42; A01G 9/28; E02D 29/0241; E04F
 13/007; E04F 13/0871; E04F 13/14; E04F
 13/22; E04F 13/24; E04B 1/5837; E04B
 1/625

See application file for complete search history.

(56) **References Cited**

U.S. PATENT DOCUMENTS

D468,449 S	1/2003	Britton	
D511,578 S	11/2005	Mugge et al.	
D529,628 S	10/2006	Mugge et al.	
D530,435 S	10/2006	Collison et al.	
D530,830 S *	10/2006	Collison	D25/113
D530,831 S	10/2006	Mugge et al.	
D538,946 S	3/2007	Mugge et al.	
D541,951 S	5/2007	Mugge et al.	
D555,810 S	11/2007	Strand	
D576,293 S *	9/2008	Mugge	D25/113
D581,548 S	11/2008	Mugge et al.	
D584,423 S	1/2009	Mugge	
D596,318 S	7/2009	Mugge et al.	
D598,136 S	8/2009	Mugge	
D604,430 S *	11/2009	Mugge	D25/113
D611,164 S	3/2010	Mugge	
D618,367 S	6/2010	Schwarz et al.	
D619,731 S	7/2010	Mugge et al.	
D619,732 S	7/2010	Mugge et al.	
D621,960 S	8/2010	Mugge et al.	
D625,840 S	10/2010	Mugge	
D631,983 S	2/2011	Mugge et al.	
D636,093 S *	4/2011	Mugge	D25/113
D636,094 S	4/2011	Mugge	
D639,455 S	6/2011	Mugge et al.	
7,959,380 B2	6/2011	McIntosh	

D643,943 S	8/2011	Mugge et al.	
D644,744 S	9/2011	Meadows	
D645,165 S	9/2011	Wolter et al.	
D646,402 S	10/2011	Mugge	
D650,491 S	12/2011	Mugge et al.	
D650,492 S	12/2011	Mugge et al.	
D662,610 S	6/2012	Mugge et al.	
D676,151 S	2/2013	Mugge et al.	
D678,552 S	3/2013	Mugge et al.	
D685,923 S	7/2013	Mugge et al.	
D687,975 S *	8/2013	Mugge	D25/113
D690,837 S	10/2013	Mugge et al.	
D696,425 S	12/2013	Mugge et al.	
D698,942 S	2/2014	Mugge et al.	
D699,866 S	2/2014	Mugge et al.	
D703,346 S	4/2014	Johnson et al.	
D739,041 S	9/2015	Karau	
D739,561 S	9/2015	Karau	
D773,693 S	12/2016	Karau	
D860,477 S *	9/2019	Bennett	D25/113
2004/0218985 A1	11/2004	Klettenberg et al.	
2009/0103987 A1	4/2009	MacDonald	

FOREIGN PATENT DOCUMENTS

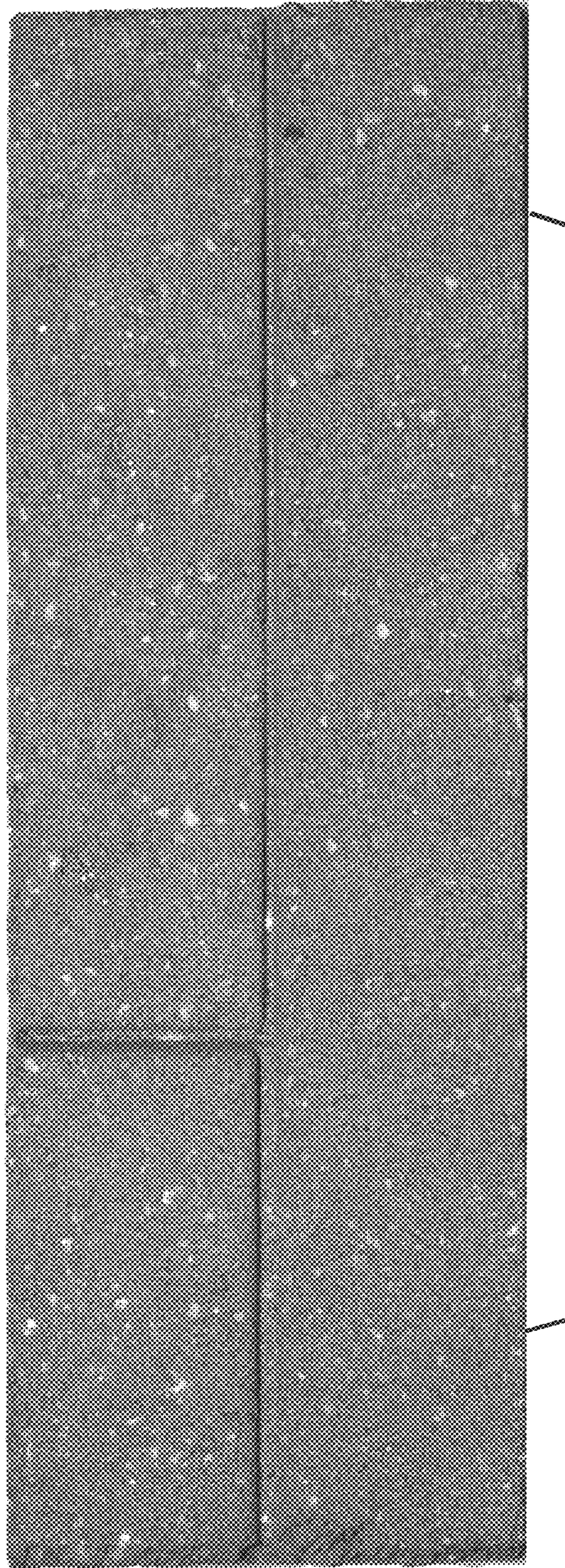
EM	000733076-0004	7/2007
EM	004349451-0005	* 12/2017
EM	004349751-0001	12/2017
EM	004349751-0002	* 12/2017
EM	004349751-0003	12/2017
EM	004349751-0004	12/2017
EM	004349751-0005	12/2017
EM	004349751-0006	12/2017

OTHER PUBLICATIONS

<https://www.anchorwall.com/walls/natural-impressions-ashlarstone-4-x-12-retaining-wall-system> May 21, 2016 (Year: 2016).

* cited by examiner

FIG. 1



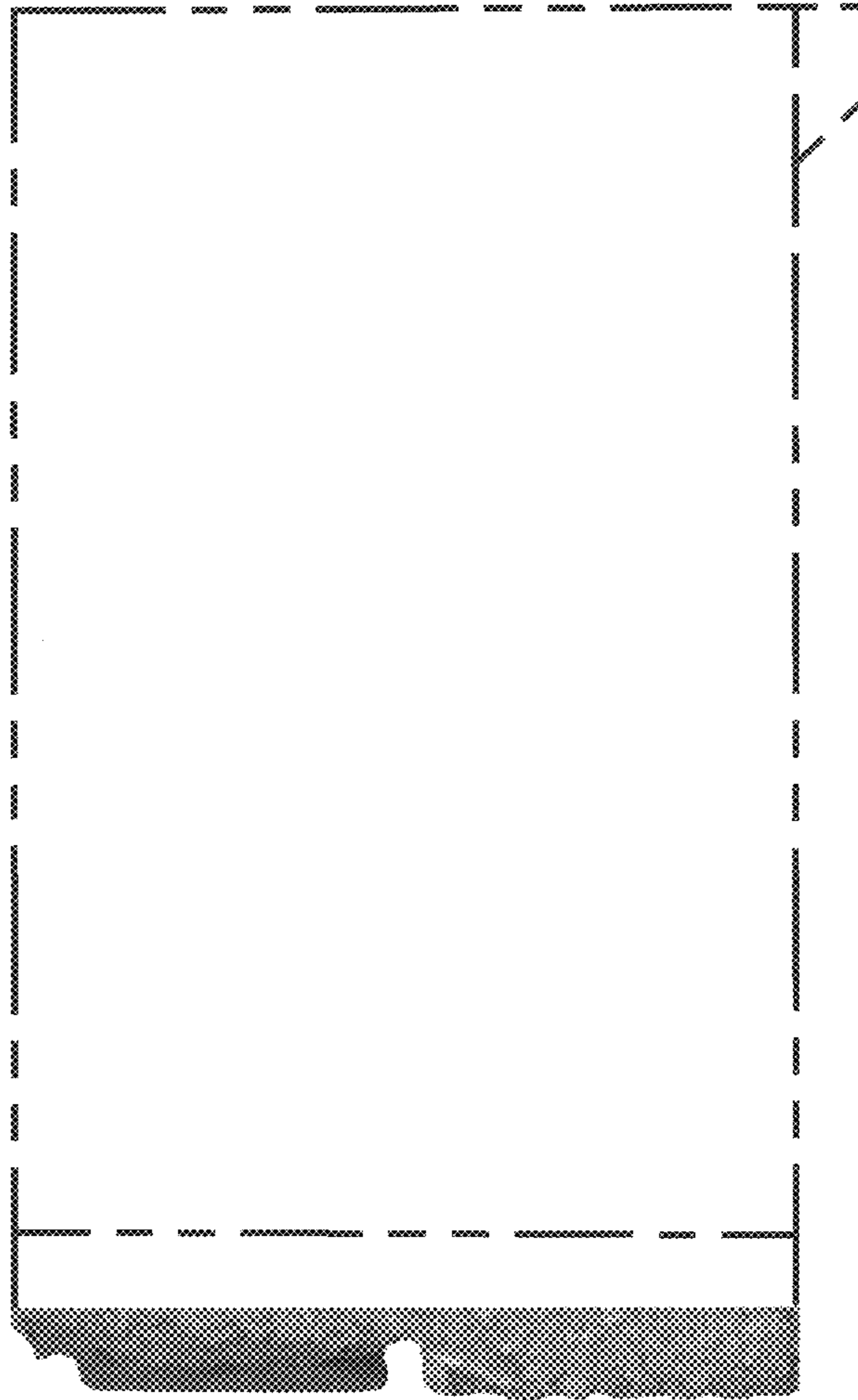


FIG. 2

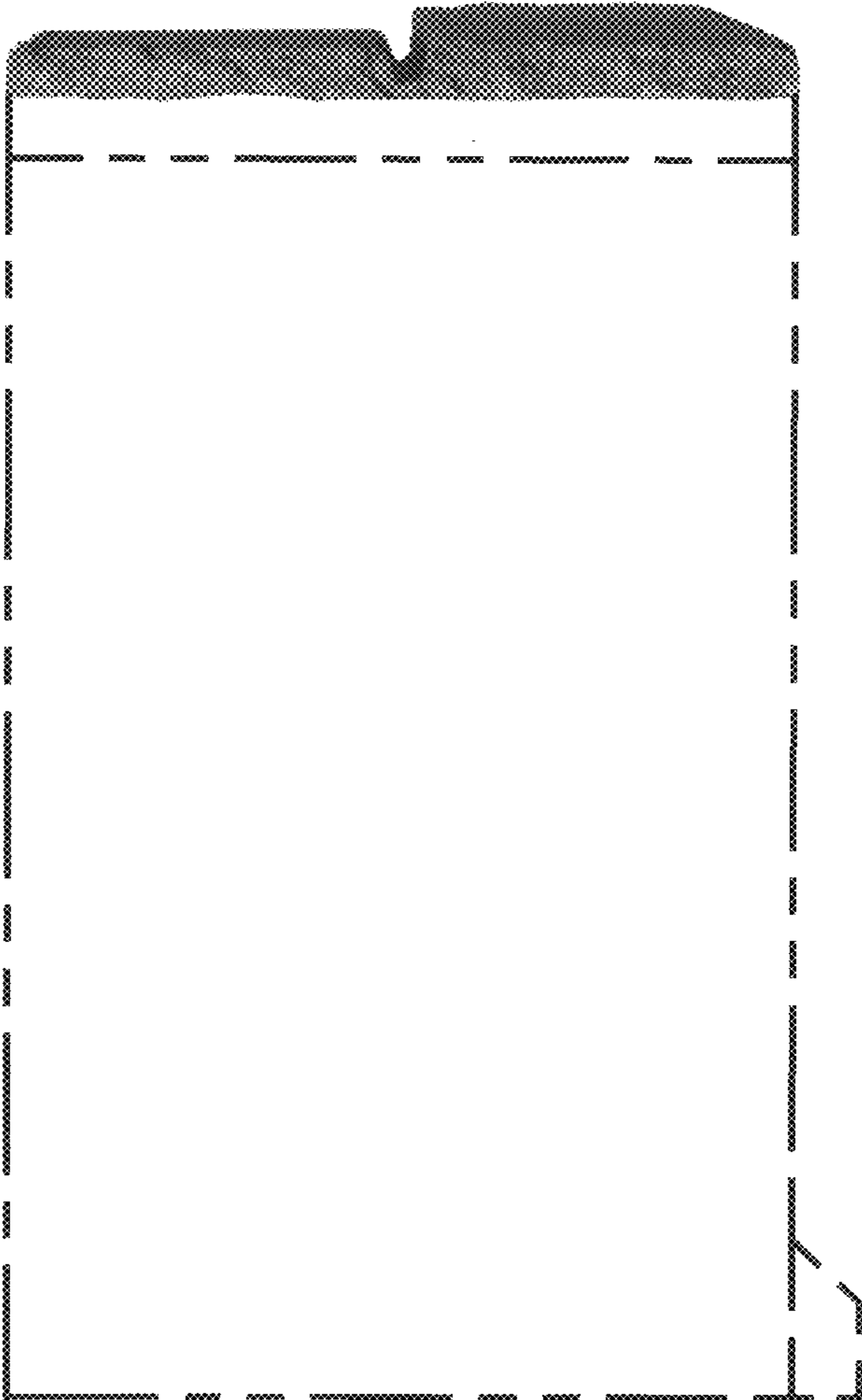


FIG. 3

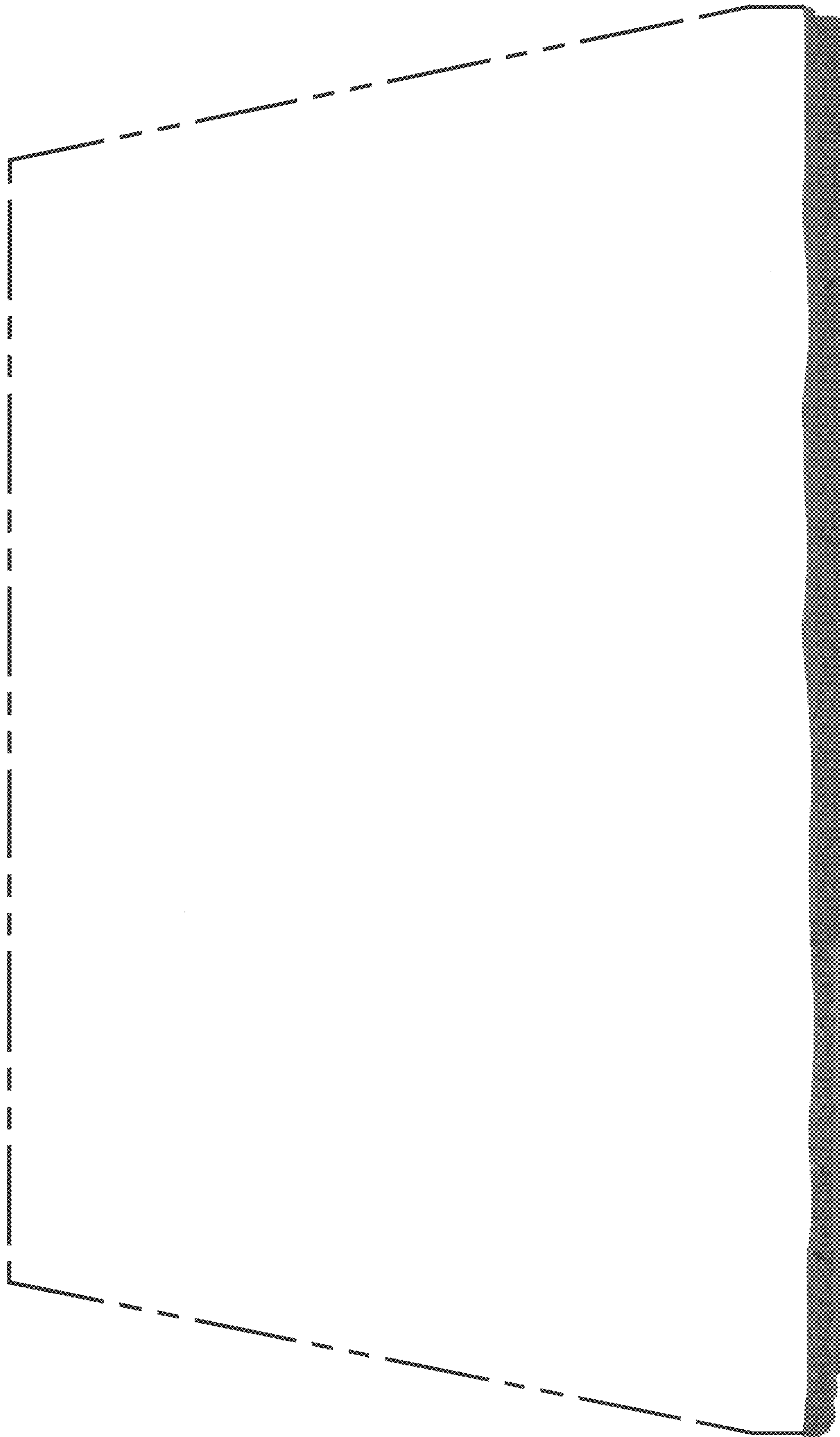
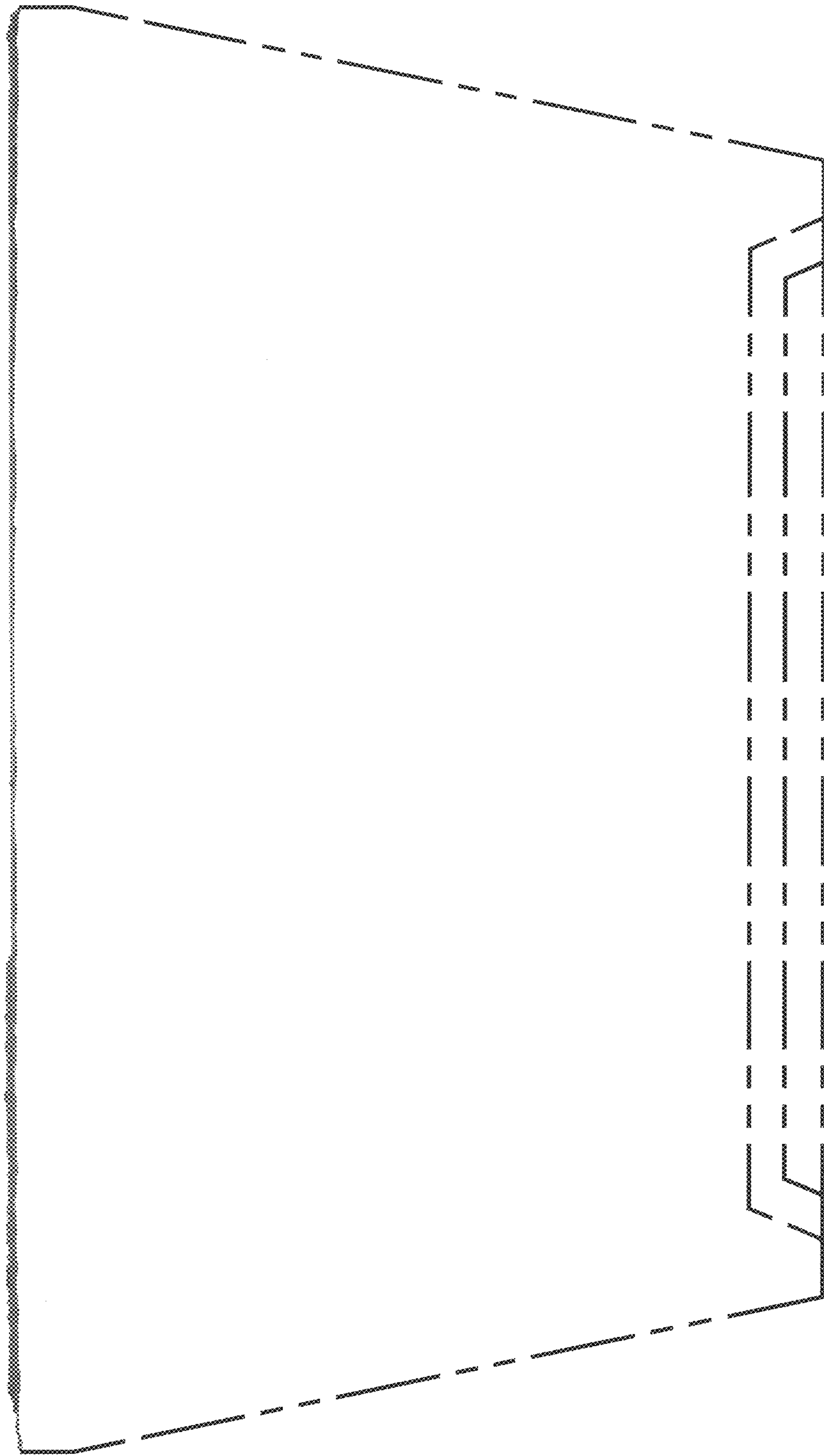


FIG. 4

FIG. 5



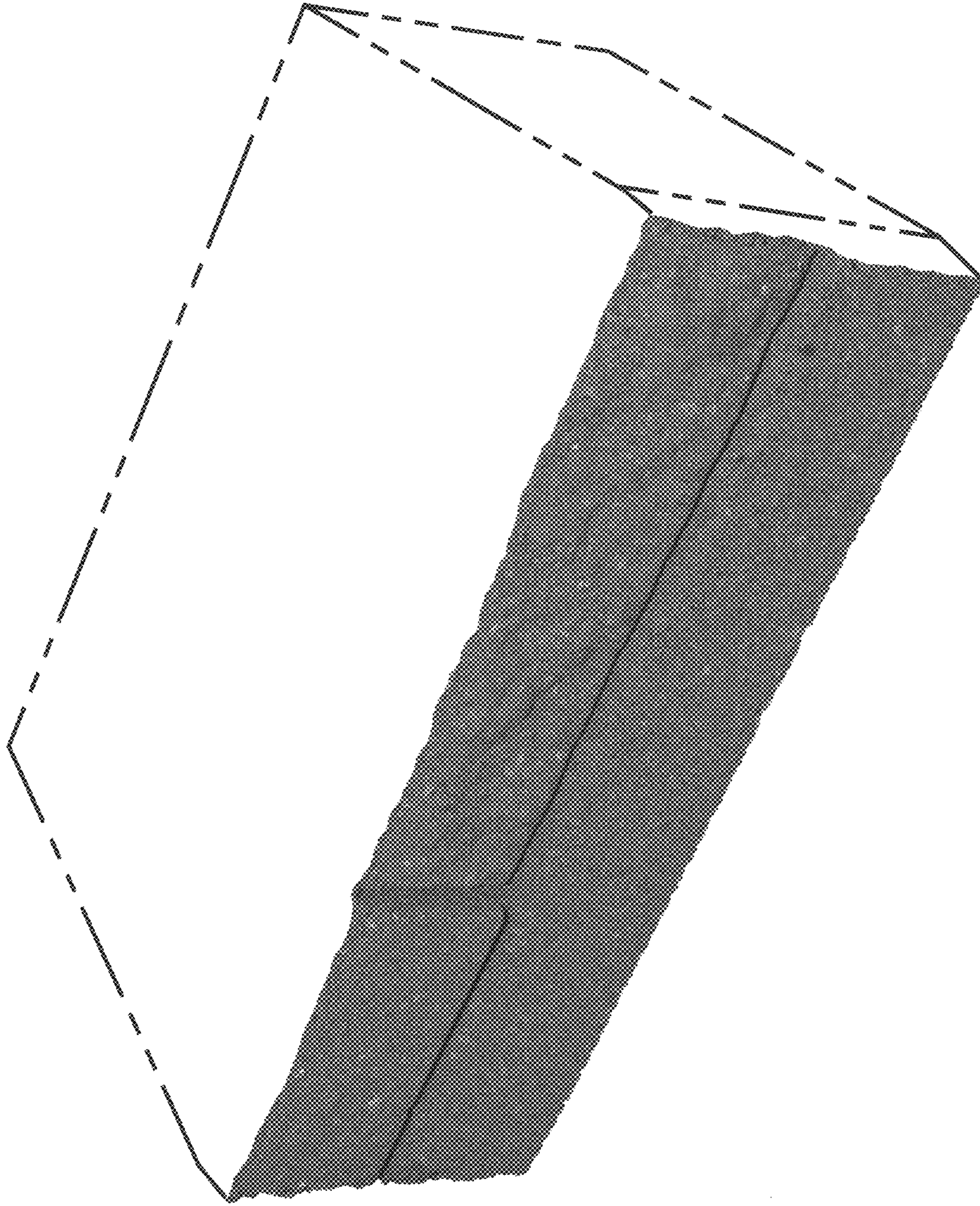
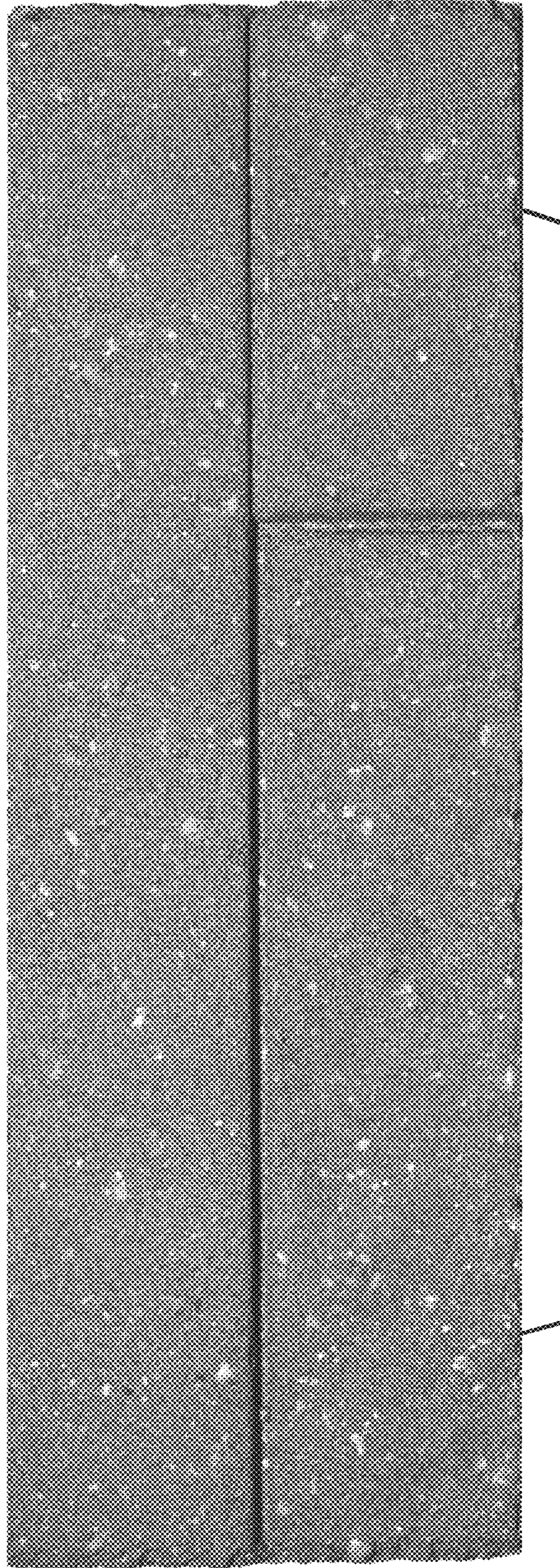


FIG. 6

FIG. 7



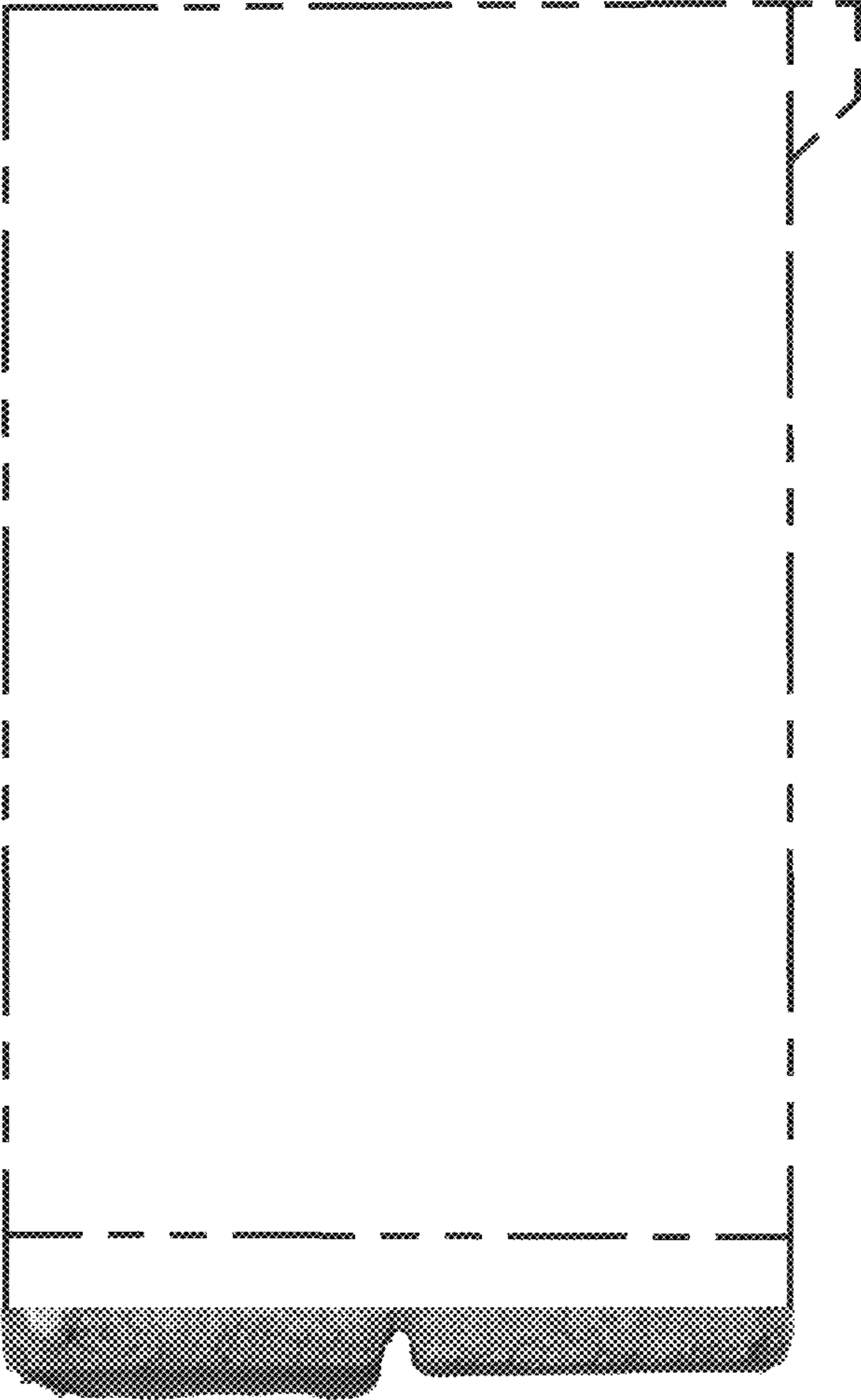


FIG. 8

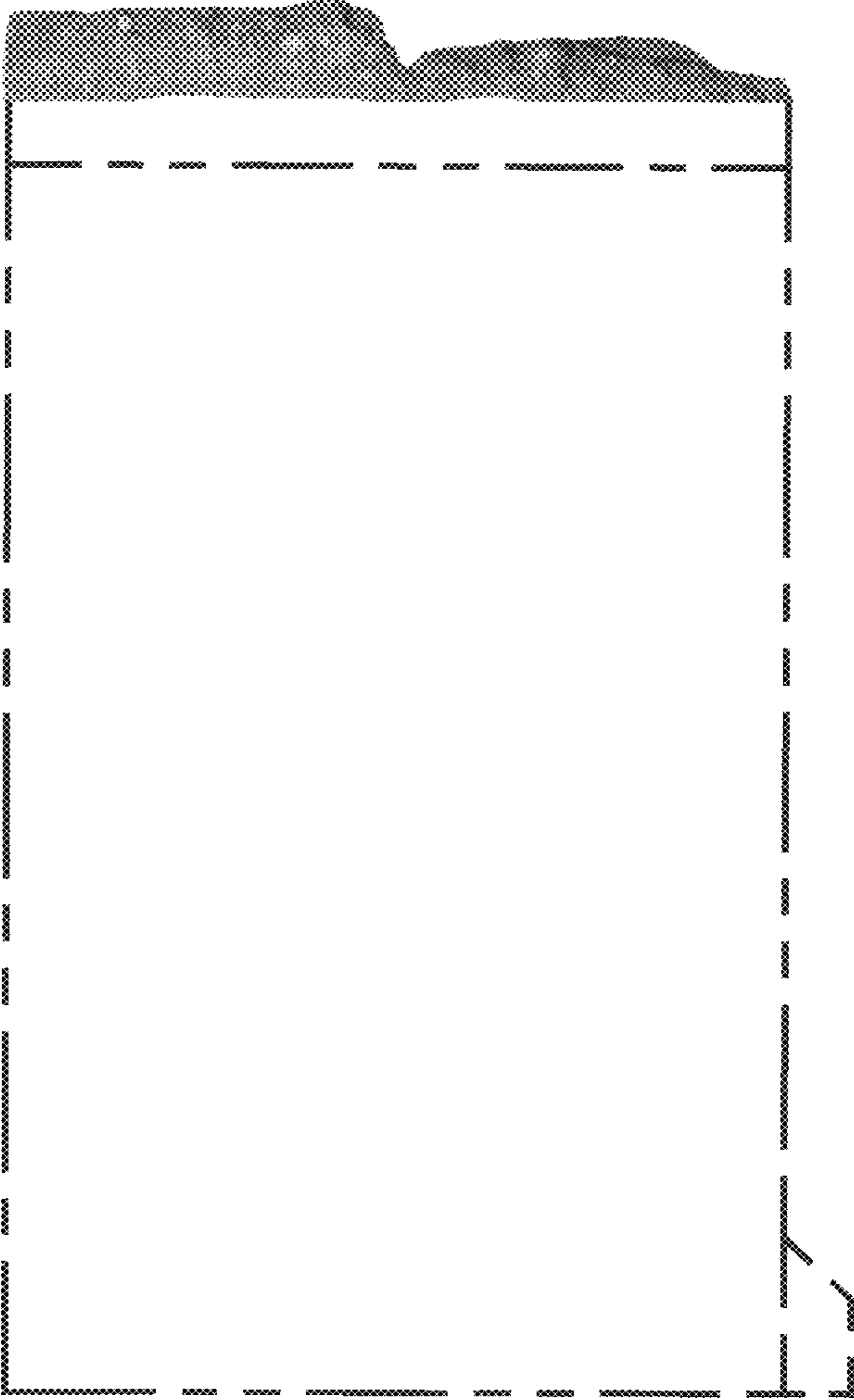


FIG. 9

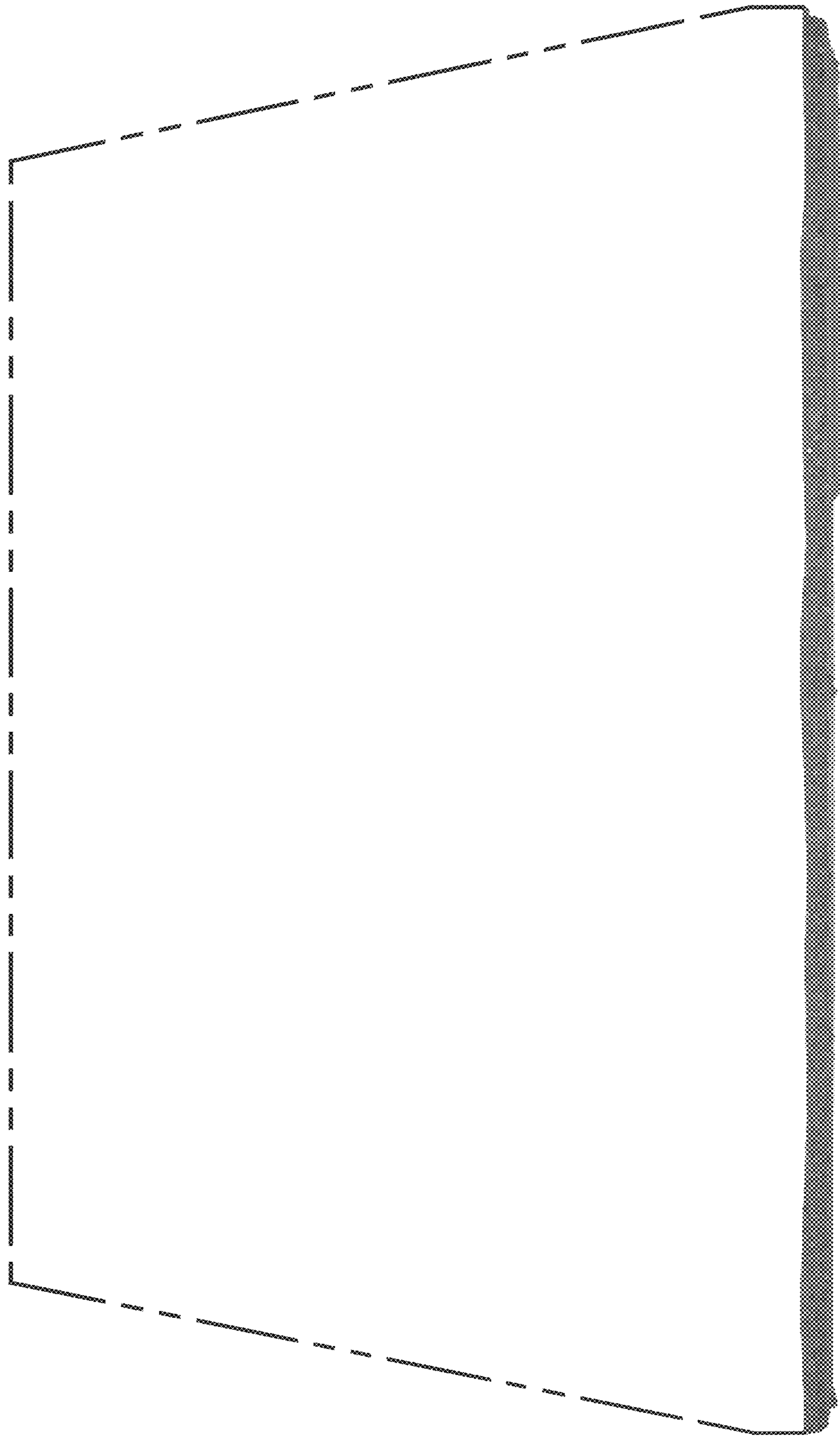
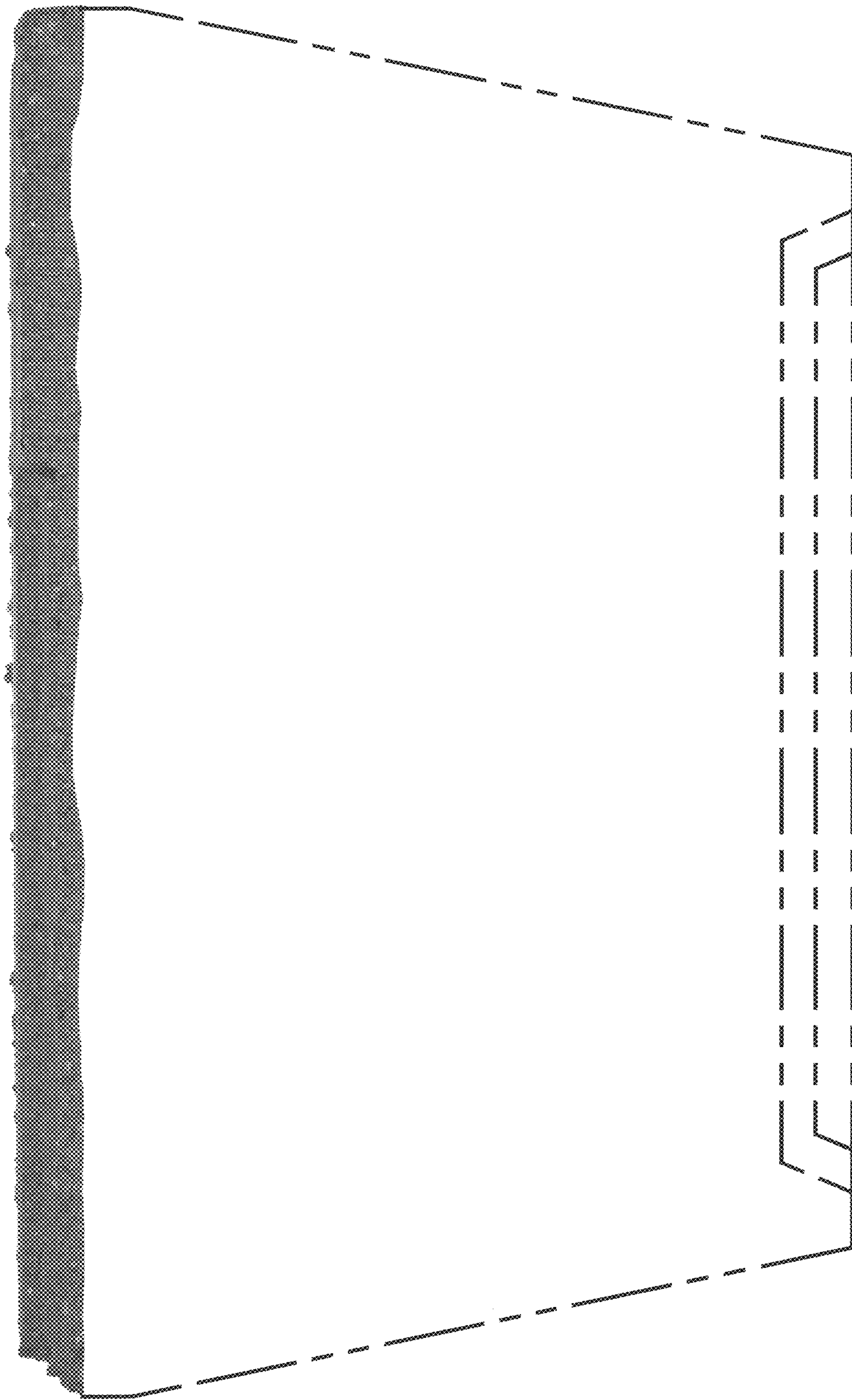


FIG. 10

FIG. 11



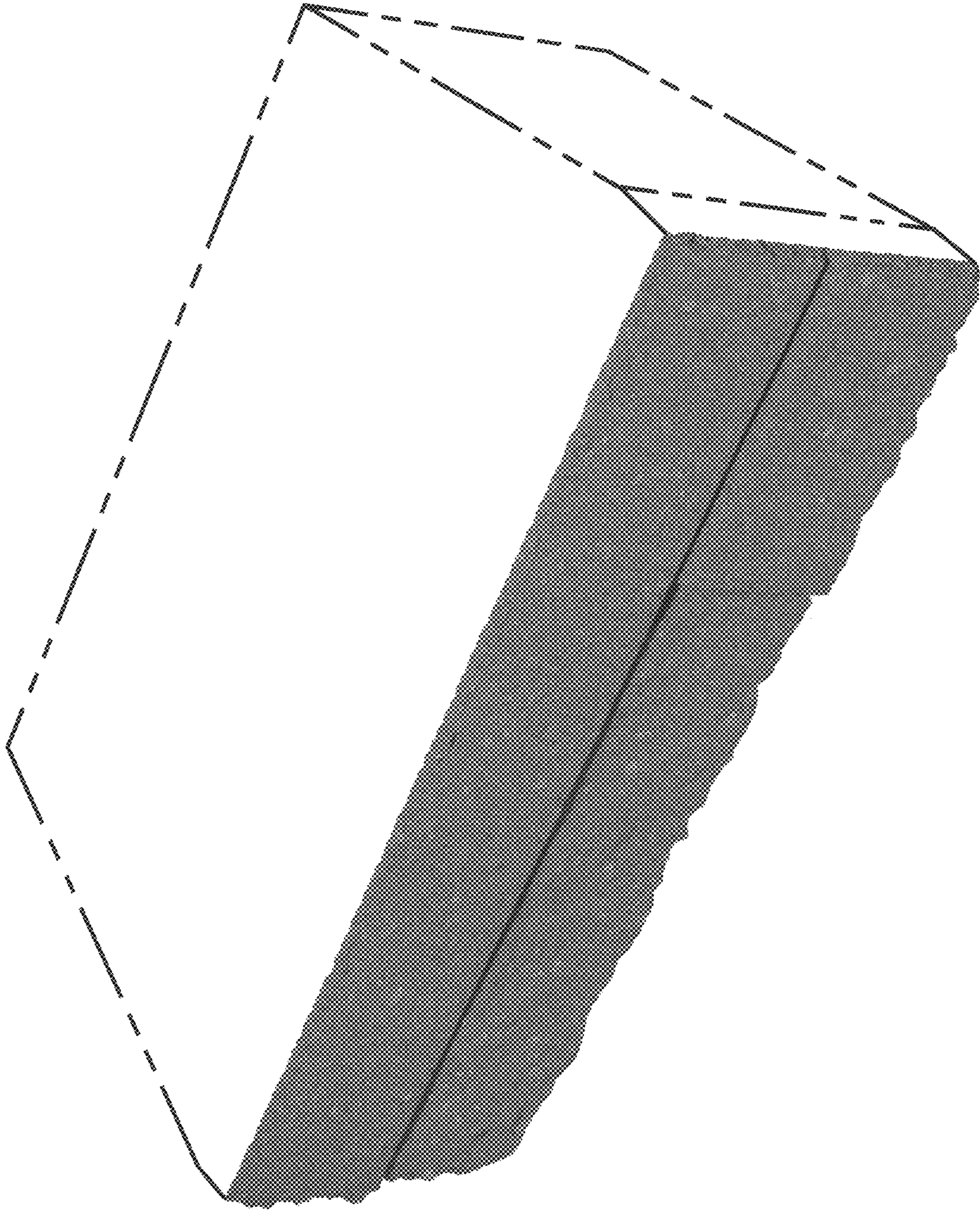


FIG. 12