



US00D898227S

(12) **United States Design Patent**  
**Pozzi et al.**

(10) **Patent No.:** **US D898,227 S**

(45) **Date of Patent:** **\*\* Oct. 6, 2020**

(54) **AWNING**

(71) Applicant: **FIAMMA S.p.A.**, Cardano al Campo (IT)

(72) Inventors: **John David Pozzi**, Zürich (CH);  
**Charles Pozzi**, Milan (IT)

(73) Assignee: **FIAMMA S.P.A.**, Cardano al Campo (IT)

(\*\*) Term: **15 Years**

(21) Appl. No.: **29/679,466**

(22) Filed: **Feb. 6, 2019**

(30) **Foreign Application Priority Data**

Aug. 7, 2018 (EM) ..... 005566023-0001

(51) **LOC (12) Cl.** ..... **25-03**

(52) **U.S. Cl.**  
USPC ..... **D25/57**

(58) **Field of Classification Search**  
USPC ..... D6/579, 580; D12/401, 403; D25/56,  
D25/57, 60, 136  
CPC ..... E04F 10/0614; E04F 10/0618; E04F  
10/0625; E04F 10/0644; E04F 10/0648;  
E04F 10/0651; E04F 10/0659; E04F  
10/0662; E04F 10/067; E04F 10/0685;  
E04F 10/0688

See application file for complete search history.

(56) **References Cited**

**U.S. PATENT DOCUMENTS**

D179,283 S \* 11/1956 Dietz ..... D25/57  
6,363,664 B1 \* 4/2002 Brutsaert ..... E04F 10/0618  
135/117  
D604,427 S \* 11/2009 Kramer ..... D25/57  
D610,706 S \* 2/2010 Kramer ..... D25/57  
D610,708 S \* 2/2010 Kramer ..... D25/57

D668,787 S \* 10/2012 Kramer ..... D25/57  
D669,192 S \* 10/2012 Kramer ..... D25/57  
D669,193 S \* 10/2012 Kramer ..... D25/57  
D698,941 S \* 2/2014 Cropley ..... D25/56  
D814,047 S \* 3/2018 Pozzi ..... D25/57

**OTHER PUBLICATIONS**

Fiamma katalog produktów 2018 issuu [https://issuu.com/gomarket\\_pl/docs/flamma\\_2018](https://issuu.com/gomarket_pl/docs/flamma_2018) Feb. 25, 2018 (Year: 2018).\*

\* cited by examiner

*Primary Examiner* — Leanne Was-Englehart

(74) *Attorney, Agent, or Firm* — The Sladkus Law Group

(57) **CLAIM**

The ornamental design for an awning, as shown and described.

**DESCRIPTION**

FIG. 1 is a broken front perspective view of an awning according to the present invention.

FIG. 2 is a broken top plan view of the awning illustrated in FIG. 1.

FIG. 3 is a broken bottom plan view of the awning illustrated in FIG. 1.

FIG. 4 is a side elevation view of the awning illustrated in FIG. 1.

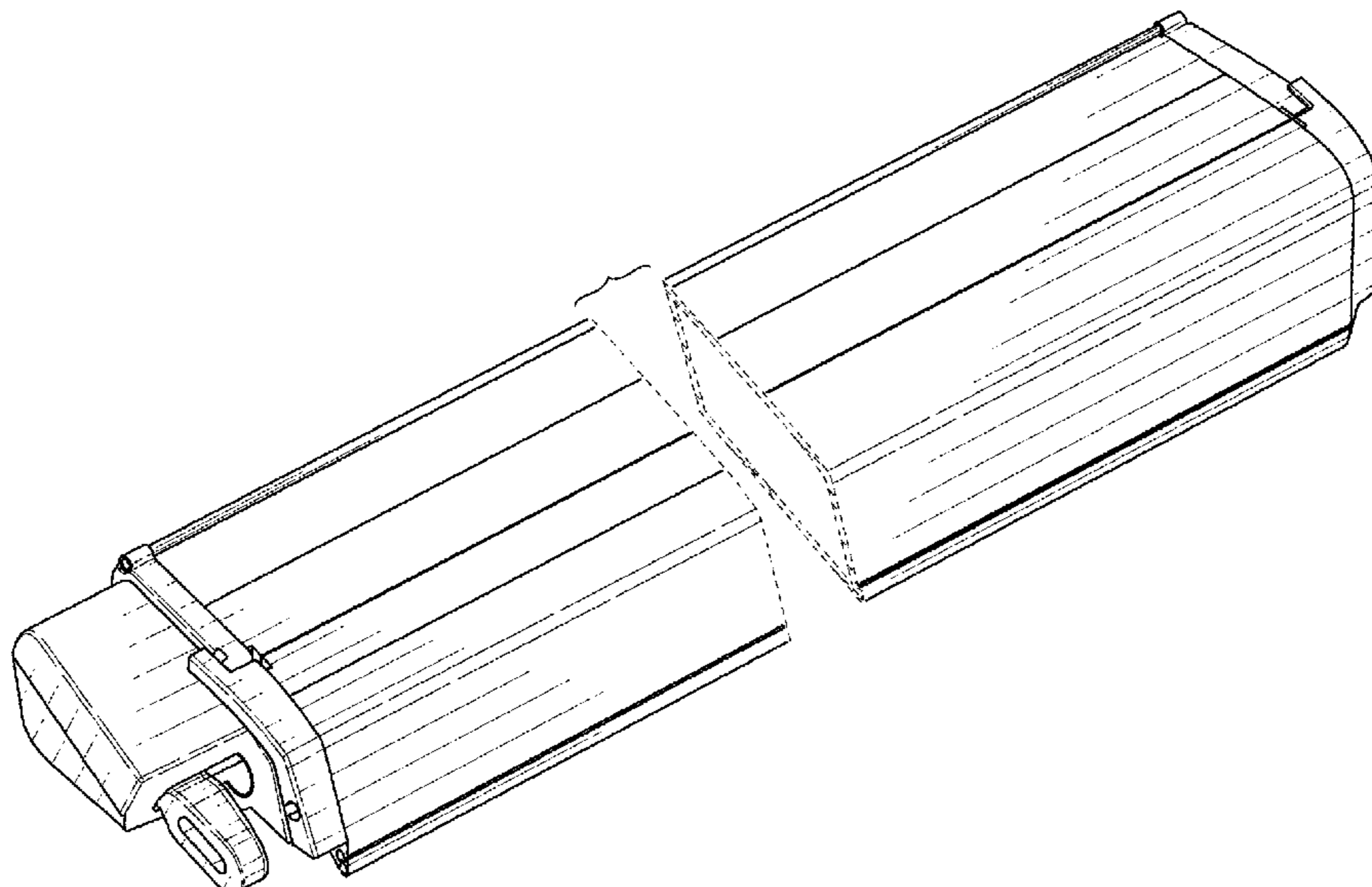
FIG. 5 is another side elevation view of the awning illustrated in FIG. 1.

FIG. 6 is a broken front elevation view of the awning illustrated in FIG. 1; and,

FIG. 7 is a broken rear elevation view of the awning illustrated in FIG. 1.

The broken lines depict portions of the awning that form no part of the claimed design. The drawings contain a symbolic break. The portion between the break lines form no part of the claimed design.

**1 Claim, 3 Drawing Sheets**



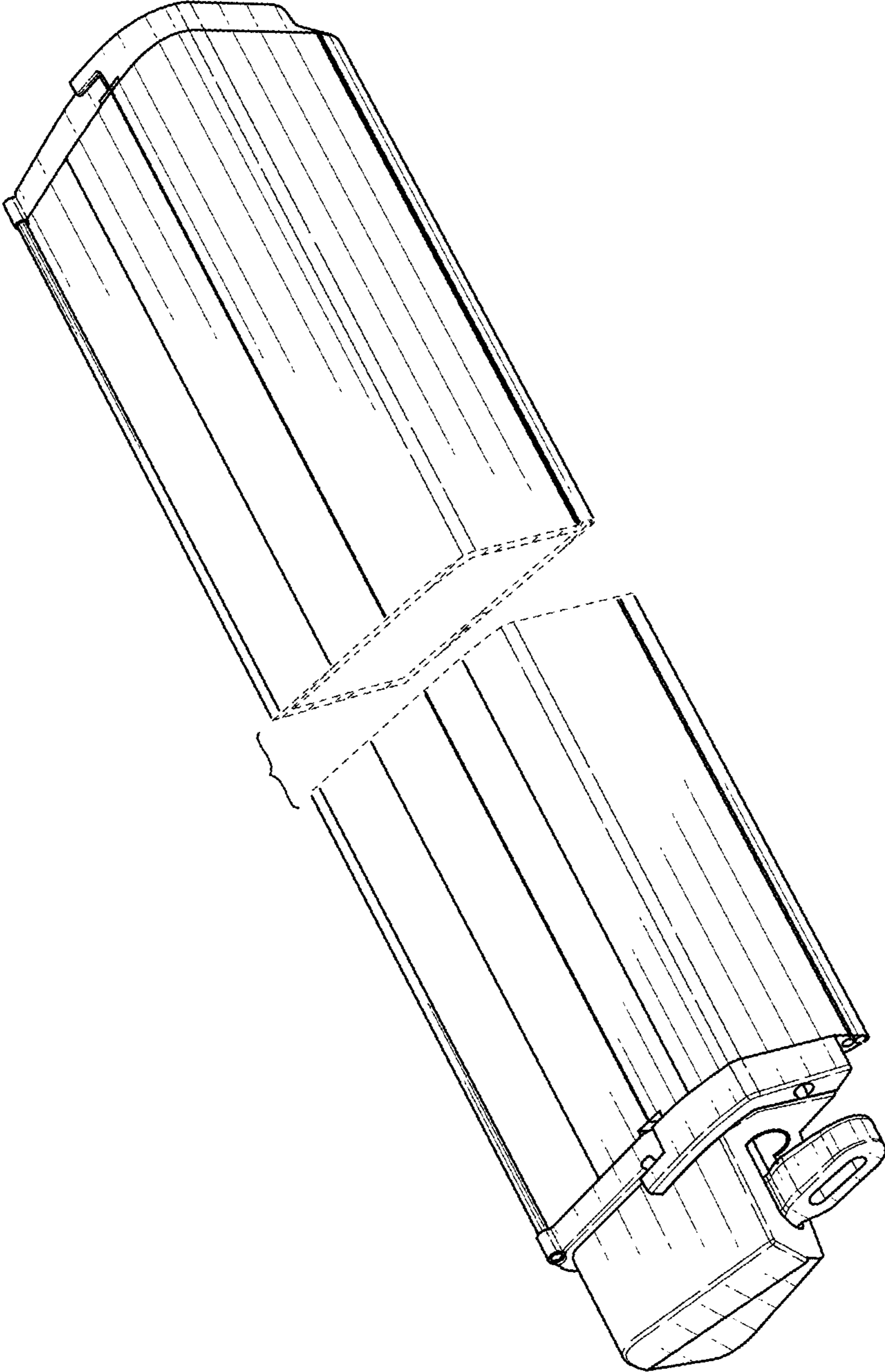


FIG. 1

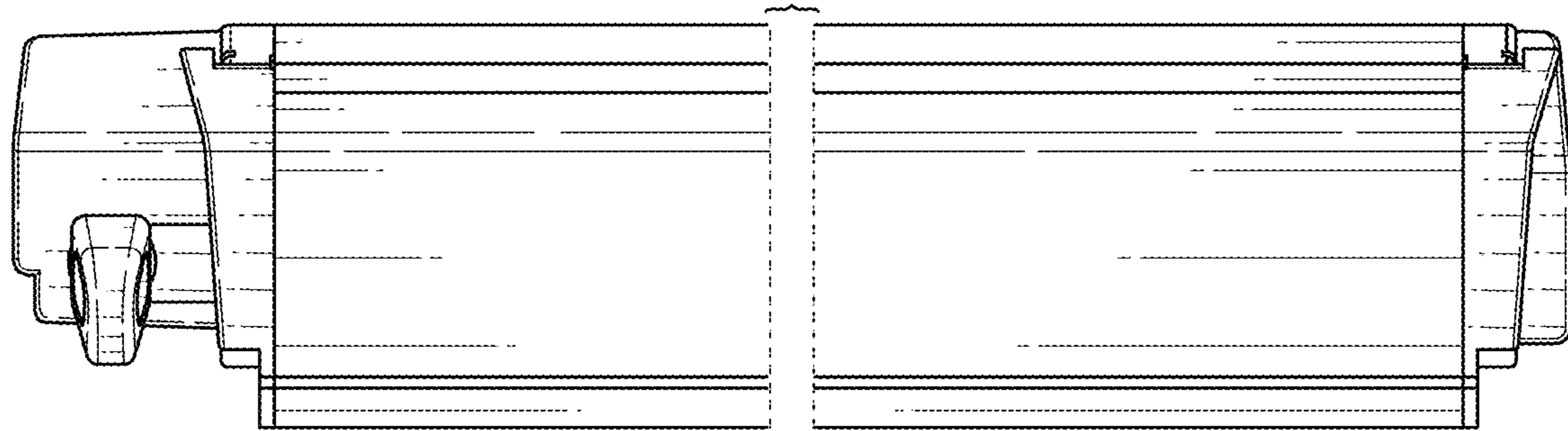


FIG. 2

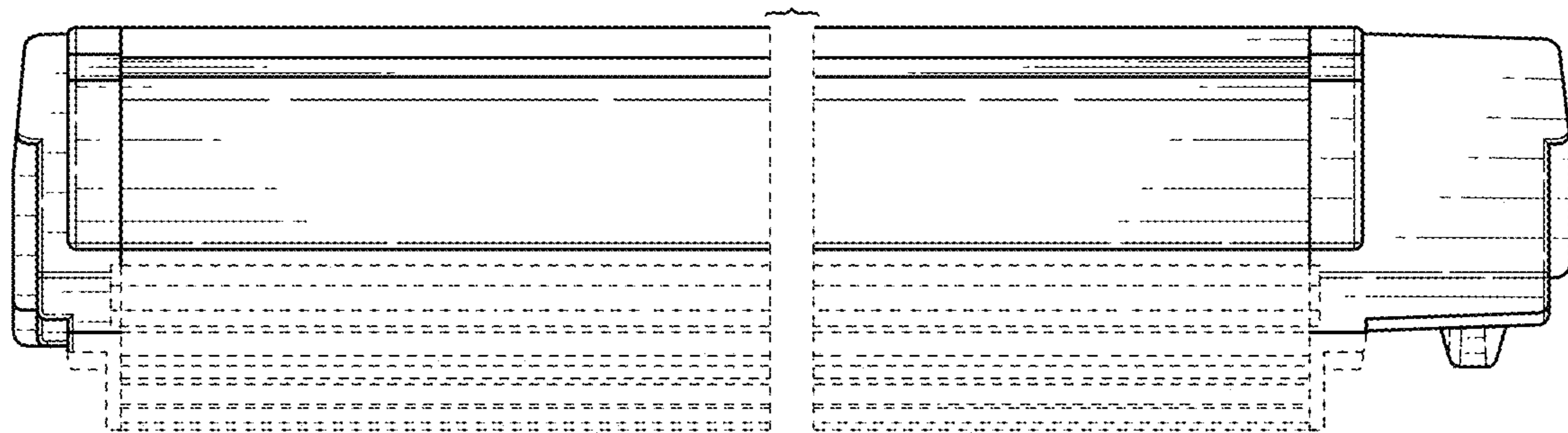


FIG. 3

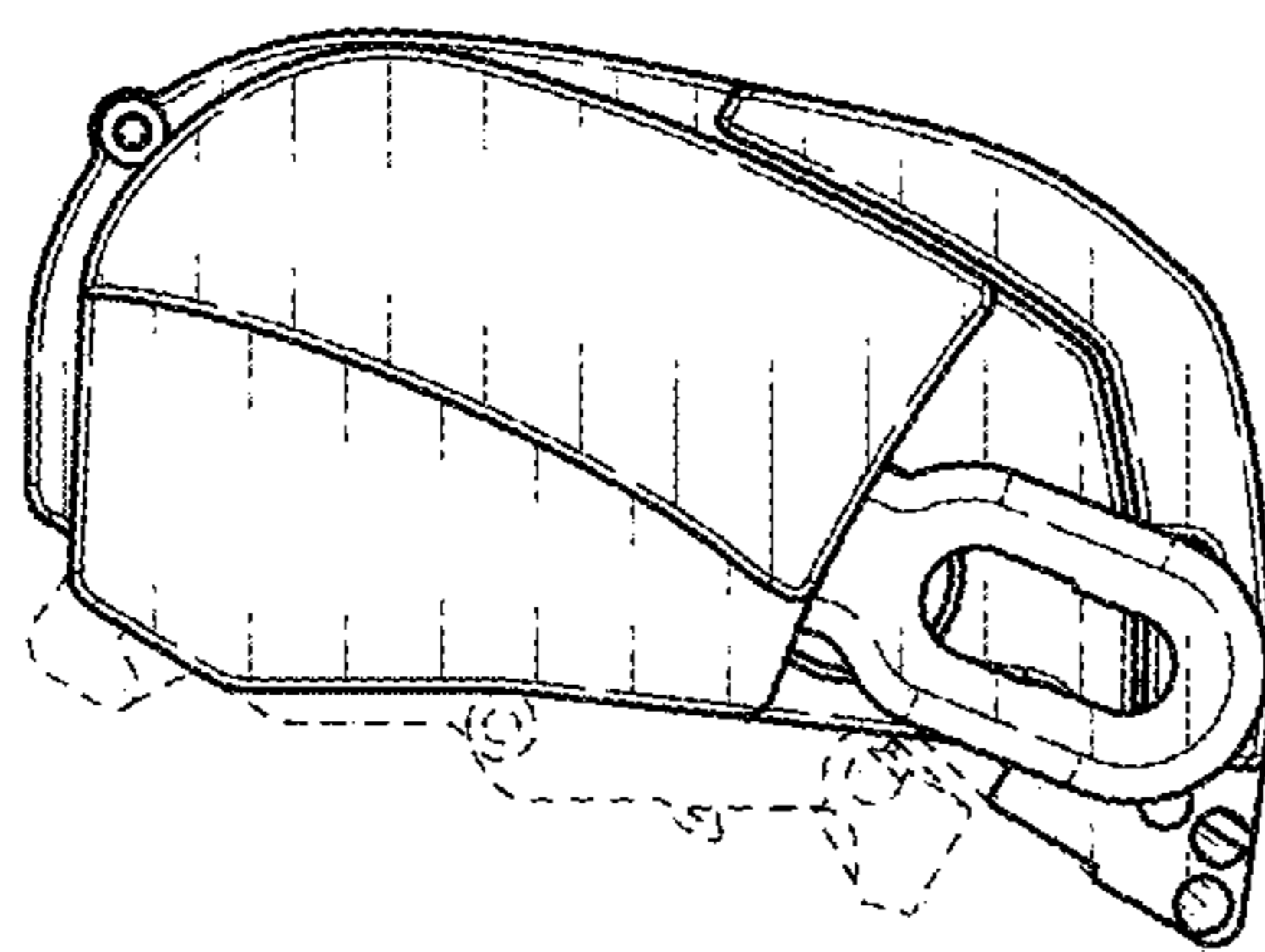


FIG. 4

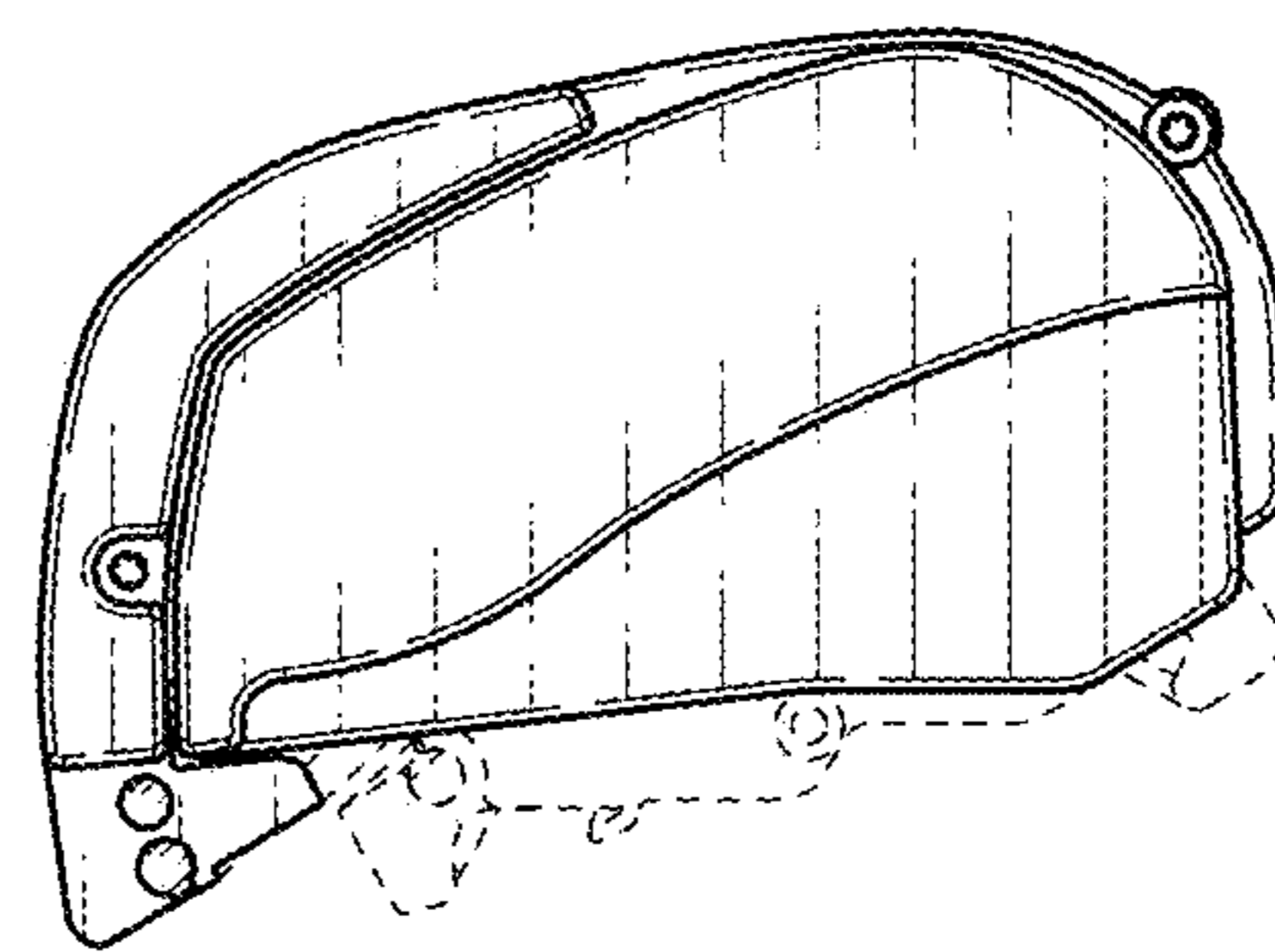


FIG. 5

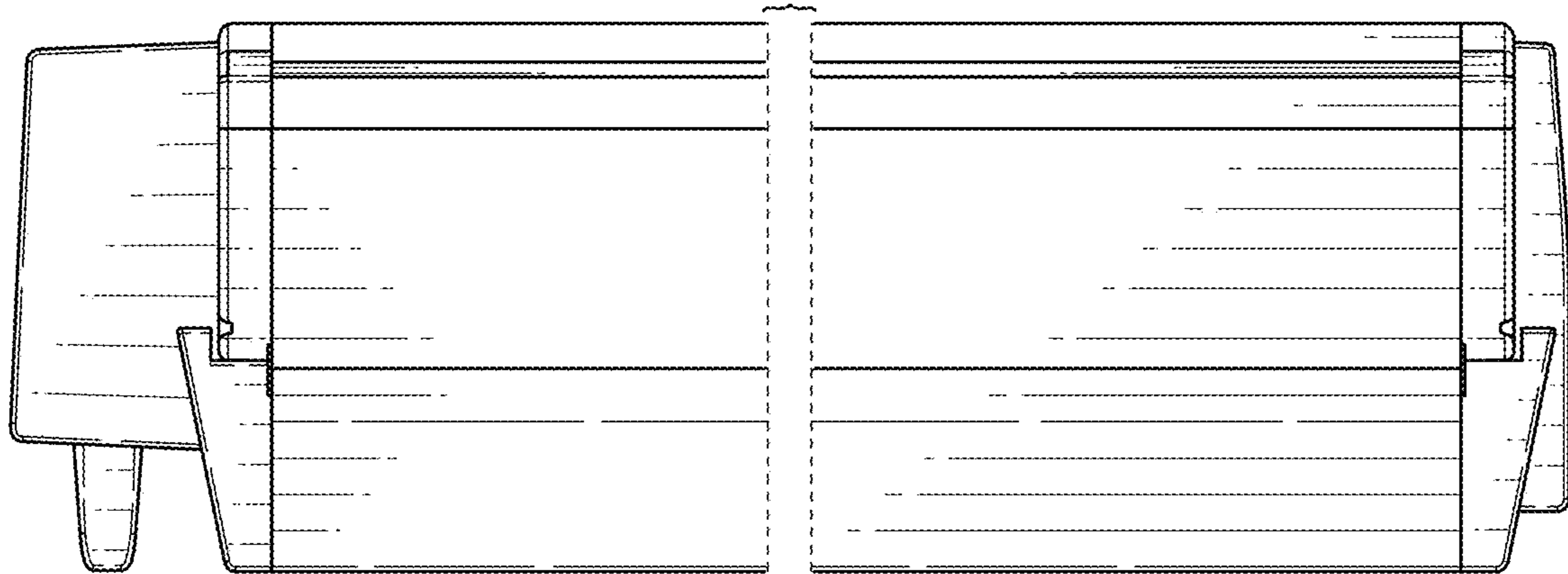


FIG. 6

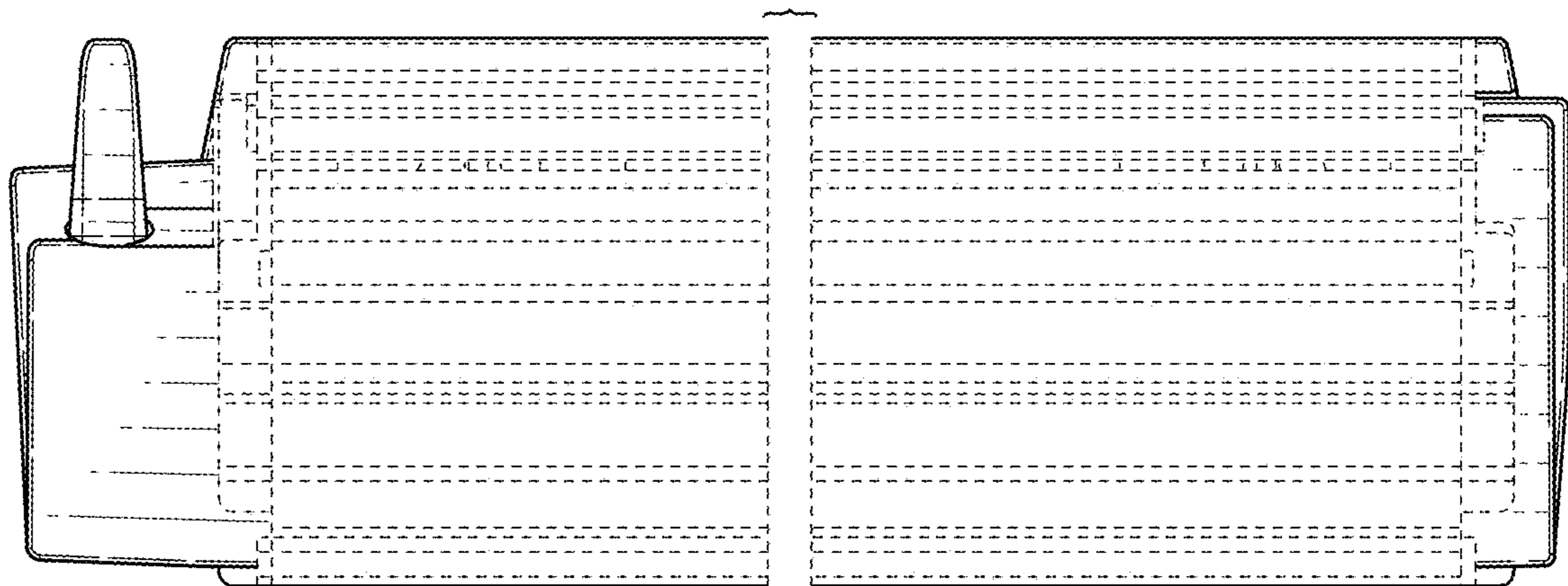


FIG. 7