



US00D898224S

(12) **United States Design Patent** (10) **Patent No.:** **US D898,224 S**  
**Chou et al.** (45) **Date of Patent:** **\*\* Oct. 6, 2020**

(54) **ASSAY PLATE WITH SAMPLE LANDING MARK**

(71) Applicant: **Essenlix Corporation**, Monmouth Junction, NJ (US)

(72) Inventors: **Stephen Y. Chou**, Princeton, NJ (US); **Wei Ding**, East Windsor, NJ (US); **Ji Qi**, Hillsborough, NJ (US); **Hua Tan**, Princeton Junction, NJ (US)

(\*\*) Term: **15 Years**

(21) Appl. No.: **29/670,379**

(22) Filed: **Nov. 15, 2018**

(51) **LOC (12) Cl.** ..... **24-02**

(52) **U.S. Cl.**  
USPC ..... **D24/230; D24/225**

(58) **Field of Classification Search**  
USPC ..... D24/216, 223–227, 229–232; D9/537, D9/545, 549; D3/203.1, 203.2  
CPC ..... B01L 3/5023  
See application file for complete search history.

(56) **References Cited**

**U.S. PATENT DOCUMENTS**

D305,960 S *	2/1990	Wolff	.....	D24/232
D325,518 S *	4/1992	Matkovich	.....	D24/107
5,321,975 A	6/1994	Wardlaw et al.		
D383,215 S *	9/1997	Levy	.....	D19/26
D389,587 S *	1/1998	Orell Porrazzo	.....	D24/225
5,948,686 A	9/1999	Wardlaw		
6,017,767 A	1/2000	Chandler		
6,022,734 A	2/2000	Wardlaw		
D438,311 S *	2/2001	Yamanishi	.....	D24/216
6,235,536 B1	5/2001	Wardlaw		
6,350,613 B1	2/2002	Wardlaw et al.		
6,723,290 B1	4/2004	Wardlaw		

(Continued)

**FOREIGN PATENT DOCUMENTS**

GB	3010741	*	2/2003
WO	2017027643		2/2018

(Continued)

**OTHER PUBLICATIONS**

Essenlix Developed the World's Smallest, Simplest, and Lowest-Cost Blood Count Device. Online, published date unknown. Retrieved on Jan. 17, 2020 from URL: <http://www.essenlix.com/video.php>.\*

*Primary Examiner* — Susan Bennett Hattan

*Assistant Examiner* — Omeed Agilee

(57) **CLAIM**

The ornamental design for an assay plate with sample landing mark, as shown and described.

**DESCRIPTION**

FIG. 1 shows a bottom perspective view of an assay plate with sample landing mark according to one embodiment of the present invention.

FIG. 2 shows a top view thereof.

FIG. 3 shows a bottom view thereof.

FIG. 4 shows a front view thereof.

FIG. 5 is a left side view thereof.

FIG. 6 shows a right side view thereof.

FIG. 7 is a rear view thereof.

FIG. 8 shows a bottom perspective view of the assay plate with sample landing mark according to another embodiment of the present invention.

FIG. 9 shows a top view thereof.

FIG. 10 shows a bottom view thereof.

FIG. 11 shows a front view thereof.

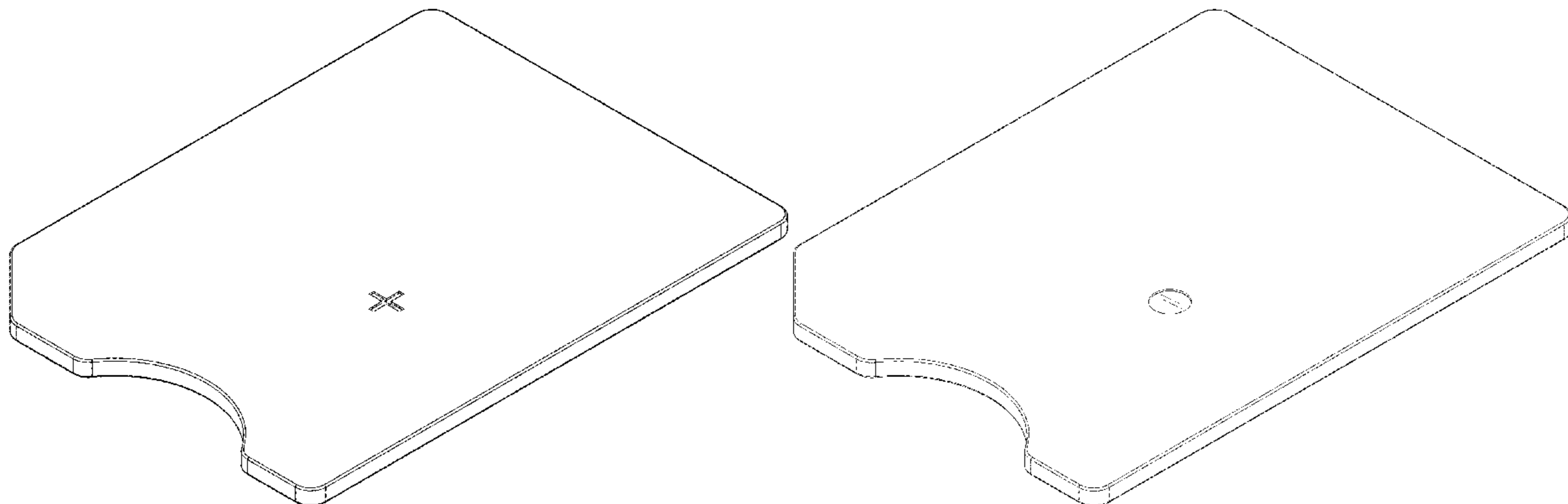
FIG. 12 is a left side view thereof.

FIG. 13 shows a right side view thereof; and,

FIG. 14 is a rear view thereof.

The broken lines in the drawings depict portions of the assay plate with sample landing mark that form no part of the claimed design.

**1 Claim, 14 Drawing Sheets**



(56)

References Cited

U.S. PATENT DOCUMENTS

6,866,823 B2 3/2005 Wardlaw  
 6,869,570 B2 3/2005 Wardlaw  
 6,929,953 B1 8/2005 Wardlaw  
 D528,215 S \* 9/2006 Malmsater ..... D24/216  
 D596,753 S \* 7/2009 LaStella ..... D24/216  
 D598,121 S \* 8/2009 LaStella ..... D24/216  
 7,731,901 B2 6/2010 Wardlaw  
 7,850,916 B2 12/2010 Wardlaw  
 7,903,241 B2 3/2011 Wardlaw et al.  
 7,929,121 B2 4/2011 Wardlaw et al.  
 7,929,122 B2 4/2011 Wardlaw et al.  
 7,995,194 B2 8/2011 Wardlaw et al.  
 8,045,165 B2 10/2011 Wardlaw et al.  
 8,077,296 B2 12/2011 Wardlaw et al.  
 8,158,434 B2 4/2012 Wardlaw  
 8,221,985 B2 7/2012 Wardlaw et al.  
 8,241,572 B2 8/2012 Wardlaw  
 8,310,658 B2 11/2012 Wardlaw et al.  
 8,310,659 B2 11/2012 Wardlaw et al.  
 8,319,954 B2 11/2012 Wardlaw et al.  
 8,326,008 B2 12/2012 Lalpuria et al.  
 8,367,012 B2 2/2013 Wardlaw  
 8,467,063 B2 6/2013 Wardlaw et al.  
 D691,057 S \* 10/2013 Akers, Jr. .... D10/81  
 8,569,076 B2 10/2013 Wardlaw et al.  
 8,638,427 B2 1/2014 Wardlaw et al.  
 D699,369 S \* 2/2014 Fonseca ..... D24/224  
 8,842,264 B2 9/2014 Wardlaw et al.  
 8,885,154 B2 11/2014 Wardlaw et al.  
 8,974,732 B2 3/2015 Lalpuria et al.  
 9,084,995 B2 7/2015 Wardlaw

9,199,233 B2 12/2015 Wardlaw  
 9,274,094 B2 3/2016 Wardlaw et al.  
 9,322,835 B2 4/2016 Wardlaw  
 D800,336 S \* 10/2017 Chang ..... D24/224  
 D803,416 S \* 11/2017 Leaver ..... D24/224  
 D806,890 S \* 1/2018 Williams ..... D24/216  
 D834,200 S \* 11/2018 Bates ..... D24/186  
 2006/0246598 A1 11/2006 Dai et al.  
 2013/0344616 A1\* 12/2013 Triva ..... 436/174  
 2018/0156775 A1 6/2018 Chou et al.  
 2018/0157058 A1 6/2018 Chou et al.  
 2018/0202903 A1 7/2018 Chou et al.  
 2018/0246089 A1 8/2018 Chou et al.

FOREIGN PATENT DOCUMENTS

WO 2017048871 3/2018  
 WO 2018107105 6/2018  
 WO 2018119318 6/2018  
 WO 2018148342 8/2018  
 WO 2018148469 8/2018  
 WO 2018148470 8/2018  
 WO 2018148471 8/2018  
 WO 2018148606 8/2018  
 WO 2018148607 8/2018  
 WO 2018148609 8/2018  
 WO 2018148729 8/2018  
 WO 2018148764 8/2018  
 WO 2018152005 8/2018  
 WO 2018152351 8/2018  
 WO 2018152421 8/2018  
 WO 2018152422 8/2018  
 WO 2018195528 10/2018

\* cited by examiner

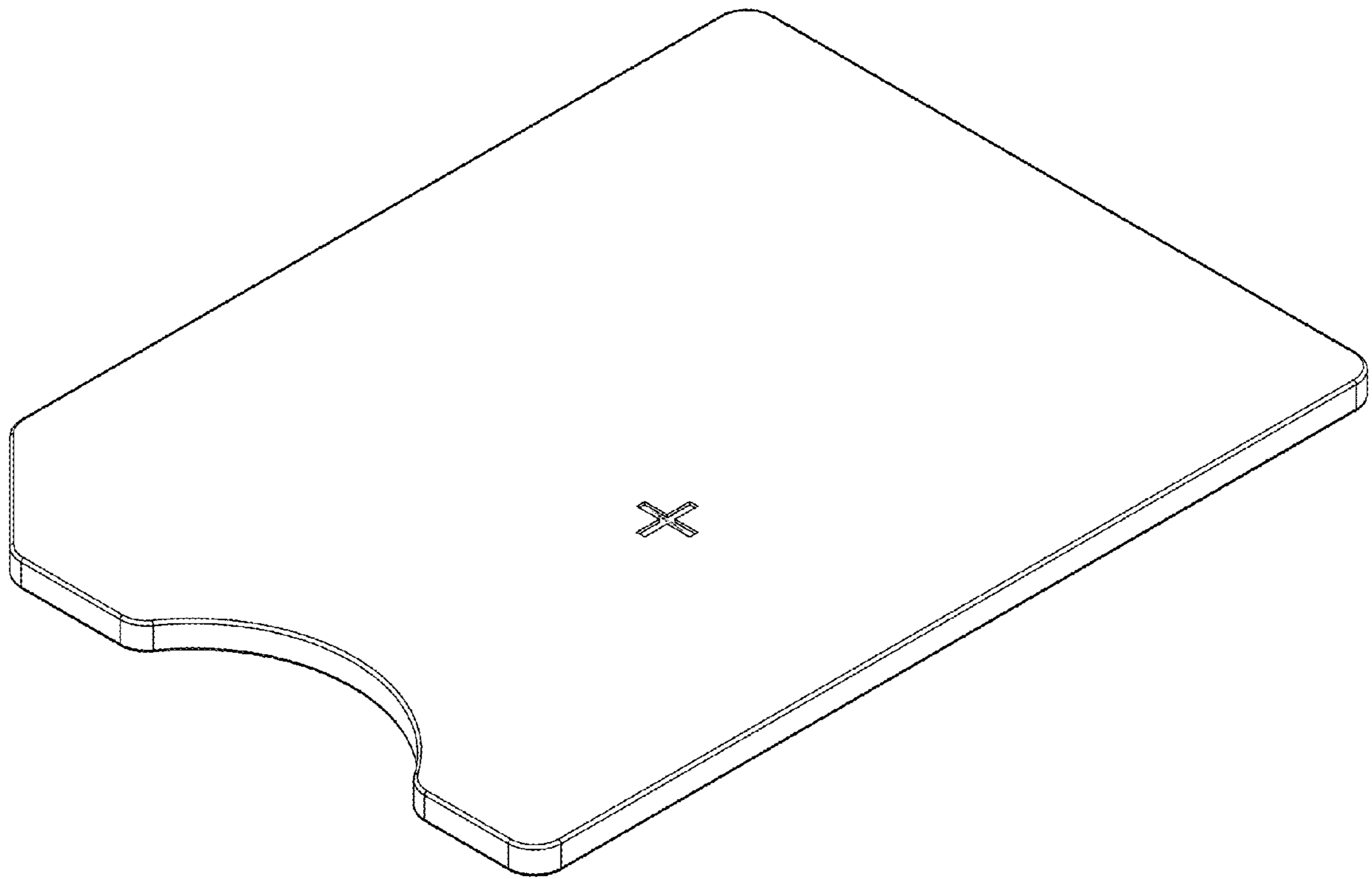


Fig. 1

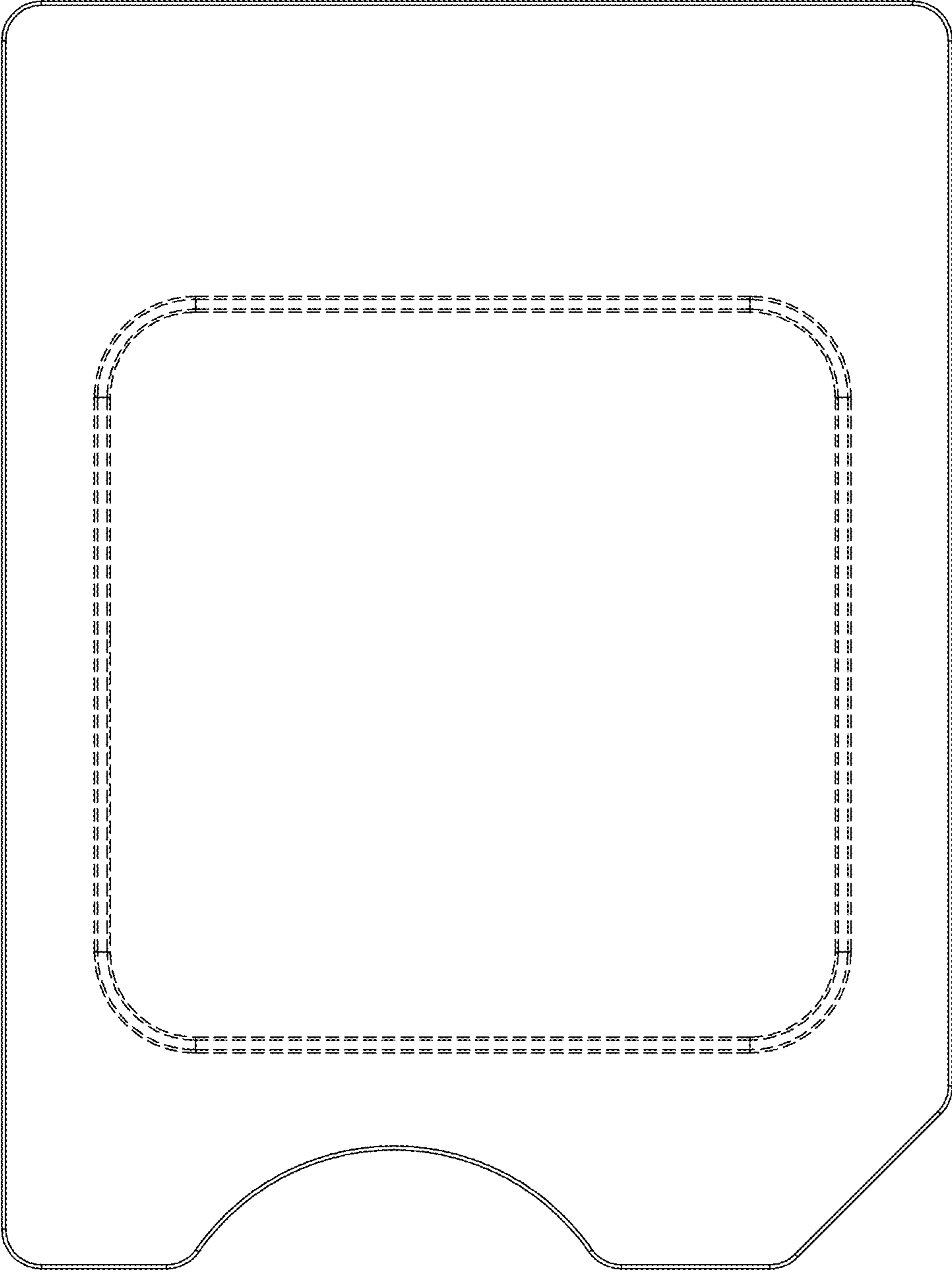


Fig. 2

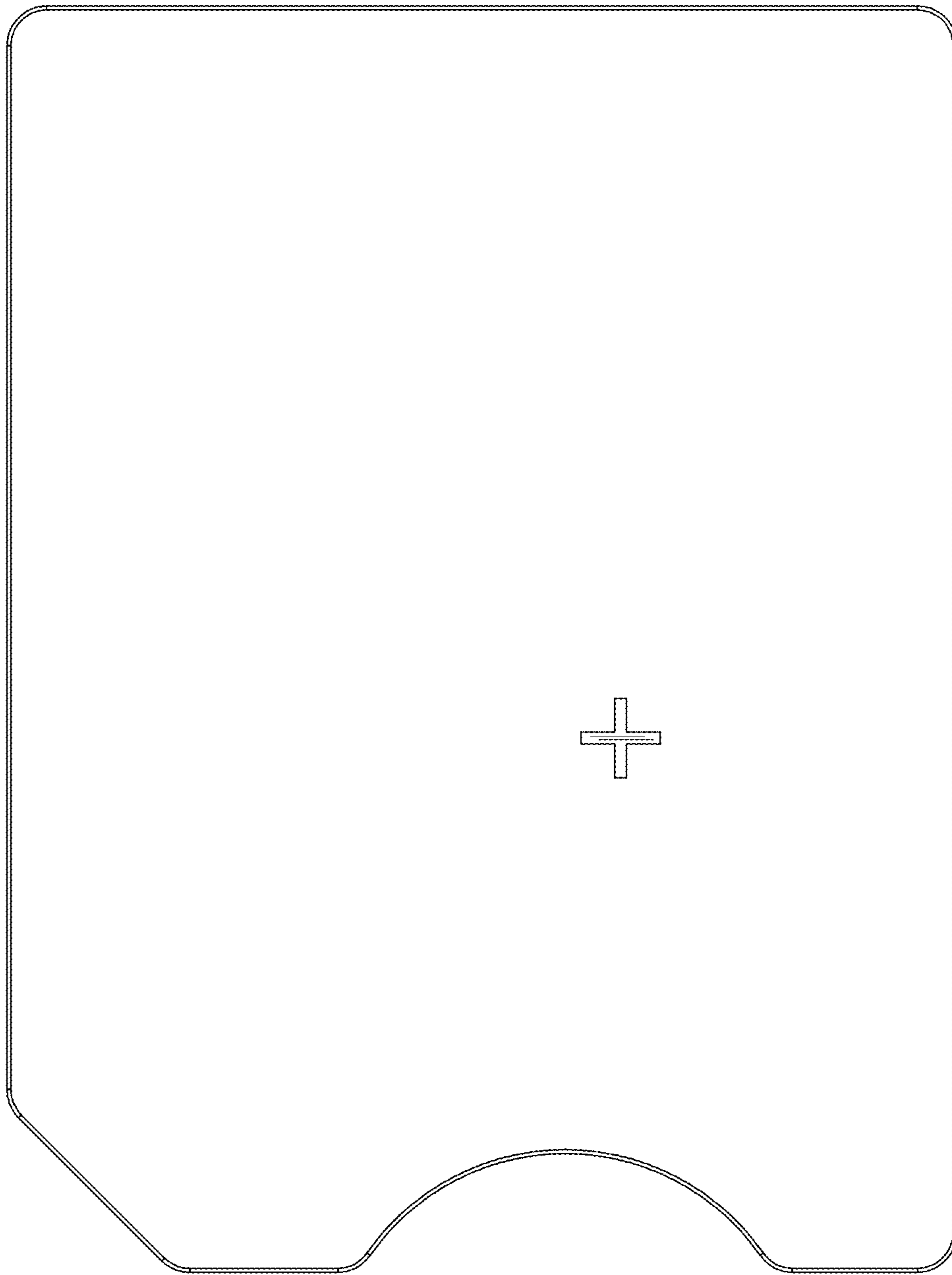
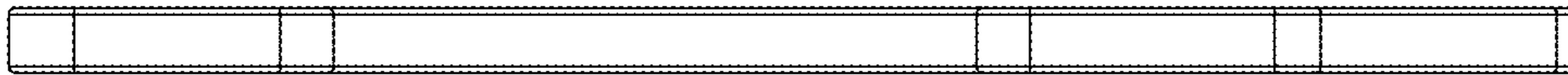


Fig. 3

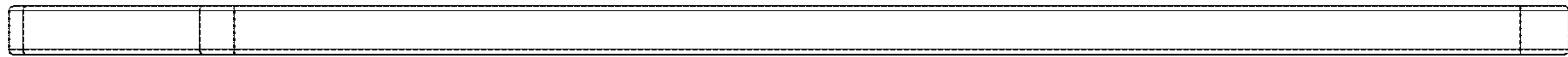


**Fig. 4**



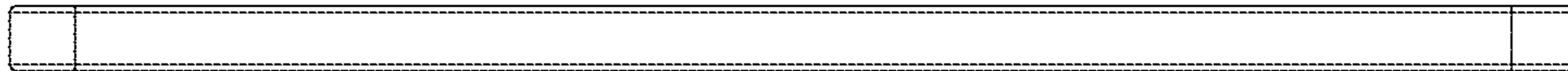
**Fig. 5**





**Fig. 6**





**Fig. 7**

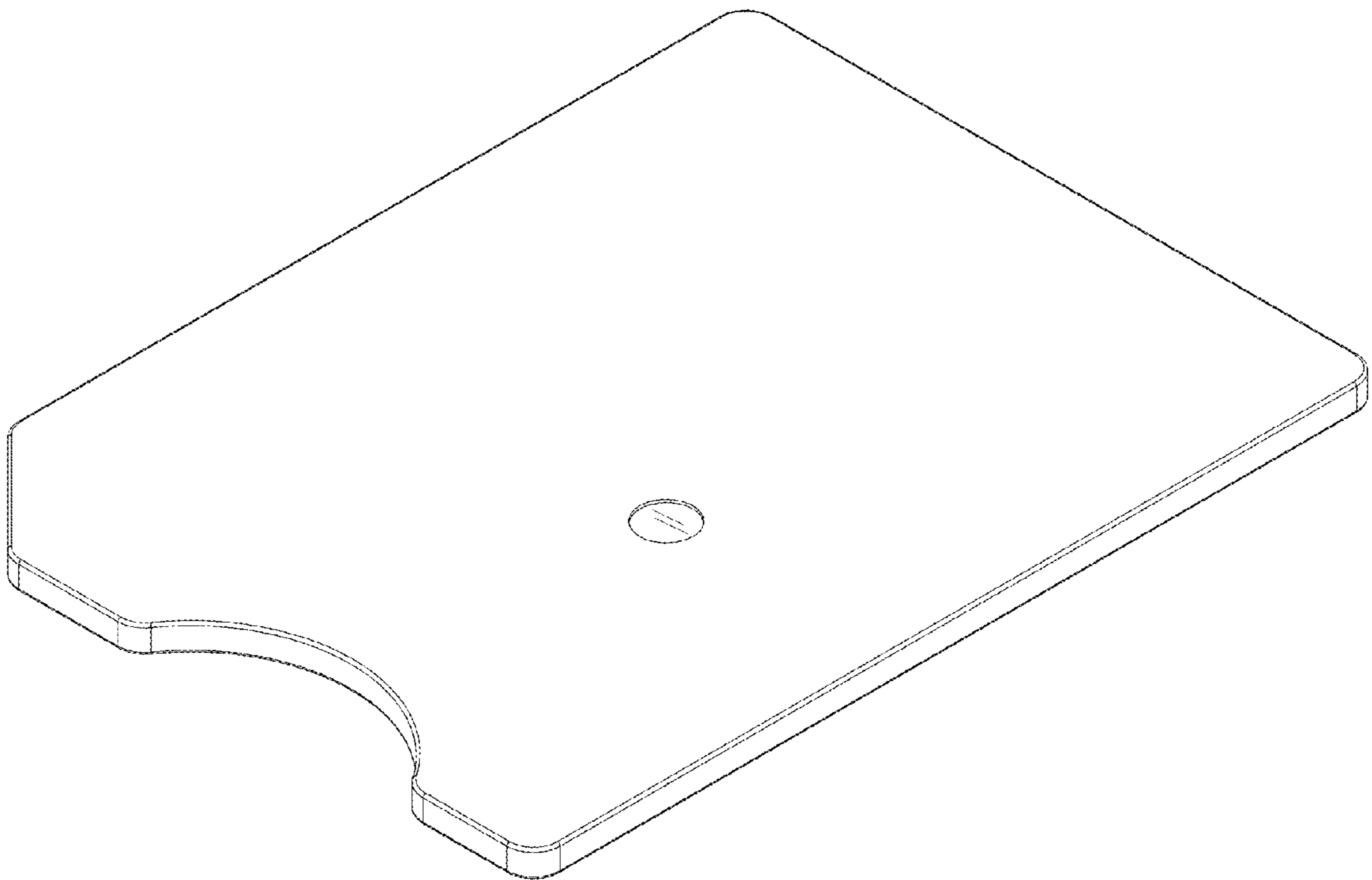


Fig. 8

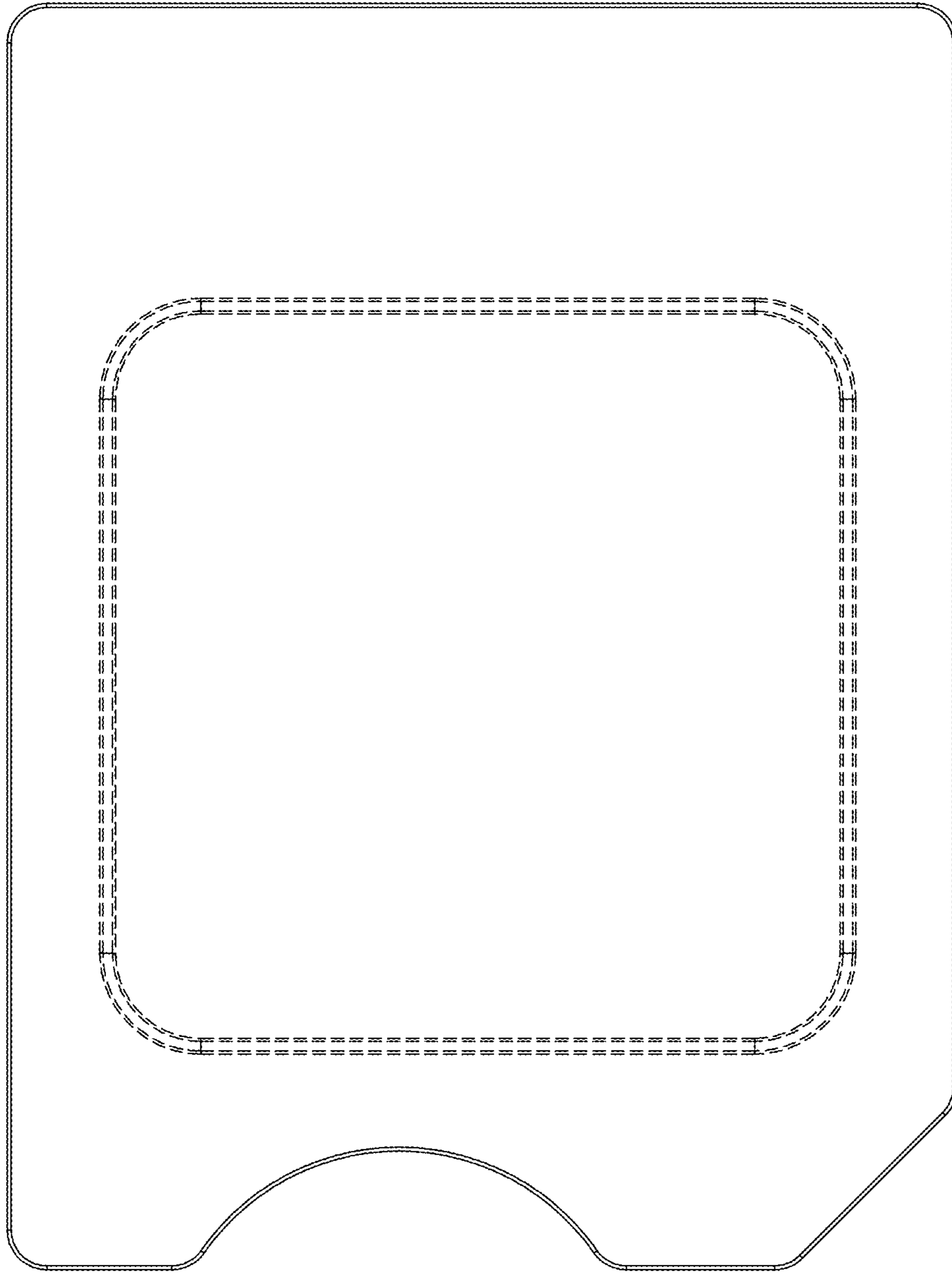


Fig. 9

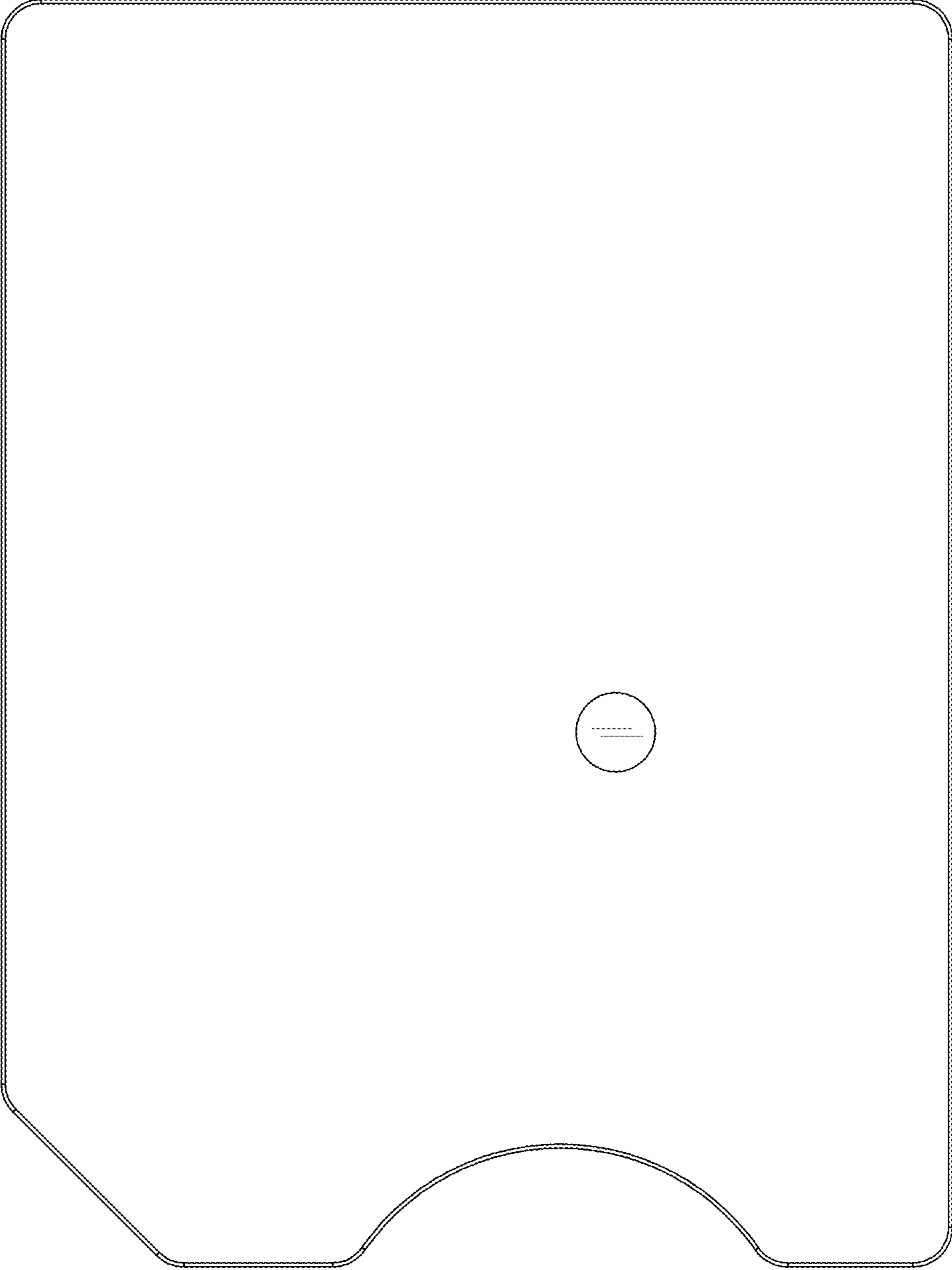
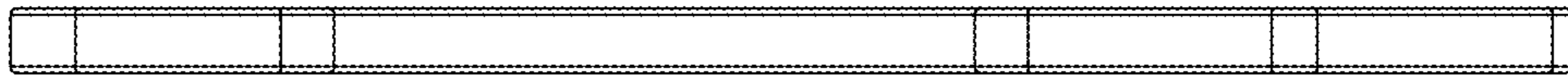


Fig. 10



**Fig.**  
**11**

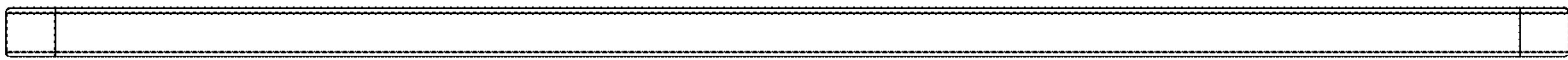


Fig. 12



**Fig. 13**





**Fig. 14**