



US00D898223S

(12) **United States Design Patent** (10) **Patent No.:** **US D898,223 S**  
**Thao et al.** (45) **Date of Patent:** **\*\* Oct. 6, 2020**

(54) **HOLDER FOR MULTIPLE DENTAL COMPOSITE SHADE GUIDES**

(71) Applicant: **3M Innovative Properties Company**, St. Paul, MN (US)

(72) Inventors: **Fusu Thao**, Cottage Grove, MN (US); **Philip N. Stankard**, Minneapolis, MN (US); **Michael J. Vostal**, Minneapolis, MN (US); **Lois F. Duerst**, Hudson, WI (US); **Dylan R. Johnson**, St. Paul, MN (US)

(73) Assignee: **3M Innovative Properties Company**, St. Paul, MN (US)

(\*\*) Term: **15 Years**

(21) Appl. No.: **29/683,365**

(22) Filed: **Mar. 12, 2019**

(51) **LOC (12) Cl.** ..... **24-01**

(52) **U.S. Cl.**  
USPC ..... **D24/229; D24/176**

(58) **Field of Classification Search**  
USPC ..... D24/176, 223-232  
CPC .. B01L 9/52; B01L 9/523; B01L 9/527; B01L 9/06; A61J 1/165; A61J 1/1468; A61C 19/10

See application file for complete search history.

(56) **References Cited**

**U.S. PATENT DOCUMENTS**

4,657,399 A 4/1987 Hall  
5,004,417 A \* 4/1991 Giaramita ..... A61C 19/10  
433/26

D319,873 S \* 9/1991 Rouse ..... D24/176  
5,066,227 A \* 11/1991 Pozzi ..... A61C 19/10  
433/26  
5,114,340 A 5/1992 Hahn  
D359,127 S \* 6/1995 Biesecker ..... D24/227  
5,588,834 A 12/1996 Resk  
D446,311 S \* 8/2001 Wescott, III ..... D24/230  
6,315,554 B1 11/2001 Coste  
D598,566 S \* 8/2009 Allaer ..... D24/230  
8,708,684 B2 4/2014 Oguri  
D780,936 S \* 3/2017 Guaragno ..... D24/227  
D799,057 S \* 10/2017 Shanafelter ..... D24/227  
D850,624 S \* 6/2019 Huwais ..... D24/176  
D880,723 S \* 4/2020 Aravena ..... D24/229  
2005/0164144 A1 7/2005 Streib  
2009/0233253 A1 9/2009 Mrazek

\* cited by examiner

*Primary Examiner* — Anhdao Doan

(57) **CLAIM**

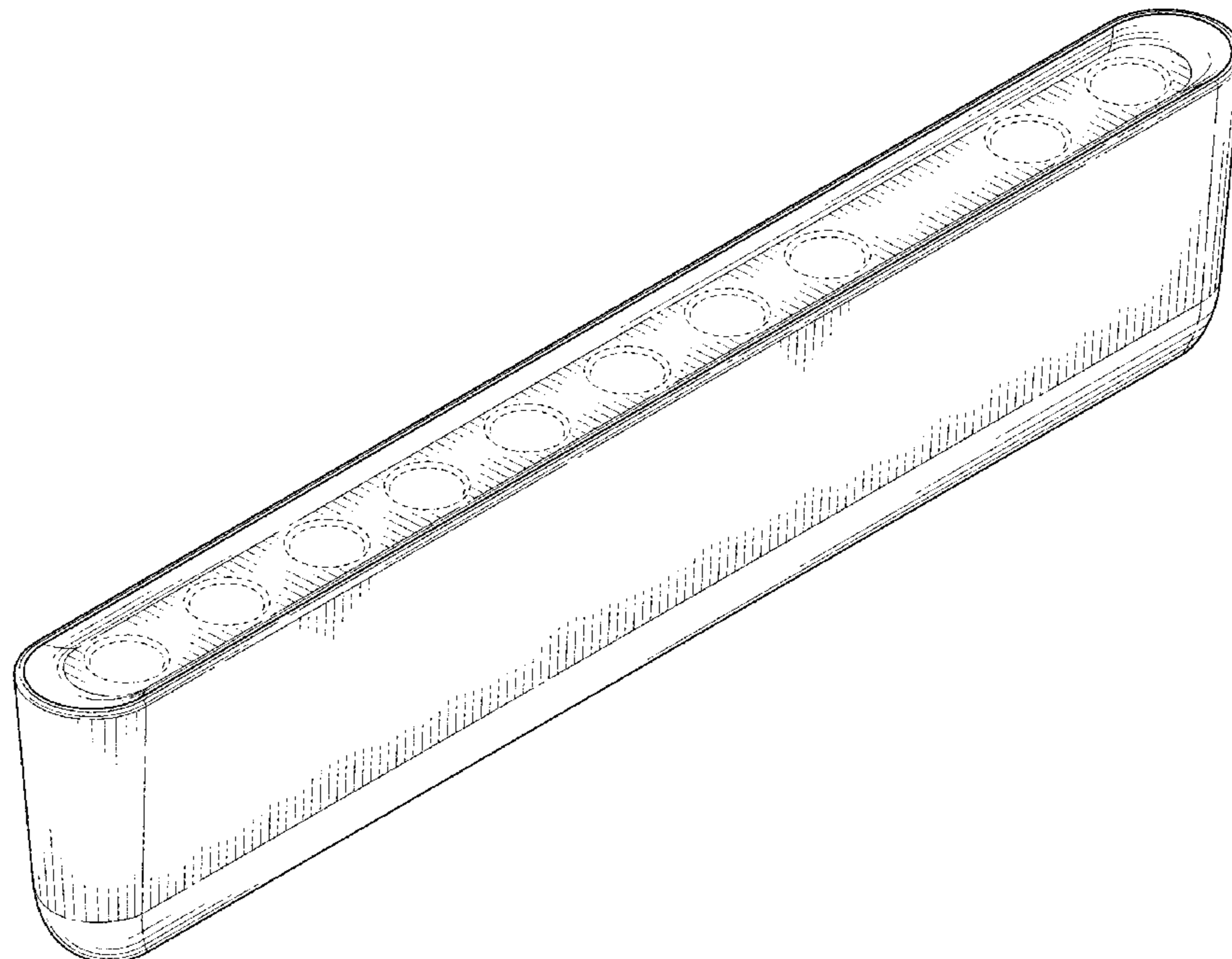
The ornamental design for a holder for multiple dental composite shade guides, as shown and described.

**DESCRIPTION**

FIG. 1 is a perspective view of a holder for multiple dental composite shade guides;  
FIG. 2 is a top view thereof;  
FIG. 3 is a bottom view thereof;  
FIG. 4 is a left side view thereof;  
FIG. 5 is a right side view thereof;  
FIG. 6 is a front view thereof; and,  
FIG. 7 is a back view thereof.

The broken lines depict portions of the holder for multiple dental composite shade guides that form no part of the claimed design; the broken lines form no part of the claimed design.

**1 Claim, 3 Drawing Sheets**



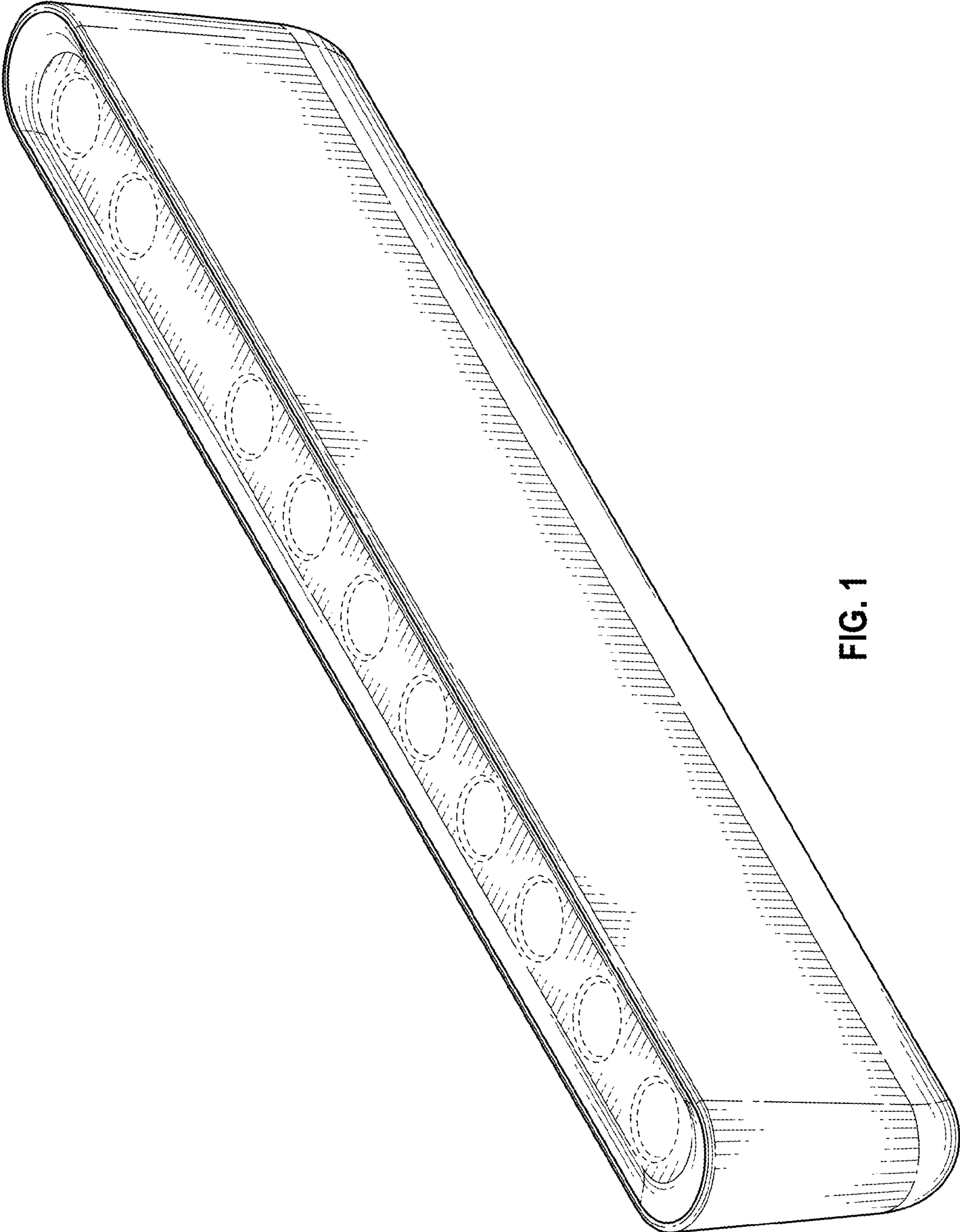


FIG. 1

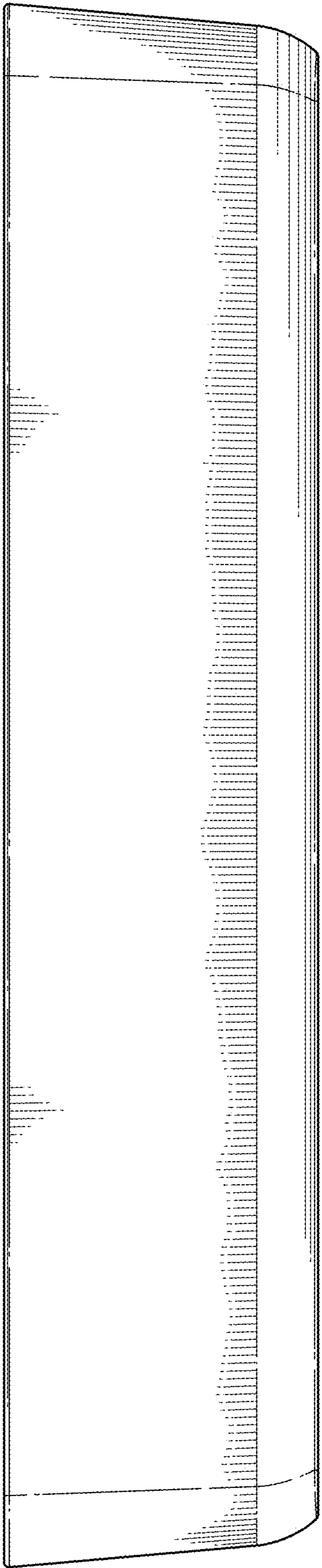


FIG. 2

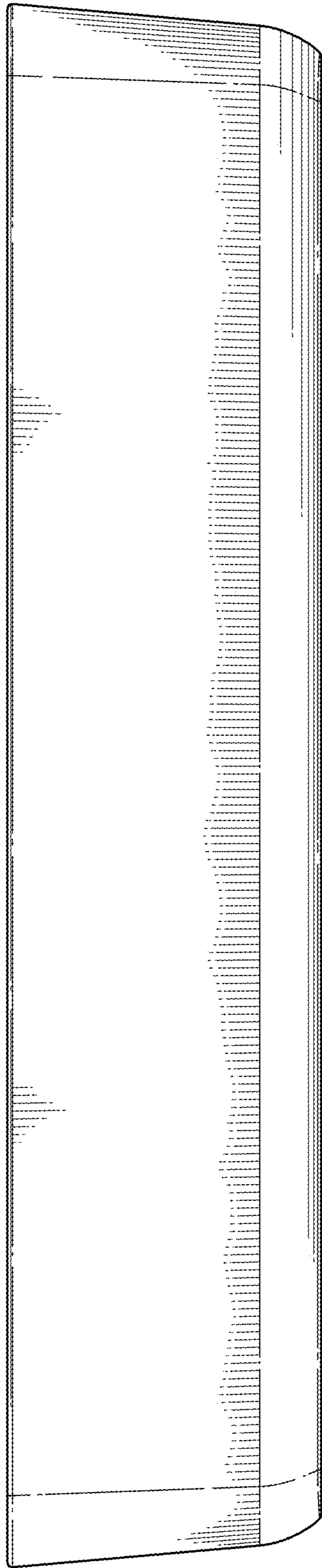


FIG. 3

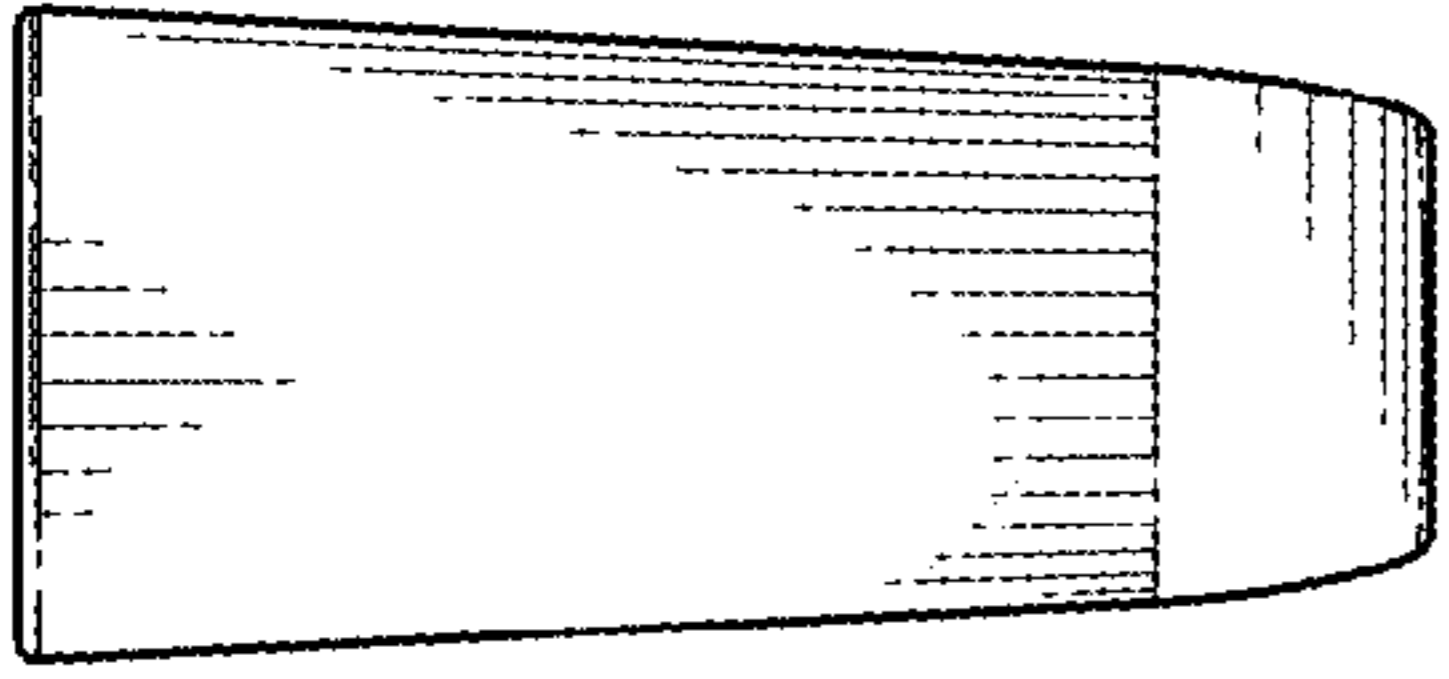


FIG. 4

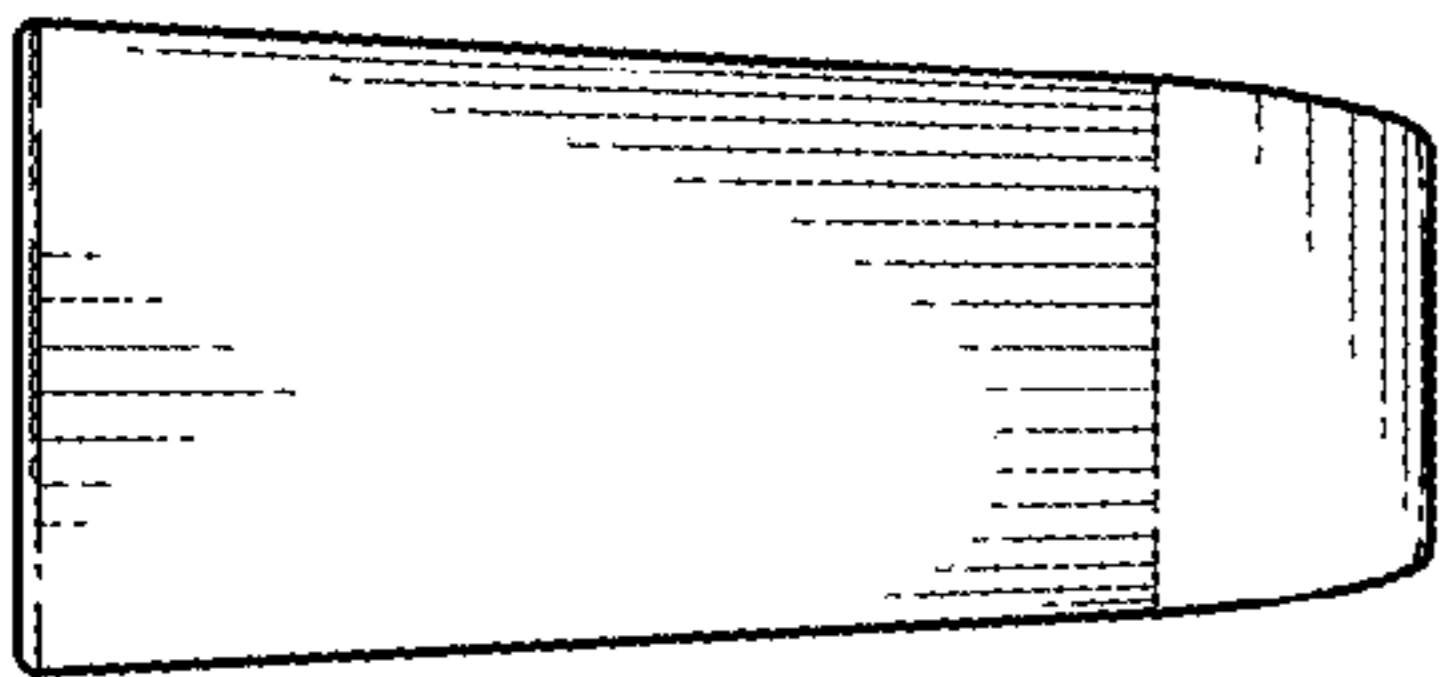


FIG. 5

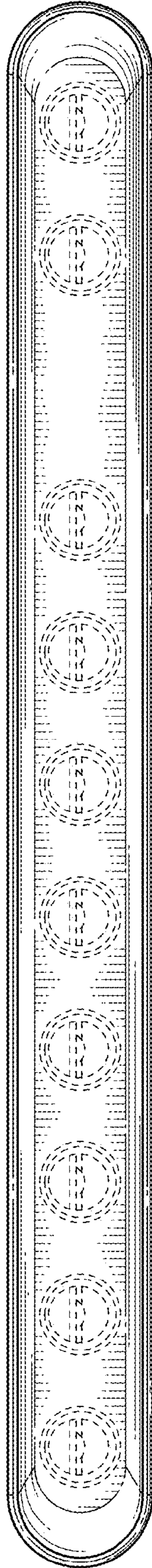


FIG. 6

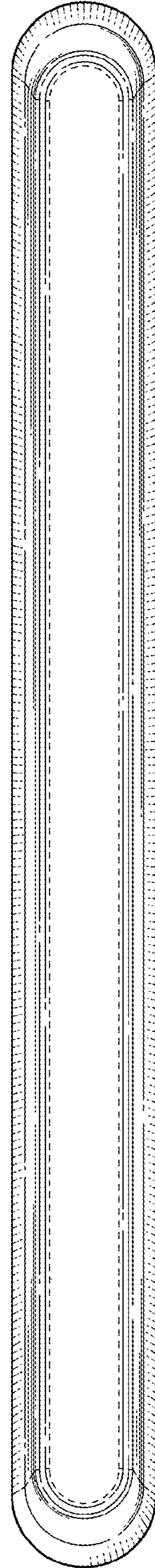


FIG. 7