



US00D898218S

(12) **United States Design Patent** (10) **Patent No.:** **US D898,218 S**
Hickey (45) **Date of Patent:** **** Oct. 6, 2020**

(54) **SANITATION CHAMBER**
(71) Applicant: **Roger W. Hickey**, Huntington Beach, CA (US)
(72) Inventor: **Roger W. Hickey**, Huntington Beach, CA (US)
(**) Term: **15 Years**
(21) Appl. No.: **29/680,244**
(22) Filed: **Feb. 14, 2019**
(51) **LOC (12) Cl.** **24-01**
(52) **U.S. Cl.**
USPC **D24/217**
(58) **Field of Classification Search**
USPC D24/216, 217, 218, 219, 232; D32/1, 25
CPC A61L 2/26; A61L 2/24; A61L 2/17; A61L 2/18; A61L 2/025; A61L 2202/122; A61L 2202/10; A61L 2202/11; A61L 2202/14; A61L 2202/23; A61L 2202/24; A61L 2202/182
See application file for complete search history.

D679,825 S * 4/2013 Elkerbout D24/217
D704,349 S * 5/2014 Williams D24/217
D719,673 S * 12/2014 Leyva D24/217
D729,941 S * 5/2015 Hu D24/217
D733,315 S * 6/2015 Lui D24/227
D848,635 S * 5/2019 Davis D24/217
D868,992 S * 12/2019 Ma D24/217

* cited by examiner

Primary Examiner — Anhdao Doan
(74) *Attorney, Agent, or Firm* — Eric Karich; Karich & Associates

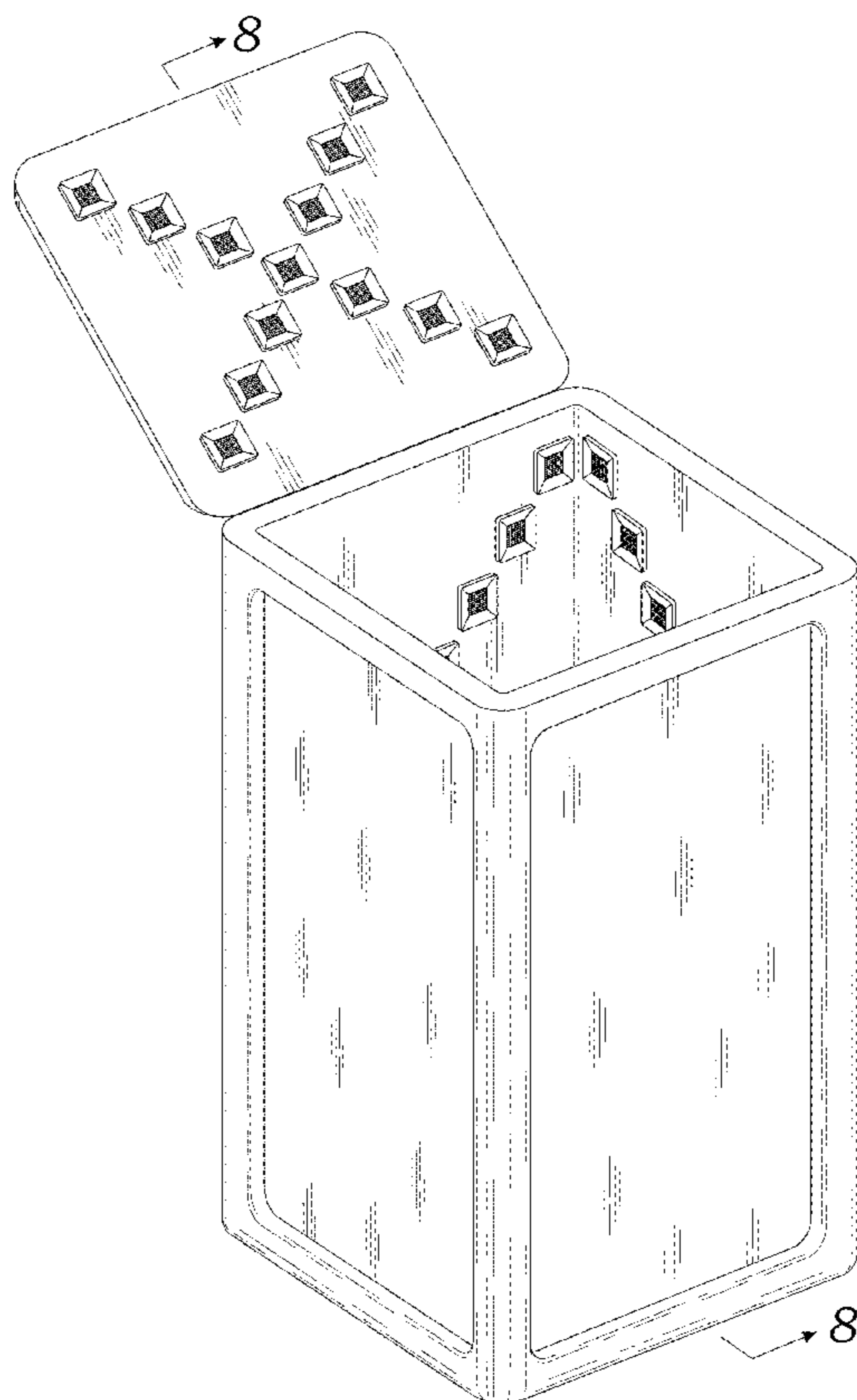
(57) **CLAIM**
The ornamental design for a sanitation chamber, as shown and described.

DESCRIPTION

FIG. 1 is a perspective view of a sanitation chamber, showing my new design;
FIG. 2 is a front elevational view thereof;
FIG. 3 is a rear elevational view thereof;
FIG. 4 is a left side elevational view thereof
FIG. 5 is a right side elevational view thereof;
FIG. 6 is a top plan view thereof;
FIG. 7 is a bottom plan view thereof; and,
FIG. 8 is a cross-sectional view thereof taken along line 8-8 of FIG. 1.
The broken lines depict portions of the sanitation chamber that form no part of the claimed design; the broken lines form no part of the claimed design.

(56) **References Cited**
U.S. PATENT DOCUMENTS
D593,262 S * 5/2009 Gong D24/217
D629,529 S * 12/2010 Russell, II D24/217
8,378,323 B1 * 2/2013 Spann A61L 2/10
250/455.11

1 Claim, 7 Drawing Sheets



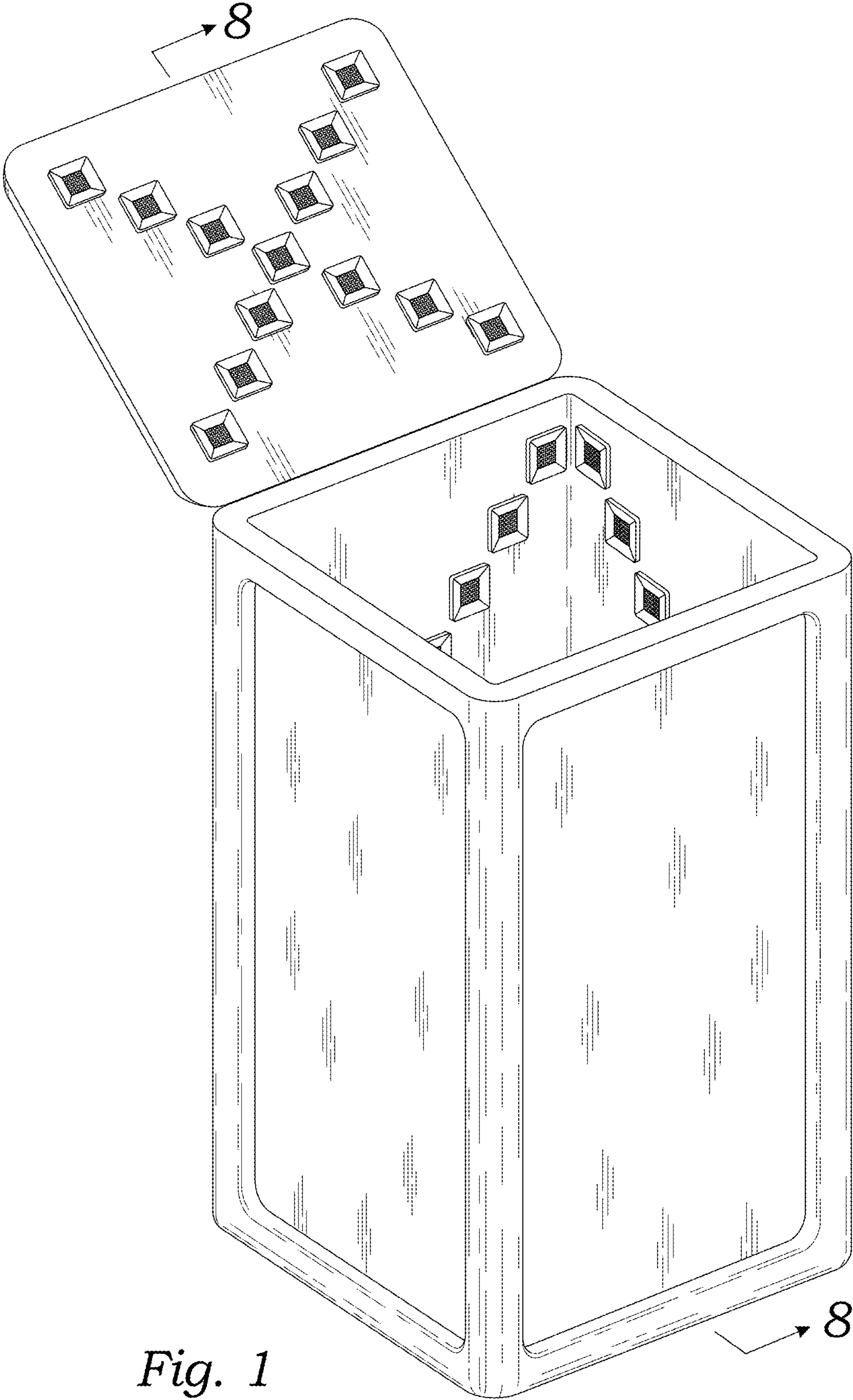


Fig. 1

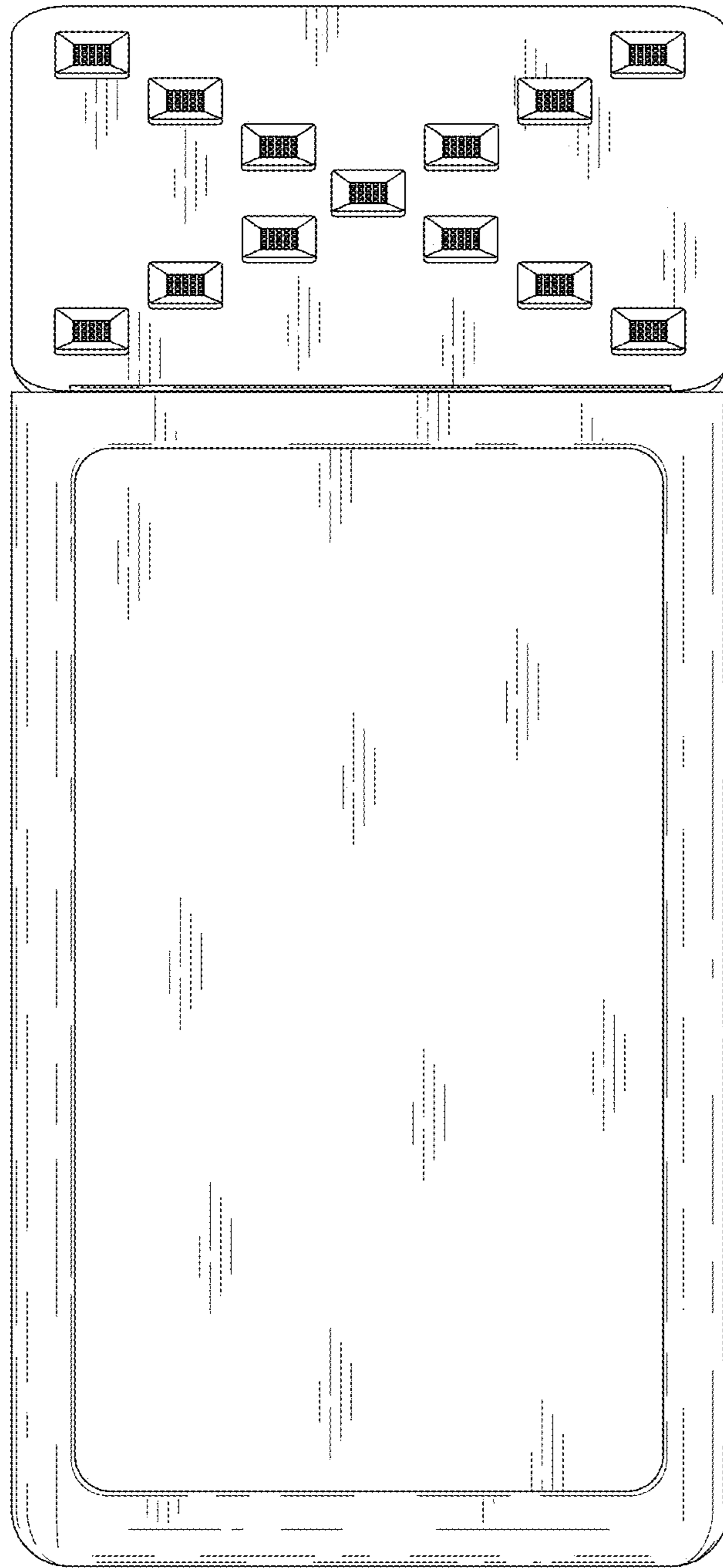


Fig. 2

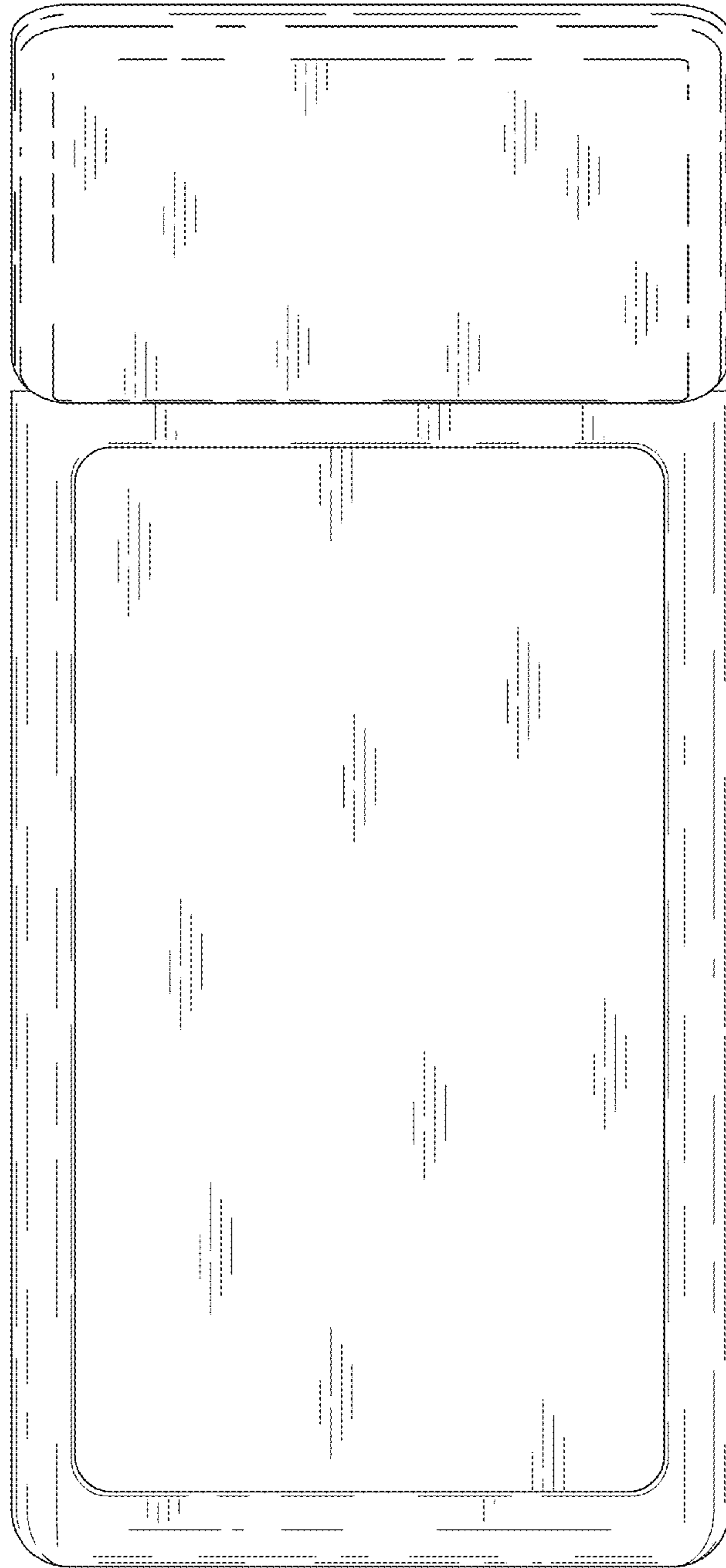


Fig. 3

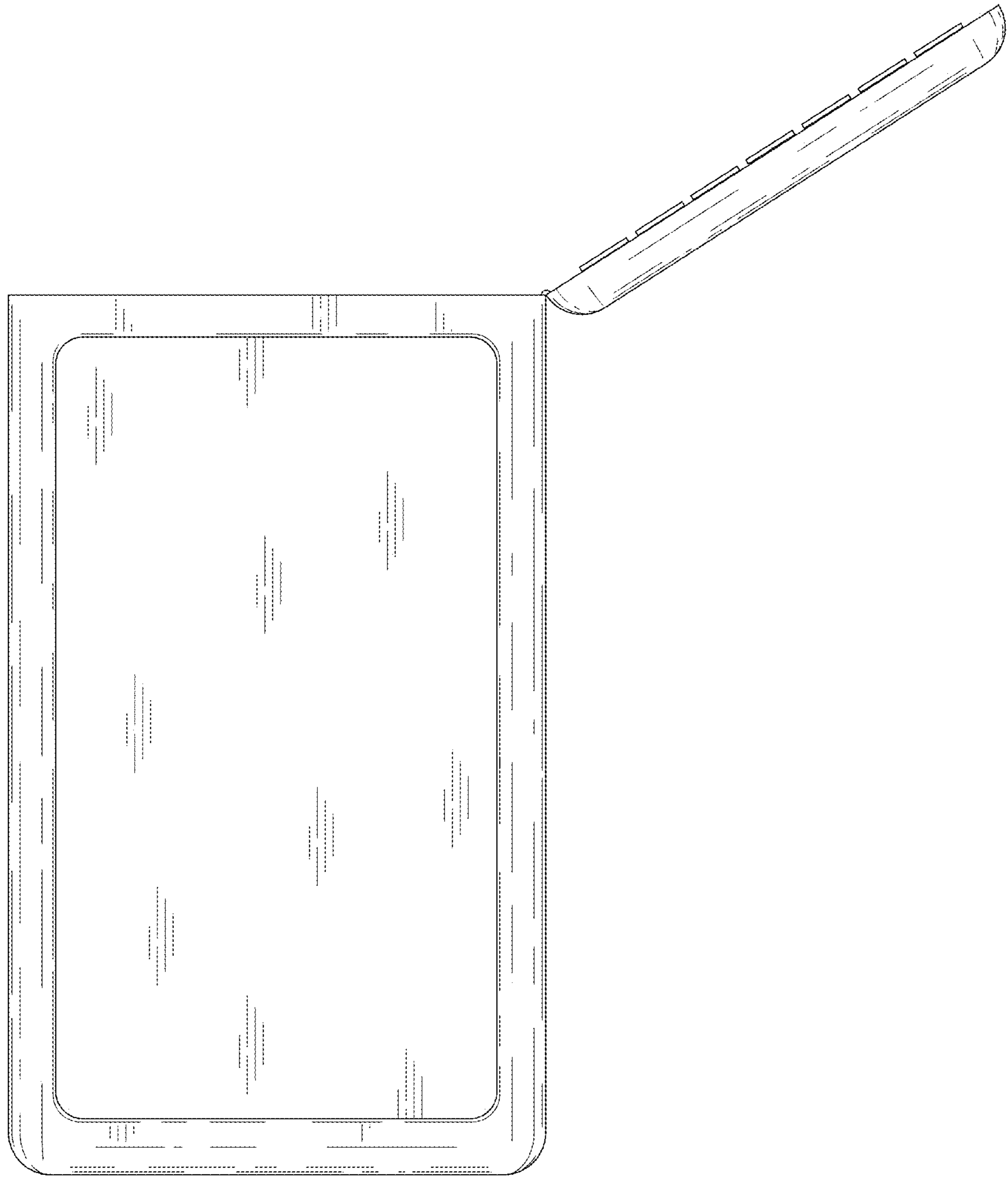


Fig. 4

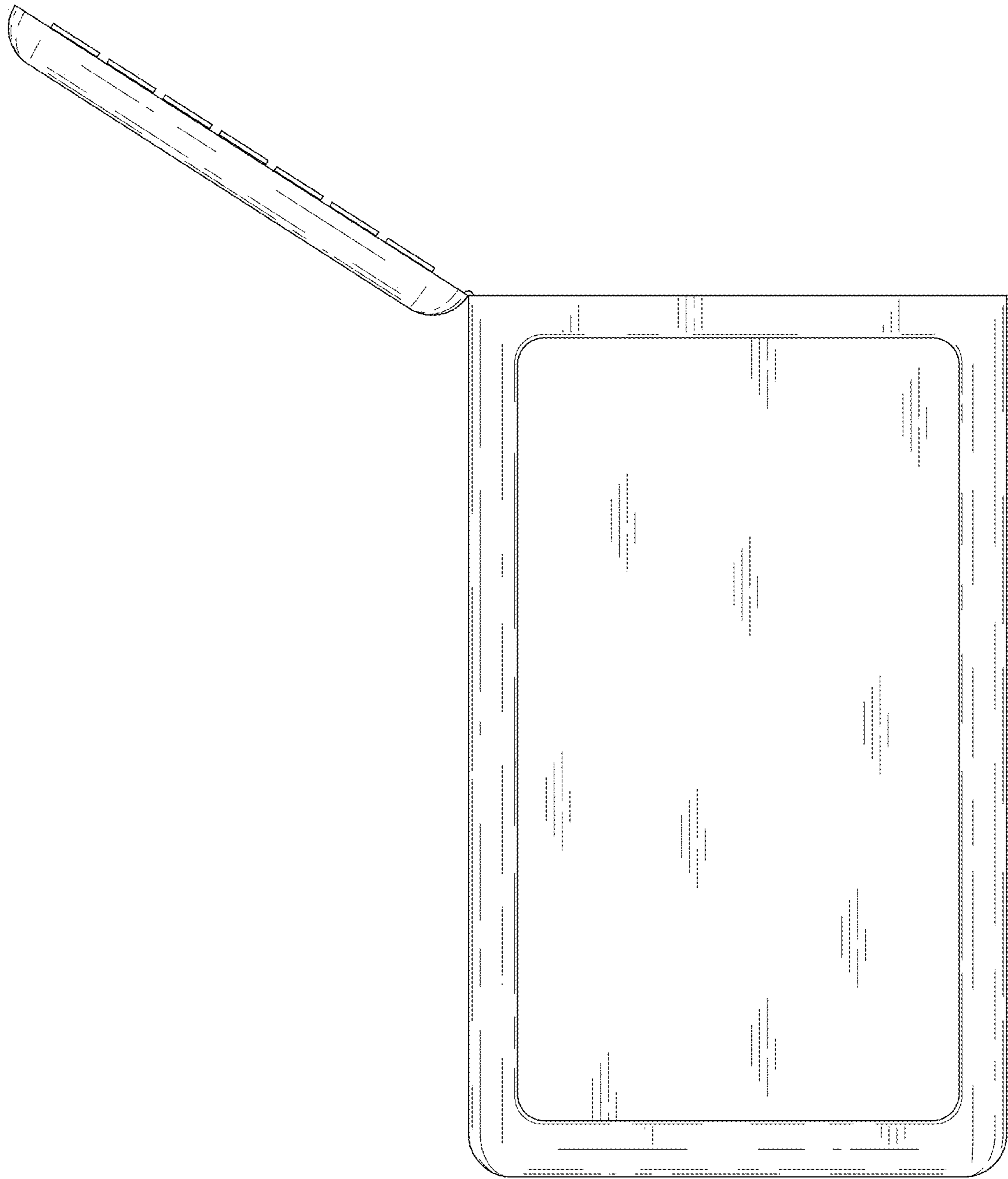


Fig. 5

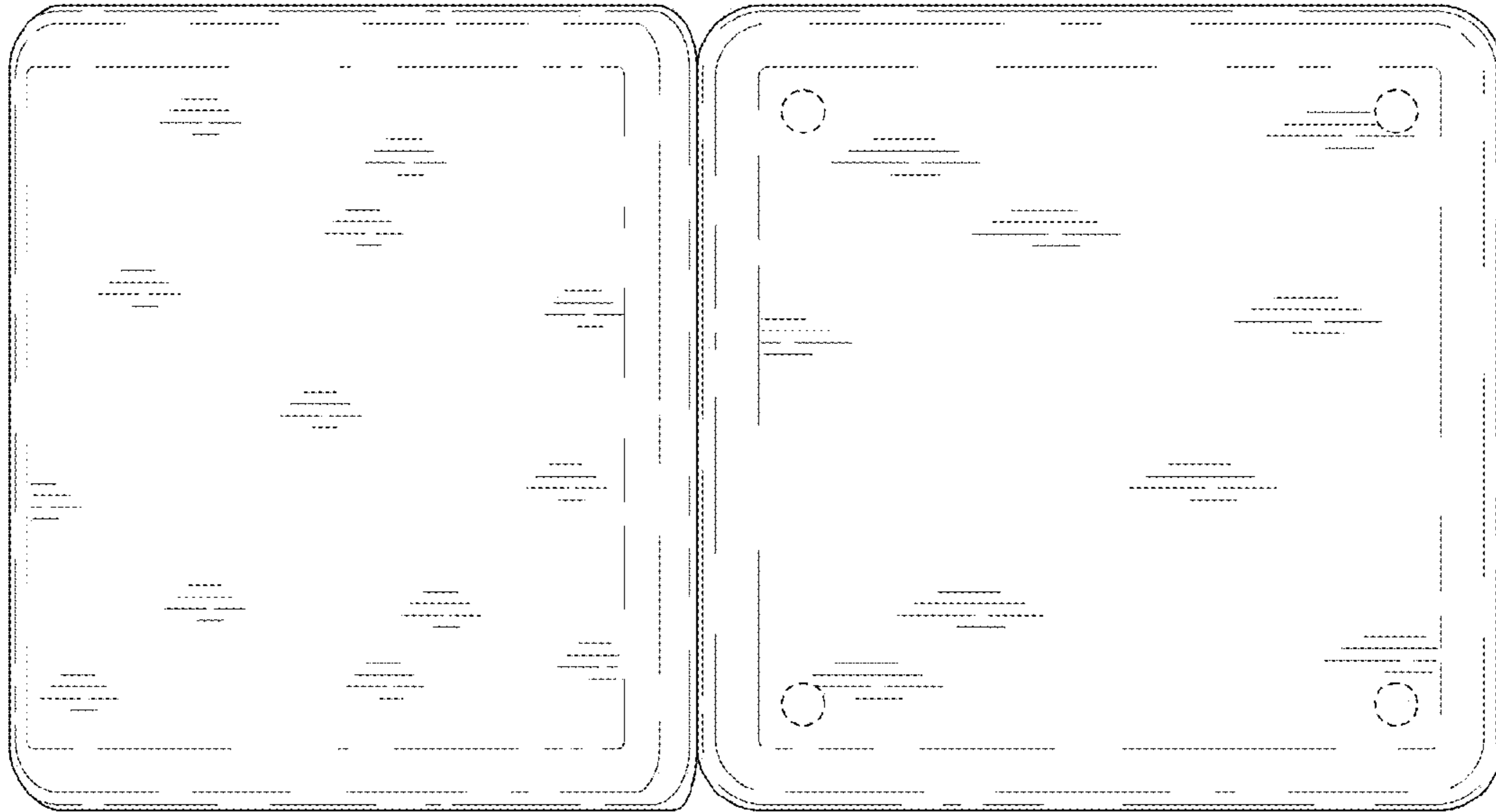


Fig. 7

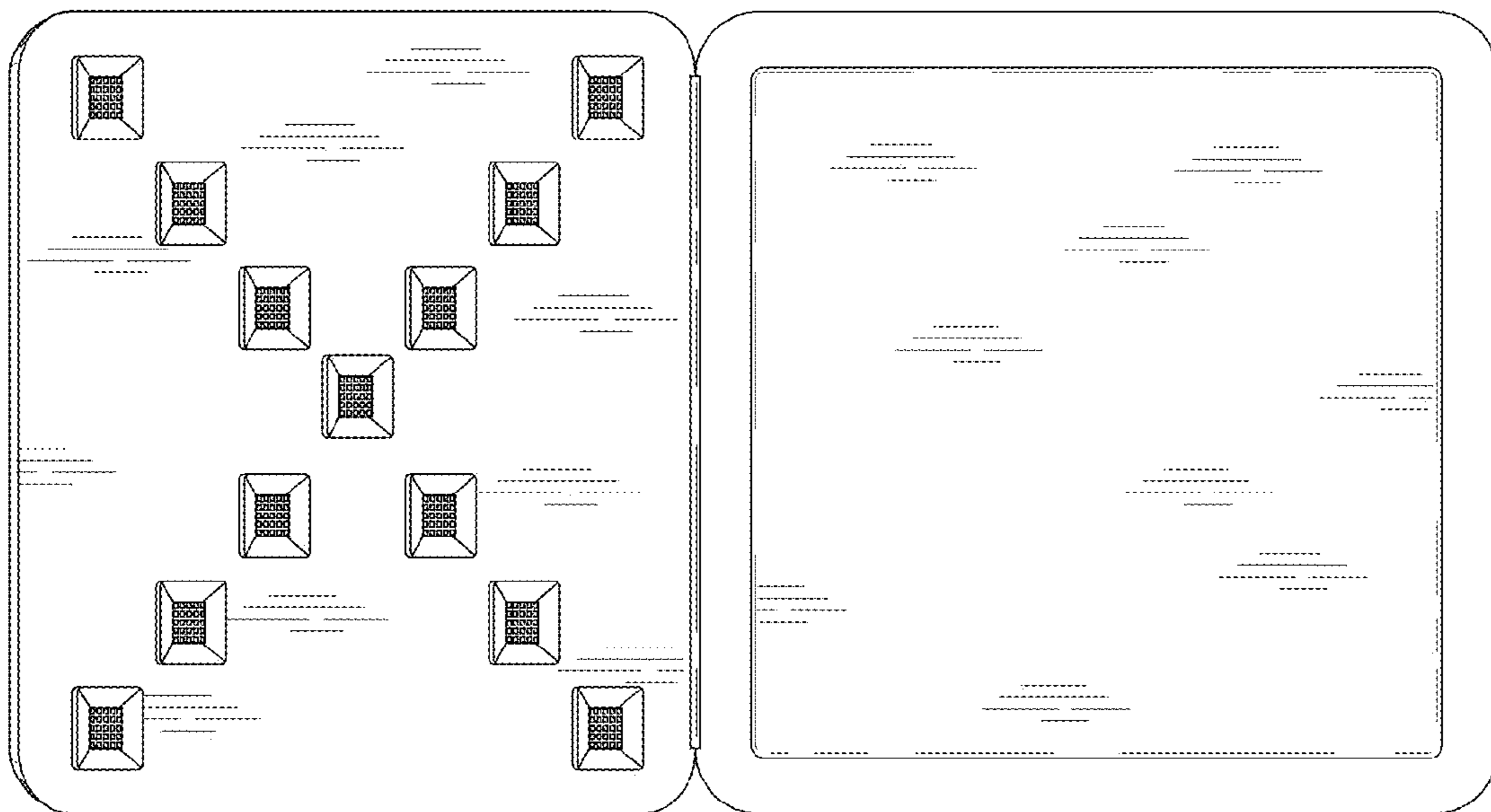


Fig. 6

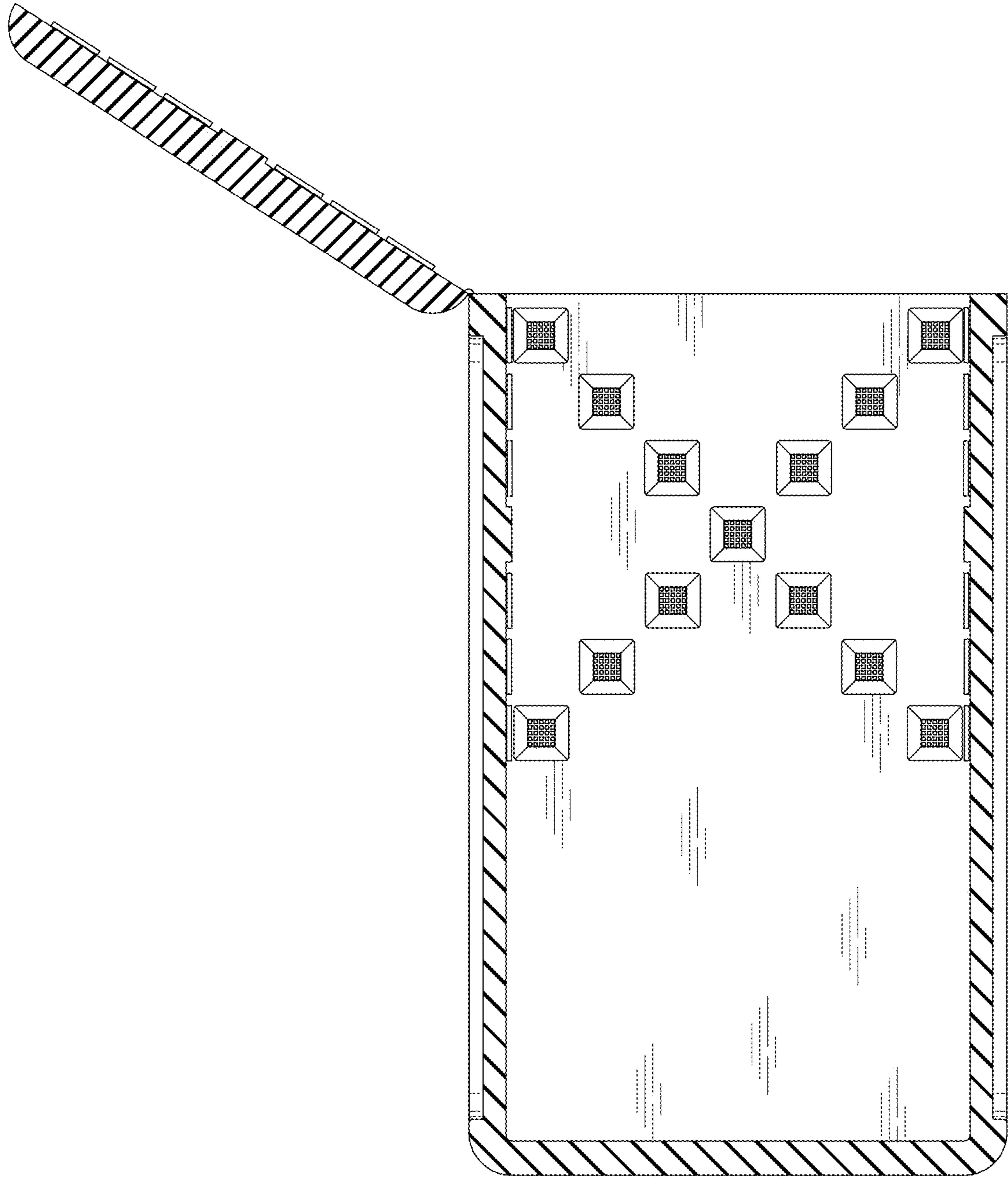


Fig. 8