

US00D898217S

(12) **United States Design Patent** (10) **Patent No.:** **US D898,217 S**  
**Hickey** (45) **Date of Patent:** **\*\* Oct. 6, 2020**

(54) **SANITATION TABLET**

(71) Applicant: **Roger W. Hickey**, Huntington Beach, CA (US)

(72) Inventor: **Roger W. Hickey**, Huntington Beach, CA (US)

(\*\*) Term: **15 Years**

(21) Appl. No.: **29/680,241**

(22) Filed: **Feb. 14, 2019**

(51) **LOC (12) Cl.** ..... **24-01**

(52) **U.S. Cl.**  
USPC ..... **D24/217**

(58) **Field of Classification Search**  
USPC ..... D24/216, 217, 218, 219, 232; D32/1, 25  
CPC ..... A61L 2/26; A61L 2/24; A61L 2/17; A61L 2/18; A61L 2/025; A61L 2202/122; A61L 2202/10; A61L 2202/11; A61L 2202/14; A61L 2202/23; A61L 2202/24; A61L 2202/182

See application file for complete search history.

(56) **References Cited**

**U.S. PATENT DOCUMENTS**

D295,074 S \* 4/1988 Jerge ..... D24/217  
D306,065 S \* 2/1990 Williams ..... D24/217

D307,794 S \* 5/1990 Williams ..... D24/217  
D837,997 S \* 1/2019 Gil ..... D24/217  
D877,927 S \* 3/2020 Nathan ..... D24/217  
D885,603 S \* 5/2020 Zhang ..... D24/217

\* cited by examiner

*Primary Examiner* — Anhdao Doan

(74) *Attorney, Agent, or Firm* — Eric Karich; Karich & Associates

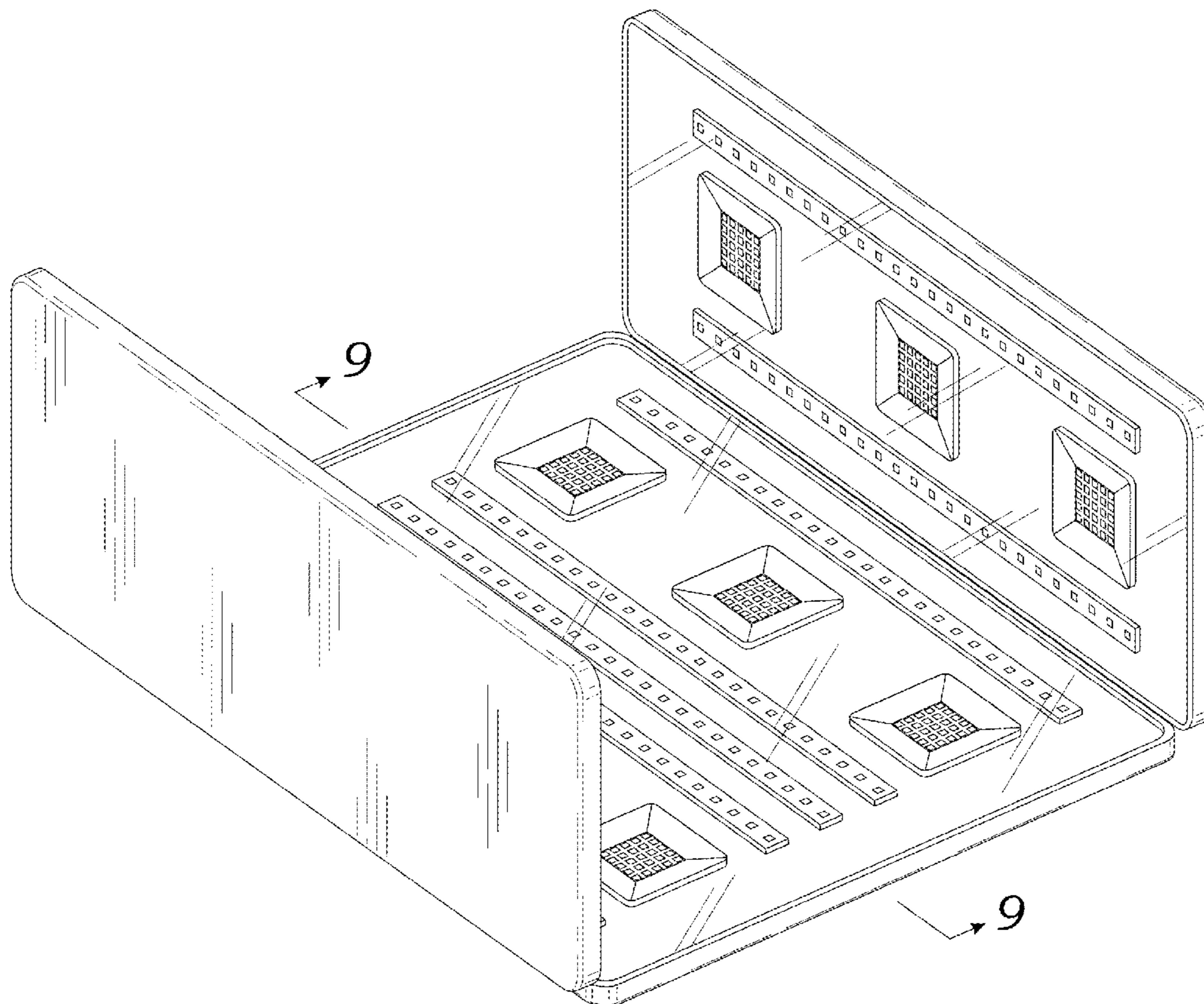
(57) **CLAIM**

The ornamental design for a sanitation tablet, as shown and described.

**DESCRIPTION**

FIG. 1 is a perspective view of a sanitation tablet, showing my new design;  
FIG. 2 is a second perspective view thereof, in an open configuration;  
FIG. 3 is a front elevational view thereof;  
FIG. 4 is a rear elevational view thereof;  
FIG. 5 is a left side elevational view thereof  
FIG. 6 is a right side elevational view thereof;  
FIG. 7 is a top plan view thereof;  
FIG. 8 is a bottom plan view thereof; and,  
FIG. 9 is a cross-sectional view thereof taken along line 9-9 of FIG. 2.

**1 Claim, 7 Drawing Sheets**



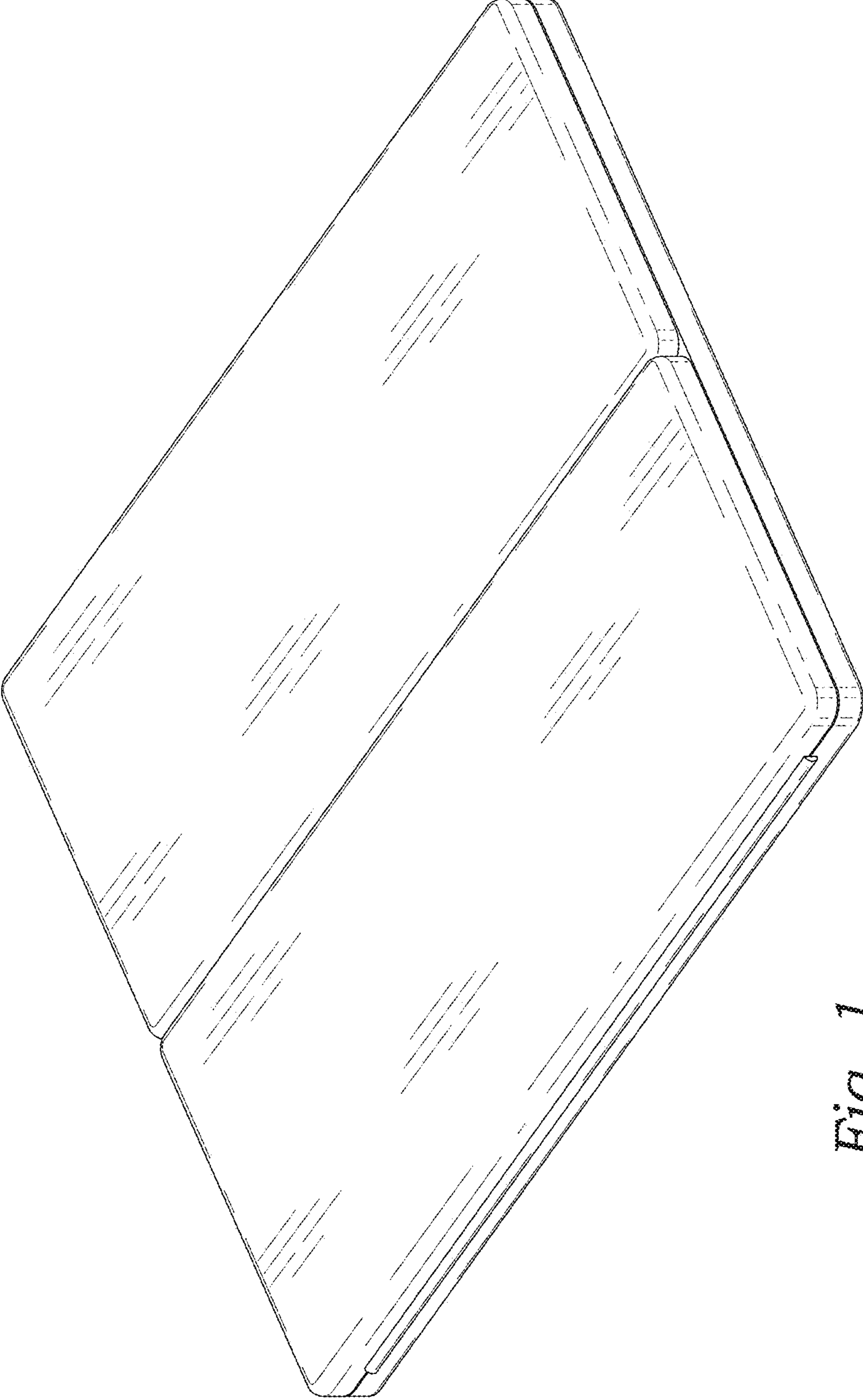


Fig. 1

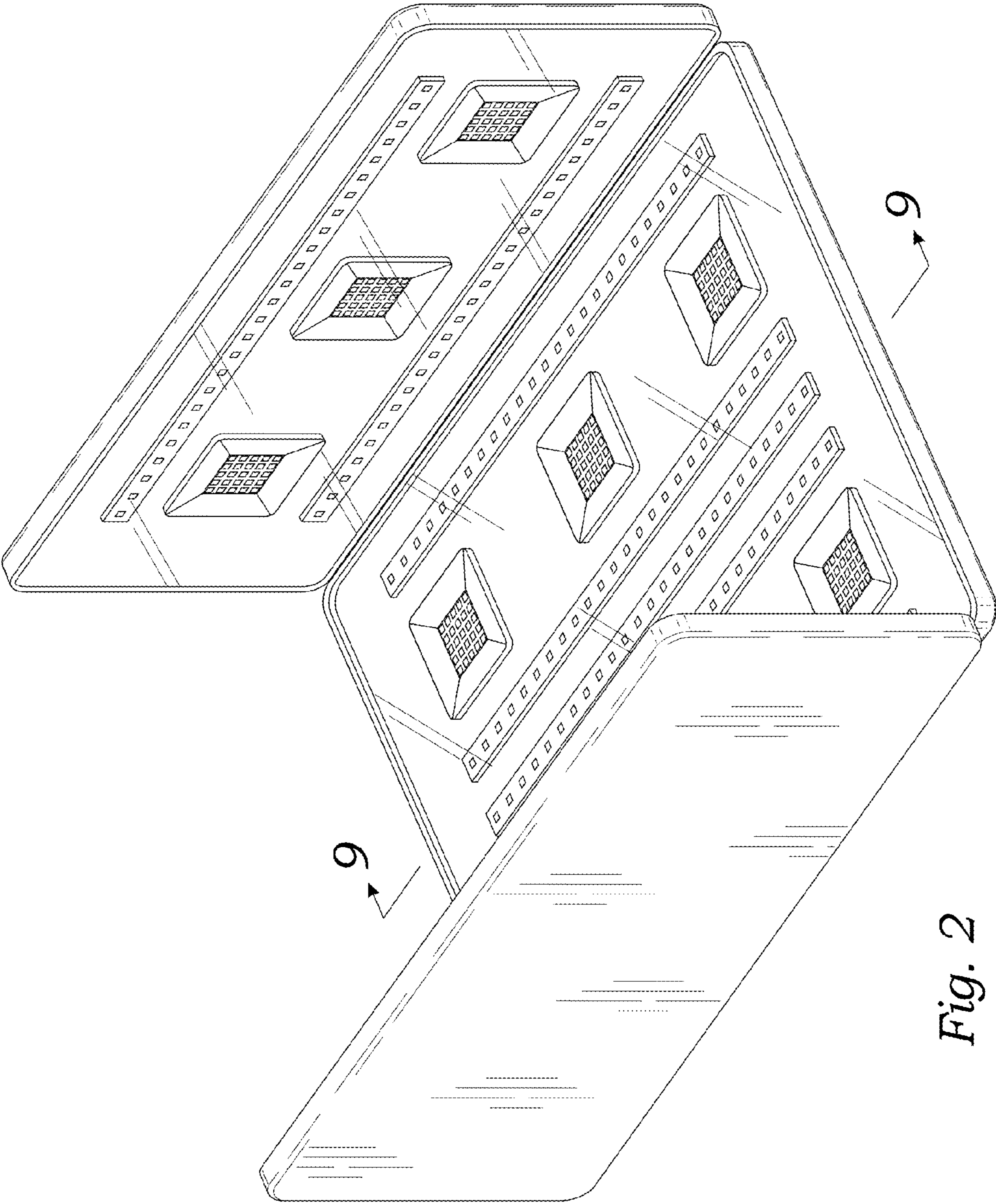


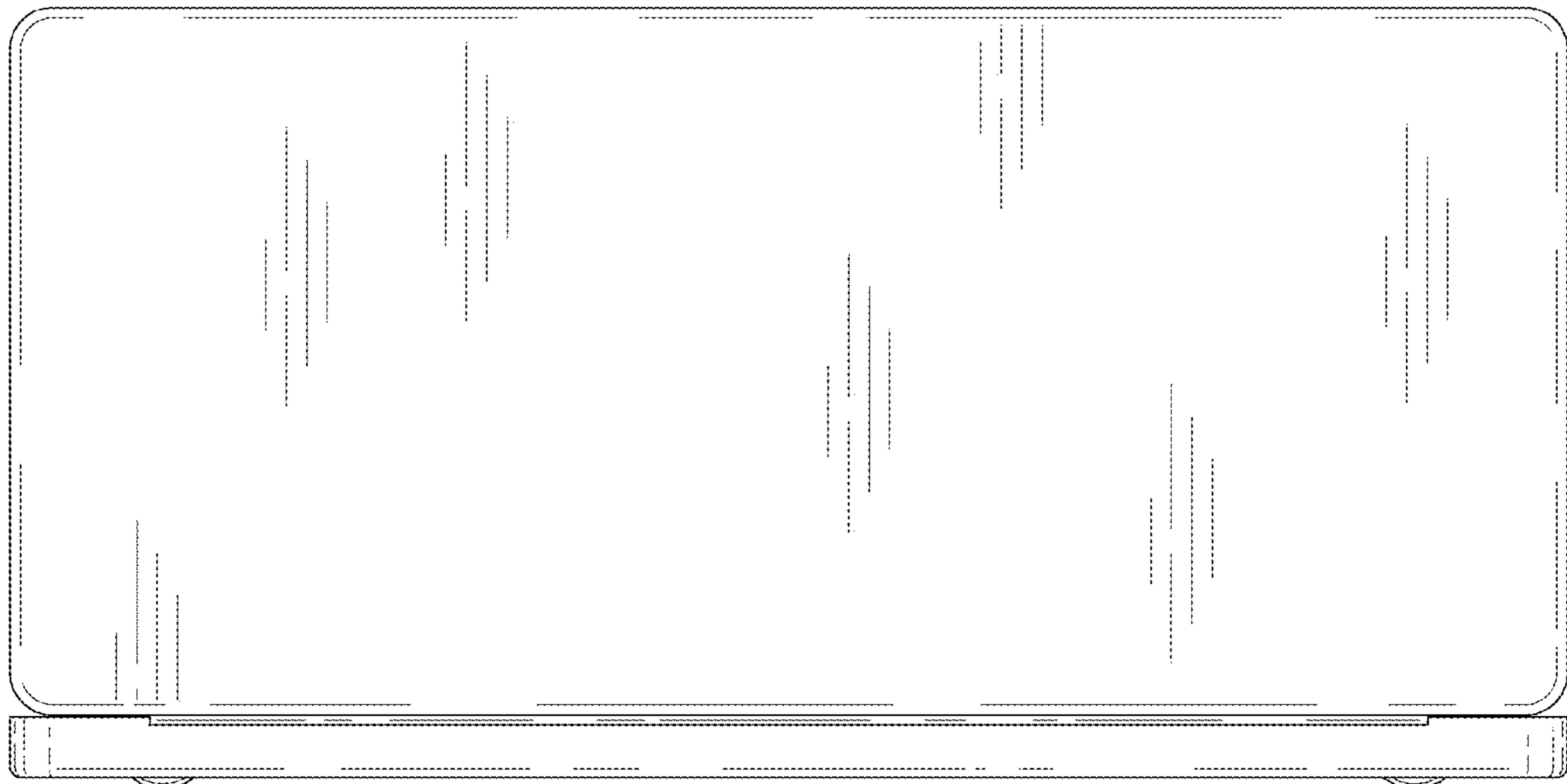
Fig. 2



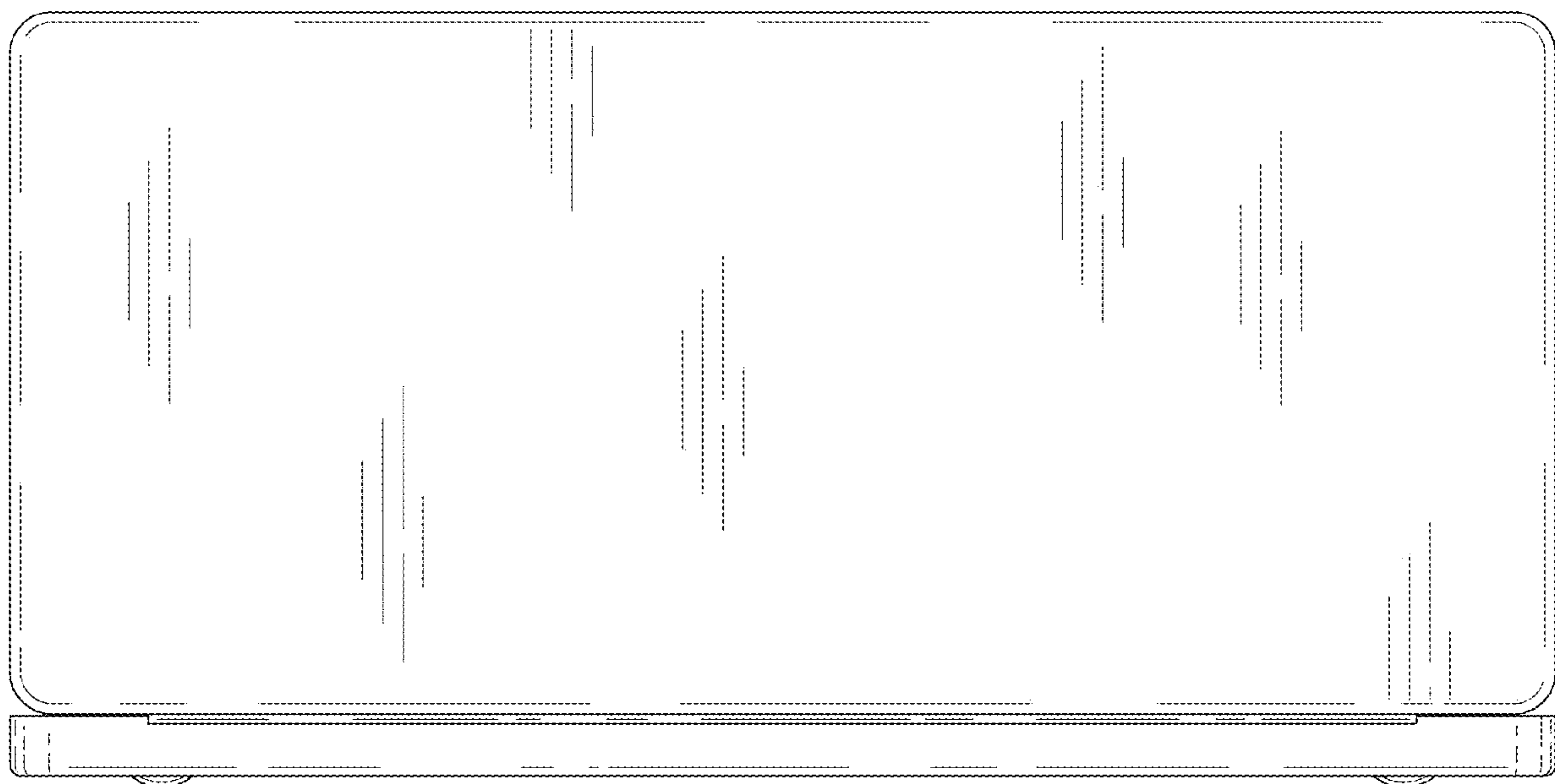
*Fig. 3*



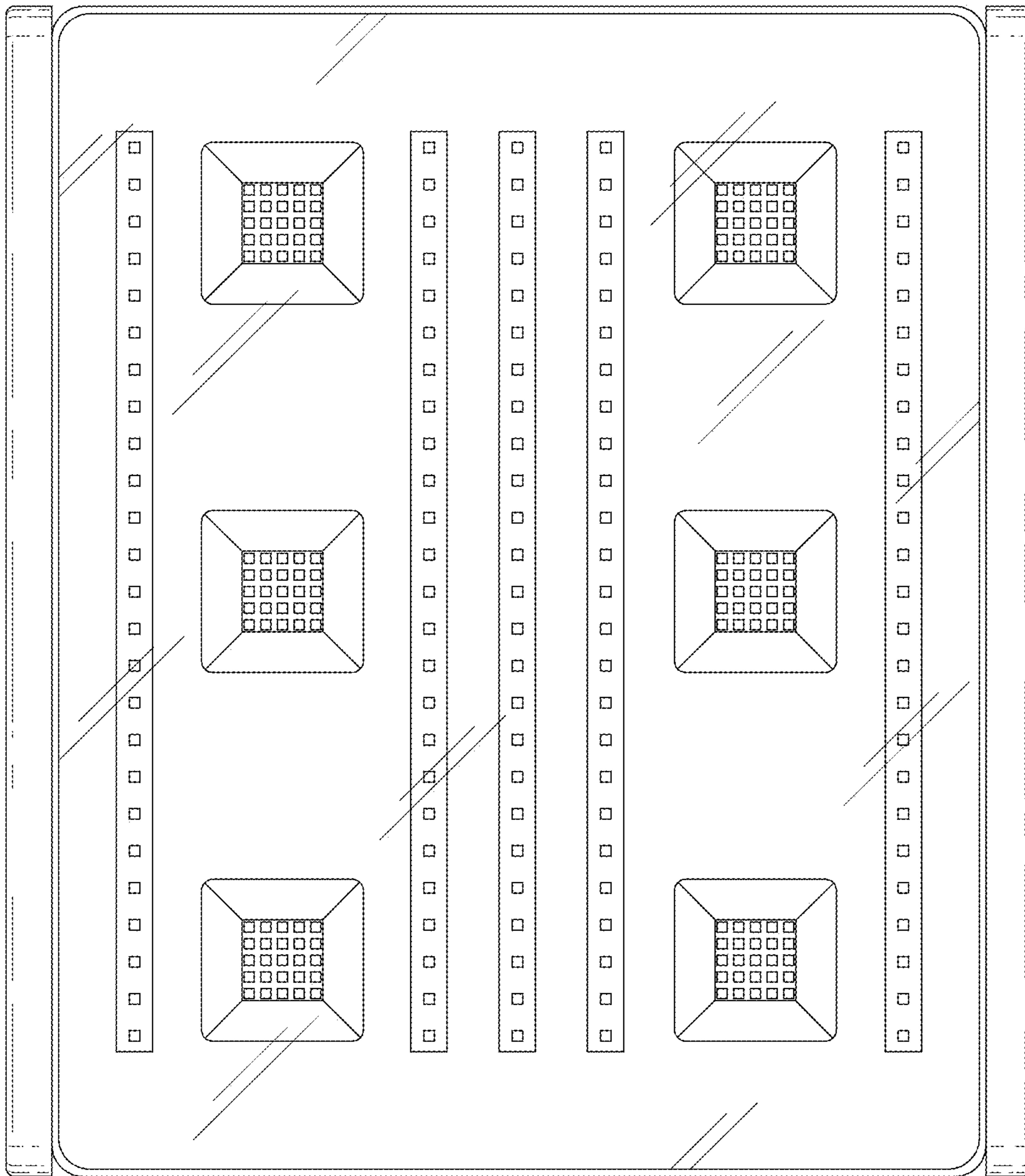
*Fig. 4*



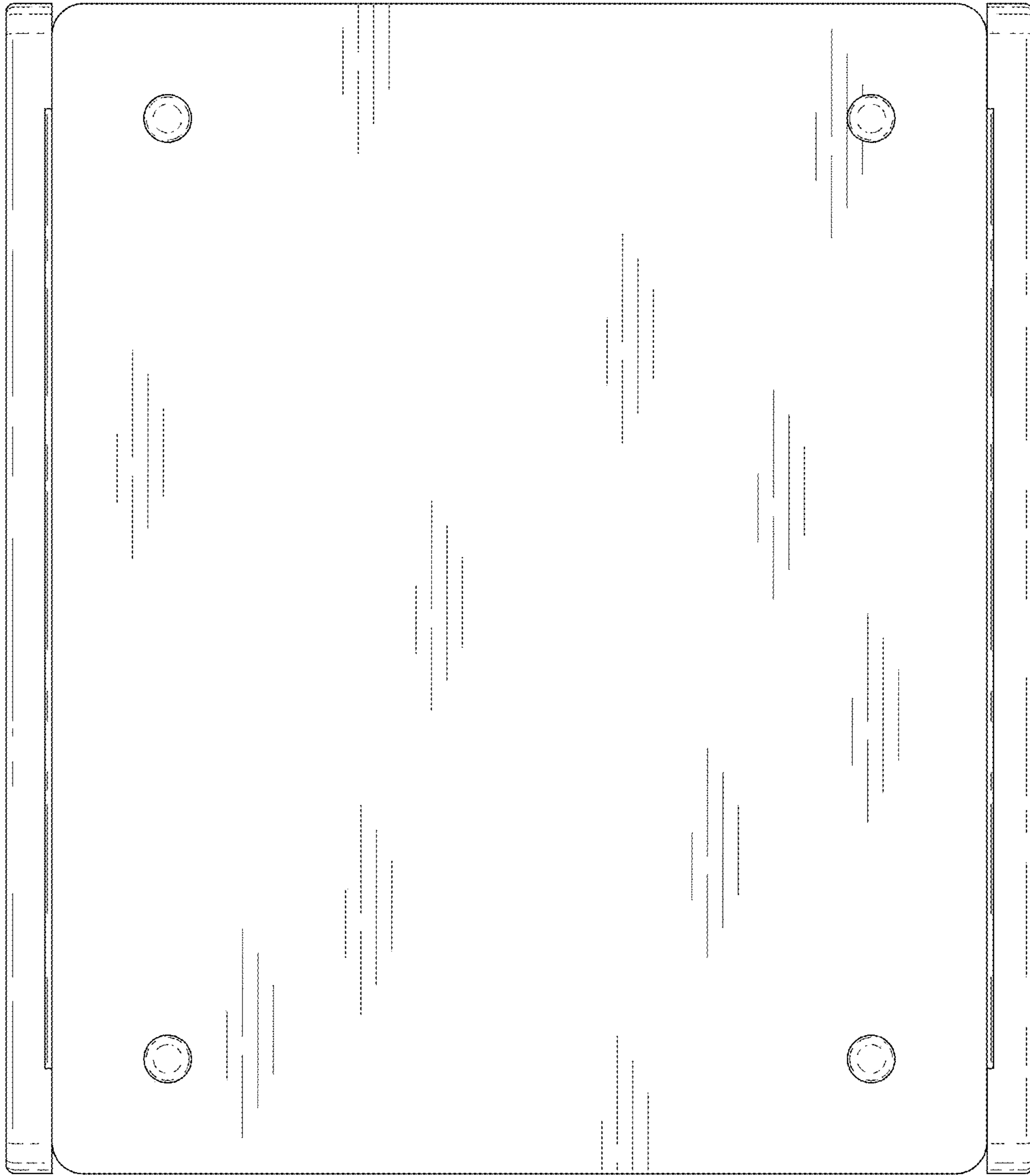
*Fig. 5*



*Fig. 6*



*Fig. 7*



*Fig. 8*

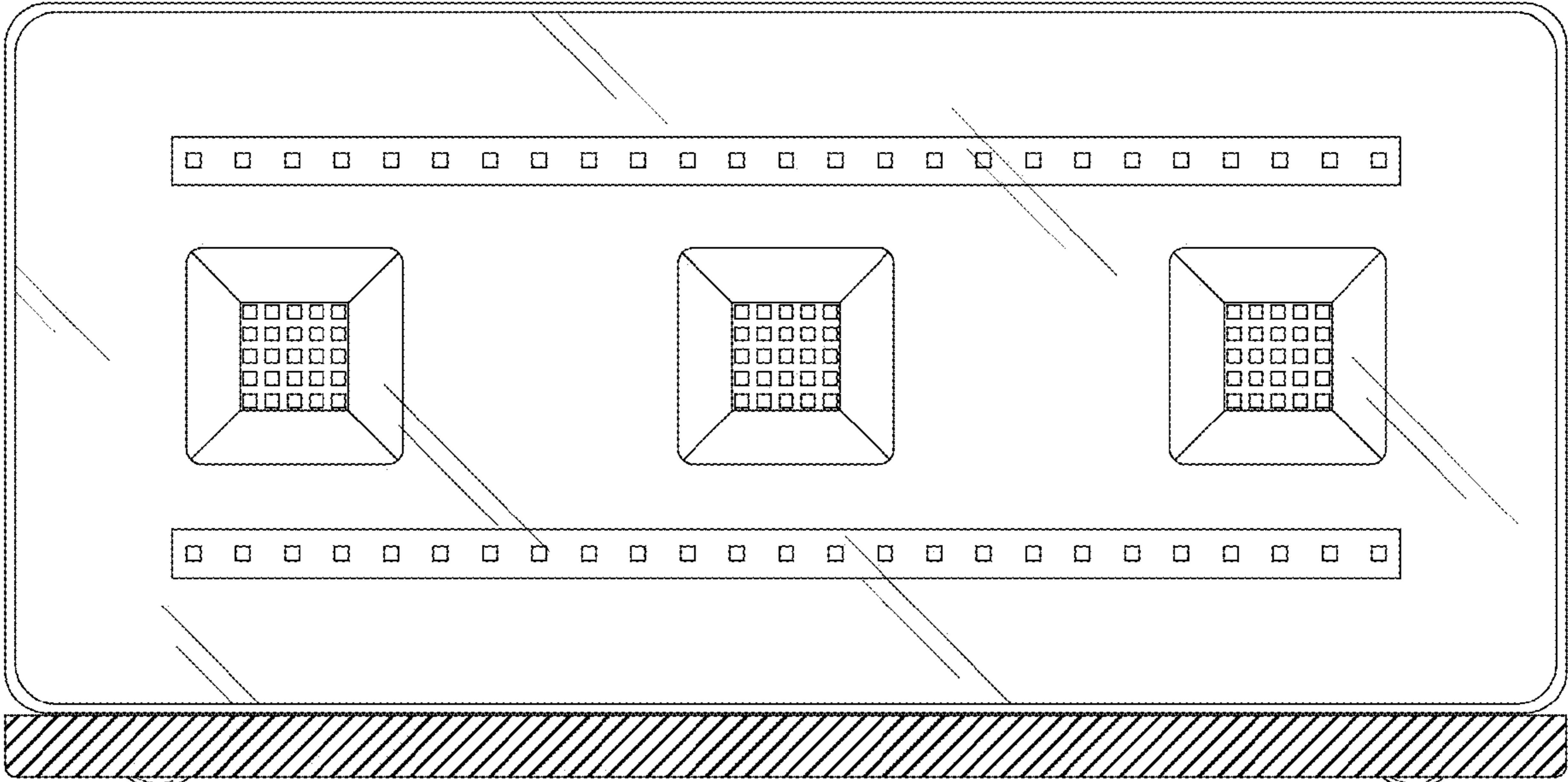


Fig. 9