



US00D898216S

(12) **United States Design Patent** (10) **Patent No.:** **US D898,216 S**
Nicolas et al. (45) **Date of Patent:** **** Oct. 6, 2020**

(54) **DEVICE FOR PERFORMING ELECTRICAL MEASUREMENTS**

(71) Applicant: **Mimetas B.V.**, CH Leiden (NL)
(72) Inventors: **Arnaud Nicolas**, Leiden (NL);
Frederik Schavemaker, Leiden (NL);
Sebastiaan Johannes Trietsch, Leiden (NL)

(**) Term: **15 Years**
(21) Appl. No.: **35/507,516**
(22) Filed: **May 15, 2019**

(80) **Hague Agreement Data**
Int. Filing Date: **May 15, 2019**
Int. Reg. No.: **DM/203358**
Int. Reg. Date: **May 15, 2019**
Int. Reg. Pub. Date: **Oct. 18, 2019**

(51) **LOC (12) Cl.** **24-02**
(52) **U.S. Cl.**
USPC **D24/216**
(58) **Field of Classification Search**
USPC D10/75, 78, 81; D24/107, 216, 223-234
CPC G01N 2201/022-0228
See application file for complete search history.

(56) **References Cited**
U.S. PATENT DOCUMENTS

D431,867 S * 10/2000 Maynard D24/216
D647,209 S * 10/2011 Muller D24/216
D669,182 S * 10/2012 Prado D24/158
D681,234 S * 4/2013 Benarieh D24/233
D695,406 S * 12/2013 Tsai D24/169
D724,214 S * 3/2015 Ihara D24/158

D732,185 S * 6/2015 Kuechle D24/216
D757,295 S * 5/2016 Benarieh D24/233
D775,364 S * 12/2016 Ray D24/220
D824,530 S * 7/2018 Velschow D24/216
D853,579 S * 7/2019 Newberg D24/216
D857,917 S * 8/2019 Mead D24/233
D872,603 S * 1/2020 Fushida D10/81
D875,963 S * 2/2020 Gruen D24/216
D883,510 S * 5/2020 Neuman D24/216

OTHER PUBLICATIONS

Mimetas, Mimetas OrganoTEER, Nov. 19, 2019 [retrieved Jul. 31, 2020], YouTube.com. Retrieved from the internet <URL: https://youtu.be/LgwVbmMk8kl> (Year: 2019).*
Mimetas, OrganoTEER, 2020 [retrieved Jul. 31, 2020], mimetas.com. Retrieved from the internet <URL: https://mimetas.com/page/organoteer%C2%AE> (Year: 2020).*

* cited by examiner

Primary Examiner — George D. Kirschbaum
Assistant Examiner — Joseph J Kukella

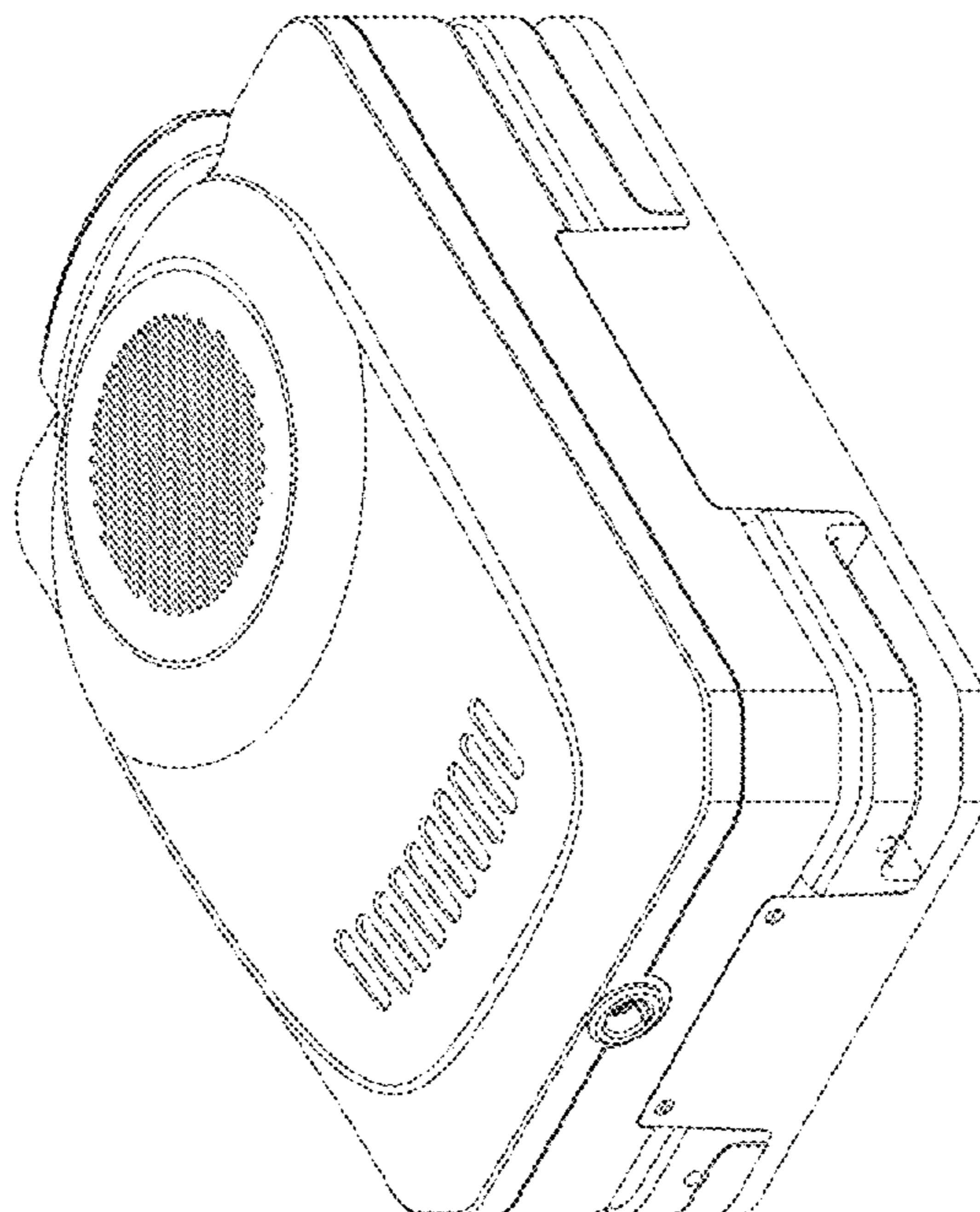
(57) **CLAIM**

The ornamental design for device for performing electrical measurements, as shown and described.

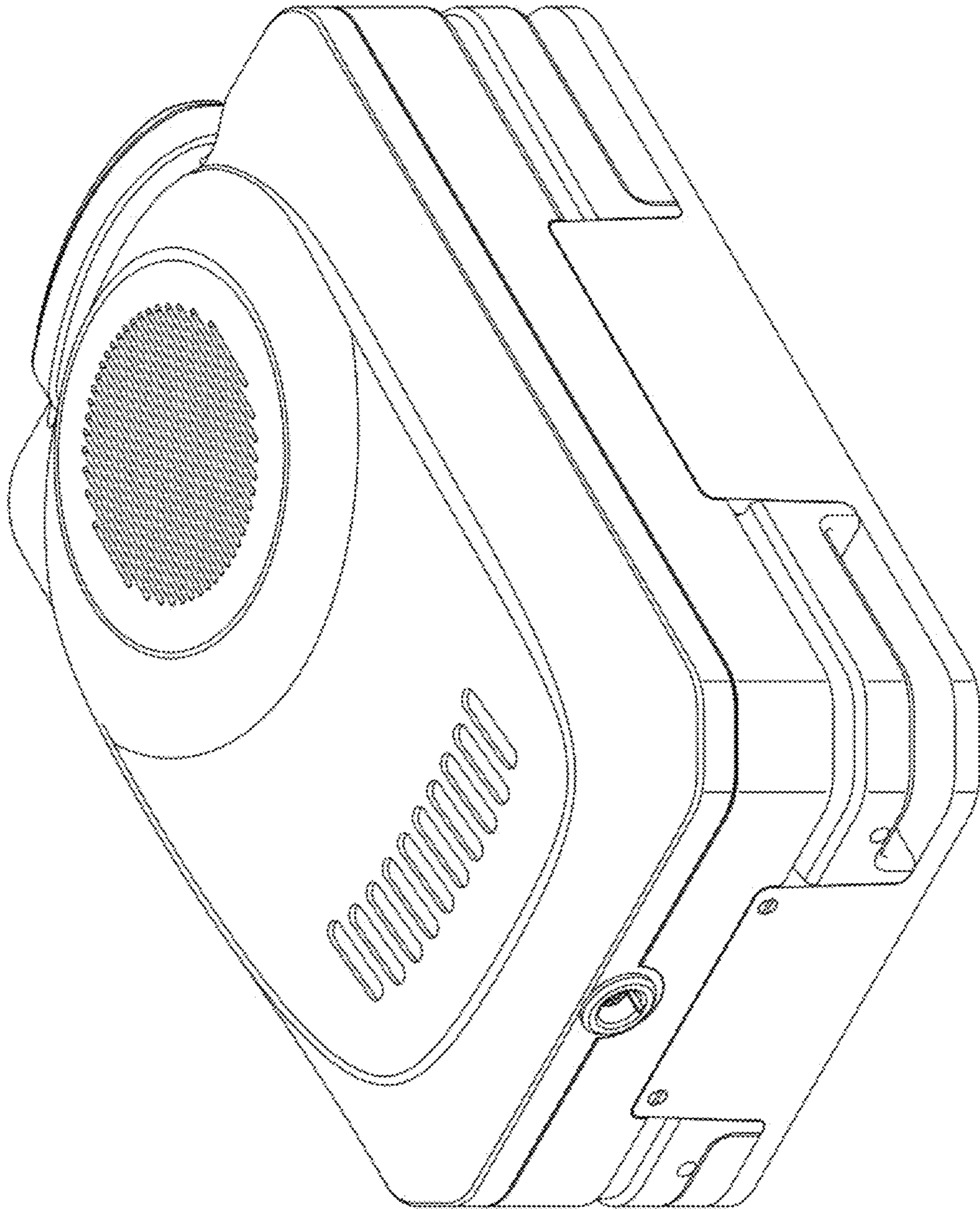
DESCRIPTION

- 1. Device for performing electrical measurements
- 1.1 : Perspective
- 1.2 : Top
- 1.3 : Bottom
- 1.4 : Rear
- 1.5 : Front
- 1.6 : Side
- 1.7 : Side

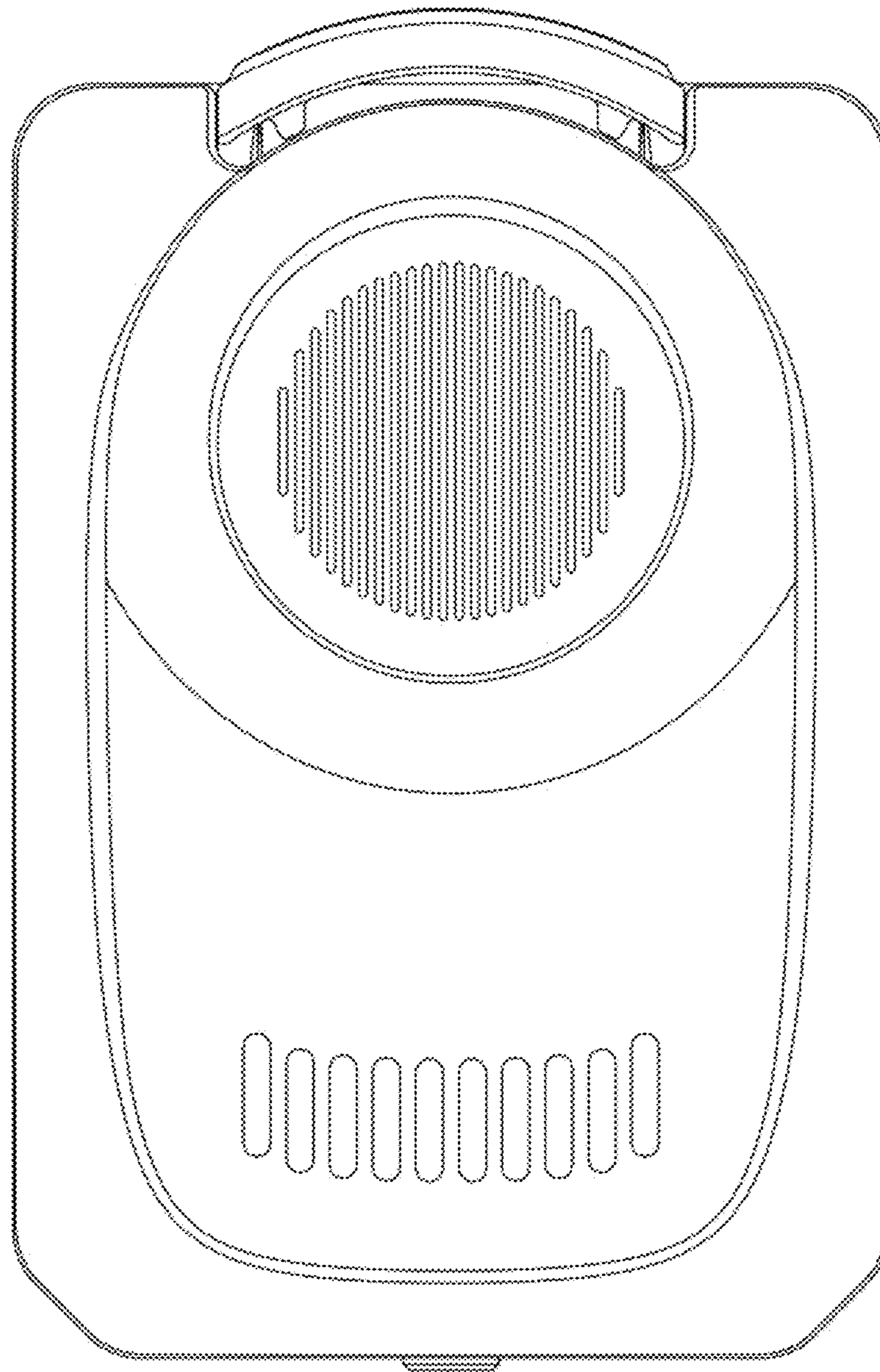
1 Claim, 7 Drawing Sheets



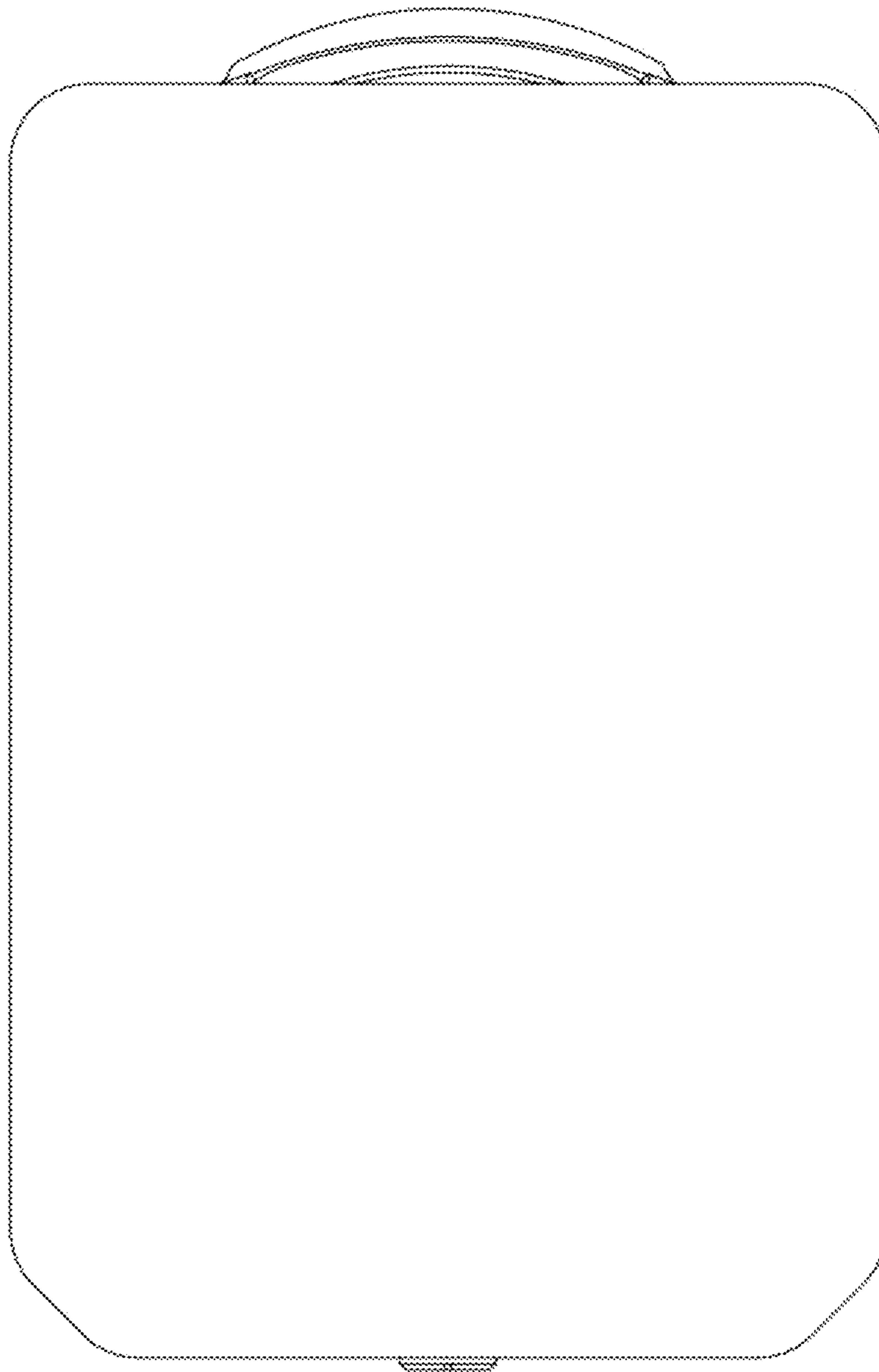
1.1



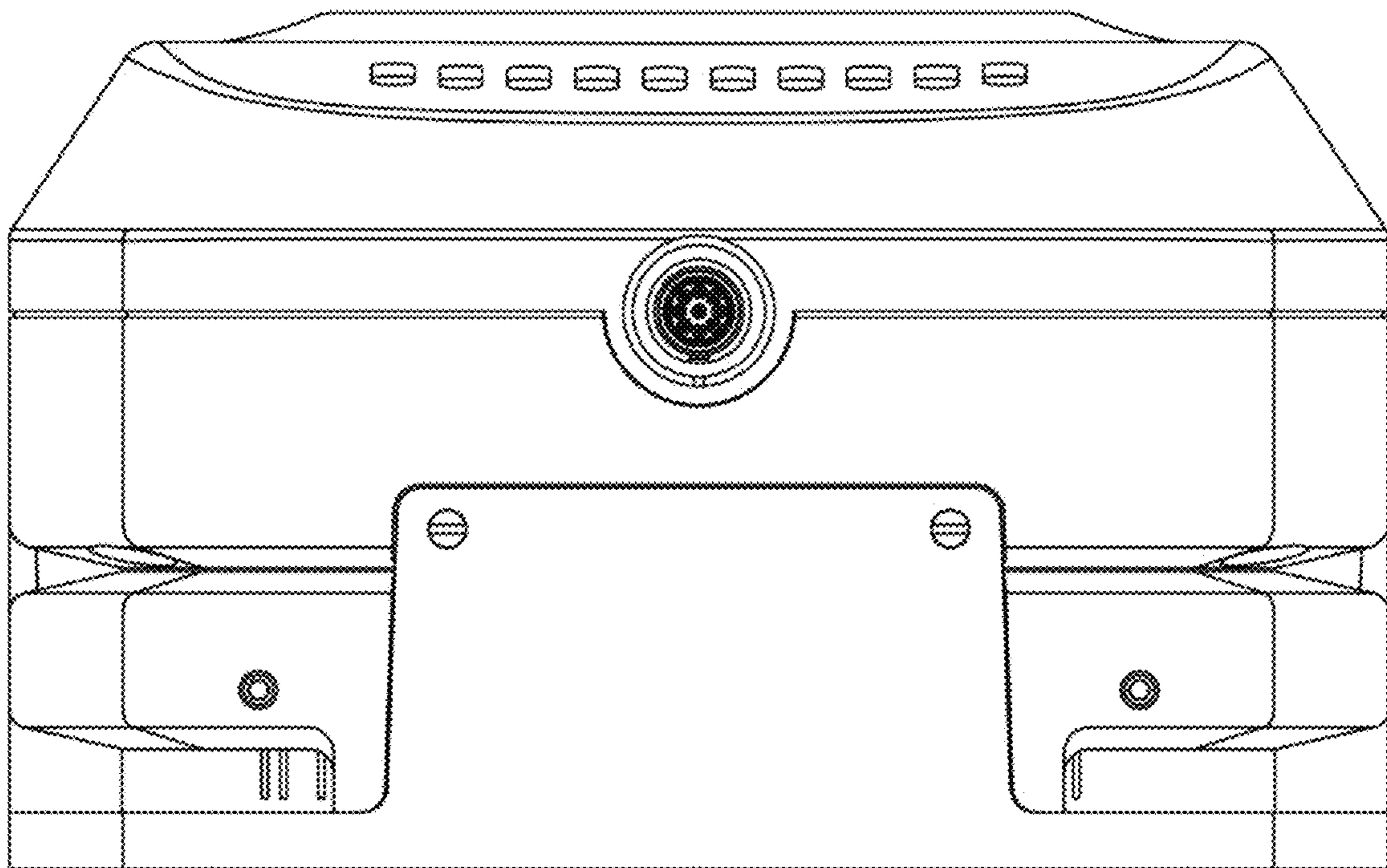
1.2



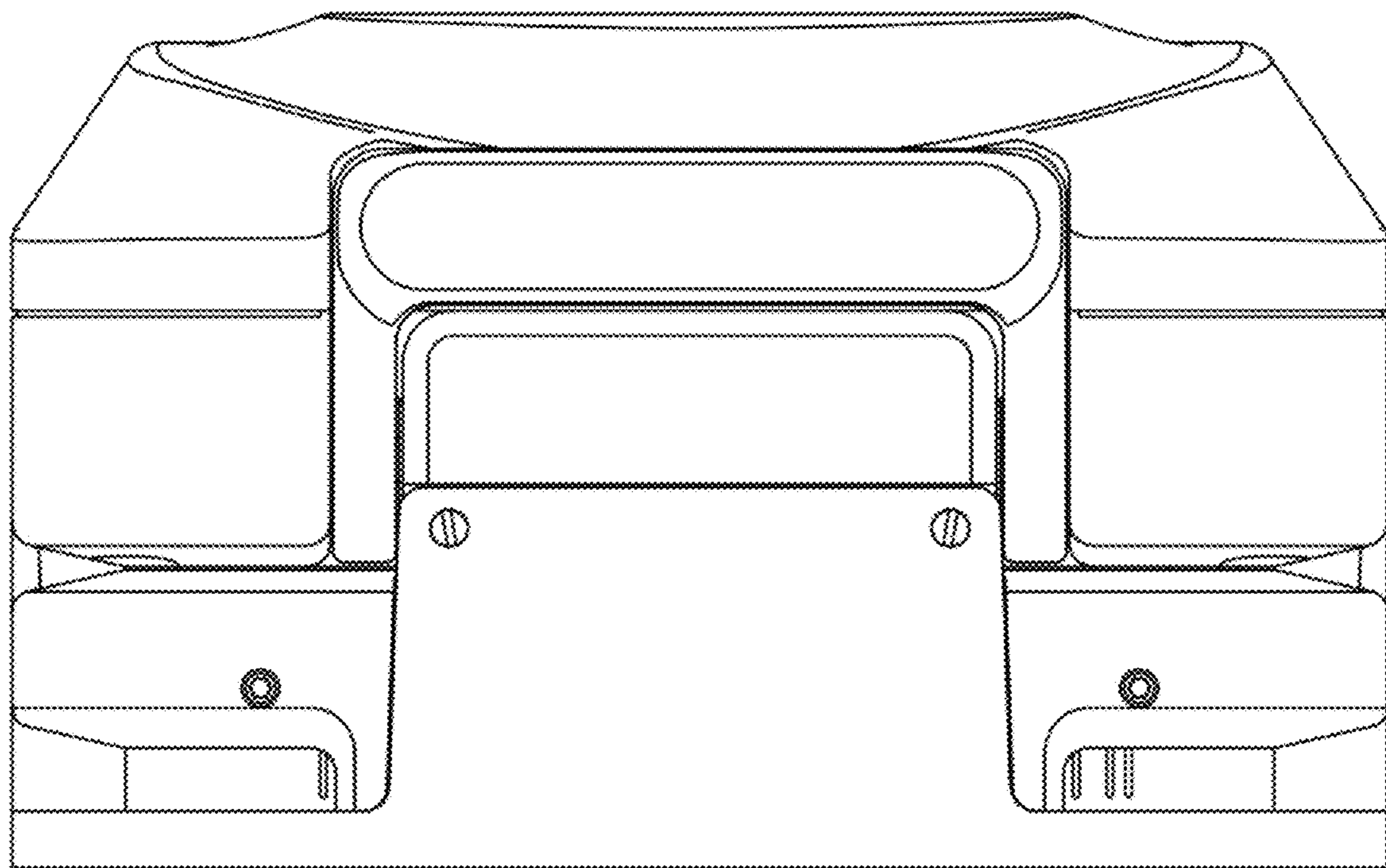
1.3



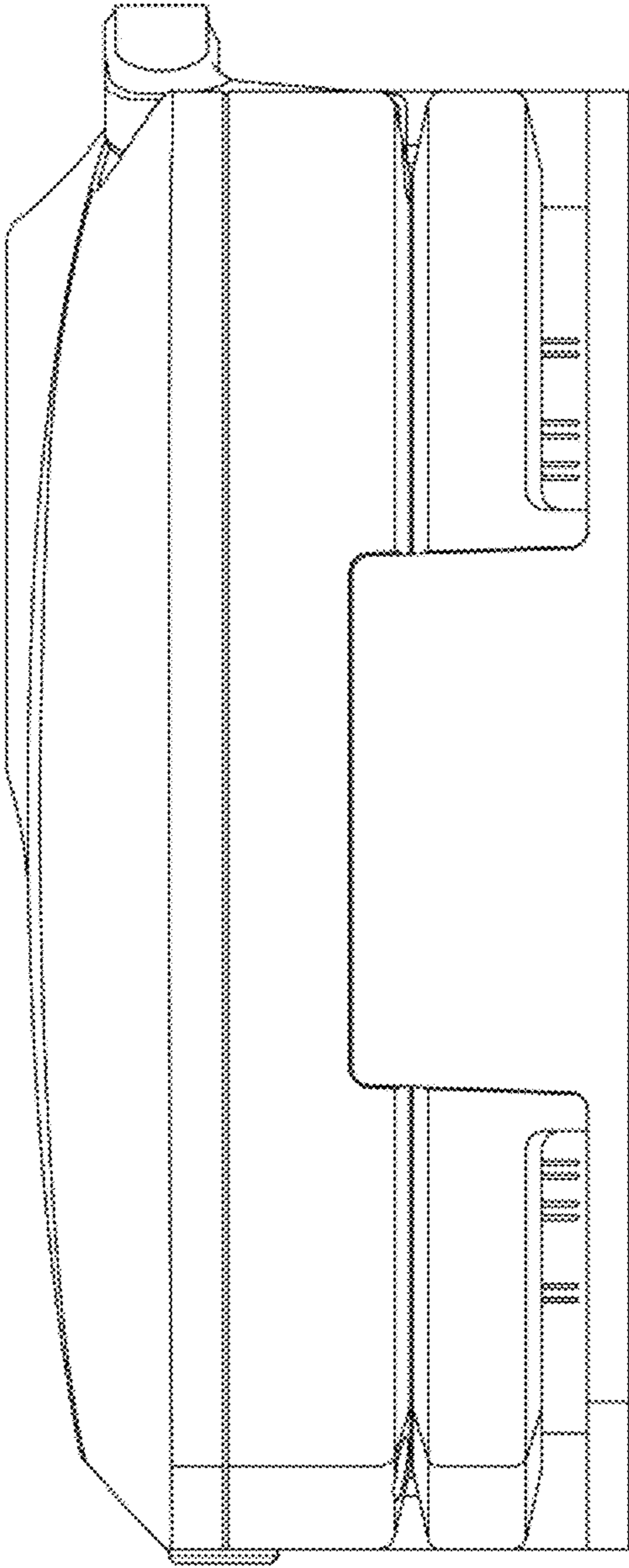
1.4



1.5



1.6



1.7

