



US00D898215S

(12) **United States Design Patent** (10) **Patent No.:** **US D898,215 S**
Endo et al. (45) **Date of Patent:** **** Oct. 6, 2020**

(54) **SPERM SAMPLER** 19/32; A61H 19/00; A61H 9/005; A61F 5/0096; A61F 5/41; D29C 45/2602
(71) Applicant: **TENGA Co., Ltd.**, Tokyo (JP) See application file for complete search history.

(72) Inventors: **Kai Endo**, Tokyo (JP); **Kengo Nakamura**, Tokyo (JP)

(56) **References Cited**

(73) Assignee: **TENGA CO., LTD.**, Minato-ku, Tokyo (JP)

U.S. PATENT DOCUMENTS

(**) Term: **15 Years**

D552,249	S	*	10/2007	Matsuura	D24/216
D559,395	S	*	1/2008	Matsuura	D24/216
D560,282	S	*	1/2008	Matsuura	D24/216
D560,813	S	*	1/2008	Matsuura	D24/216
D580,067	S	*	11/2008	Matsuura	D24/216
7,753,895	B2	*	7/2010	Matsuura	A61B 10/0045 128/842
7,993,315	B2	*	8/2011	Matsuura	A61B 10/0058 600/38
D660,451	S	*	5/2012	Matsuura	D24/216
D666,725	S	*	9/2012	McCormack	D24/133

(21) Appl. No.: **35/507,014**

(22) Filed: **Dec. 27, 2018**

(Continued)

(80) **Hague Agreement Data**

Int. Filing Date: **Dec. 27, 2018**
Int. Reg. No.: **DM/201721**
Int. Reg. Date: **Dec. 27, 2018**
Int. Reg. Pub. Date: **Jul. 5, 2019**

OTHER PUBLICATIONS

(30) **Foreign Application Priority Data**

Oct. 17, 2018 (JP) 2018-022823

Tenga Standard Air Cushion Cup https://www.amazon.com/TENGA-Single-Use-Prelubricated-Stimulation-Standard/product-reviews/B000V1OPYU/ref=cm_cr_getr_d_paging_btm_next_2?ie=UTF8&reviewerType=all_reviews&sortBy=recent&pageNumber=2 Feb. 25, 2011 (Year: 2011).*

(51) **LOC (12) Cl.** **28-03**

Primary Examiner — Samantha Q Lawrence

(52) **U.S. Cl.**
USPC **D24/215**

(74) *Attorney, Agent, or Firm* — Masuvalley & Partners

(58) **Field of Classification Search**
USPC D24/127, 130, 133, 146, 147, 215, 107, D24/108, 111, 121, 122, 123, 144, 216, D24/224, 193, 194, 195, 196, 197, 198, D24/199, 207; D9/435, 441, 447, 524, D9/716, 730, 733, 781, 434, 454, 500, D9/503, 504, 505, 516, 521, 529, 549, D9/558, 683, 686, 688-691, 715, 719, D9/960; D7/321, 589, 392, 510, 511, D7/517, 539, 619.2, 516, 530, 719, 761; D28/7, 76

(57) **CLAIM**

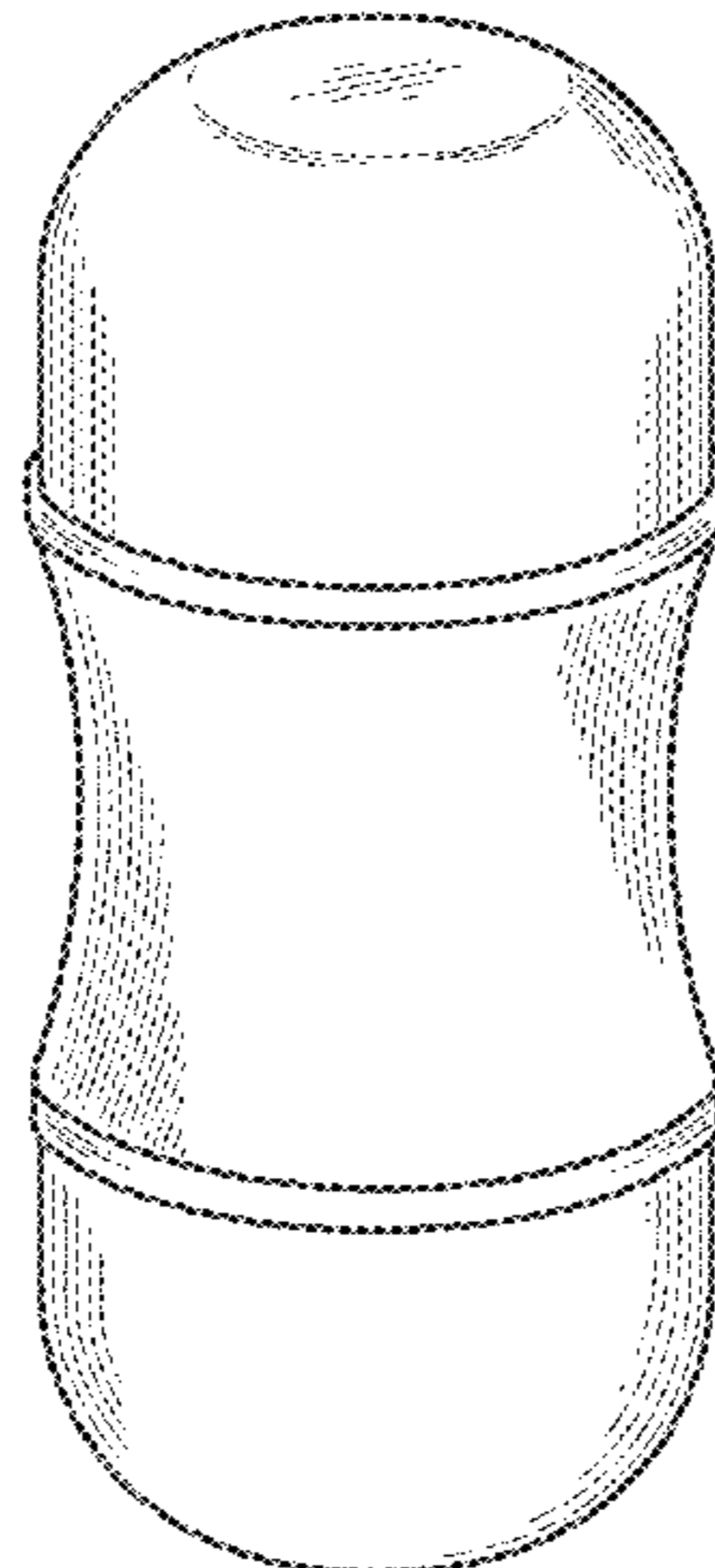
The ornamental design for a sperm sampler, as shown and described.

CPC A61B 10/0058; A61B 10/096; A61B 10/0045; C12Q 1/6827; C12Q 1/6883; C12Q 2600/156; C12Q 2600/158; G01N 15/06; G16H 10/40; G16H 50/30; A61H

DESCRIPTION

FIG. 1.1 is a front view of a sperm sampler;
FIG. 1.2 is a back view thereof;
FIG. 1.3 is a left view thereof;
FIG. 1.4 is a right view thereof;
FIG. 1.5 is a top view thereof;
FIG. 1.6 is a bottom view thereof; and
FIG. 1.7 is a perspective view thereof

(Continued)



The broken line areas as showing portions of the sperm sampler form no part of the claimed design.

1 Claim, 7 Drawing Sheets

(56)

References Cited

U.S. PATENT DOCUMENTS

D672,508 S *	12/2012	Szymanski	D24/133
D688,795 S *	8/2013	Matsuura	D24/121
D695,414 S *	12/2013	Matsuura	D24/215
D782,036 S *	3/2017	Cai	D24/121
D823,462 S *	7/2018	Okamura	D24/121
D837,996 S *	1/2019	Sugimoto	D24/215
D862,694 S *	10/2019	Narvekar	D24/130
10,485,693 B2 *	11/2019	Matsuura	A61B 10/0058
2008/0004577 A1 *	1/2008	Matsuura	A61B 10/0058 604/317

* cited by examiner

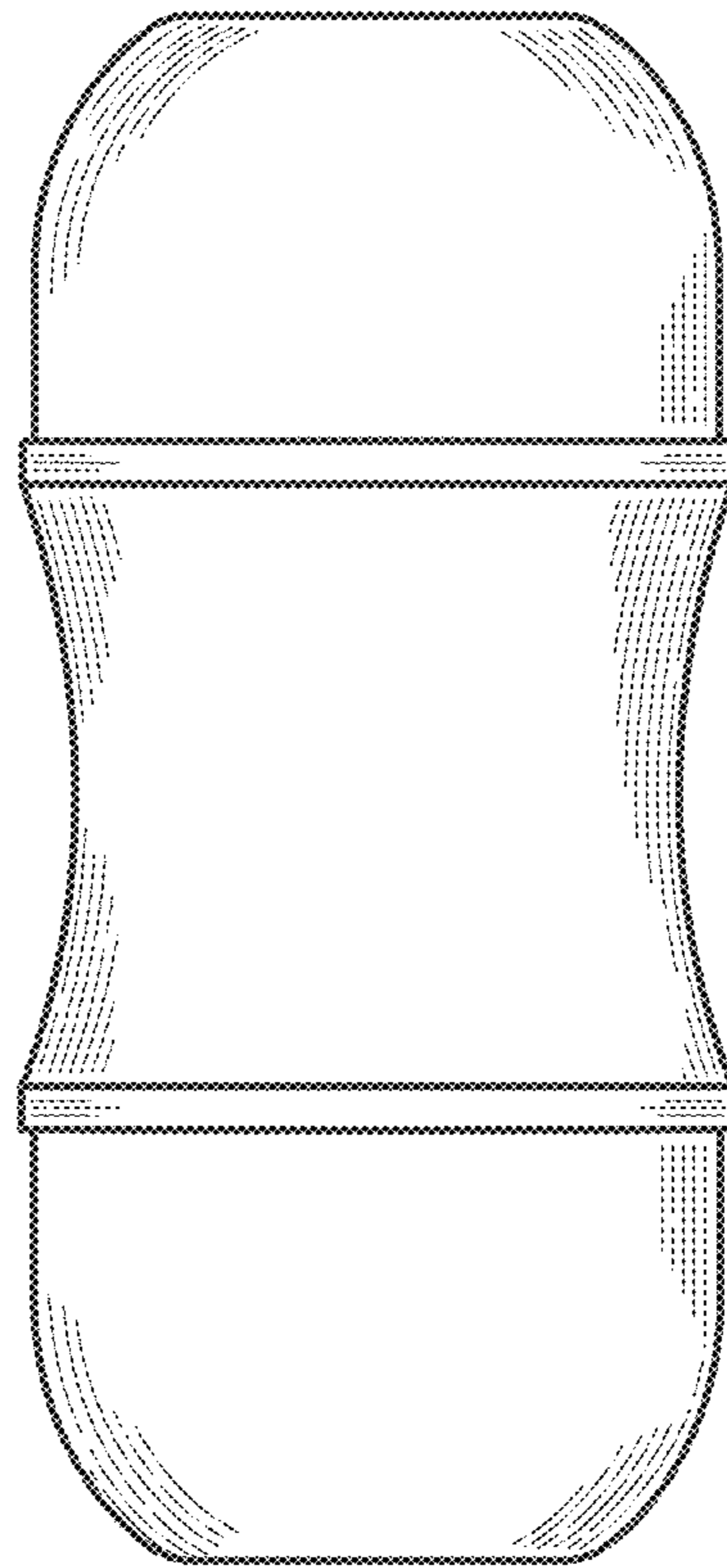


FIG.1.1

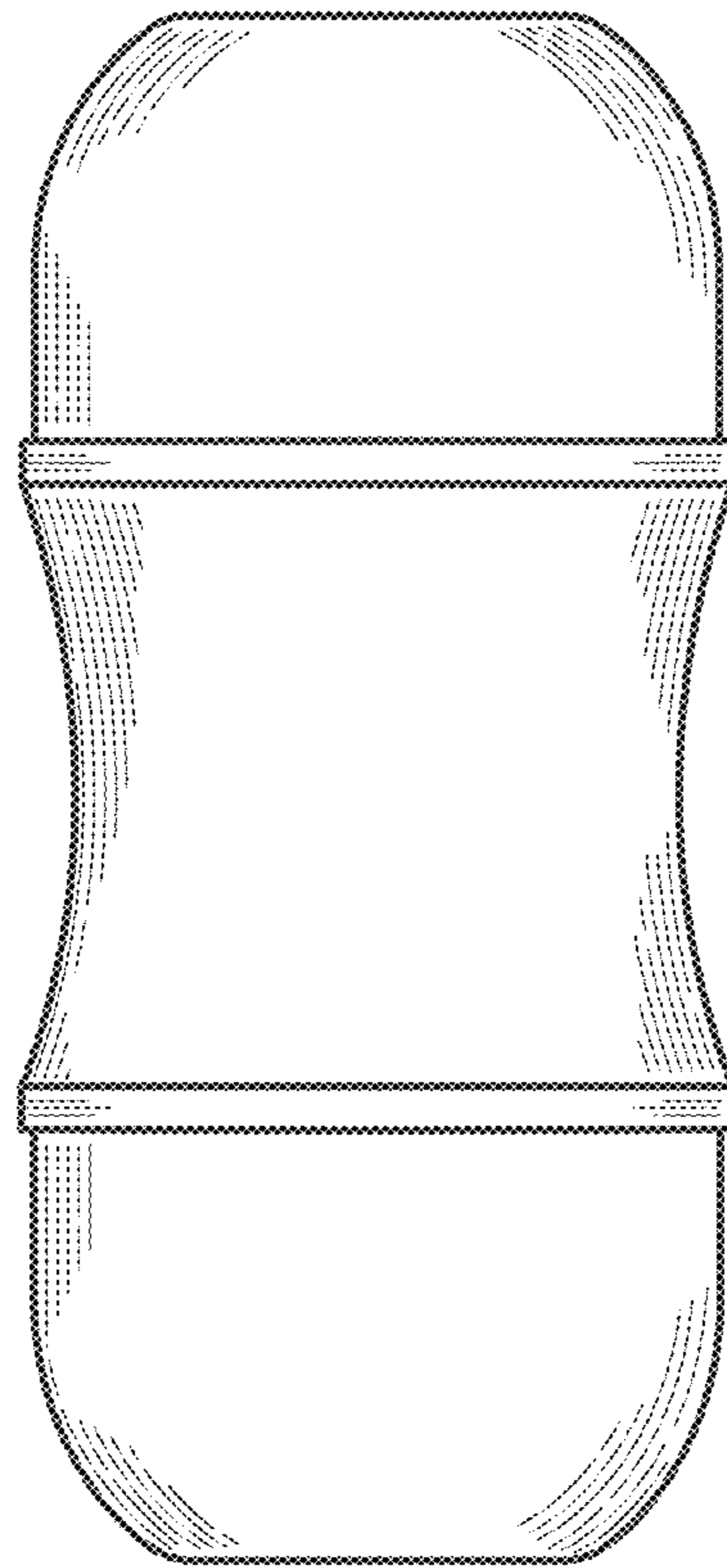


FIG. 1.2

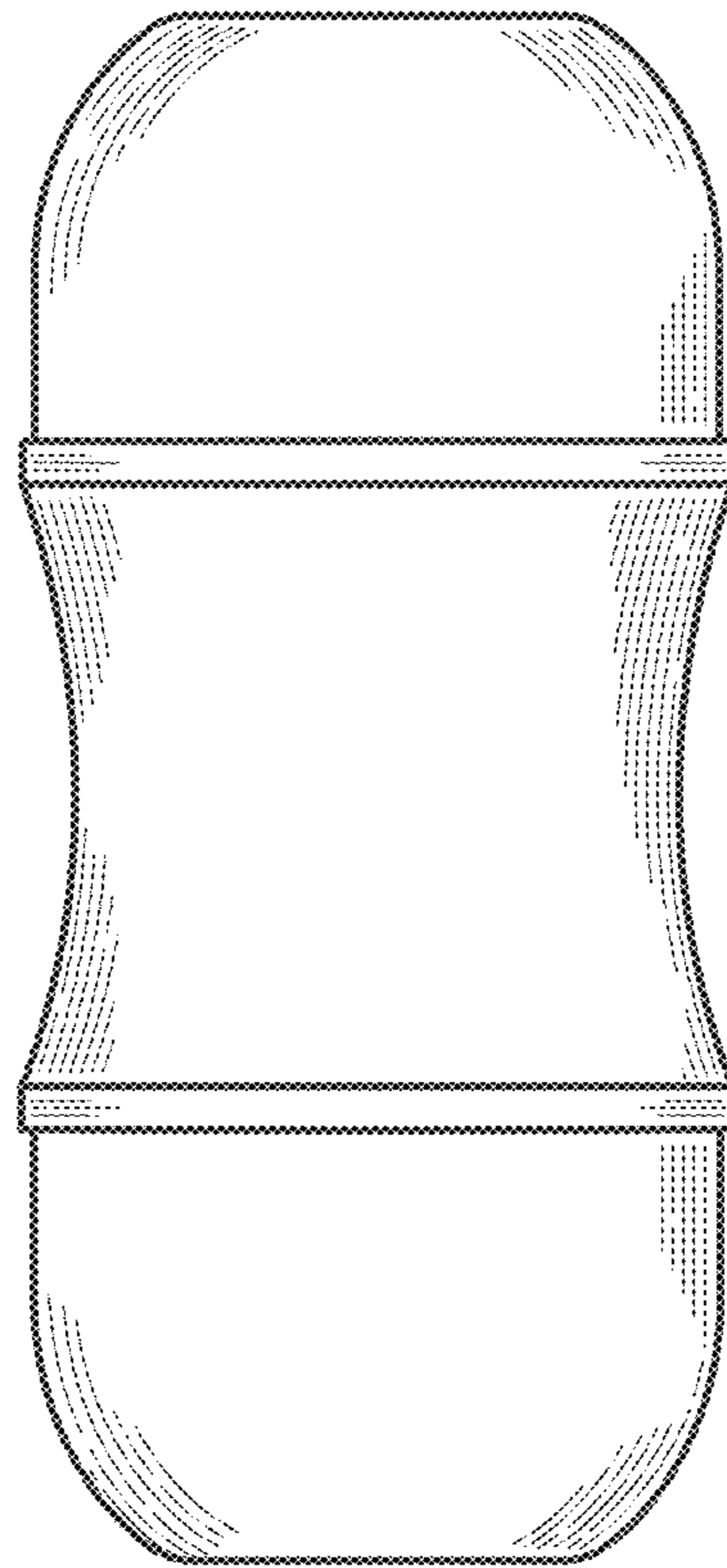


FIG. 1.3

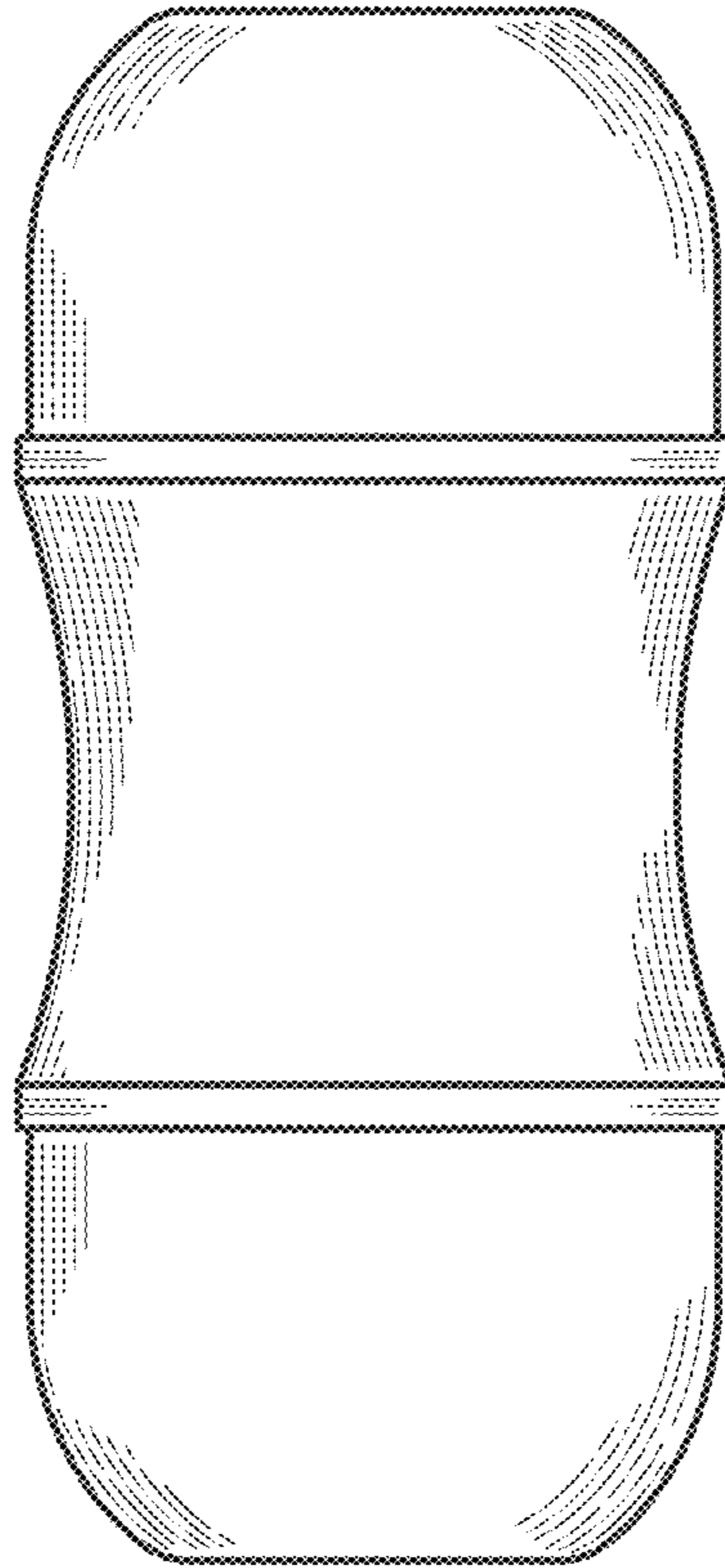


FIG. 1.4

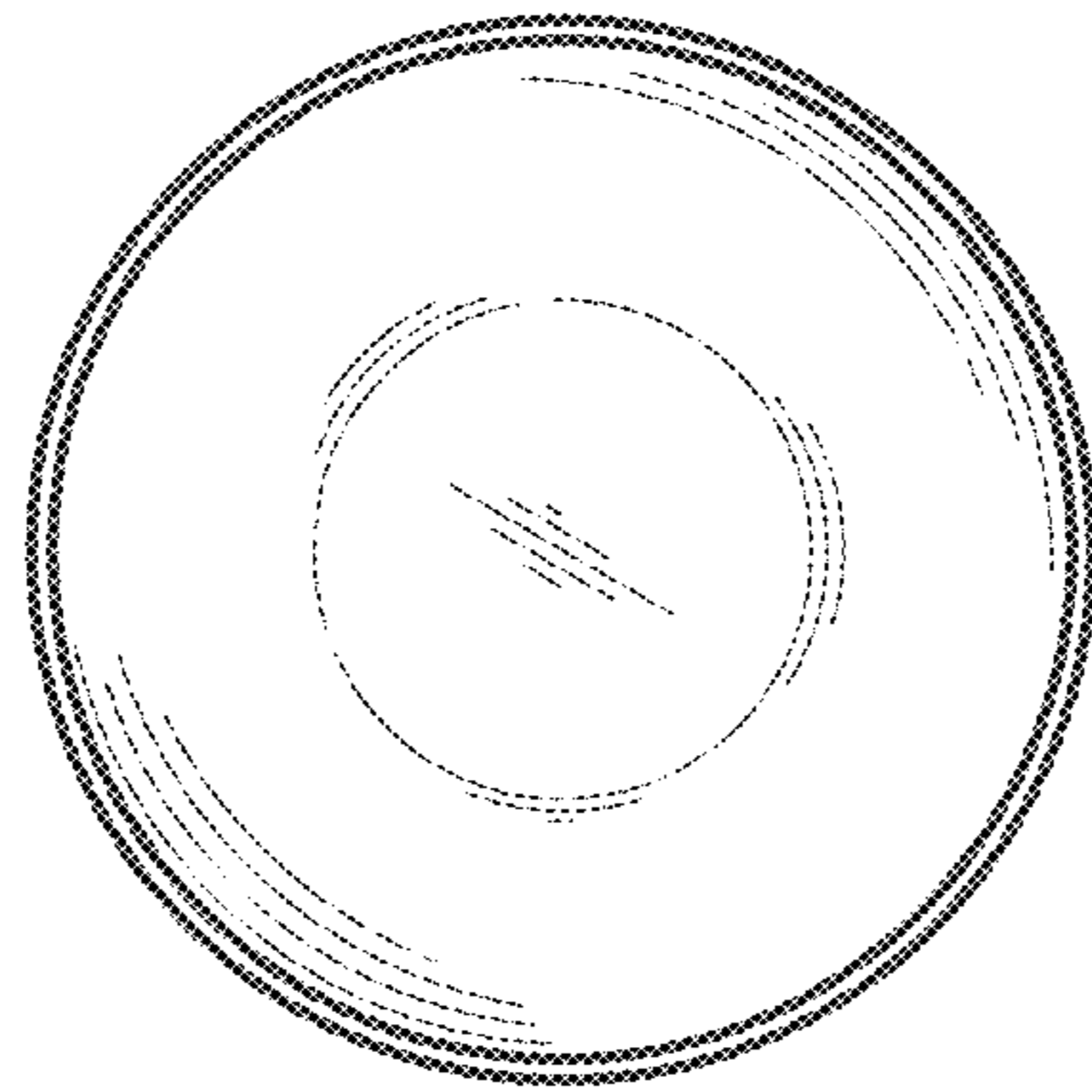


FIG.1.5

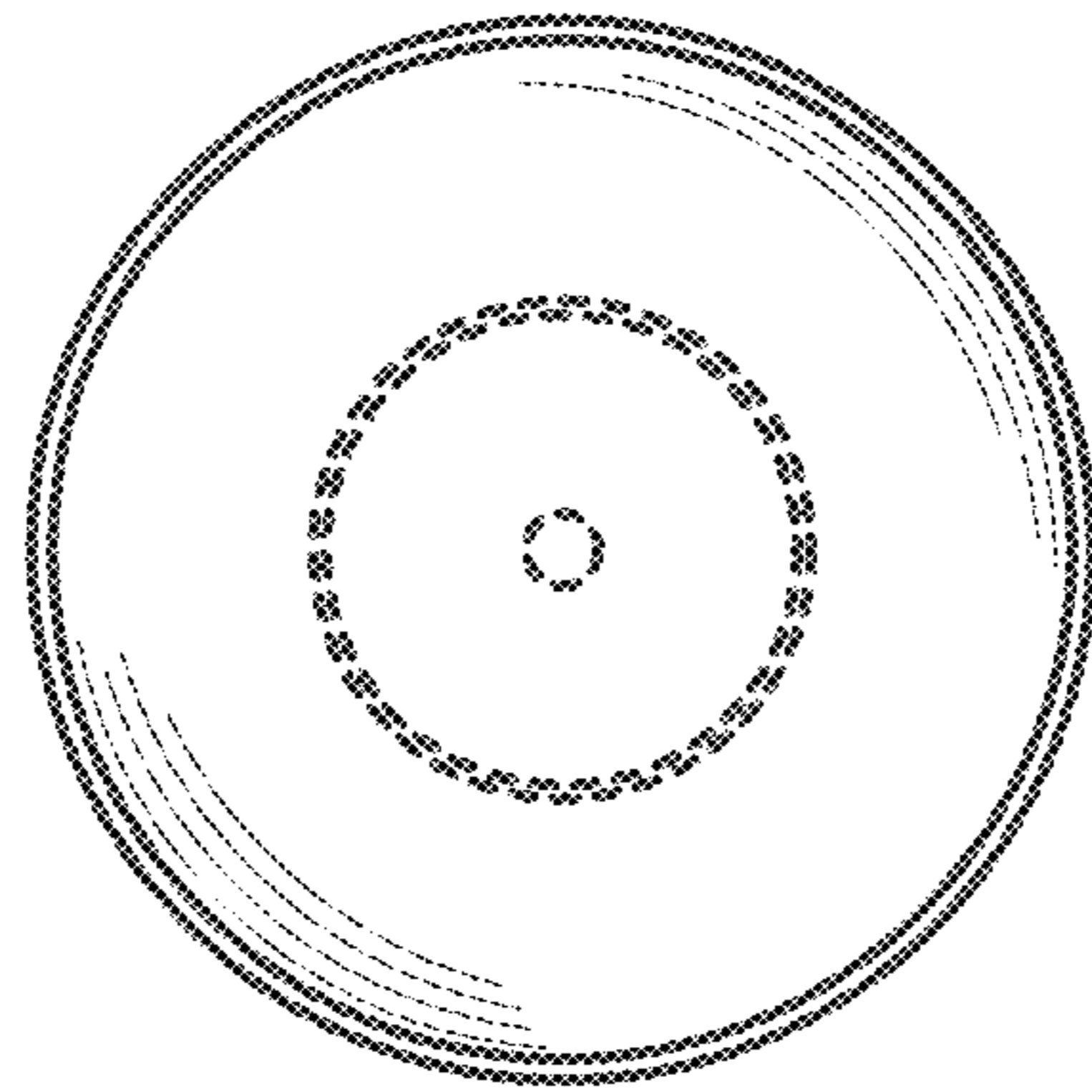


FIG. 1.6

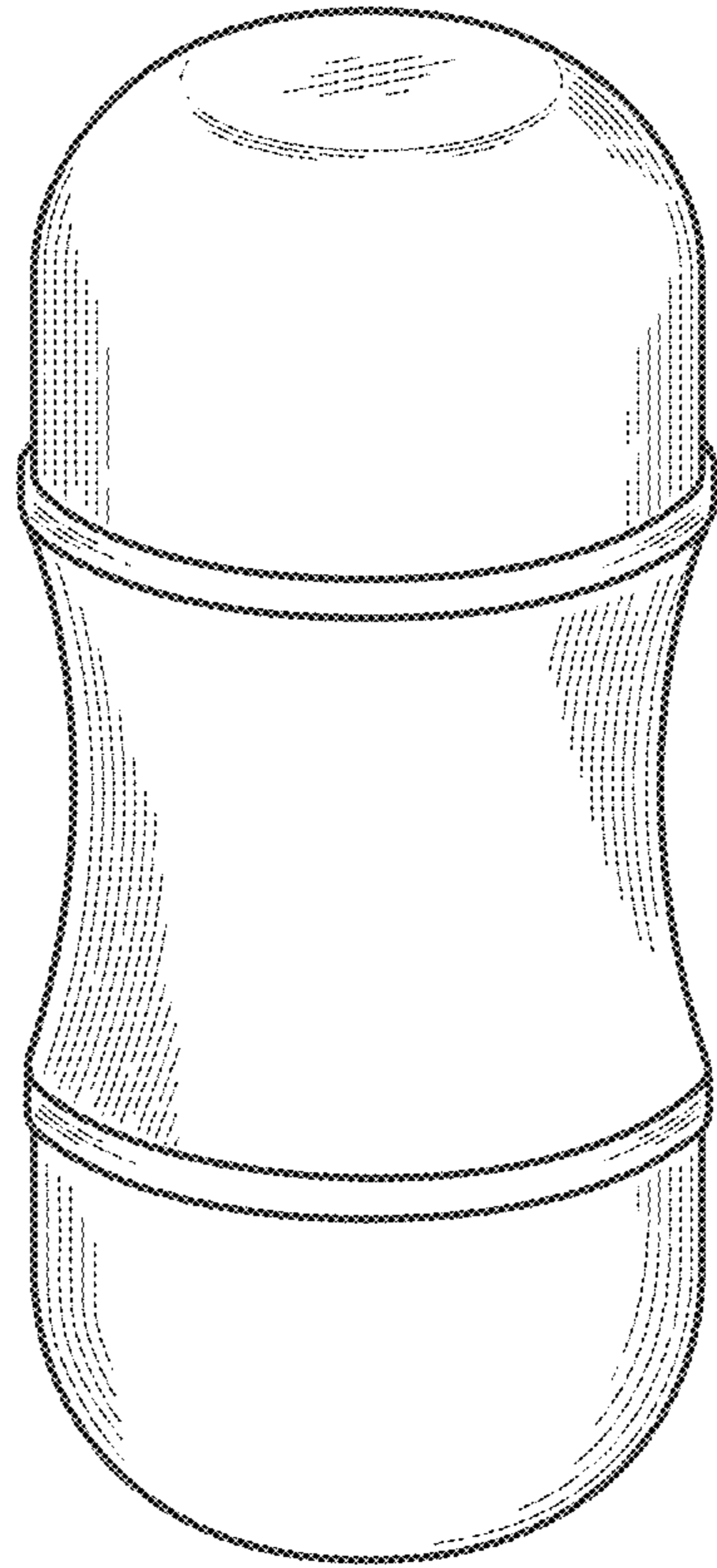


FIG.1.7