



US00D898212S

(12) **United States Design Patent** (10) **Patent No.:** **US D898,212 S**
Sedic (45) **Date of Patent:** **** Oct. 6, 2020**

(54) **SKIN MASSAGER**
(71) Applicant: **Filip Sedic**, Stockholm (SE)
(72) Inventor: **Filip Sedic**, Stockholm (SE)
(**) Term: **15 Years**

D423,109 S 4/2000 Allende
6,202,242 B1 3/2001 Salmon et al.
6,226,811 B1 5/2001 Fagan
6,267,736 B1 7/2001 McCambridge et al.
6,283,930 B1 9/2001 Purvis et al.
(Continued)

(21) Appl. No.: **29/728,206**
(22) Filed: **Mar. 17, 2020**

FOREIGN PATENT DOCUMENTS

EP 1484043 12/2004
EP 1525872 4/2005
(Continued)

Related U.S. Application Data

(62) Division of application No. 29/678,070, filed on Jan. 25, 2019, now Pat. No. Des. 882,810.
(51) **LOC (12) Cl.** **28-03**
(52) **U.S. Cl.**
USPC **D24/215**
(58) **Field of Classification Search**
USPC D24/200, 211, 212, 213, 214, 215;
D28/63; D30/160; D4/102
CPC A47K 7/02; A47K 7/08; A46B 13/008;
A46B 2200/102; A61H 23/004; A61H
7/002; A61H 7/003
See application file for complete search history.

OTHER PUBLICATIONS

Amazon, "FOREA LUNA Mini 3", Jun. 1, 2020. https://www.amazon.com/FOREO-Smart-Electric-Cleanser-Types/dp/B082963N7R/ref=cm_cr_ar_p_d_product_top?ie=UTF8. Shown on p. 1. (Year: 2020).*

(Continued)

Primary Examiner — Cynthia Ramirez
Assistant Examiner — Michael A Maharajh
(74) *Attorney, Agent, or Firm* — Evan Feldstein

(57) **CLAIM**

I claim the ornamental design for a skin massager, as shown and described.

(56) **References Cited**

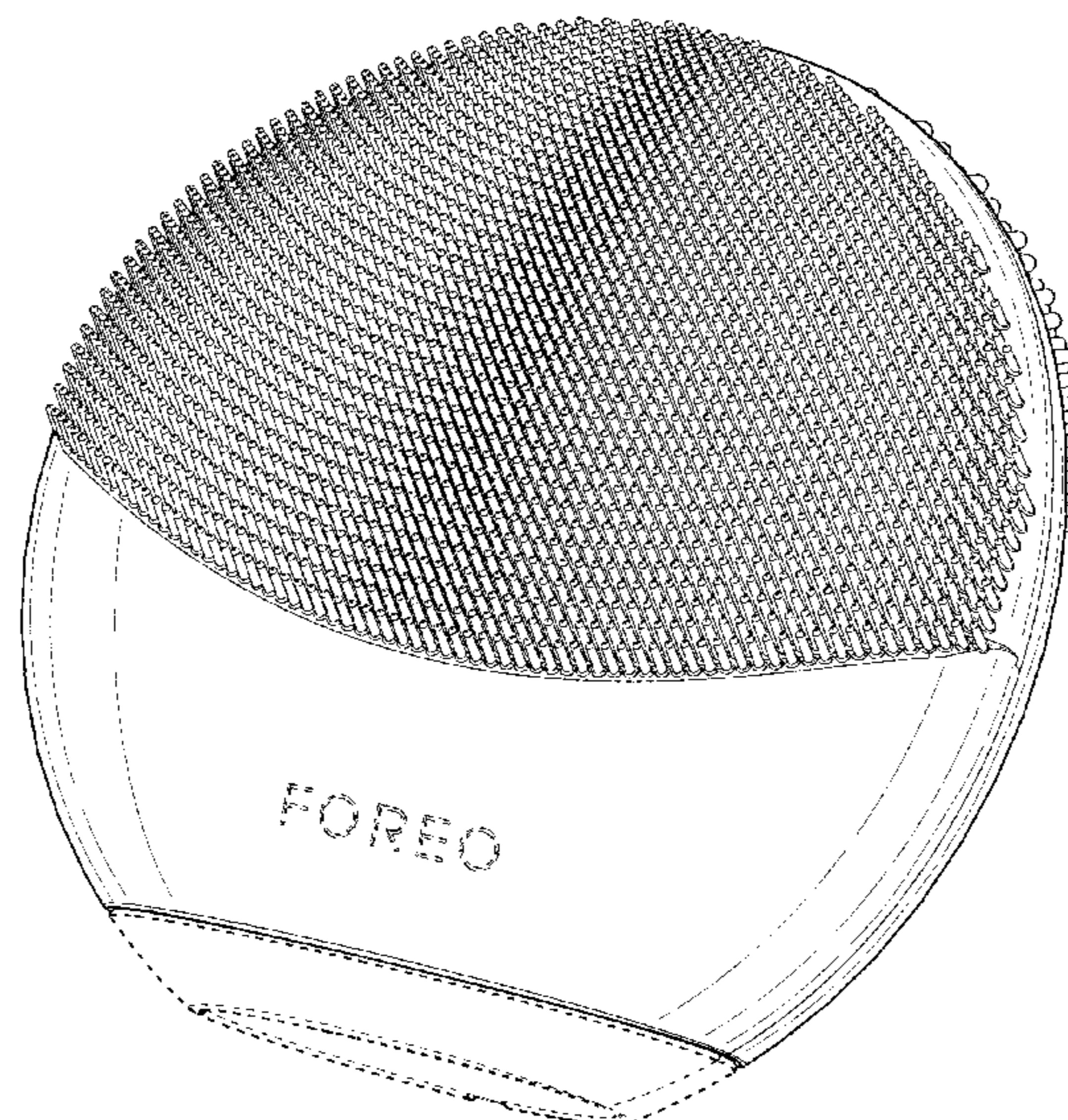
U.S. PATENT DOCUMENTS

1,491,016 A 4/1924 McGowan et al.
2,480,023 A 8/1949 Holden
2,764,773 A 10/1956 Glanvill et al.
3,906,940 A 9/1975 Kawada
3,968,789 A 7/1976 Simoncini
4,564,032 A 1/1986 Araki
4,570,616 A 2/1986 Kunz et al.
D331,466 S 12/1992 Doria
5,176,130 A 1/1993 Kim
D351,474 S 10/1994 Huang
D369,220 S 4/1996 Huang
5,511,270 A 4/1996 Eliachar et al.
D382,645 S 8/1997 Bergeron
5,792,080 A 8/1998 Ookawa et al.

DESCRIPTION

FIG. 1 is a perspective view of a skin massager.
FIG. 2 is a front view of the skin massager.
FIG. 3 is a rear view of the skin massager.
FIG. 4 is a left side view of the skin massager.
FIG. 5 is a right side view of the skin massager.
FIG. 6 is a top view of the skin massager; and,
FIG. 7 is a bottom view of the skin massager.
The broken lines shown in the figures are for the purposes of illustrating portions of the skin massager, which form no part of the claimed design.

1 Claim, 7 Drawing Sheets



(56)

References Cited

U.S. PATENT DOCUMENTS

6,393,718 B1 5/2002 Harris et al.
 6,432,072 B1 8/2002 Harris et al.
 D466,217 S 11/2002 Harris et al.
 D466,695 S 12/2002 Chen
 D469,183 S 1/2003 Gerth et al.
 D476,087 S 6/2003 Dirks et al.
 6,588,964 B1 7/2003 Au et al.
 D478,174 S 8/2003 Huang
 D487,592 S 3/2004 Chang
 D512,225 S 12/2005 Chien
 D514,328 S 2/2006 Huang
 D517,218 S 3/2006 Kalen
 D523,561 S 6/2006 Telford
 D539,917 S 4/2007 Park
 D548,851 S 8/2007 Huang
 D549,351 S 8/2007 Wu
 7,303,534 B2 12/2007 Kahn
 7,320,691 B2 1/2008 Pilcher et al.
 D569,106 S 5/2008 Maruyama
 D571,926 S 6/2008 Wu
 7,384,377 B2 6/2008 Berman
 D574,108 S 7/2008 Yando et al.
 D576,736 S 9/2008 Hagege
 D595,898 S 7/2009 Syran et al.
 D616,103 S 5/2010 Ford-Robertson
 D622,405 S 8/2010 Tuli
 D626,656 S 11/2010 Jarry
 D629,528 S 12/2010 Adkisson
 D635,720 S 4/2011 Cammarano
 D645,569 S 9/2011 Nitsch
 D646,795 S 10/2011 Seehoff et al.
 D671,281 S 11/2012 Singer
 D674,108 S 1/2013 York
 8,523,791 B2 9/2013 Castel
 D698,455 S 1/2014 Sedic
 8,679,039 B2 3/2014 Tieu et al.
 8,745,807 B2 6/2014 Varner et al.
 D715,935 S 10/2014 Huntington et al.
 D716,961 S 11/2014 Sedic
 D721,850 S * 1/2015 Pottinger D28/63
 D734,481 S 7/2015 Sedic
 D767,226 S * 9/2016 Albers D28/63
 D769,455 S 10/2016 Sedic
 D773,064 S 11/2016 Sedic
 D819,338 S * 6/2018 Xiong D4/102
 D822,387 S * 7/2018 Tai D4/100
 D825,124 S * 8/2018 Celia, Jr. D32/35
 D837,994 S * 1/2019 Sedic D24/214
 D838,045 S * 1/2019 Miller D28/63
 D845,630 S * 4/2019 Sedic D4/100
 D852,972 S * 7/2019 Sedic D24/214
 D857,221 S * 8/2019 Sedic D24/215
 D857,299 S * 8/2019 Tammabattula D28/63
 D862,891 S * 10/2019 Sedic D4/100
 D864,860 S * 10/2019 Zhan D13/108
 D866,074 S * 11/2019 Tammabattula D28/63
 D866,075 S * 11/2019 Tammabattula D28/63
 D872,372 S * 1/2020 Tammabattula D28/63
 D872,939 S * 1/2020 Tammabattula D28/63
 D872,940 S * 1/2020 Tammabattula D28/63
 D880,869 S * 4/2020 Li D4/100
 D882,104 S * 4/2020 Sedic D24/215
 D882,176 S * 4/2020 Huang D28/63
 D882,810 S * 4/2020 Sedic D24/215
 D883,575 S * 5/2020 Liu D28/63
 D885,063 S * 5/2020 Xiong D4/116
 2002/0107459 A1 8/2002 Chang
 2004/0060571 A1 11/2004 Mayeri
 2004/0225239 A1 11/2004 Yamamoto et al.
 2005/0059914 A1 5/2005 Kleinhenz et al.
 2005/0113725 A1 6/2005 Masuda
 2005/0142093 A1 6/2005 Skover et al.
 2006/0010630 A1 3/2006 Tse
 2006/0058714 A1 8/2006 Rhoades
 2006/0168746 A1 12/2006 Guyuron et al.

2006/0276731 A1 12/2006 Thiebaut et al.
 2007/0017540 A1 1/2007 Davis et al.
 2007/0142845 A1 6/2007 Akridge et al.
 2007/0179412 A1 8/2007 Imboden et al.
 2007/0198031 A1 8/2007 Kellogg
 2007/0232967 A1 10/2007 Driscoll
 2008/0110471 A1 5/2008 Oliver et al.
 2008/0119913 A1 5/2008 Powell et al.
 2008/0125680 A1 5/2008 Richmond et al.
 2008/0125682 A1 5/2008 Bonneyrat
 2008/0167590 A1 7/2008 Jon et al.
 2008/0210252 A1 9/2008 Taggart et al.
 2009/0036809 A1 2/2009 Nishio et al.
 2009/0198159 A1 8/2009 Linzell
 2009/0318853 A1 12/2009 Reed et al.
 2010/0217357 A1 8/2010 Da Silva et al.
 2010/0262051 A1 10/2010 De LaForcade
 2011/0087141 A1 4/2011 Wagy et al.
 2011/0098613 A1 4/2011 Thomas et al.
 2011/0184499 A1 7/2011 Radi
 2011/0251537 A1 10/2011 Yeo
 2012/0121313 A1 5/2012 Thiebaut
 2012/0165708 A1 6/2012 Parsloe
 2012/0209151 A1 8/2012 Zhou et al.
 2012/0234336 A1 9/2012 Paquet et al.
 2013/0023805 A1 1/2013 Ungemach et al.
 2013/0046212 A1 2/2013 Nichols
 2013/0079689 A1 3/2013 Thierman
 2014/0107543 A1 4/2014 Pazouki
 2014/0194900 A1 7/2014 Sedic
 2015/0105802 A1 4/2015 Sedic
 2016/0135582 A1 * 5/2016 Yen A47K 7/04
 15/22.1
 2018/0028395 A1 * 2/2018 Roth A46B 5/02
 2019/0117497 A1 * 4/2019 Sedic A61B 5/0531
 2020/0154874 A1 * 5/2020 Tammabattula A46B 13/023

FOREIGN PATENT DOCUMENTS

EP 1942857 7/2008
 EP 2164443 3/2010
 EP 2490645 8/2012
 JP 2000-000283 1/2000
 JP 2004-249061 9/2004
 KR 101078567 1/2011

OTHER PUBLICATIONS

“Silicone Face Massage Brush,” Alibaba.com, 1999-2014, Alibaba.com, 6 pages [Online] [Retrieved on Sep. 15, 2014] Retrieved from the Internet<URL: <http://www.alibaba.com/countrysearch/CN/silicone-face-massage-brush.html>>.
 Silicone Suction Cup Face Exfoliate Beauty Brushes, SourcingMap Ltd., 2006-2014, two pages, [Online] [Retrieved on Sep. 15, 2014] Retrieved from the Internet<URL: <http://www.sourcingmap.com/ladies-silicone-suction-cup-face-exfoliate-beauty-brushes-pink-p-242745.html>>.
 “Clarisonic” Web Page, Clarisonic, Pacific Bioscience Laboratories, Inc., 2013, 2 pages, [Online] [Retrieved on Sep. 15, 2014] Retrieved from the Internet<URL: <http://www.clarisonic.com/>>.
 “Neutrogena® Wave®,” Neutrogena Corporation, 2014, 1 page, [Online] [Retrieved on Sep. 15, 2014] Retrieved from the Internet<URL: <http://www.neutrogenawave.com/#/products>>.
 “Silicon Face Brushes,” Alibaba.com, 1999-2014, Alibaba.com, 8 pages [Online] [Retrieved on Sep. 15, 2014] Retrieved from the Internet<URL: <http://www.alibaba.com/manufacturers/face-silicone-brush-manufacturer.html>>.
 “Vibrating cosmetics,” 12 pages, PoshGlam®, Sep. 8, 2014, [Online] [Retrieved on Sep. 15, 2014] Retrieved from the Internet<URL: <http://www.poshglam.com/beauty/>>.
 “Waterproof Electric Face Massager,” Alibaba.com, 1999-2014, 3 pages, [Online] [Retrieved on Sep. 15, 2014] Retrieved from the Internet<URL: http://www.alibaba.com/product-gs/537532136/Waterproof_Electric_Face_Massager.html>.

(56)

References Cited

OTHER PUBLICATIONS

"Skincare," www.foreo.com, FOREO, accessed Jan. 20, 2019, pp. 1-13.

* cited by examiner

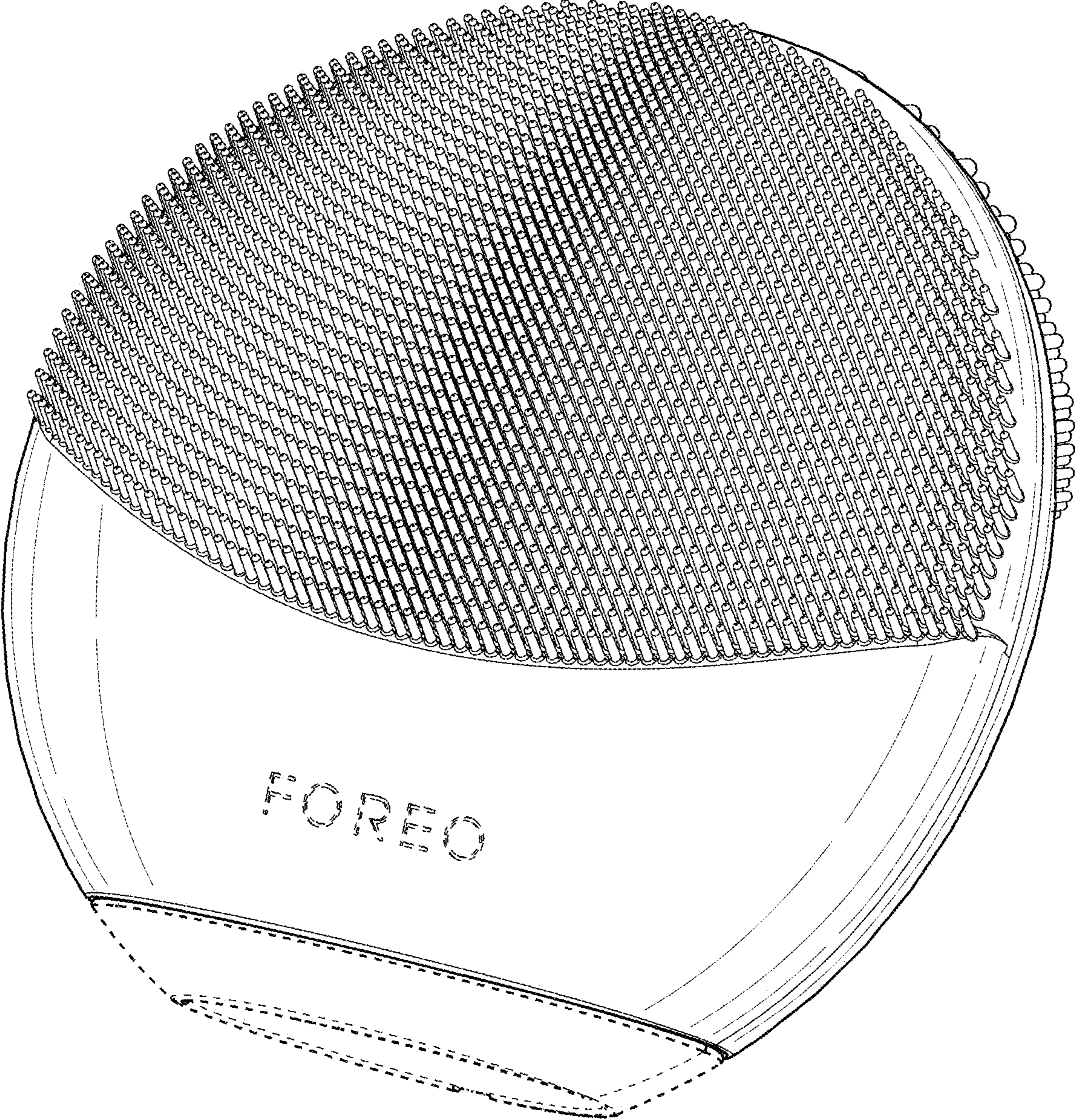


FIG. 1

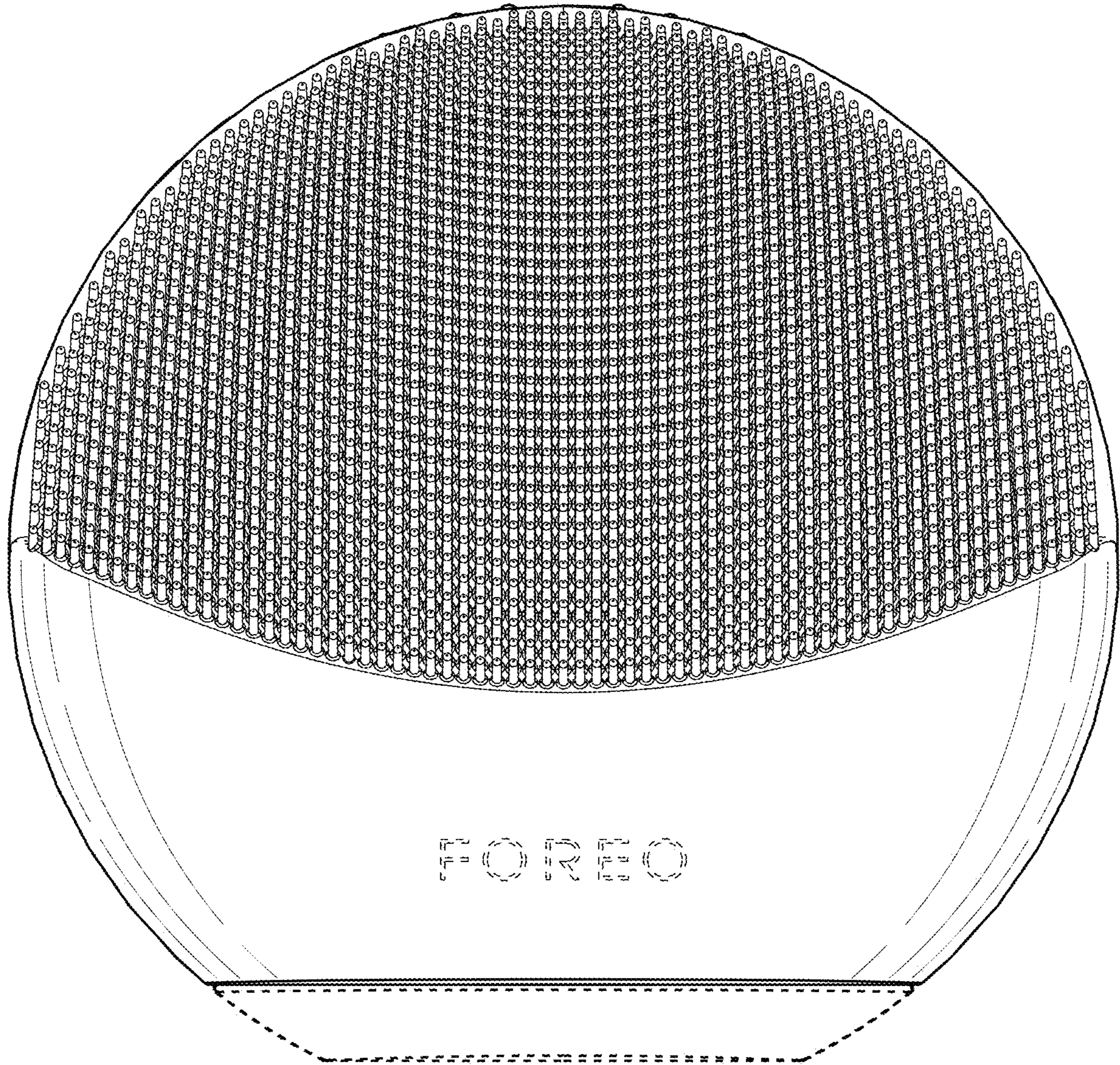


FIG. 2

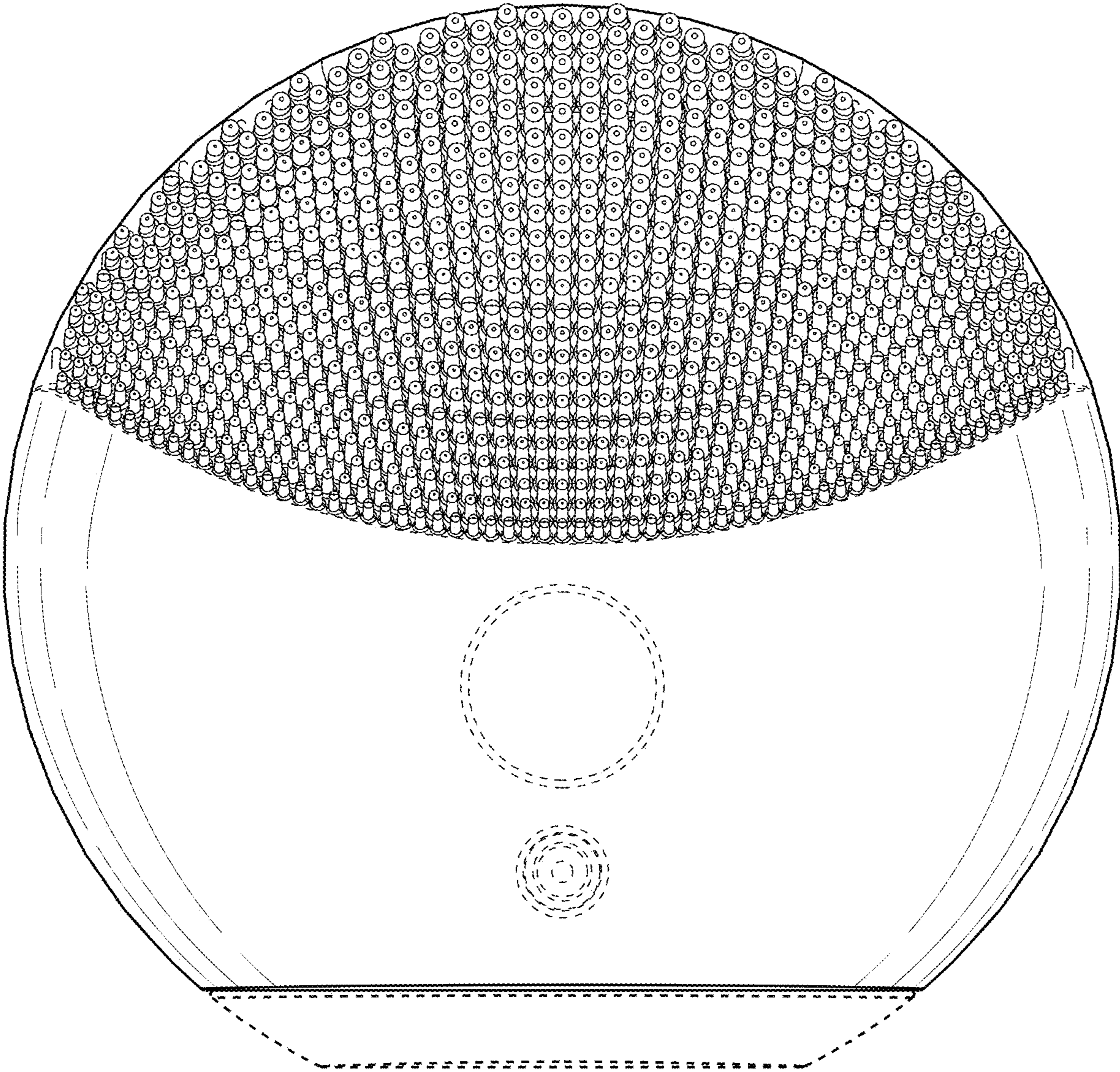


FIG. 3

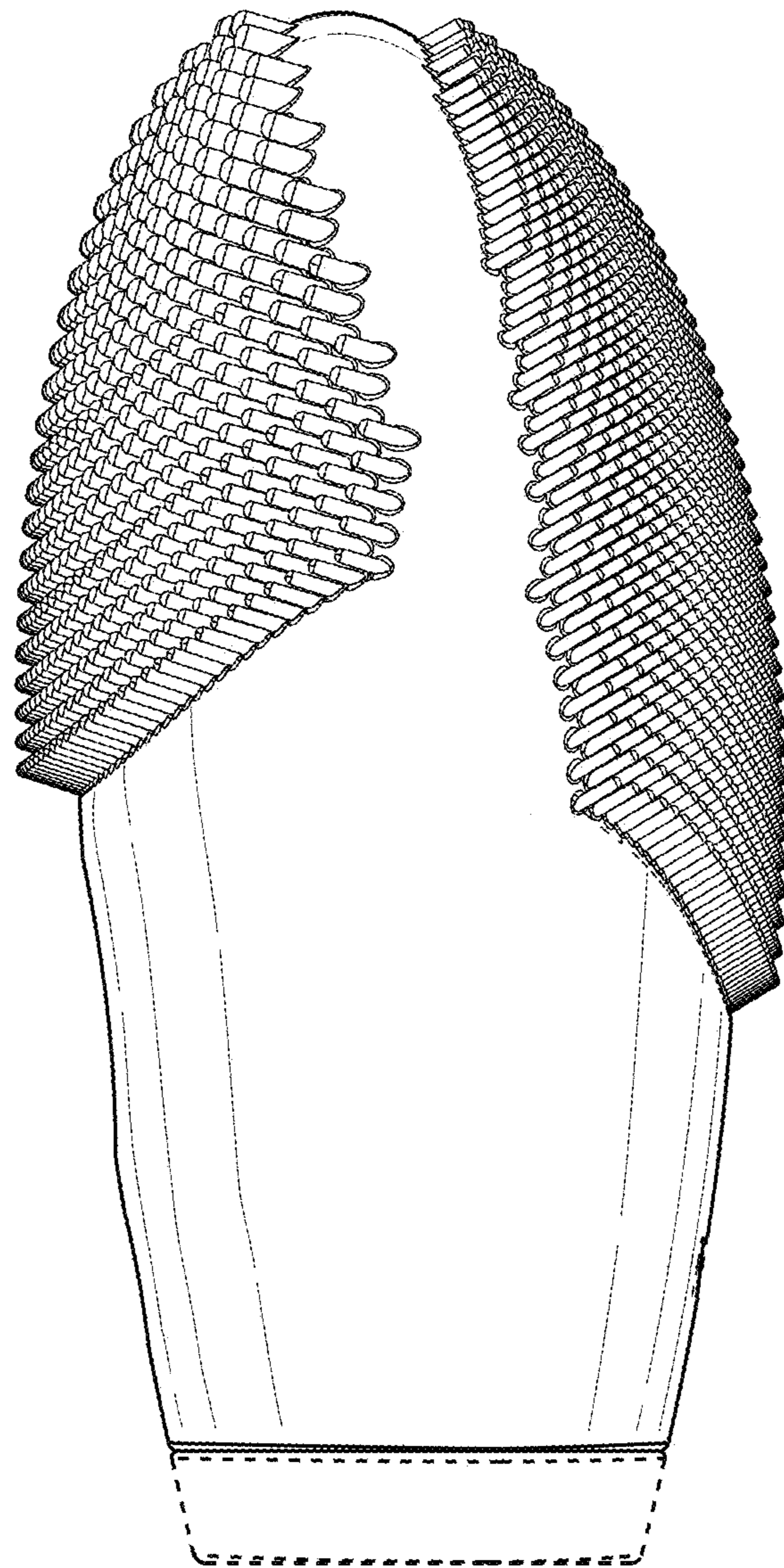


FIG. 4

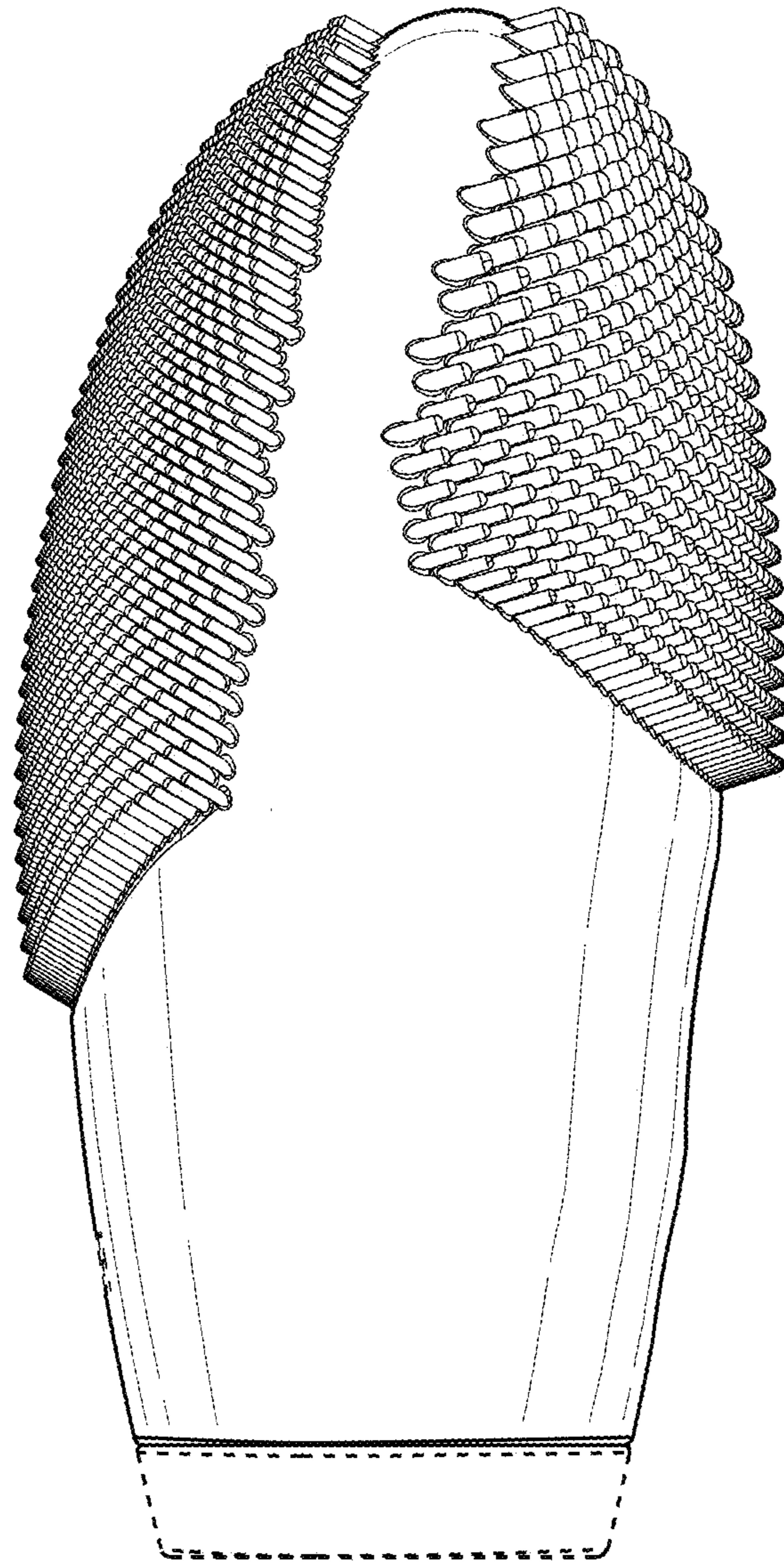


FIG. 5

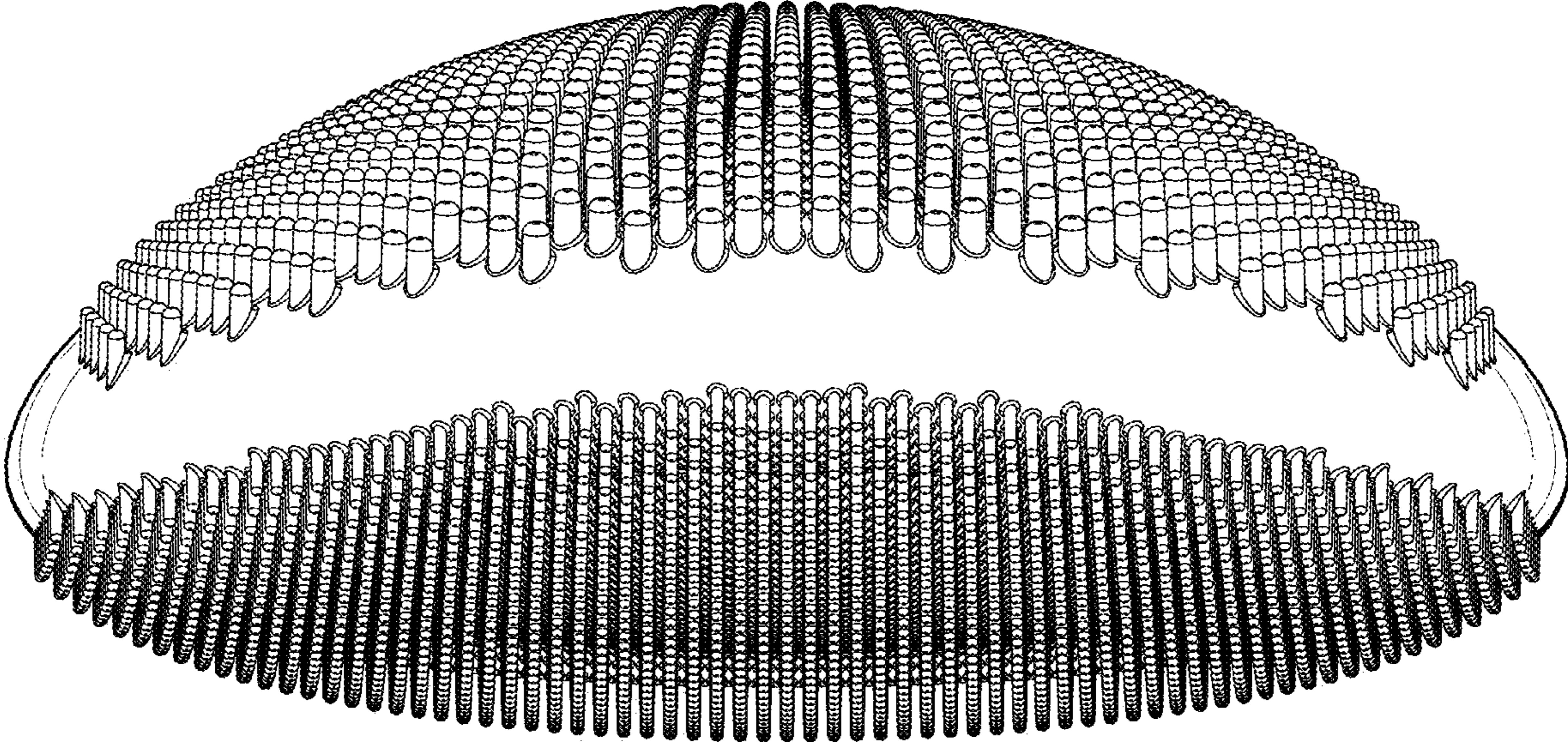


FIG. 6

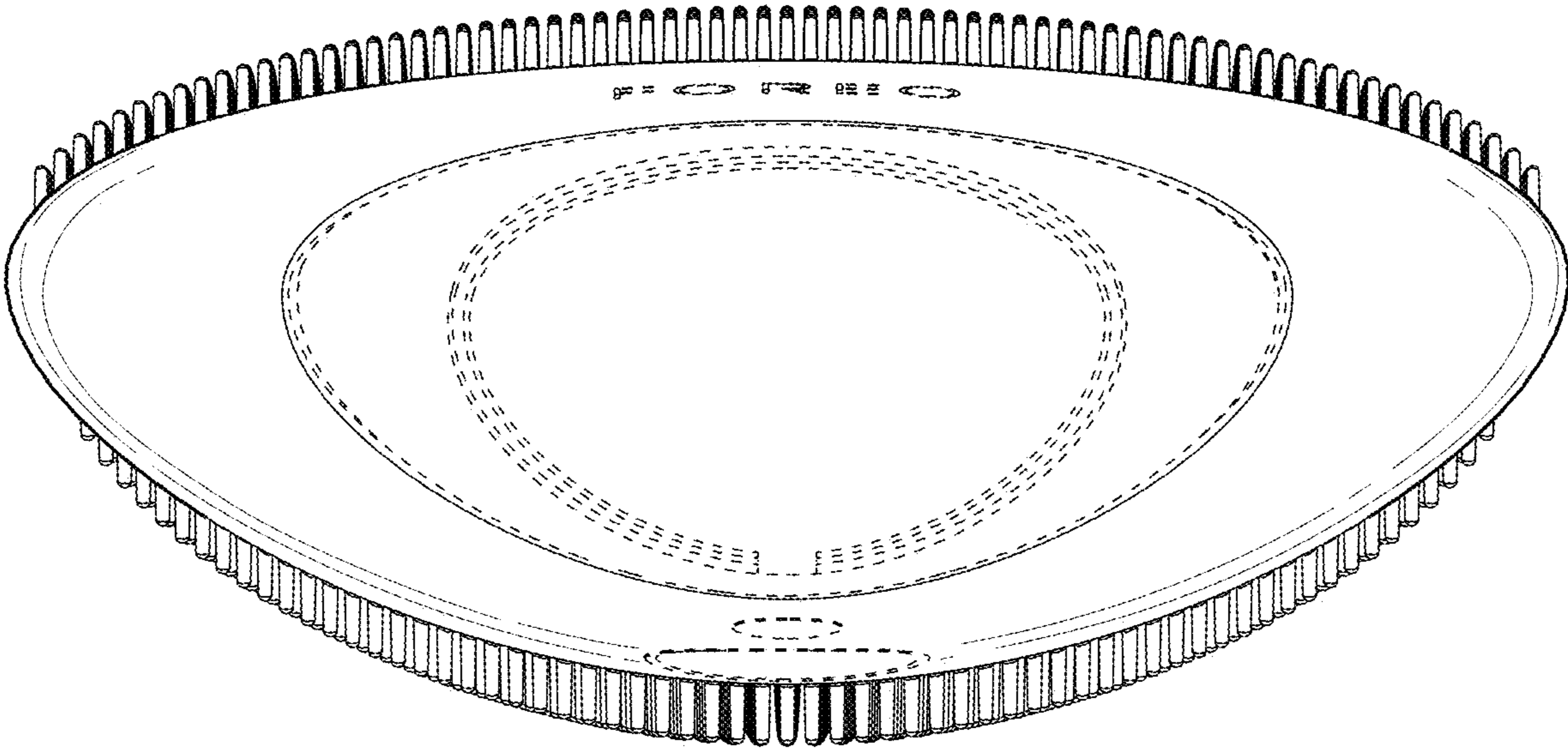


FIG. 7