



US00D898209S

(12) **United States Design Patent** (10) **Patent No.:** **US D898,209 S**
Xu (45) **Date of Patent:** **** Oct. 6, 2020**

(54) **DEEP TISSUE MASSAGER**
(71) Applicant: **YONG KANG AIJIU INDUSTRIAL & TRADE CO., LTD**, Yongkang, Zhejiang (CN)
(72) Inventor: **Lijun Xu**, Zhejiang (CN)
(73) Assignee: **YONG KANG AIJIU INDUSTRIAL & TRADE CO., LTD**, Yongkang (CN)

(**) Term: **15 Years**
(21) Appl. No.: **29/733,841**
(22) Filed: **May 7, 2020**

(30) **Foreign Application Priority Data**
Mar. 19, 2020 (CN) 2020 3 0093768
(51) **LOC (12) Cl.** **28-03**
(52) **U.S. Cl.**
USPC **D24/214**
(58) **Field of Classification Search**
USPC D24/133, 200, 211, 212, 213, 214, 215;
D8/14.1
CPC . A61H 7/007; A61H 2201/1609; A61H 23/00
See application file for complete search history.

(56) **References Cited**
U.S. PATENT DOCUMENTS
D847,364 S * 4/2019 Lee D24/215
10,314,762 B1 * 6/2019 Marton A61H 23/006
D866,790 S * 11/2019 Lee D24/215
D872,869 S 1/2020 Lu
D873,432 S * 1/2020 Duan D24/214

D874,015 S * 1/2020 Marton D24/215
D875,961 S * 2/2020 Li D24/211
D880,714 S * 4/2020 Wersland D24/215
D880,715 S * 4/2020 Wersland D24/215
D880,716 S * 4/2020 Wersland D24/215
D884,205 S * 5/2020 Zhuang D24/215
D884,207 S * 5/2020 Ma D24/215
D884,915 S * 5/2020 Wersland D24/215
D885,601 S * 5/2020 Wersland D24/215
D886,317 S * 6/2020 Marton D24/215
D887,573 S * 6/2020 Wersland D24/215
2019/0254922 A1 * 8/2019 Marton A61H 23/0263

* cited by examiner

Primary Examiner — Cynthia Ramirez
Assistant Examiner — Michael A Maharajh

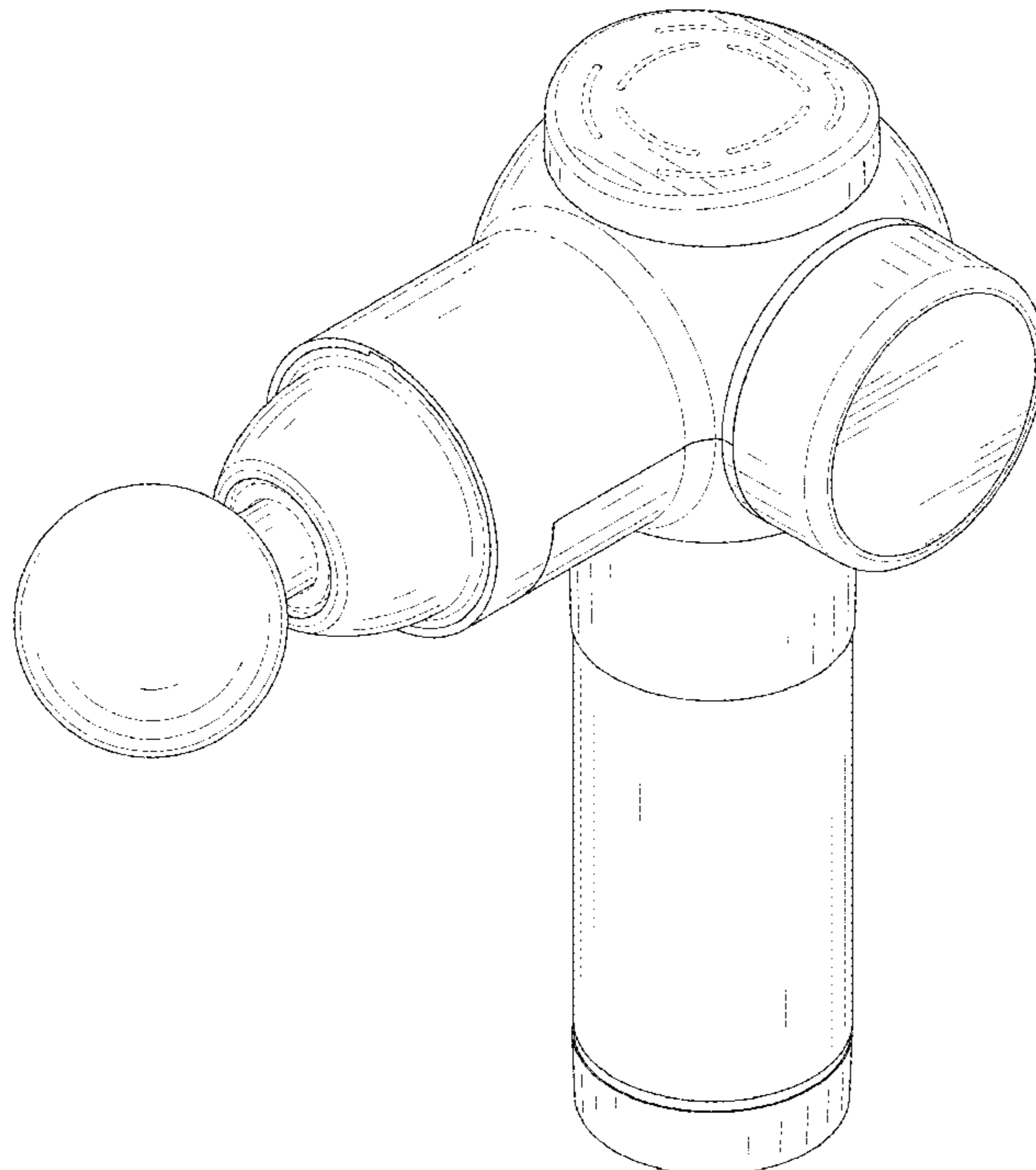
(57) **CLAIM**

The ornamental design for a deep tissue massager, as shown and described.

DESCRIPTION

FIG. 1 is a top, front and left side perspective view of a deep tissue massager showing my new design;
FIG. 2 is a bottom, rear and right side perspective view thereof;
FIG. 3 is a front elevational view thereof;
FIG. 4 is a rear elevational view thereof;
FIG. 5 is a left side view thereof;
FIG. 6 is a right side view thereof;
FIG. 7 is a top plan view thereof; and,
FIG. 8 is a bottom plan view thereof.
The broken lines in the drawings illustrate portions of the deep tissue massager which form no part of the claimed design.

1 Claim, 8 Drawing Sheets



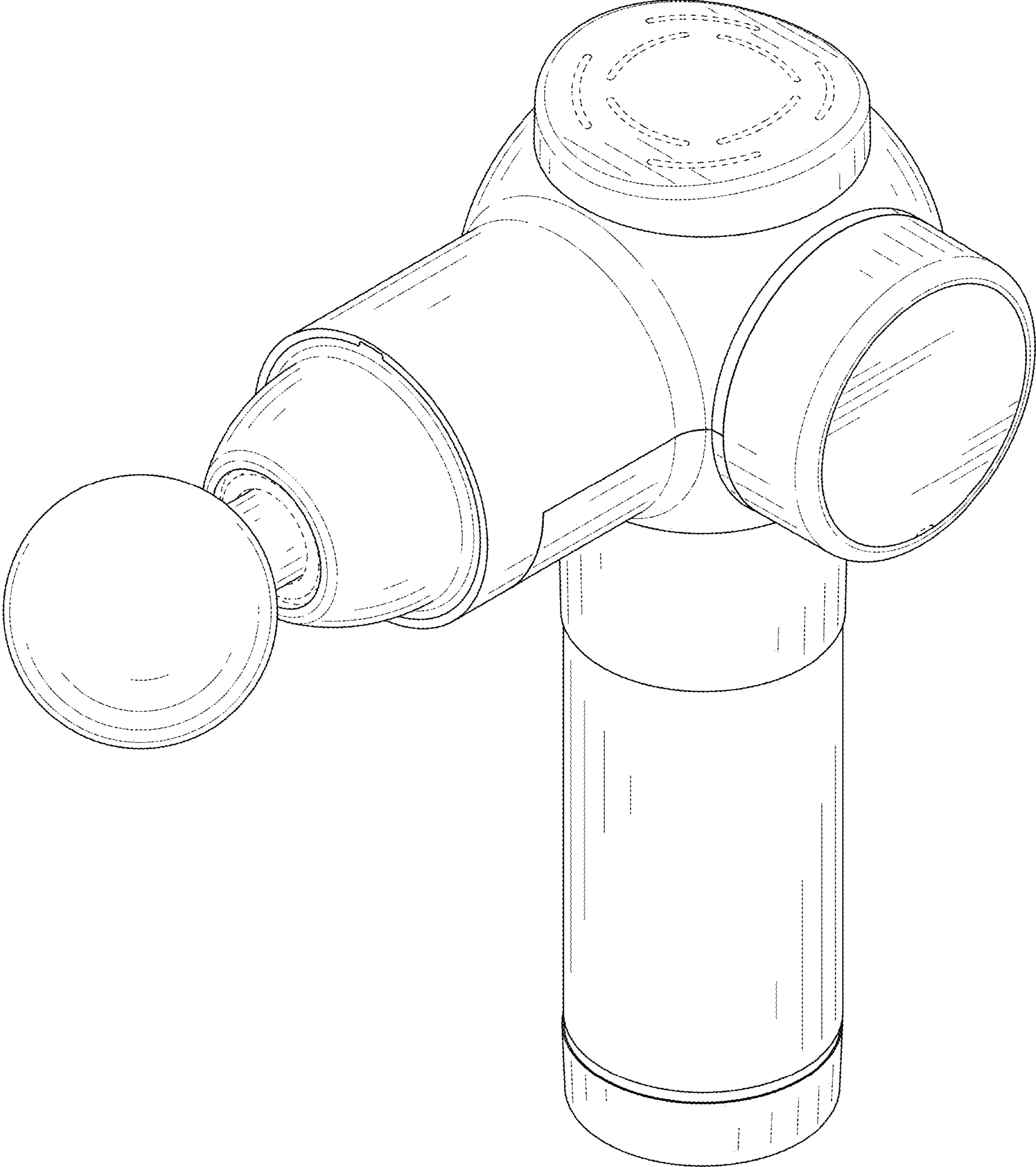


FIG. 1

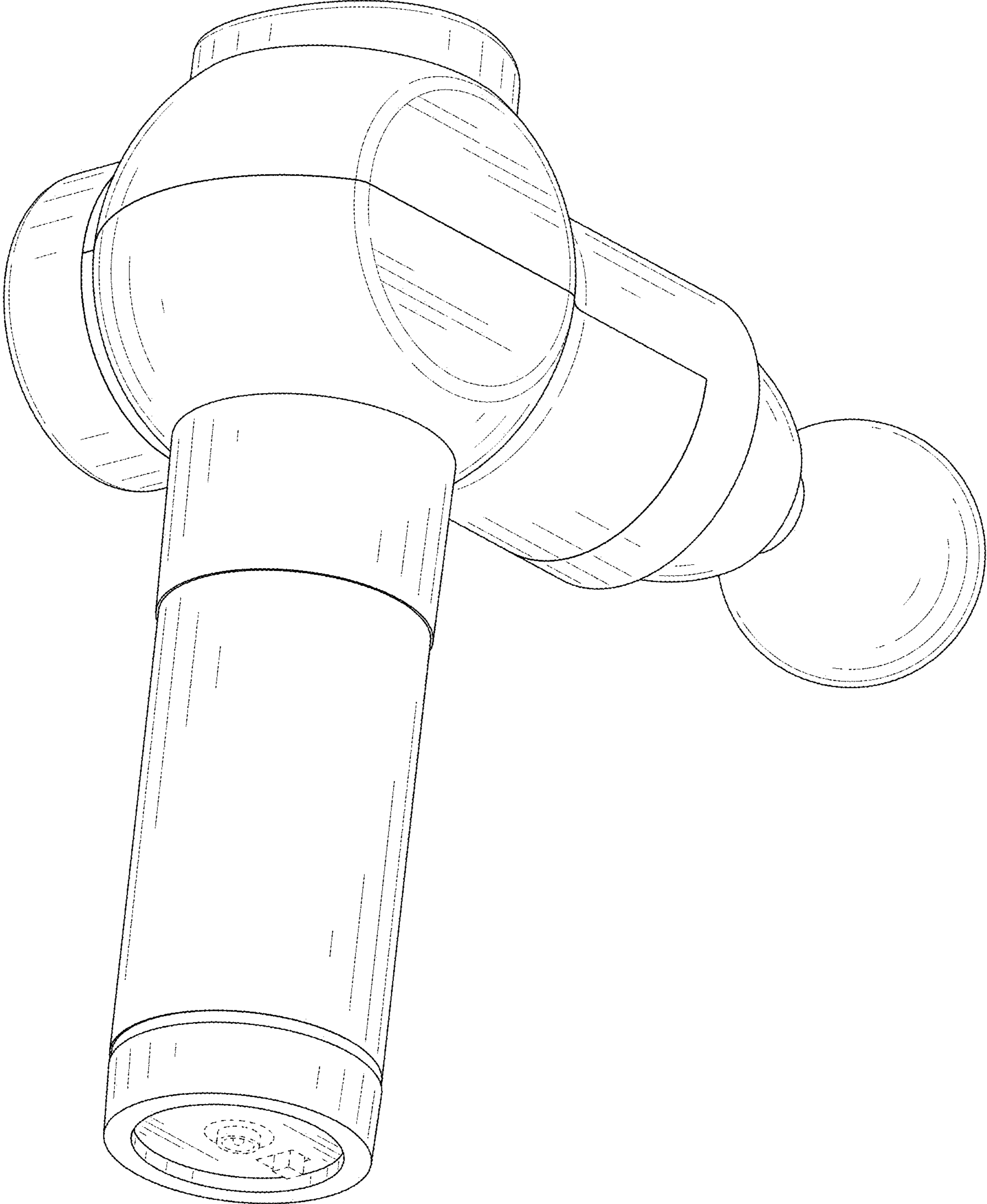


FIG. 2

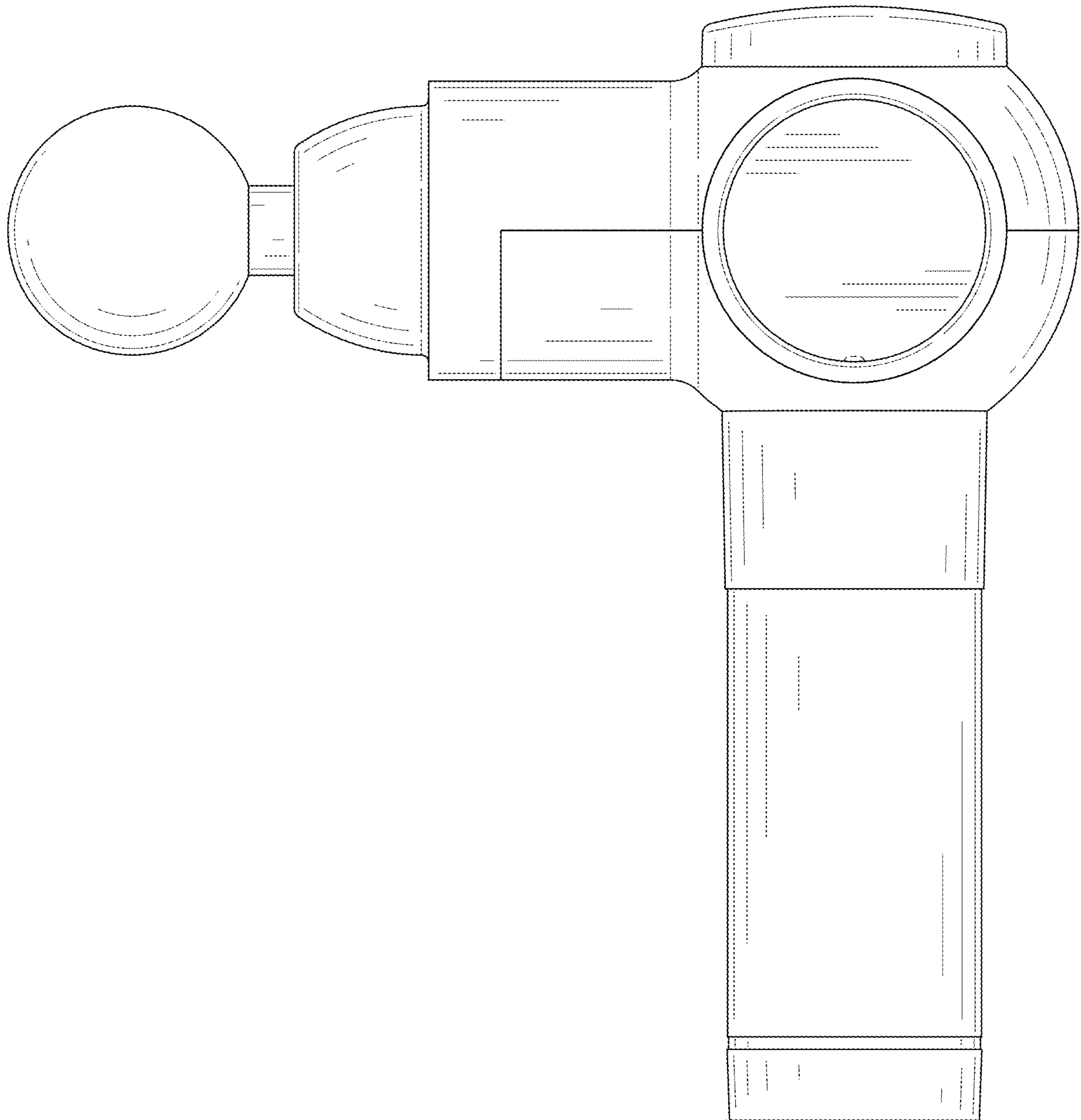


FIG. 3

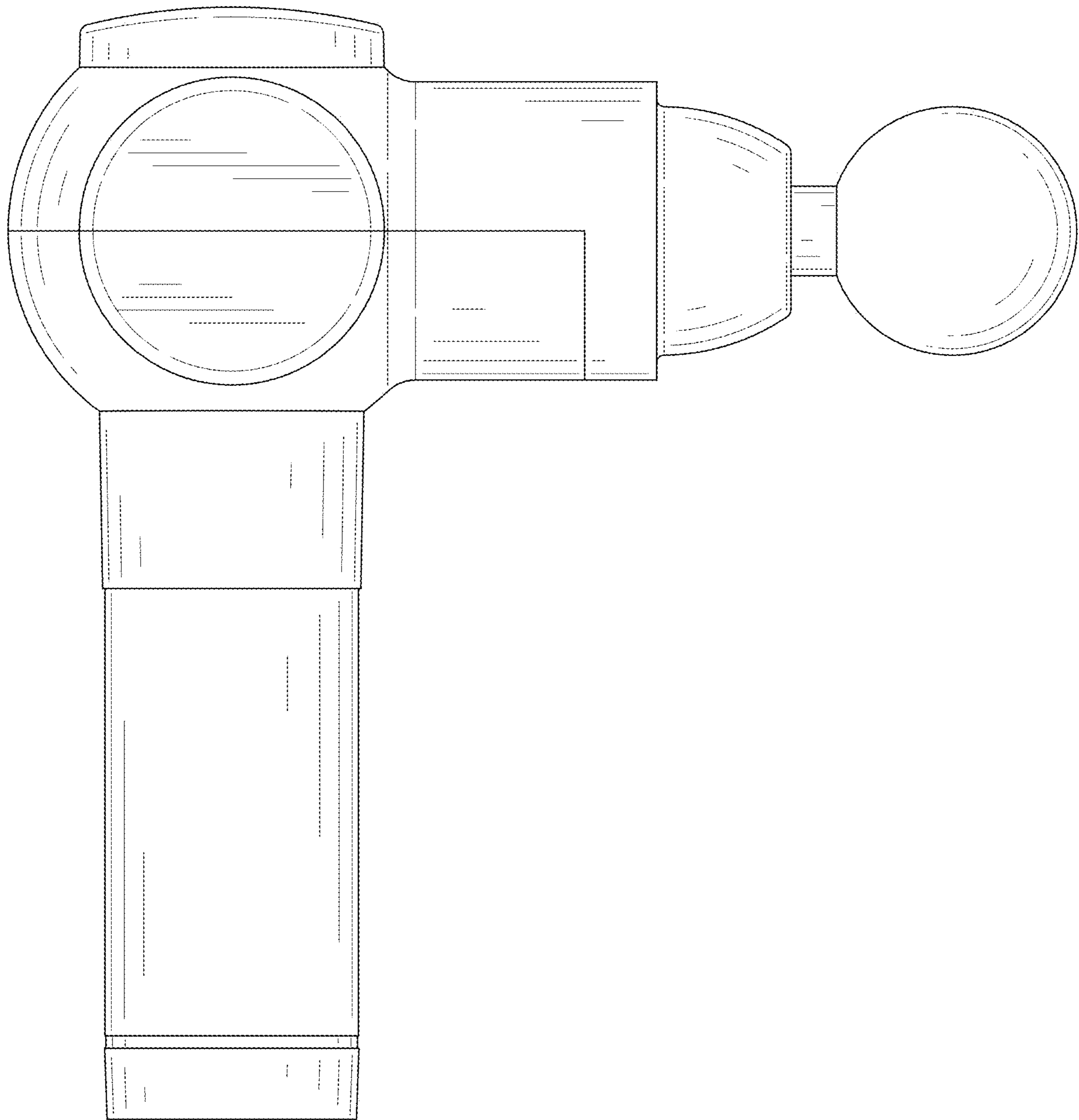


FIG. 4

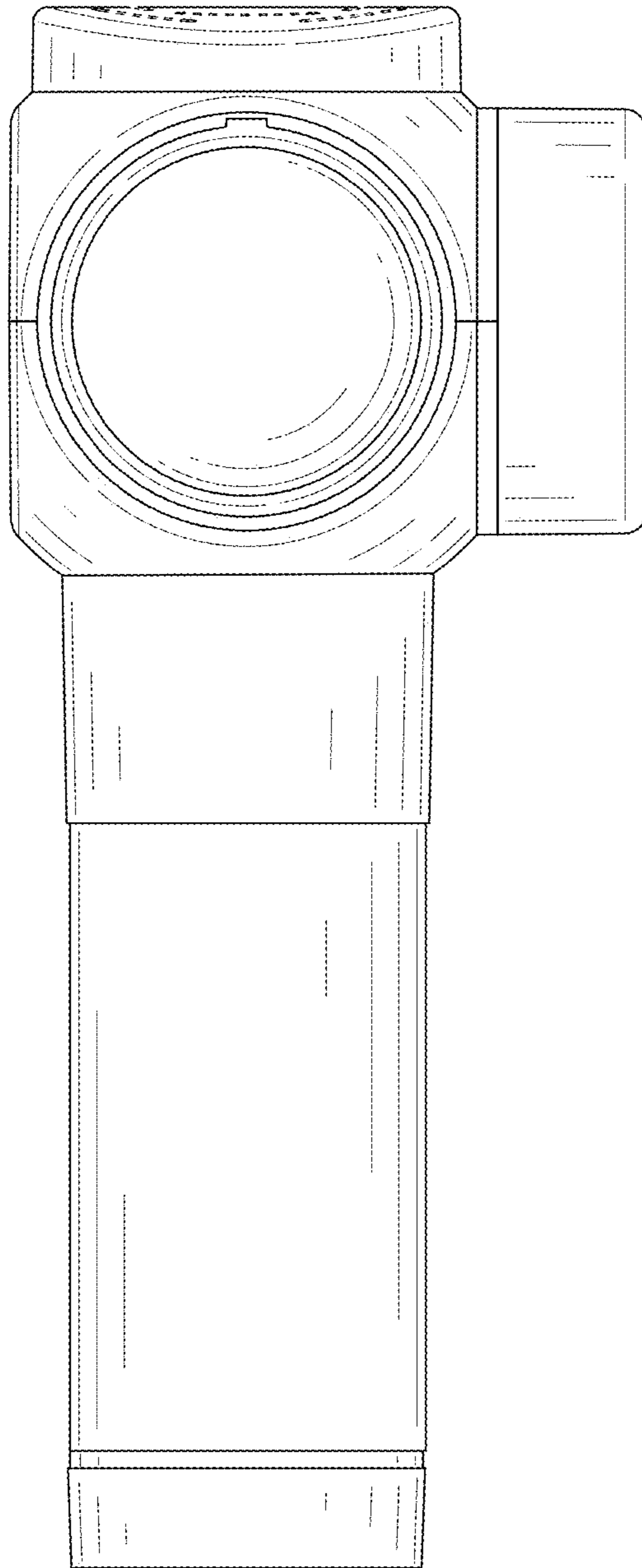


FIG. 5

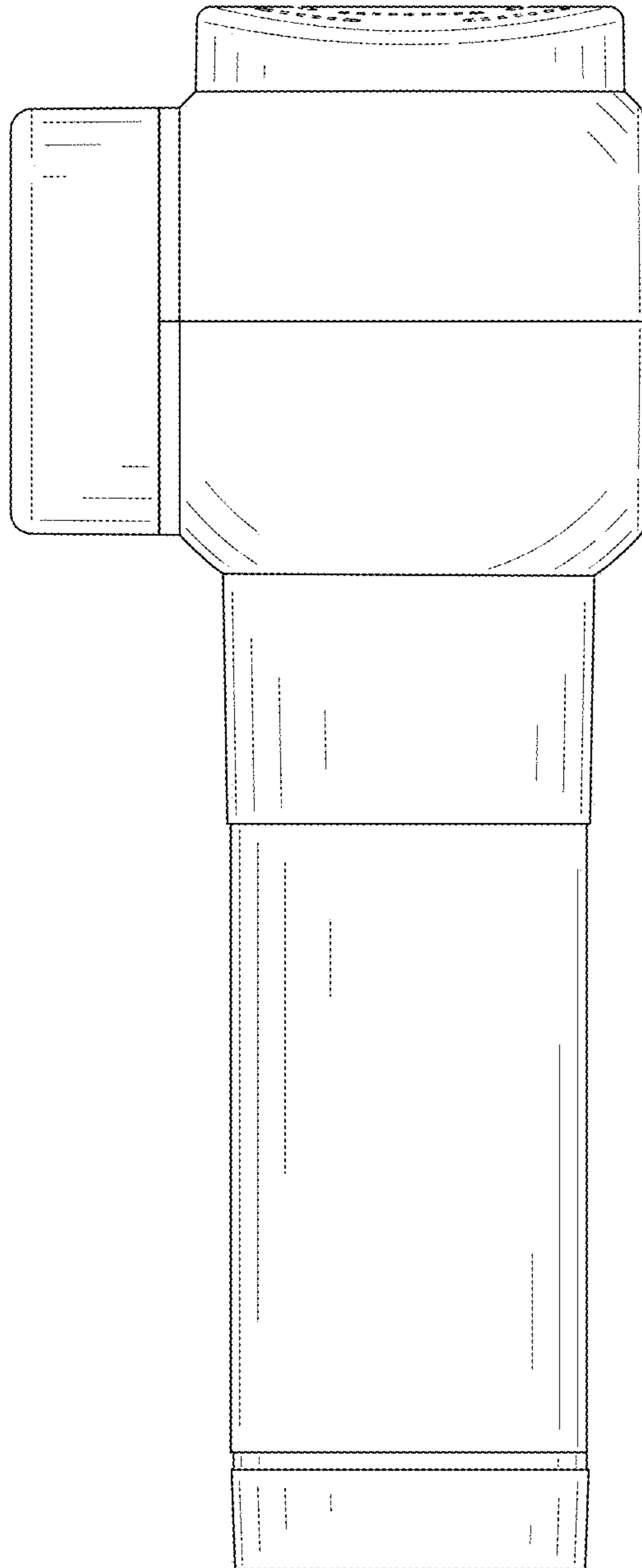


FIG. 6

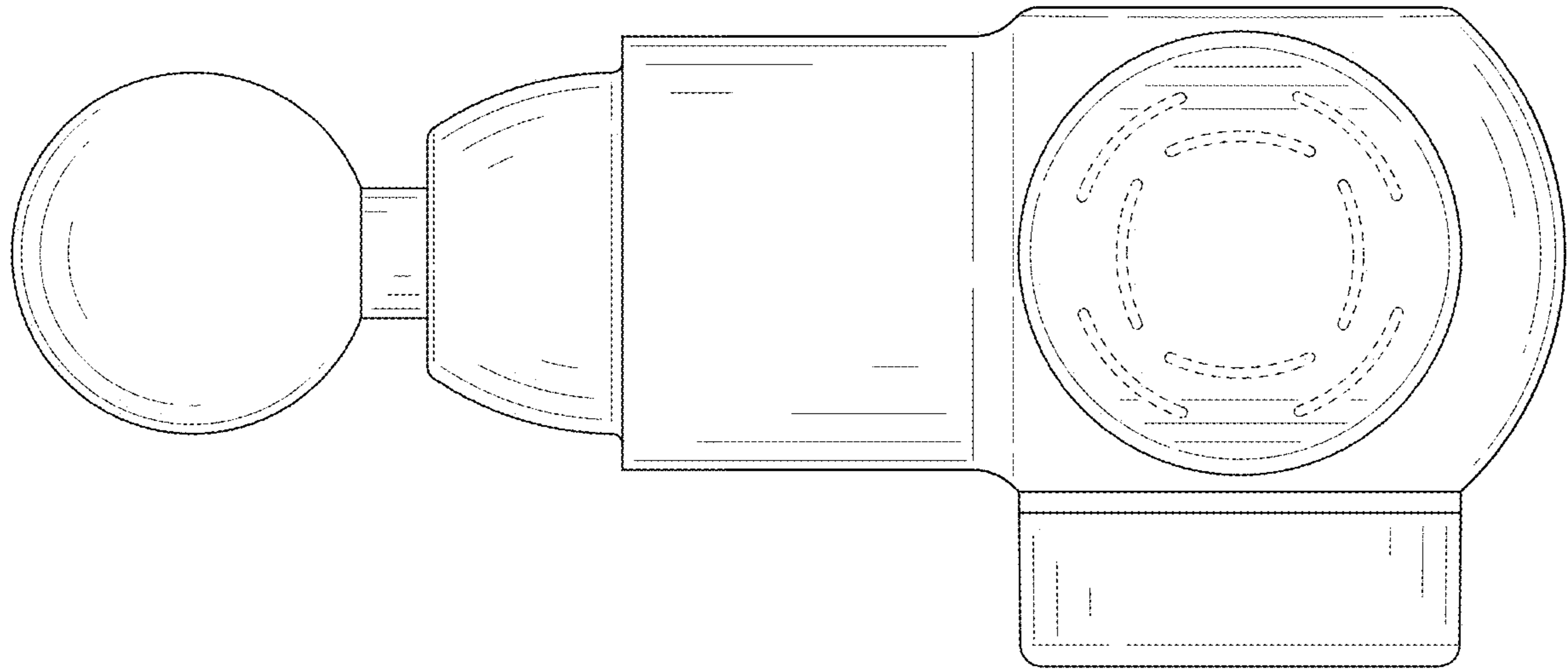


FIG. 7

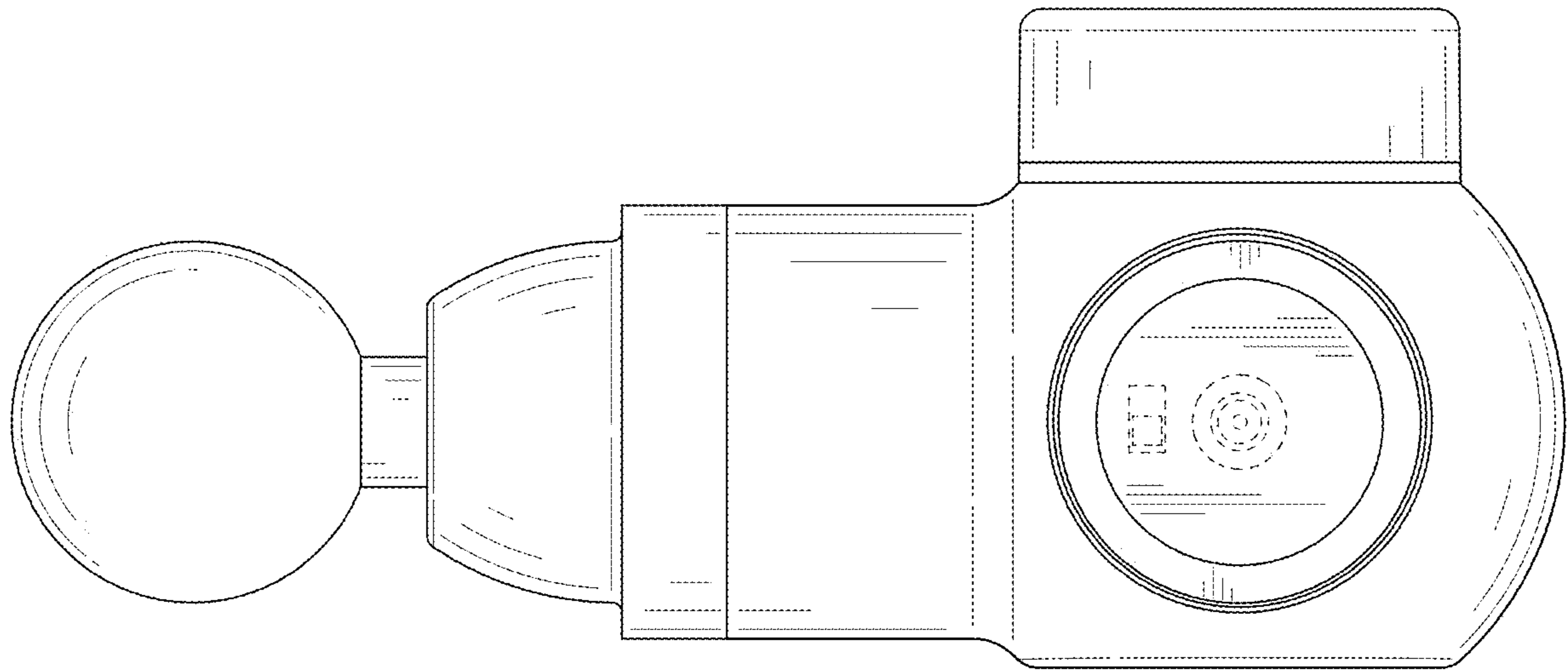


FIG. 8