



US00D898201S

(12) **United States Design Patent**  
**Sun et al.**

(10) **Patent No.:** **US D898,201 S**

(45) **Date of Patent:** **\*\* Oct. 6, 2020**

(54) **PATIENT TABLE**

(71) Applicant: **Siemens Healthcare GmbH**, Erlangen (DE)

(72) Inventors: **Tao Sun**, Shanghai (CN); **Gerben Ten Cate**, Forchheim (DE); **Moritz Ludwig**, Graefelfing (DE); **Sichao Jin**, Shanghai (CN)

(73) Assignee: **Siemens Healthcare GmbH**, Erlangen (DE)

(\*\*) Term: **15 Years**

(21) Appl. No.: **29/668,025**

(22) Filed: **Oct. 26, 2018**

(30) **Foreign Application Priority Data**

Apr. 28, 2018 (CN) ..... 2018 3 0188126

(51) **LOC (12) Cl.** ..... **24-02**

(52) **U.S. Cl.**  
USPC ..... **D24/183**

(58) **Field of Classification Search**  
USPC ..... D24/107, 158-161, 183-186; D6/691  
CPC ..... A61B 6/0457; A61B 6/4447; A61B 6/484;  
A61B 6/0407; A61B 6/0428; A61G  
2210/50

See application file for complete search history.

(56) **References Cited**

**U.S. PATENT DOCUMENTS**

- 3,158,742 A \* 11/1964 Morel ..... A61B 6/0457  
378/209
- 3,982,741 A \* 9/1976 Mitchell ..... A61G 7/015  
5/614
- D439,670 S \* 3/2001 Sommer ..... D24/183
- D441,868 S \* 5/2001 Rodenas Santiago ..... D24/183
- D727,509 S \* 4/2015 Tan ..... D24/159
- D735,864 S \* 8/2015 Doerre ..... D24/159

- D736,934 S \* 8/2015 Kim ..... D24/183
- D752,757 S \* 3/2016 Li ..... D24/159
- D820,453 S \* 6/2018 Personelli ..... D24/159
- D829,913 S \* 10/2018 Kitayama ..... D24/159
- D855,185 S \* 7/2019 Chang ..... D24/159

**FOREIGN PATENT DOCUMENTS**

JP D2002-24569 \* 9/2002

**OTHER PUBLICATIONS**

ST-2200, 4-Way Patient Table. Online, published date unknown. Retrieved on Feb. 20, 2020 from URL: <http://www.syfm.co.kr/portfolio-item/st-2200/>.\*

\* cited by examiner

*Primary Examiner* — Susan Bennett Hattan

*Assistant Examiner* — Omeed Agilee

(74) *Attorney, Agent, or Firm* — Schiff Hardin LLP

(57) **CLAIM**

The ornamental design for a patient table, as shown and described.

**DESCRIPTION**

FIG. 1 is a front view of a patient table showing our new design;

FIG. 2 is a back elevational view thereof;

FIG. 3 is a top plan view thereof;

FIG. 4 is a bottom plan view thereof;

FIG. 5 is a left side elevational view thereof;

FIG. 6 is a right side elevational view thereof;

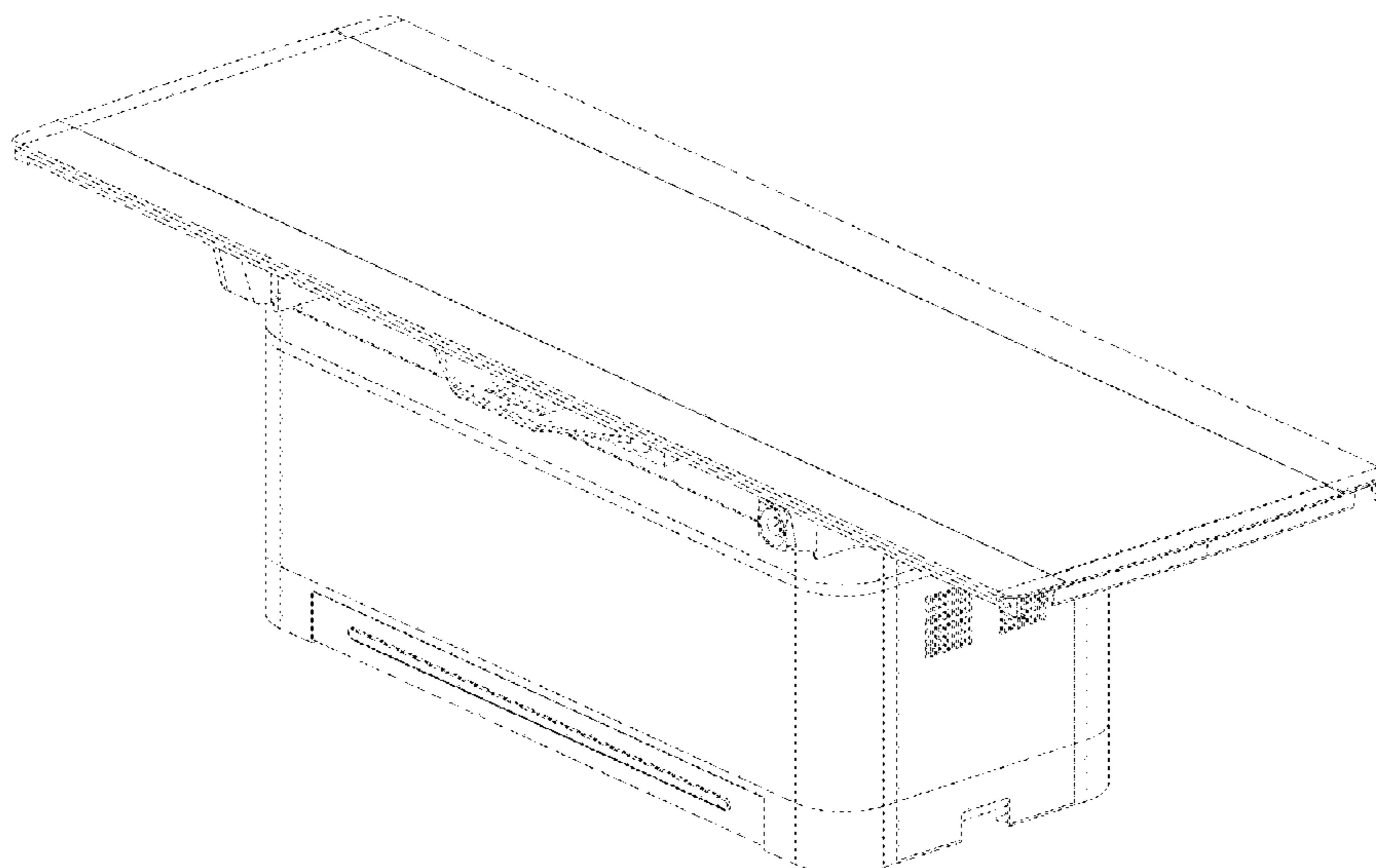
FIG. 7 is a top back right perspective view thereof;

FIG. 8 is a top front left perspective view thereof; and,

FIG. 9 is a top front left perspective view thereof in an alternative position.

The broken lines shown in the drawings depict portions of the patient table that form no part of the claimed design.

**1 Claim, 8 Drawing Sheets**



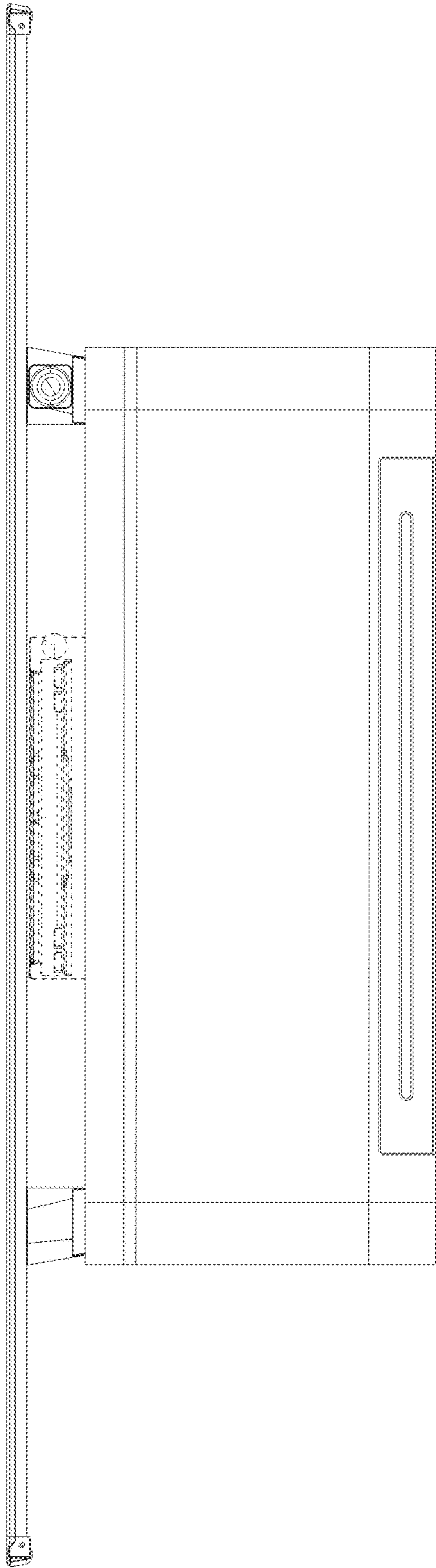


FIG. 1

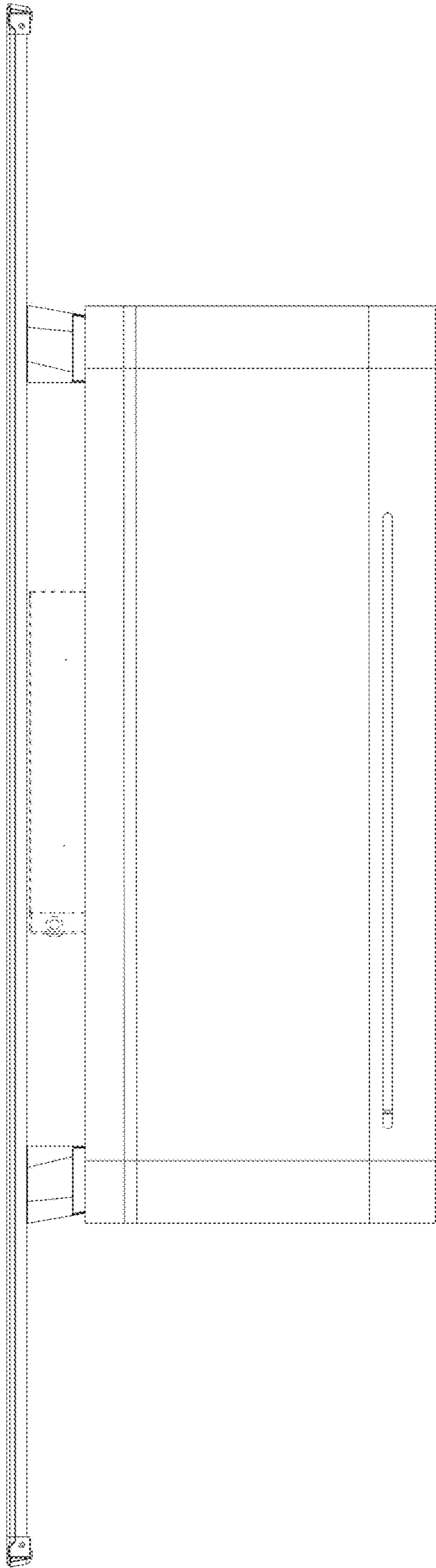


FIG. 2

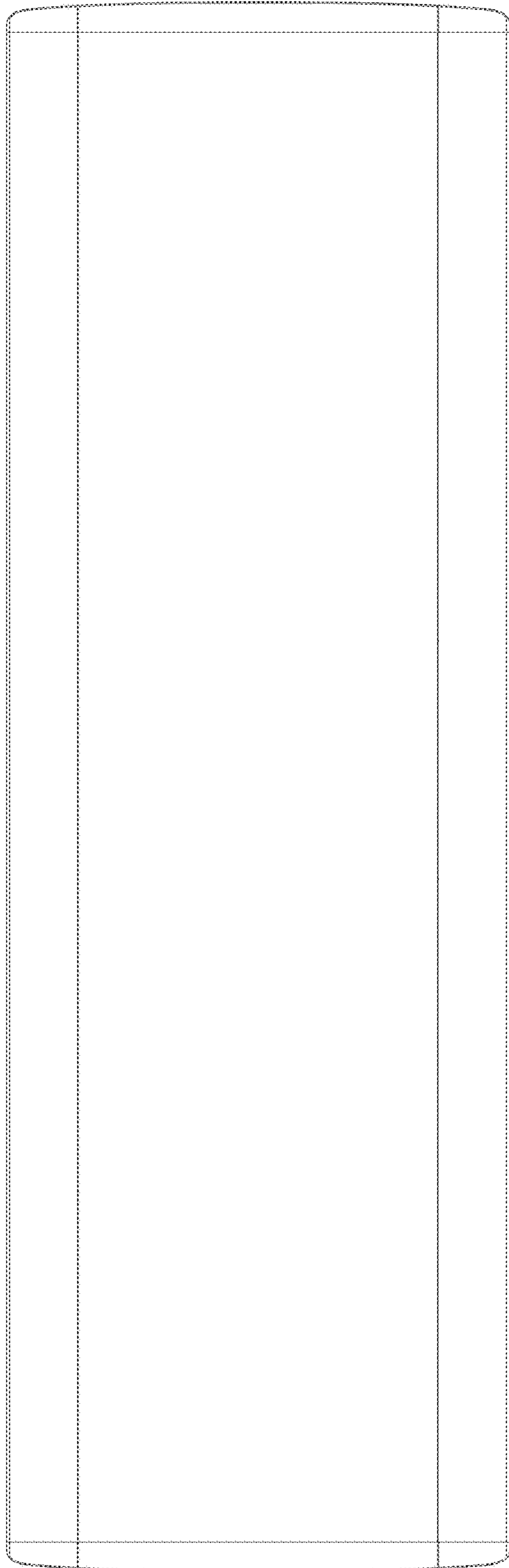


FIG. 3

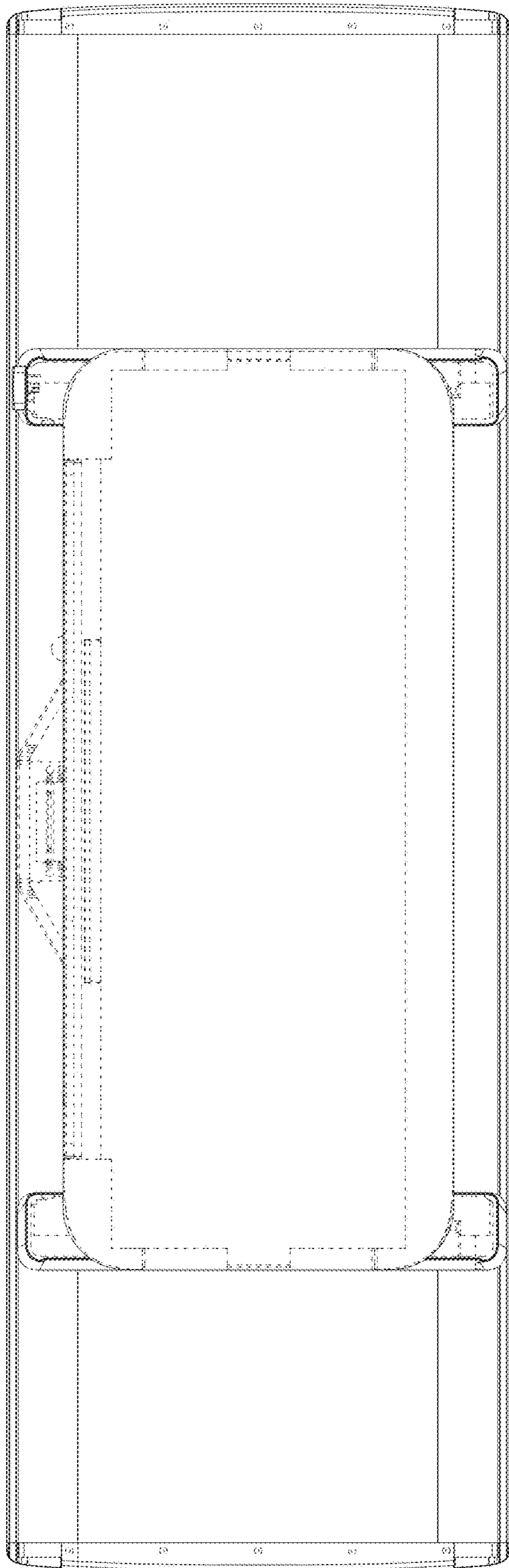


FIG. 4

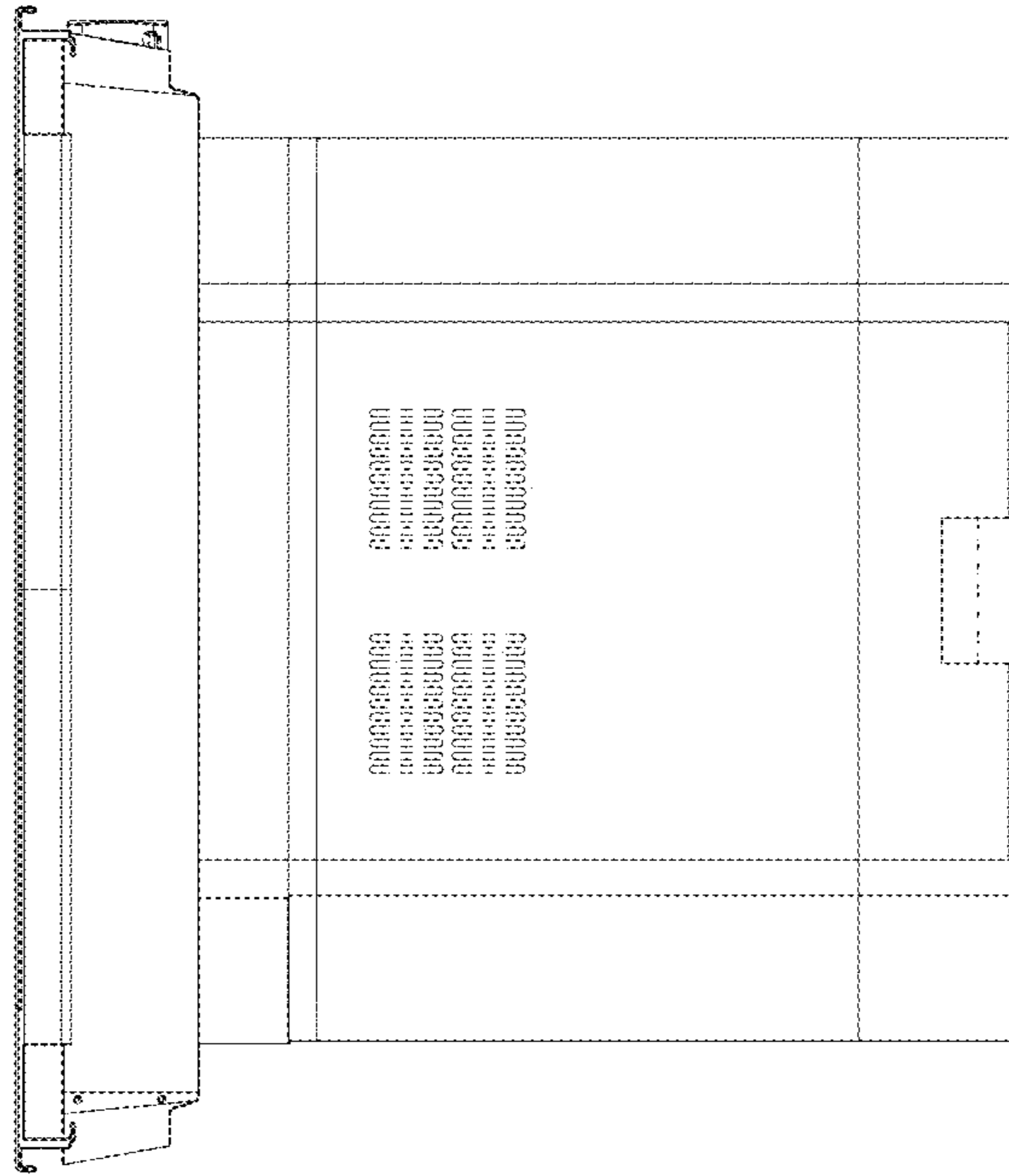


FIG. 6

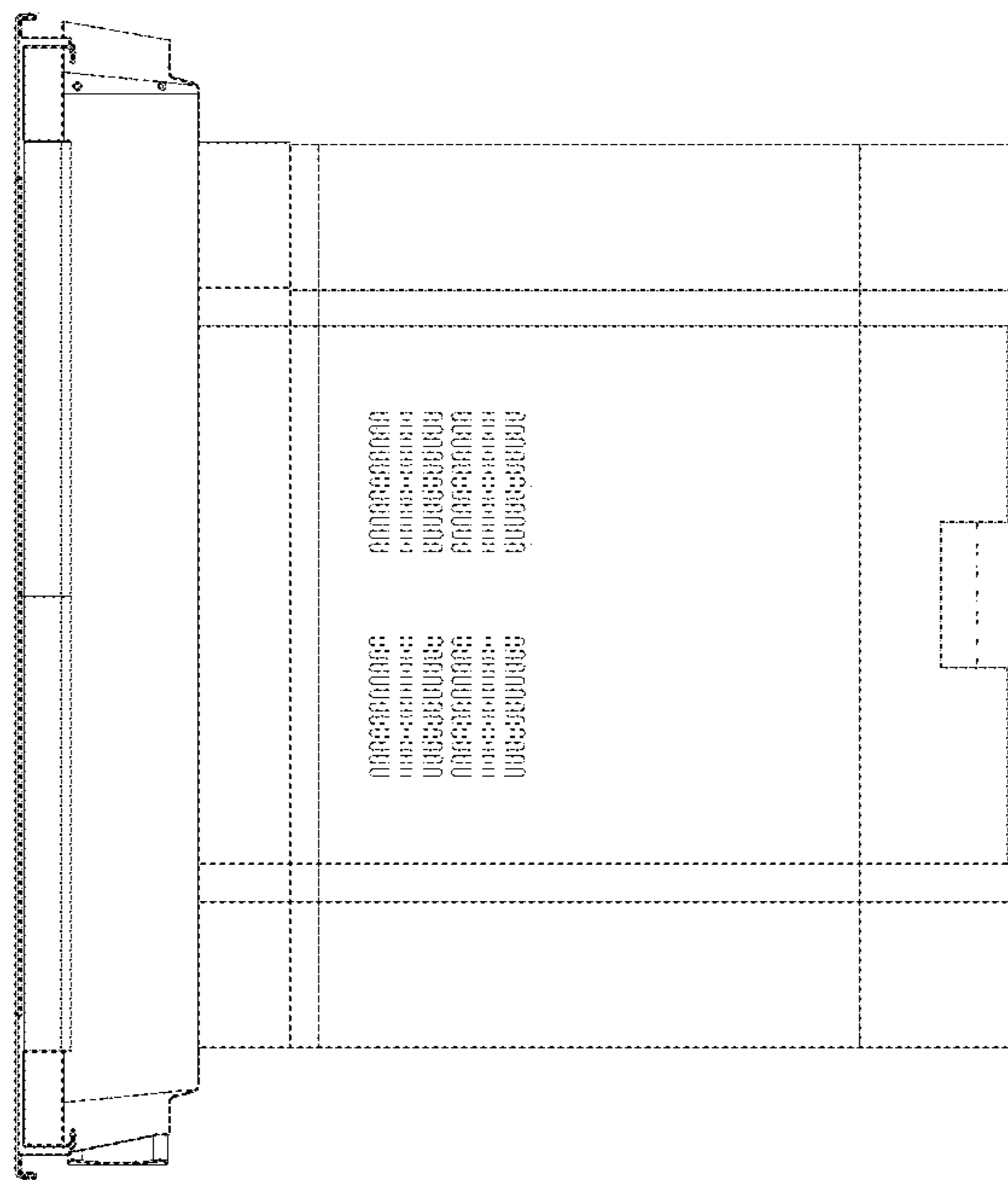


FIG. 5

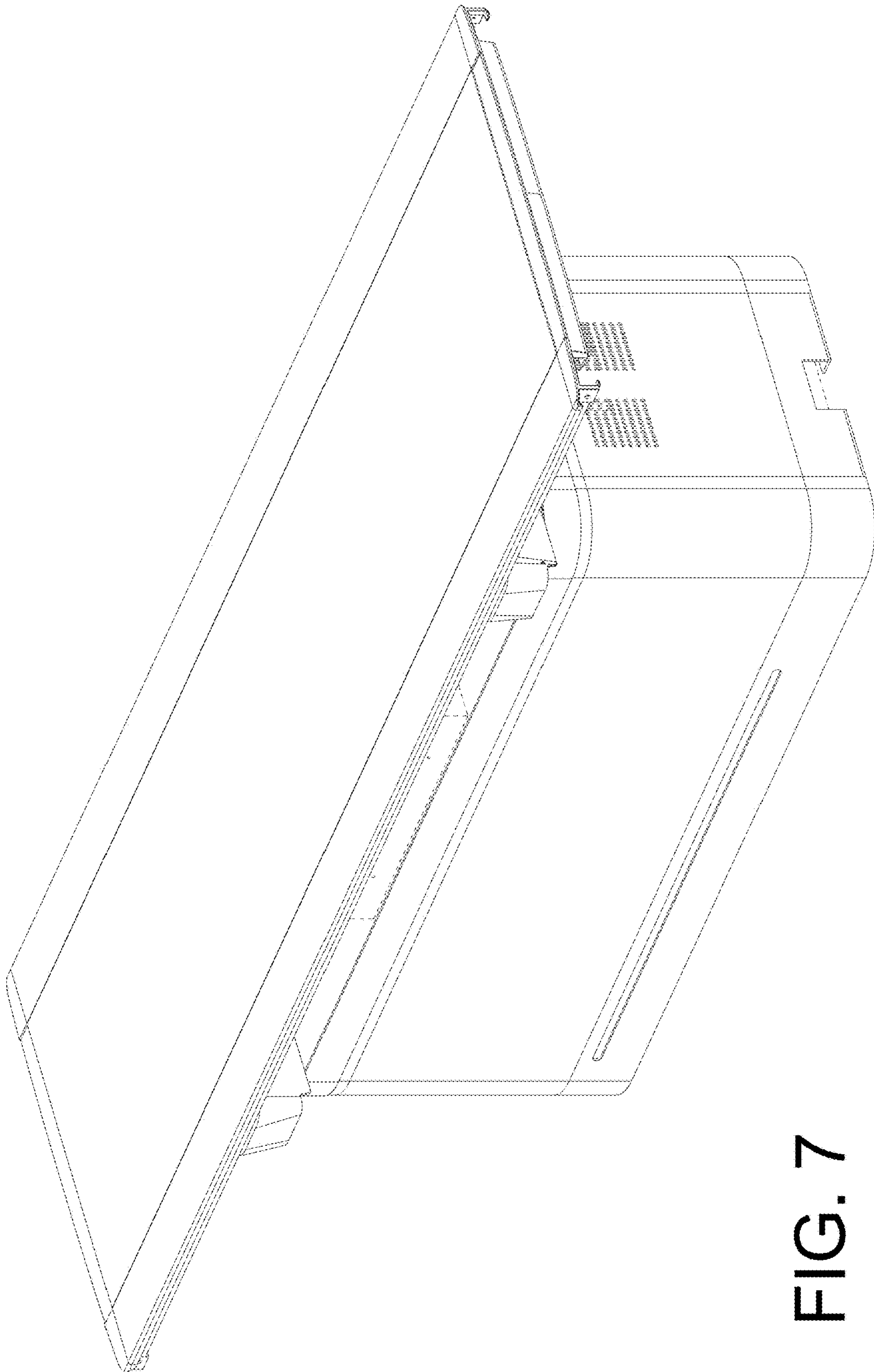


FIG. 7

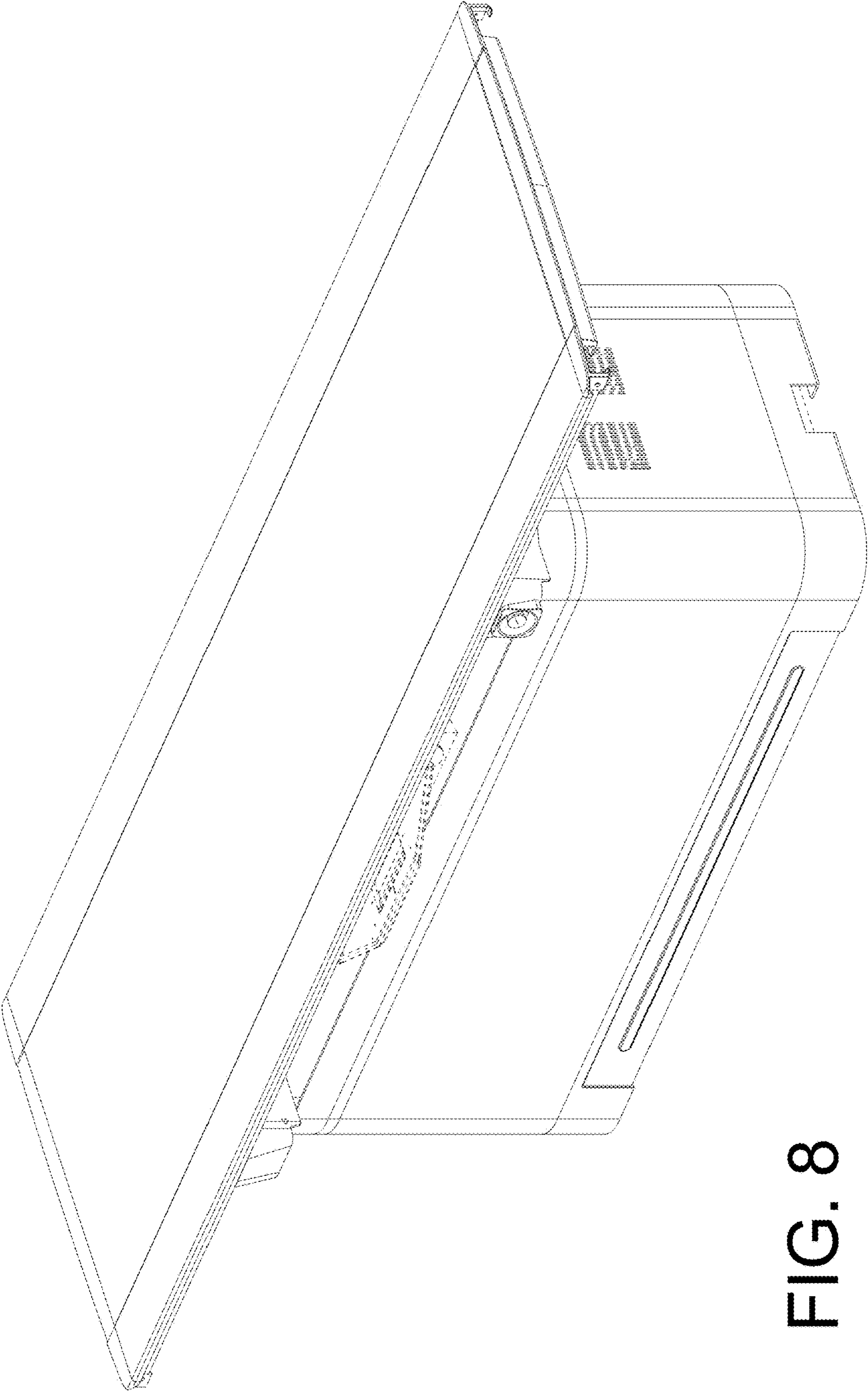


FIG. 8



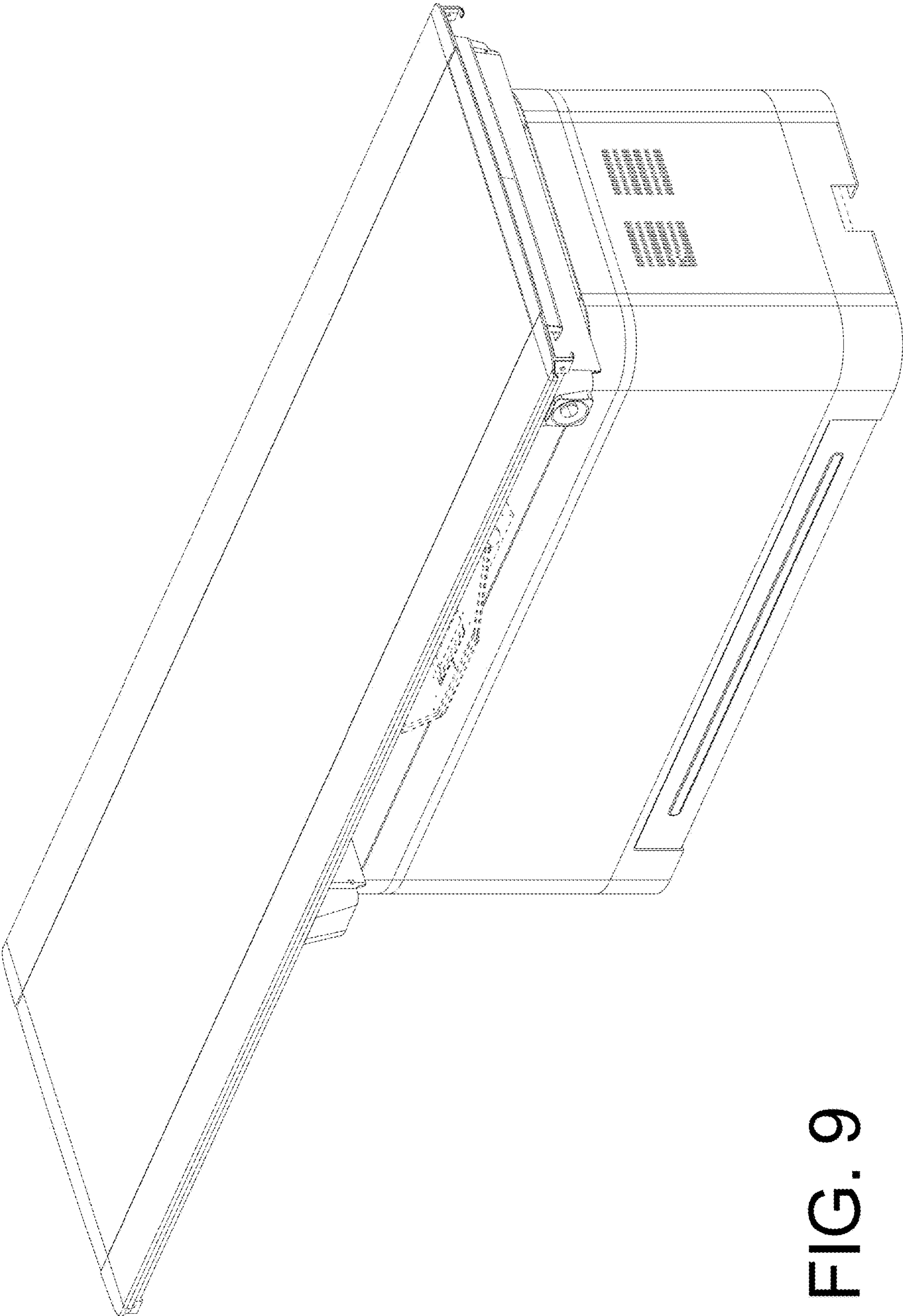


FIG. 9