



US00D898192S

(12) **United States Design Patent** (10) **Patent No.:** **US D898,192 S**
Sauer (45) **Date of Patent:** **** Oct. 6, 2020**

(54) **SURGICAL EQUIPMENT HOLDER**

(71) Applicant: **LSI Solutions, Inc.**, Victor, NY (US)

(72) Inventor: **Jude S. Sauer**, Pittsford, NY (US)

(73) Assignee: **LSI Solutions, Inc.**, Victor, NY (US)

(**) Term: **15 Years**

(21) Appl. No.: **29/666,643**

(22) Filed: **Oct. 15, 2018**

(51) **LOC (12) Cl.** **24-02**

(52) **U.S. Cl.**
USPC **D24/133; D24/184**

(58) **Field of Classification Search**
USPC D24/128, 135, 155, 159, 183, 184, 190,
D24/133; D15/140, 199
CPC A61B 2017/0287
See application file for complete search history.

(56) **References Cited**

U.S. PATENT DOCUMENTS

D273,044 S *	3/1984	Holcomb	D24/199
D293,470 S *	12/1987	Adler	D24/140
D299,750 S *	2/1989	Garcia	D24/199
D369,413 S *	4/1996	Lodewyck, Jr.	D24/199
D370,782 S *	6/1996	Millner	D24/146
D388,515 S *	12/1997	Bookwalter	D24/138
D389,242 S *	1/1998	Bookwalter	D24/138
D389,913 S *	1/1998	Bookwalter	D24/138
D404,132 S *	1/1999	Hart	D24/199
D518,175 S *	3/2006	Hardin, Jr.	D24/133
D725,694 S *	3/2015	Florey	F16M 13/022 D16/242
D746,474 S *	12/2015	Koros	D24/128
D749,223 S *	2/2016	Vargas	D24/185
D754,227 S *	4/2016	Parrot	D15/140
D802,041 S *	11/2017	He	D15/199
D814,550 S *	4/2018	Florey	D16/242

D858,777 S *	9/2019	Yancey	D24/184
2017/0066130 A1 *	3/2017	Corkum	B25J 9/1651
2018/0200896 A1 *	7/2018	Boyland	B25J 13/08

OTHER PUBLICATIONS

miniARM® System. Online, published date unknown. Retrieved on Dec. 19, 2019 from URL: <https://www.lsisolutions.com/products/8/miniarm-system/>.*

(Continued)

Primary Examiner — Susan Bennett Hattan

Assistant Examiner — Omeed Agilee

(74) *Attorney, Agent, or Firm* — David J. Gervasi;
Christopher B. Miller

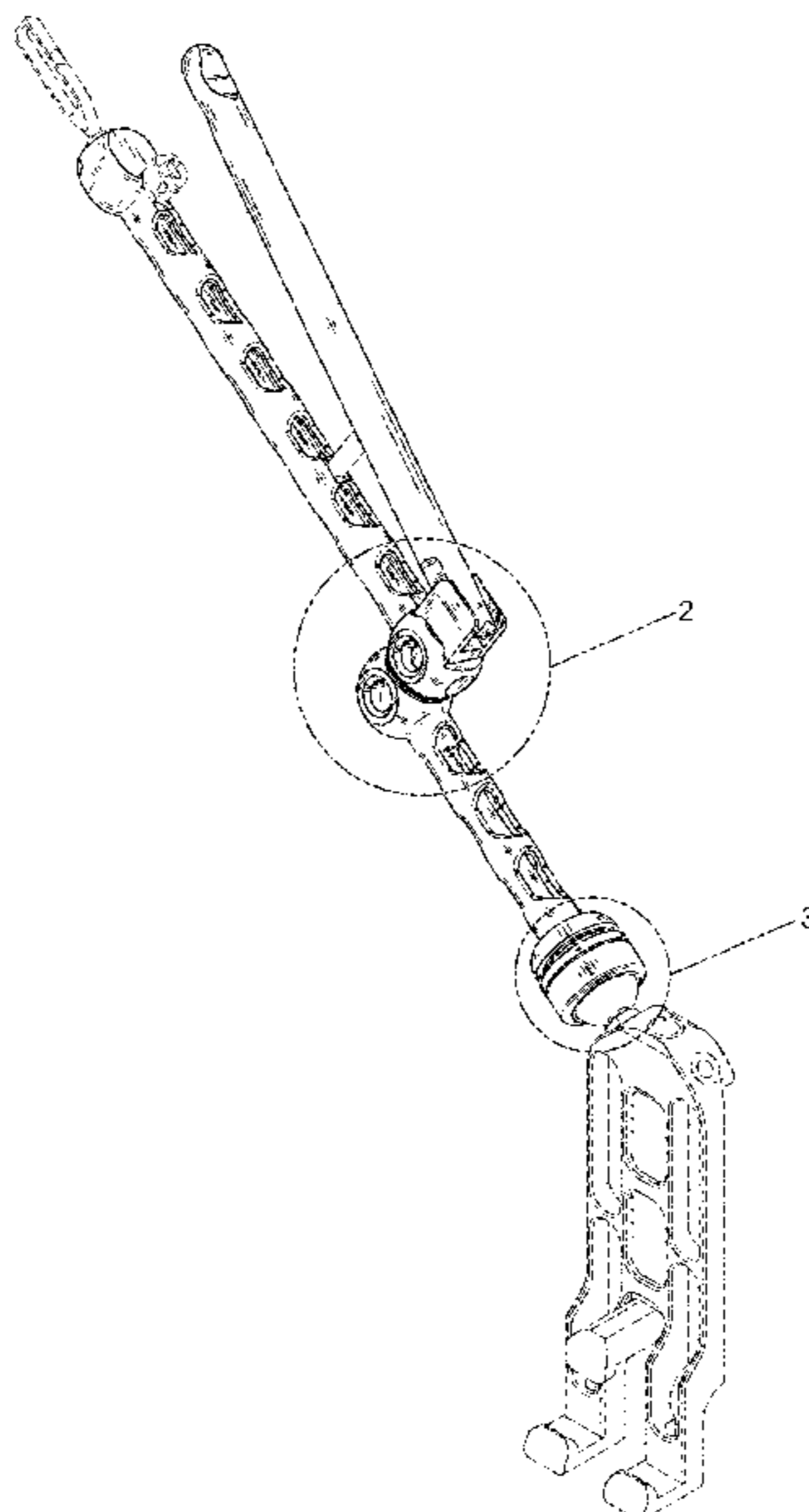
(57) **CLAIM**

The ornamental design for a surgical equipment holder, substantially as shown and described.

DESCRIPTION

FIG. 1 is a perspective view of a surgical equipment holder in accordance with the present invention; FIG. 2 is an enlarged perspective view thereof taken from area 2 circumscribed in FIG. 1; FIG. 3 is an enlarged perspective view thereof taken from area 3 circumscribed in FIG. 1; FIG. 4 is a front view thereof; FIG. 5 is a left side elevational view thereof; FIG. 6 is a right side elevational view thereof; FIG. 7 is a top elevational view thereof; FIG. 8 is a bottom elevational view thereof; and, FIG. 9 is a rear elevational view thereof. The dot-dot-dash broken lines depict boundaries of the enlarged views that form no part of the claimed design. The dashed lines depict portions of the surgical equipment holder that form no part of the claimed design.

1 Claim, 9 Drawing Sheets



(56)

References Cited

OTHER PUBLICATIONS

Jan. 1, 2013 Web Page; <https://www.symmetrysurgical.com>; Bookwalter Laparoscopic Instrument Support Kit, www.symmetrysurgical.com.

Jan. 1, 2018 Web Page; <https://www.thompsonsurgical.com>; Thompson Retractor: Laparoscopic Selection Guide.

Oct. 21, 2018 Web Page; <https://www.ebay.com/itm/Karl-Storz-28172HB-28172UG-Vitom-Endoscopy-Mechanical-Holding-System-/183289174813>; Karl Storz Vitom Endoscopy Mechanical Holding System.

Nov. 12, 2018 Web Page; <https://aamedicalstore.com/stryker-wingman-scope-holder-kit.html>; Stryker Wingman Scope Holder Kit.

Nov. 13, 2018 Web Page; <https://www.dotmed.com/listing/orthopedic-general/r.-wolf/8175.601/s>; Wolfe Medical Surgical Table Mount and Scope Holder.

Jan. 1, 2019 Web Page; <https://www.fisso.com>; Fisso: Articulated Arms for Medical Applications With Quick Central Fixation.

Jan. 1, 2019 Web Page; <https://www.ironintern.com>; The Iron Intern Mechanical Retractor.

Jan. 1, 2019 Catalog; <https://www.symmetrysurgical.com>; Bookwalter Self-Retaining Retractor Catalog.

Jan. 1, 2010 Product Literature; Unitrac, Retraction and Holding System for Open for Open and Minimally Invasive Surgery.

Jan. 1, 2019 Product Literature; <https://www.mediflex.com>; Mediflex Surgical Products: Flexarm Plus Holding & Positioning Devices.

* cited by examiner

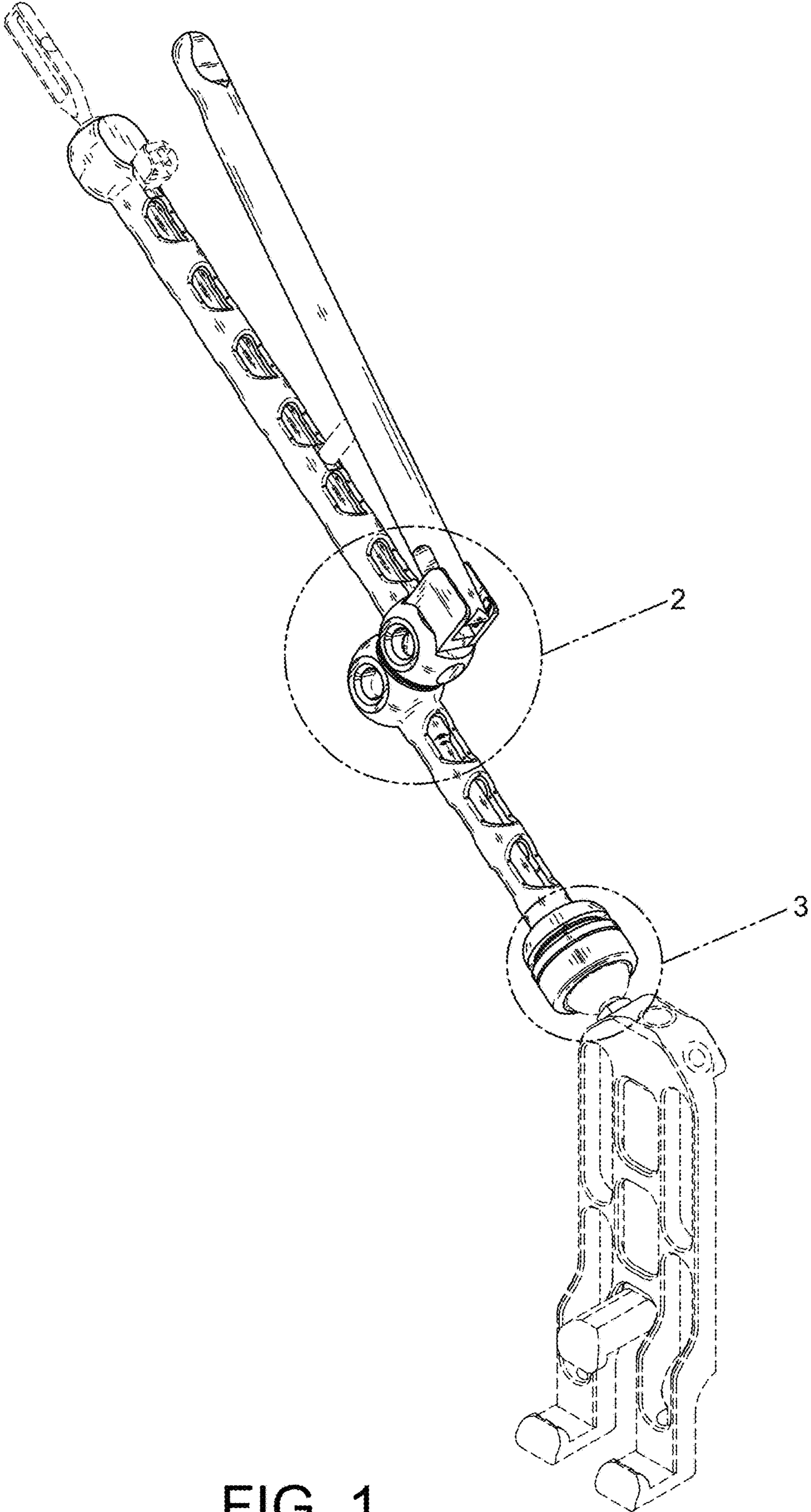


FIG. 1

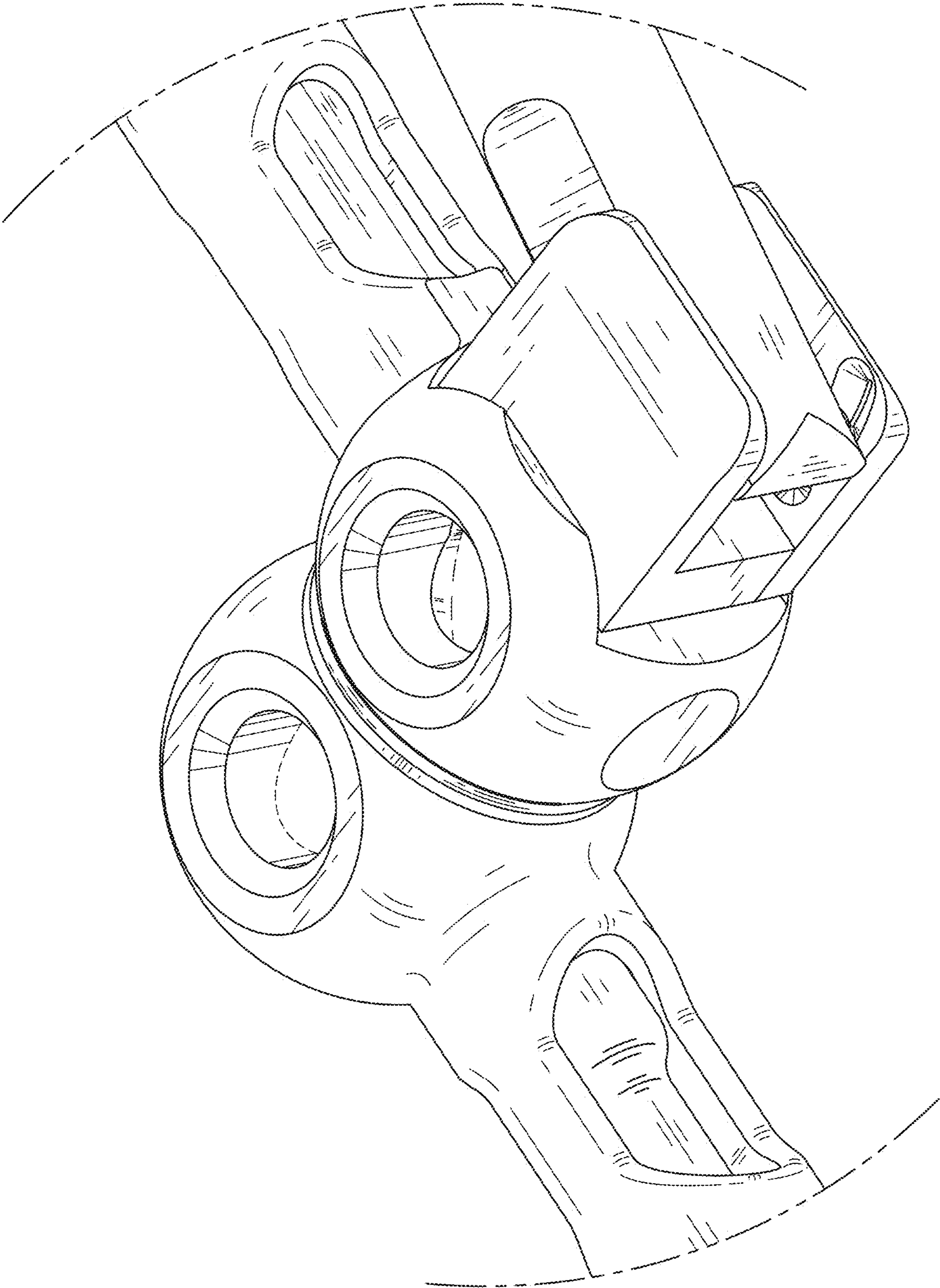


FIG. 2

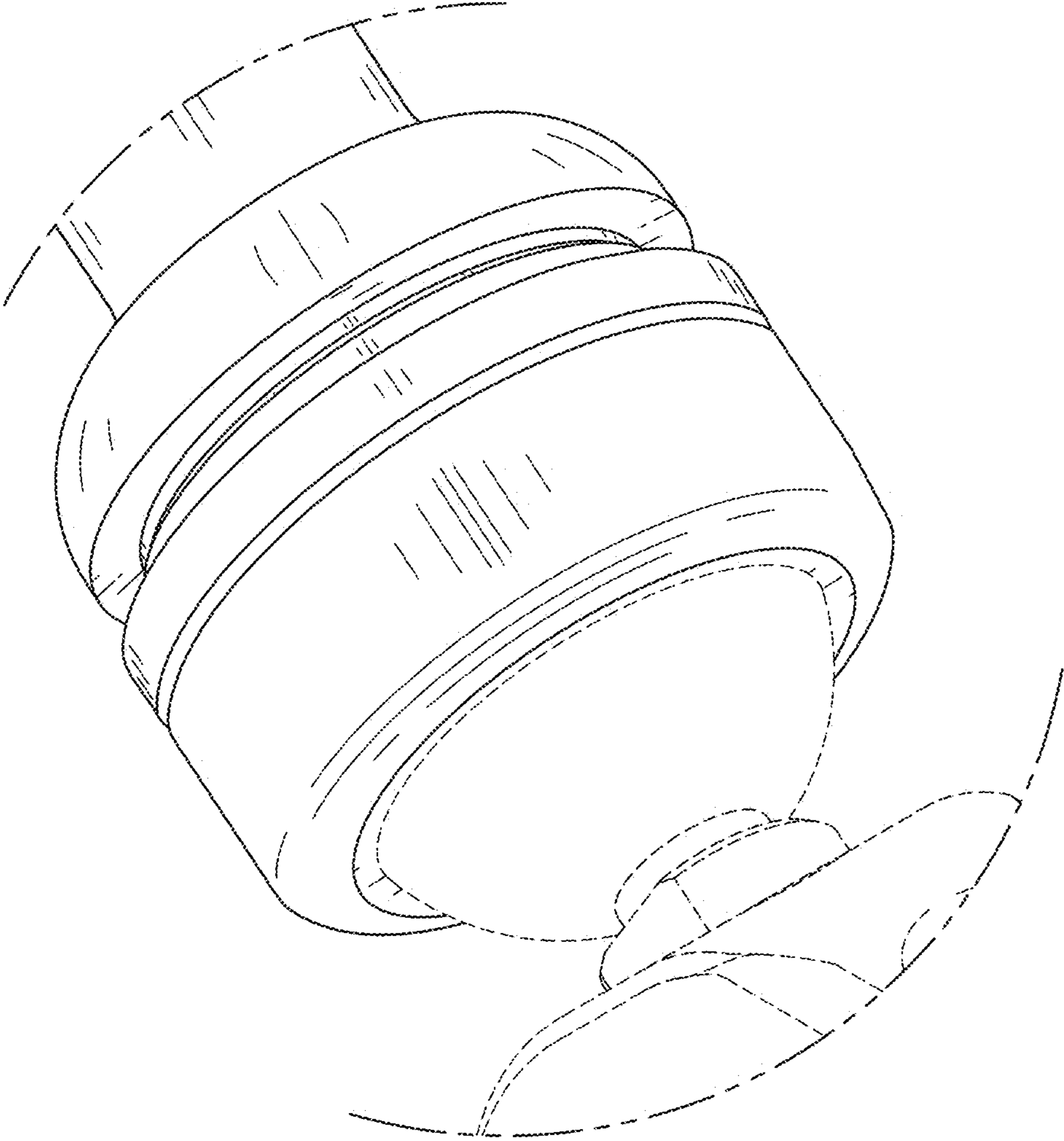


FIG. 3

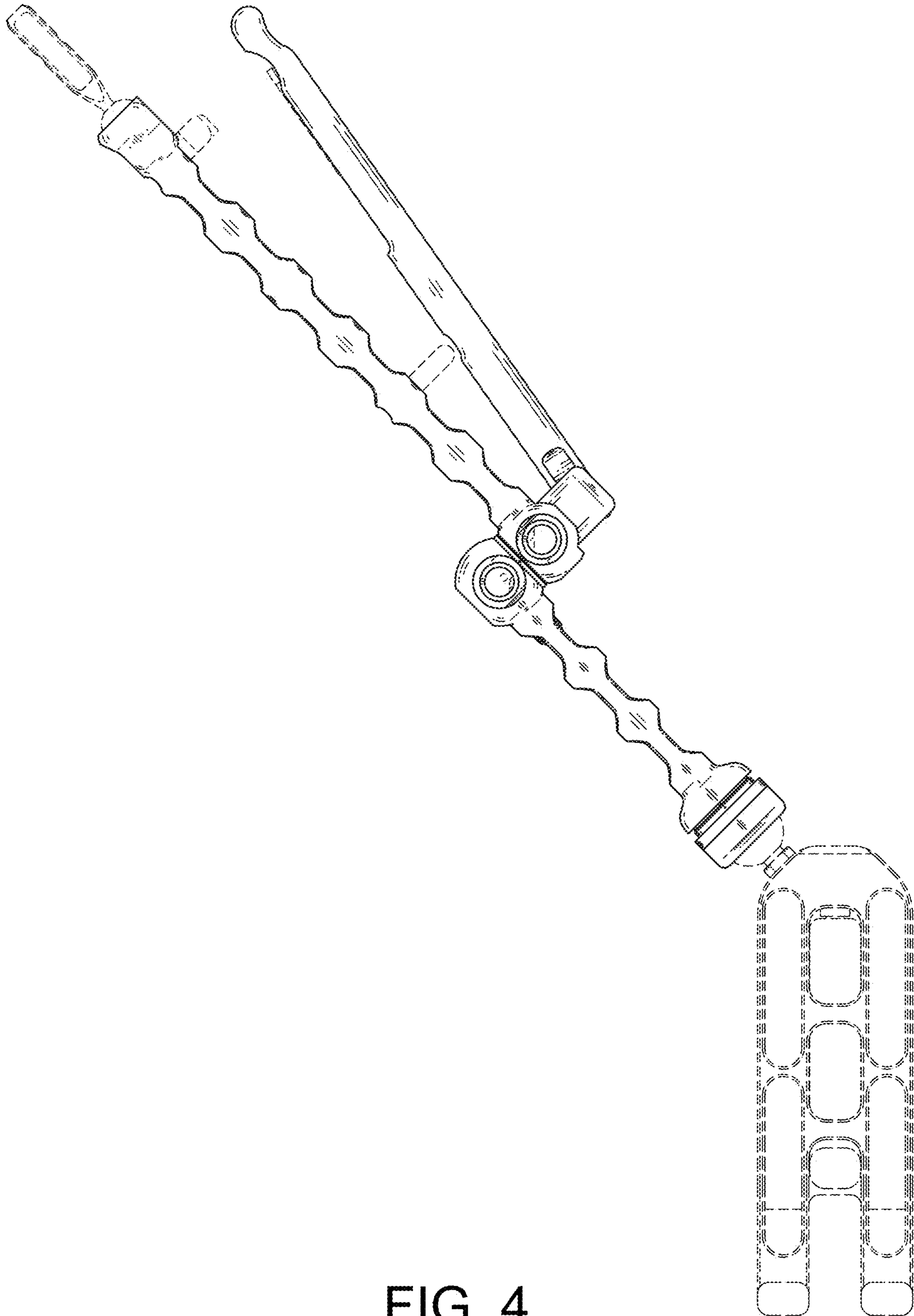


FIG. 4

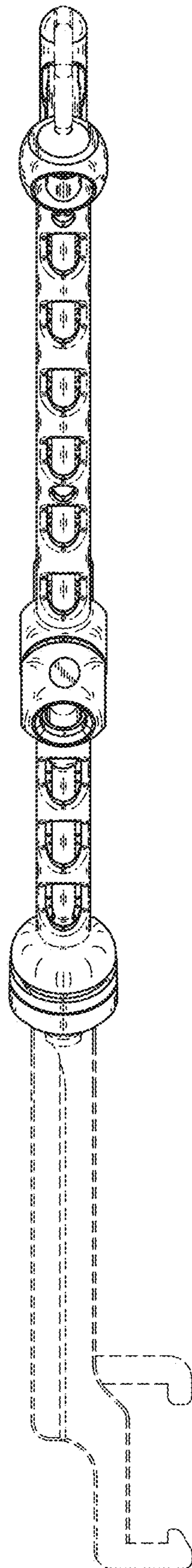


FIG. 5

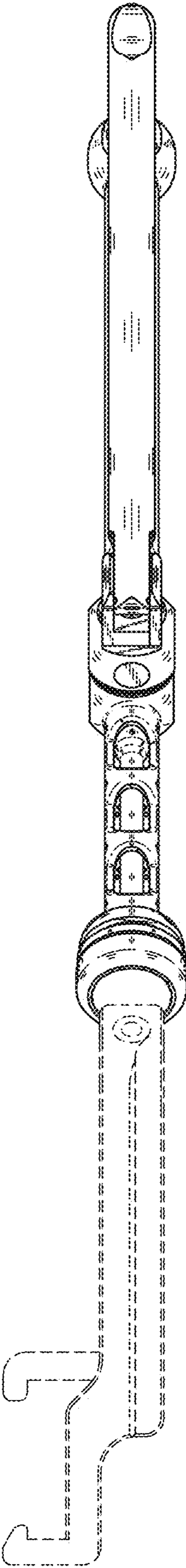


FIG. 6

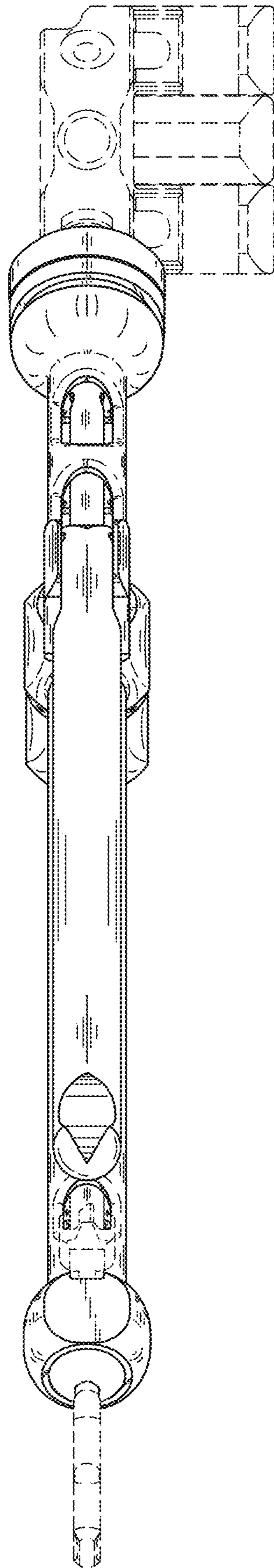


FIG. 7

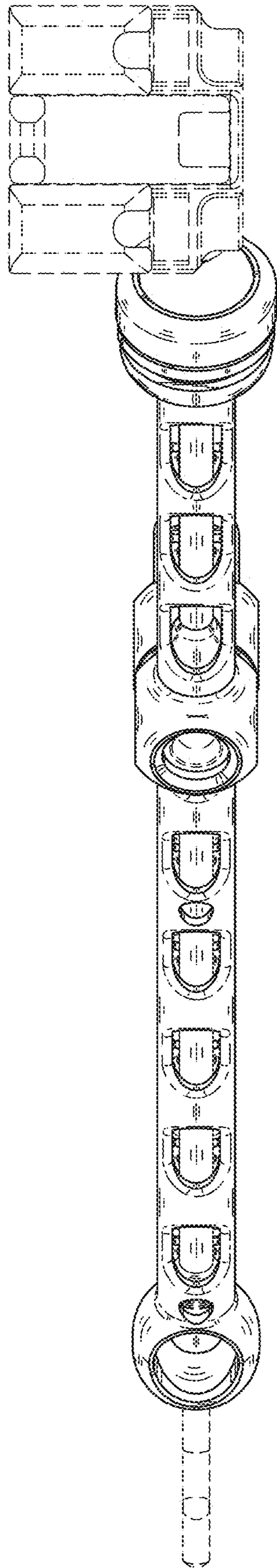


FIG. 8

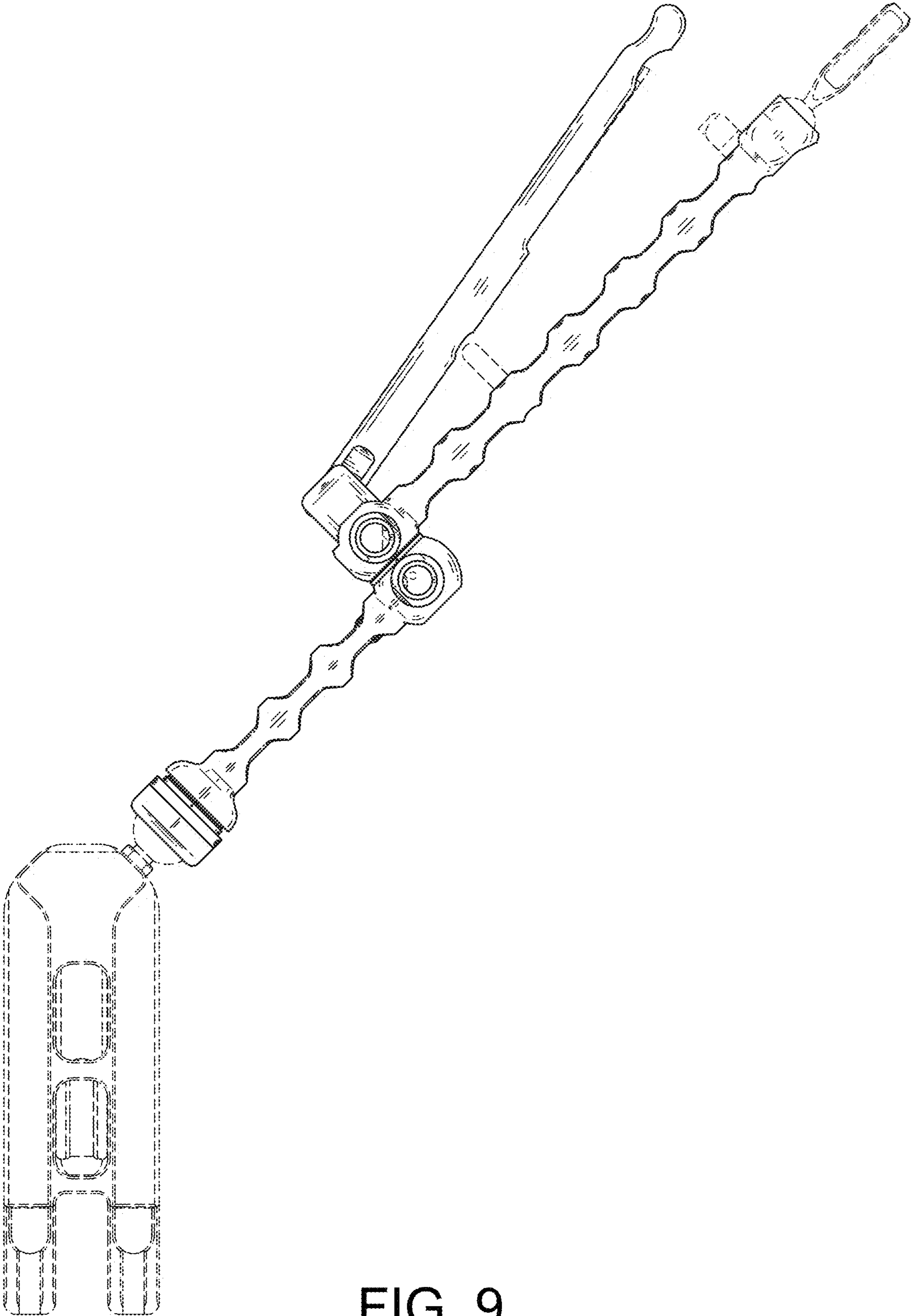


FIG. 9