



US00D898191S

(12) **United States Design Patent** (10) **Patent No.:** **US D898,191 S**
Nicholas et al. (45) **Date of Patent:** **** Oct. 6, 2020**

(54) **CAP OF AN INJECTION DEVICE**

(71) Applicant: **Sanofi-Aventis Deutschland GMBH**,
Frankfurt am Main (DE)

(72) Inventors: **Courtney Nicholas**, East Greenbush,
NY (US); **Scott Barton**, East
Greenbush, NY (US); **Bart Burgess**,
East Greenbush, NY (US); **Alexei**
Goraltchouk, Cambridge, MA (US)

(73) Assignee: **Sanofi-Aventis Deutschland GMBH**,
Frankfurt am Main (DE)

(**) Term: **15 Years**

(21) Appl. No.: **29/645,291**

(22) Filed: **Apr. 25, 2018**

(30) **Foreign Application Priority Data**

Oct. 25, 2017 (EM) 004420388

(51) **LOC (12) Cl.** **24-02**

(52) **U.S. Cl.**
USPC **D24/130**

(58) **Field of Classification Search**
USPC D24/127-131, 112-114, 133, 186;
606/181, 185; 604/264, 272, 115, 232,
604/187, 158, 164.08, 192, 263, 163, 181,
604/184, 198, 227; 600/101, 139, 143;
128/200.24, 207.14, 207.15;
D19/115-123, 177, 193
CPC A61M 5/3156; A61M 5/31591; A61M
5/3155; A61M 5/3157; A61M 5/24;
A61M 5/31501; A61M 5/31551; A61M
5/31585; A61M 2005/2407; A61M
2005/2492; A61M 2205/581; A61M
2205/582

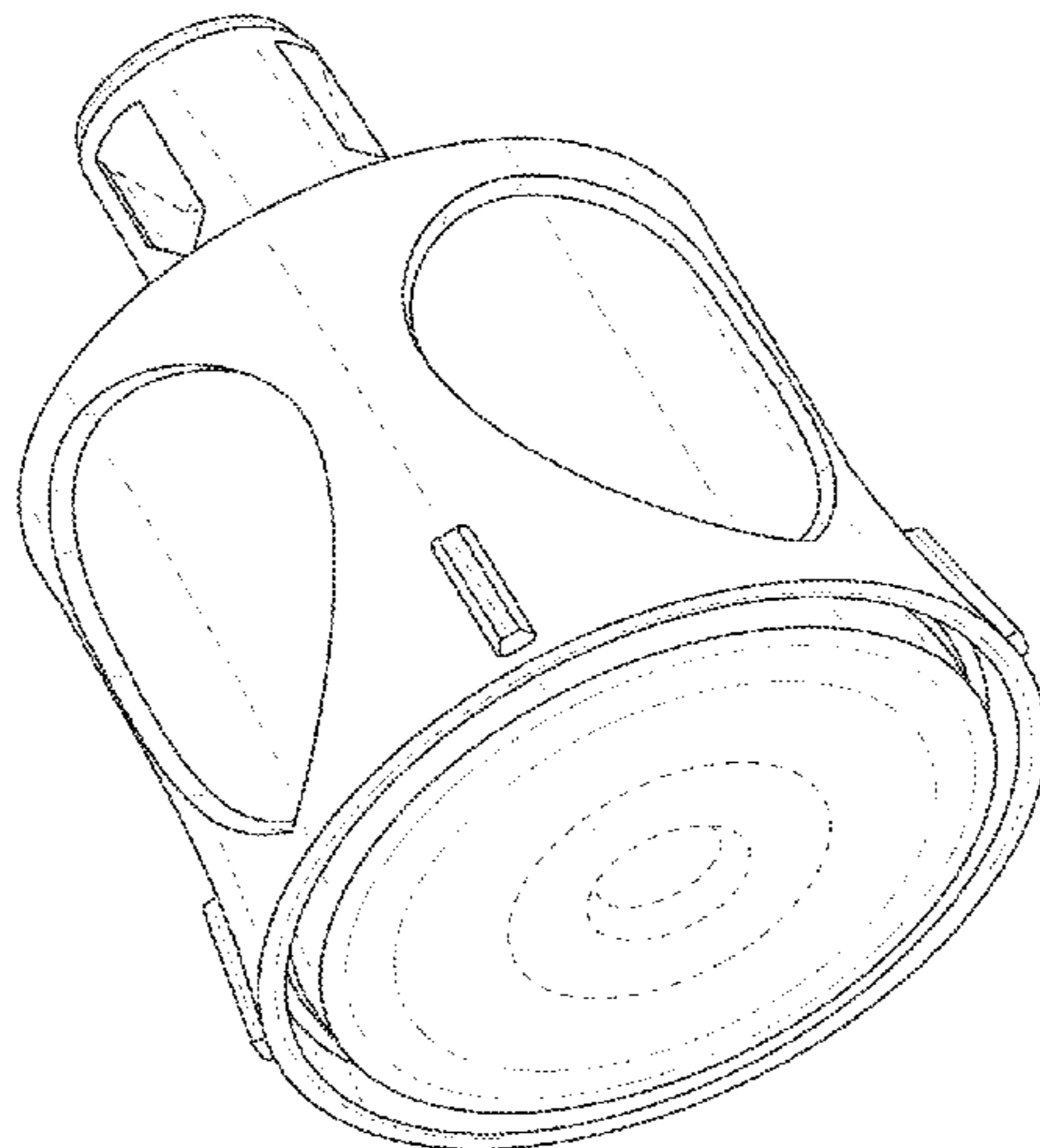
See application file for complete search history.

5,147,328 A 9/1992 Dragosits et al.
5,336,197 A 8/1994 Kuracina et al.
5,509,903 A 4/1996 Grendahl et al.
5,519,931 A 5/1996 Reich
5,554,127 A 9/1996 Crouther et al.
5,554,133 A 9/1996 Haffner et al.
D378,233 S * 2/1997 Warner D24/130
5,716,346 A 2/1998 Farris
5,843,036 A 12/1998 Olive et al.
5,997,513 A 12/1999 Smith et al.
D426,299 S 6/2000 Bydlon et al.
D427,308 S * 6/2000 Zinger D24/129
D428,651 S 7/2000 Andersson et al.
6,206,855 B1 3/2001 Kunkel et al.
D462,760 S 9/2002 Ahlgrim et al.
D479,599 S 9/2003 Bainton
D479,601 S 9/2003 Tyce
D479,602 S 9/2003 Bainton
D479,603 S 9/2003 Tyce
D479,747 S 9/2003 Bainton
D479,748 S 9/2003 Tyce
D481,120 S 10/2003 Hawley et al.
D486,224 S * 2/2004 Gay, III D24/109
D486,225 S * 2/2004 Gay, III D24/109
D488,864 S 4/2004 Fago et al.
D490,149 S 5/2004 Hawley et al.
D490,150 S 5/2004 Hawley et al.
D490,151 S 5/2004 Hawley et al.
D492,027 S 6/2004 Tyce et al.
D492,405 S 6/2004 Bainton
D493,526 S 7/2004 Hwang
D495,416 S * 8/2004 Dimeo A61J 1/2096
D24/108
D24/112
D496,101 S * 9/2004 Davison
7,189,217 B2 3/2007 Chang et al.
7,307,265 B2 12/2007 Polsinelli et al.
D561,894 S 2/2008 Hudson
7,338,474 B2 3/2008 Kirk
7,414,254 B2 8/2008 Polsinelli et al.
D581,047 S 11/2008 Koshidaka
7,449,012 B2 11/2008 Young et al.
D598,539 S 8/2009 Tyce
D599,008 S 8/2009 Tyce
D599,009 S 8/2009 Tyce
D599,010 S 8/2009 Tyce
D599,011 S 8/2009 Tyce
D600,794 S 9/2009 Tyce
D600,795 S 9/2009 Tyce
D606,649 S 12/2009 Tyce
D606,650 S 12/2009 Tyce
7,635,348 B2 12/2009 Raven et al.
D608,442 S 1/2010 Tyce
D610,251 S 2/2010 Tyce

(56) **References Cited**

U.S. PATENT DOCUMENTS

4,046,145 A 9/1977 Choksi et al.
4,840,185 A 6/1989 Hernandez
4,900,309 A 2/1990 Netherton et al.
4,986,817 A 1/1991 Code



US D898,191 S

D610,252 S	2/2010	Tyce		9,586,010 B2	3/2017	Mesa et al.
D610,676 S	2/2010	Tyce		9,604,004 B2	3/2017	Jakobsen
D612,486 S	3/2010	Van der Stappen		D787,052 S *	5/2017	Heinz D24/130
7,682,155 B2	3/2010	Raven et al.		D794,781 S *	8/2017	Gilbert D24/129
D616,984 S *	6/2010	Gilboa	D24/129	D804,023 S *	11/2017	Huang D24/130
D619,247 S	7/2010	Loe, Jr.		9,844,629 B2 *	12/2017	Cronenberg A61M 5/50
D623,738 S *	9/2010	Van der Stappen	D24/130	D809,656 S *	2/2018	Lau D24/129
7,794,432 B2	9/2010	Young et al.		D810,282 S	2/2018	Ratjen
D629,895 S *	12/2010	Demleitner	D24/133	9,964,195 B2 *	5/2018	Edler F16H 48/08
7,846,136 B2	12/2010	Witowski		D820,441 S *	6/2018	Ketelhohn A61B 17/22012
D630,732 S *	1/2011	Lev	D24/129			D24/127
7,905,352 B2	3/2011	Wyrick		D822,198 S *	7/2018	Stonecipher D24/113
D641,077 S	7/2011	Sanders et al.		D831,198 S *	10/2018	Ross D24/127
D641,467 S *	7/2011	Amann	D24/129	D834,187 S *	11/2018	Ryan A61M 39/20
D651,305 S	12/2011	Hawley et al.				D24/130
D660,421 S *	5/2012	Miller	D24/133	D835,267 S *	12/2018	Gilbert D24/129
8,269,201 B2	9/2012	Fago et al.		2003/0195474 A1 *	10/2003	Down A61M 37/0015
D669,980 S *	10/2012	Lev	D24/129			604/187
D671,638 S	11/2012	Young et al.		2004/0116875 A1	6/2004	Fischer et al.
D676,957 S	2/2013	Schneider et al.		2007/0039156 A1	2/2007	Reich
8,376,998 B2	2/2013	Daily et al.		2007/0113861 A1	5/2007	Knudsen et al.
D677,380 S	3/2013	Julian et al.		2008/0009808 A1	1/2008	Berler
D681,230 S *	4/2013	Mosler	D24/129	2008/0269692 A1	10/2008	James et al.
D688,790 S	8/2013	Guarraia et al.		2008/0289984 A1	11/2008	Raven et al.
D688,791 S	8/2013	Guarraia et al.		2012/0232491 A1 *	9/2012	Jennings A61M 5/3202
D688,793 S	8/2013	Guarraia et al.				604/192
D690,416 S	9/2013	Cappello et al.		2013/0030375 A1	1/2013	Daily et al.
8,529,510 B2	9/2013	Giambattista et al.		2013/0030381 A1 *	1/2013	Langley A61M 5/24
D692,129 S	10/2013	Dubuc et al.				604/224
D694,879 S	12/2013	Julian et al.		2013/0041328 A1	2/2013	Daniel
D695,892 S	12/2013	Cappello et al.		2013/0041347 A1	2/2013	Daniel
D696,397 S	12/2013	Guarraia et al.		2013/0281934 A1	10/2013	Wilmot et al.
D696,771 S	12/2013	Schneider et al.		2014/0358037 A1	12/2014	Crawford et al.
D696,773 S	12/2013	Schneider et al.		2015/0011944 A1	1/2015	Young et al.
D696,775 S	12/2013	Guarraia et al.		2015/0045742 A1	2/2015	Cheung
D697,205 S	1/2014	Schneider et al.		2015/0051580 A1	2/2015	Shain et al.
8,628,495 B2 *	1/2014	Horton	A61M 5/1452	2015/0065960 A1	3/2015	Osman
			604/151	2015/0073383 A1	3/2015	Wilmot et al.
D703,314 S	4/2014	Schneider et al.		2015/0080807 A1	3/2015	Schneider et al.
D707,351 S	6/2014	Kunze		2015/0283372 A1 *	10/2015	Maritan A61M 39/10
D707,352 S	6/2014	Liu et al.				604/187
8,801,679 B2	8/2014	Iio et al.		2015/0352278 A1	12/2015	Morita et al.
8,821,451 B2	9/2014	Daniel		2015/0374918 A1	12/2015	Kumar et al.
D714,932 S	10/2014	Hall et al.		2016/0051760 A1	2/2016	Krell et al.
D715,422 S	10/2014	Hall et al.		2016/0051764 A1	2/2016	Dreier et al.
D716,442 S	10/2014	Magome et al.		2016/0067407 A1	3/2016	Daniel
8,864,718 B2	10/2014	Karlsen et al.		2016/0089498 A1	3/2016	Daniel
8,870,827 B2	10/2014	Young et al.		2016/0158460 A1	6/2016	Mesa et al.
D717,428 S	11/2014	Sendatzki et al.		2016/0213845 A1	7/2016	Holmqvist
D717,940 S	11/2014	Magome et al.		2016/0263327 A1	9/2016	Radmer et al.
D717,948 S *	11/2014	Strong	D24/130	2016/0279334 A1	9/2016	Daniel
8,888,713 B2	11/2014	Crawford et al.		2016/0317745 A1	11/2016	Kjeldsen et al.
9,022,982 B2	5/2015	Karlsson et al.		2016/0375196 A1	12/2016	Wilmot et al.
9,078,973 B2	7/2015	Harms et al.		2017/0021110 A1 *	1/2017	Srinivasan A61M 5/002
9,132,236 B2	9/2015	Karlsson et al.		2017/0361027 A1 *	12/2017	Srinivasan A61M 5/347
D740,937 S	10/2015	Schneider et al.		2018/0221588 A1 *	8/2018	Keitel A61M 5/20
9,199,038 B2	12/2015	Daniel		2018/0250473 A1 *	9/2018	Ganzitti A61M 5/31551
9,216,251 B2	12/2015	Daniel		2018/0272075 A1 *	9/2018	Stefanov A61M 5/20
9,220,841 B2	12/2015	Daniel		2018/0311442 A1 *	11/2018	Saussaye A61M 5/2033
9,220,847 B2	12/2015	Holmqvist et al.		2018/0353692 A1	12/2018	Saussaye et al.
D750,236 S *	2/2016	Maurice	D24/129			
9,247,899 B2	2/2016	Shaw et al.				
D750,775 S *	3/2016	Carrel	D24/130			
D752,211 S	3/2016	Sanders et al.				
D755,369 S	5/2016	Sanders et al.				
D755,370 S	5/2016	Riess et al.				
D757,254 S	5/2016	Wohlfahrt et al.				
D757,255 S	5/2016	Wohlfahrt et al.				
D758,567 S	6/2016	Wohlfahrt et al.				
D758,568 S	6/2016	Wohlfahrt et al.				
D758,569 S	6/2016	Wohlfahrt et al.				
D764,657 S	8/2016	Bokelman et al.				
9,468,722 B2	10/2016	Olson				
D773,039 S	11/2016	Sanders et al.				
D773,648 S	12/2016	Wohlfahrt et al.				
D774,641 S	12/2016	Miggels et al.				
D777,907 S	1/2017	Amend Kwasnik et al.				
9,566,380 B1	2/2017	Tcholakian				
D780,909 S	3/2017	Burkett et al.				

FOREIGN PATENT DOCUMENTS

EP	2716318	4/2014
FR	3043562	5/2017
WO	WO 2015/026737	2/2015
WO	WO 2019/006296	1/2019

OTHER PUBLICATIONS

SHL Medical Products Molly Auto Injectors (http://www.shl-group.com/Products_SHLMedical_AutoInjectors_Molly.html), last accessed Jul. 26, 2018.

International Search Report and Written Opinion issued in Application No. PCT/US2018/040282 dated Nov. 13, 2018, 13 pages.

* cited by examiner

Primary Examiner — David G Muller

Assistant Examiner — Nathan M Johnston

(74) *Attorney, Agent, or Firm* — Fish & Richardson P.C.

(57) **CLAIM**

The ornamental design for a cap of an injection device, substantially as shown and described.

DESCRIPTION

FIG. 1 is a perspective view of a cap of an injection device showing our new design;

FIG. 2 is a second perspective view thereof;

FIG. 3 is a front elevation view thereof;

FIG. 4 is a rear elevation view thereof;

FIG. 5 is a side elevation view thereof;

FIG. 6 is a top plan view thereof; and,

FIG. 7 is a bottom plan view thereof.

The broken lines show portions of the design that form no part of the claimed design

1 Claim, 8 Drawing Sheets

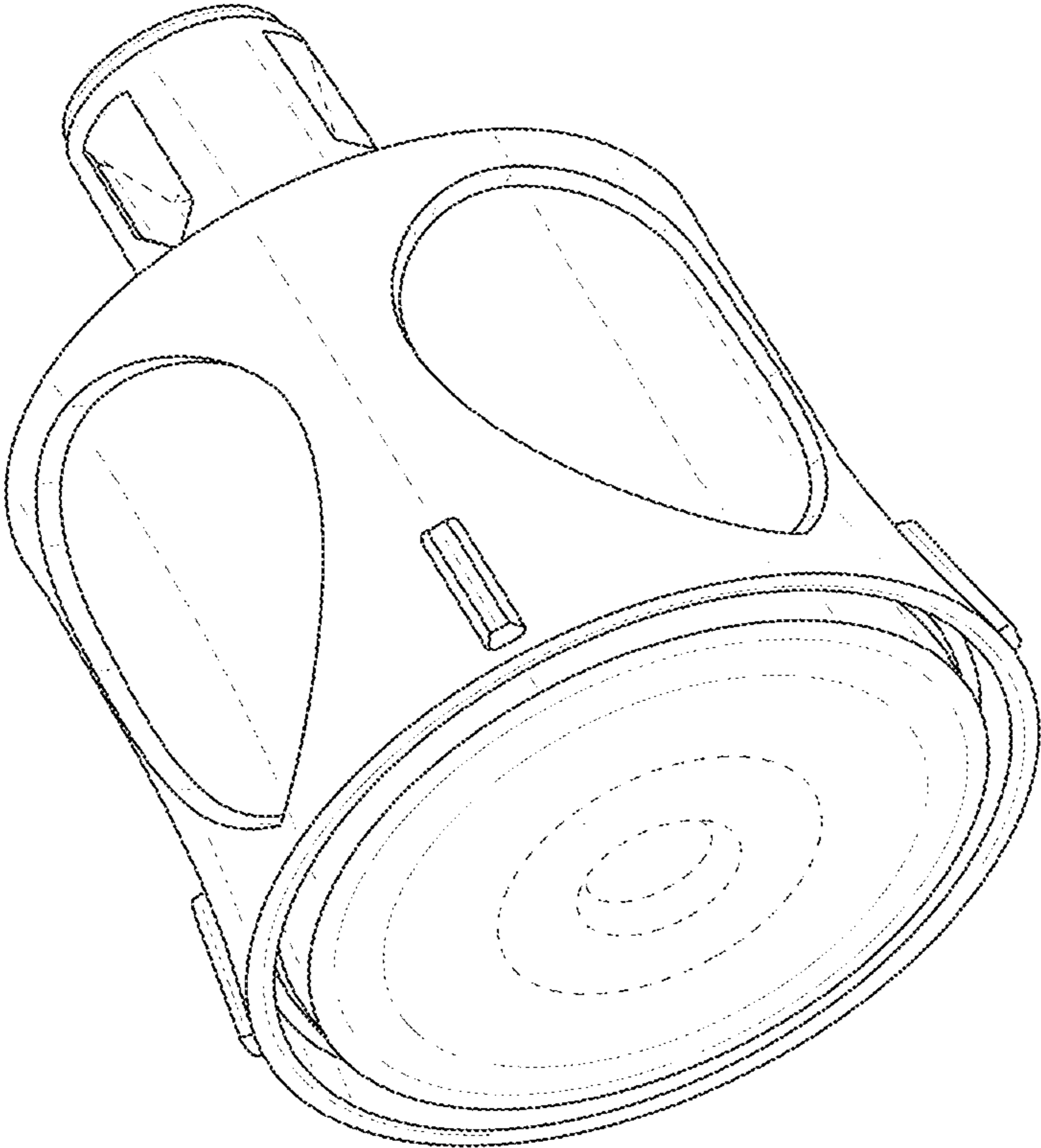


FIG. 1

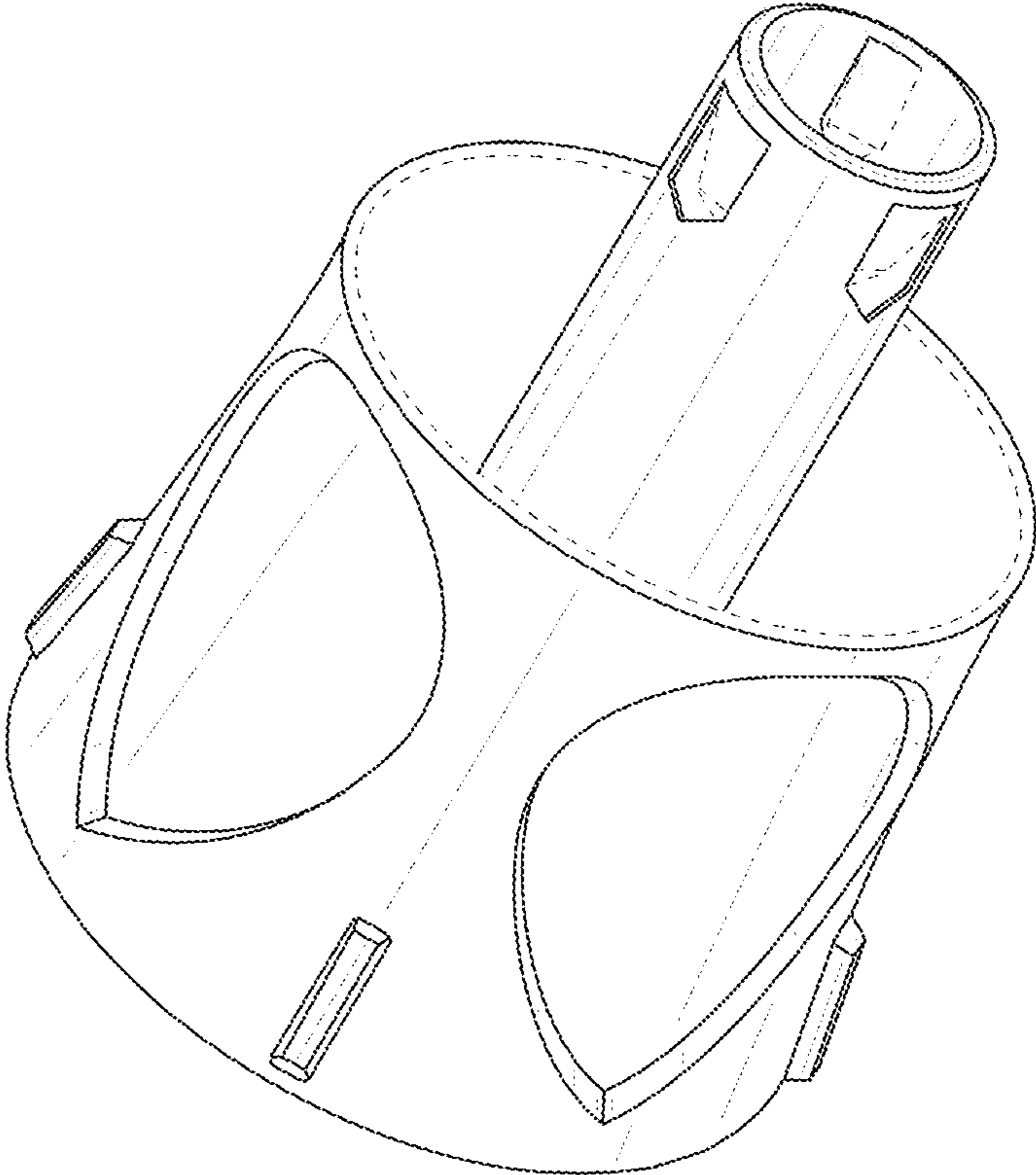


FIG. 2

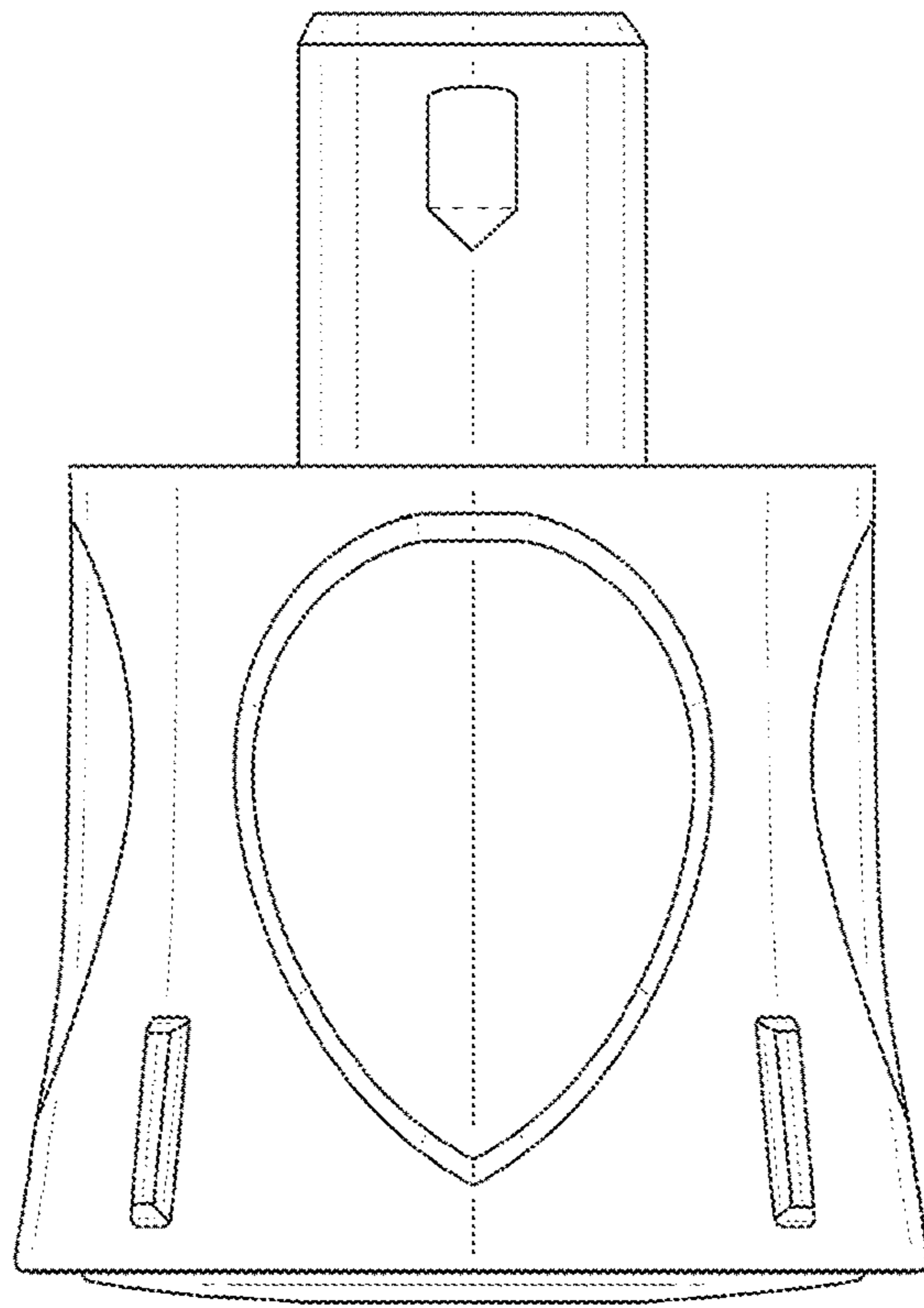


FIG. 3

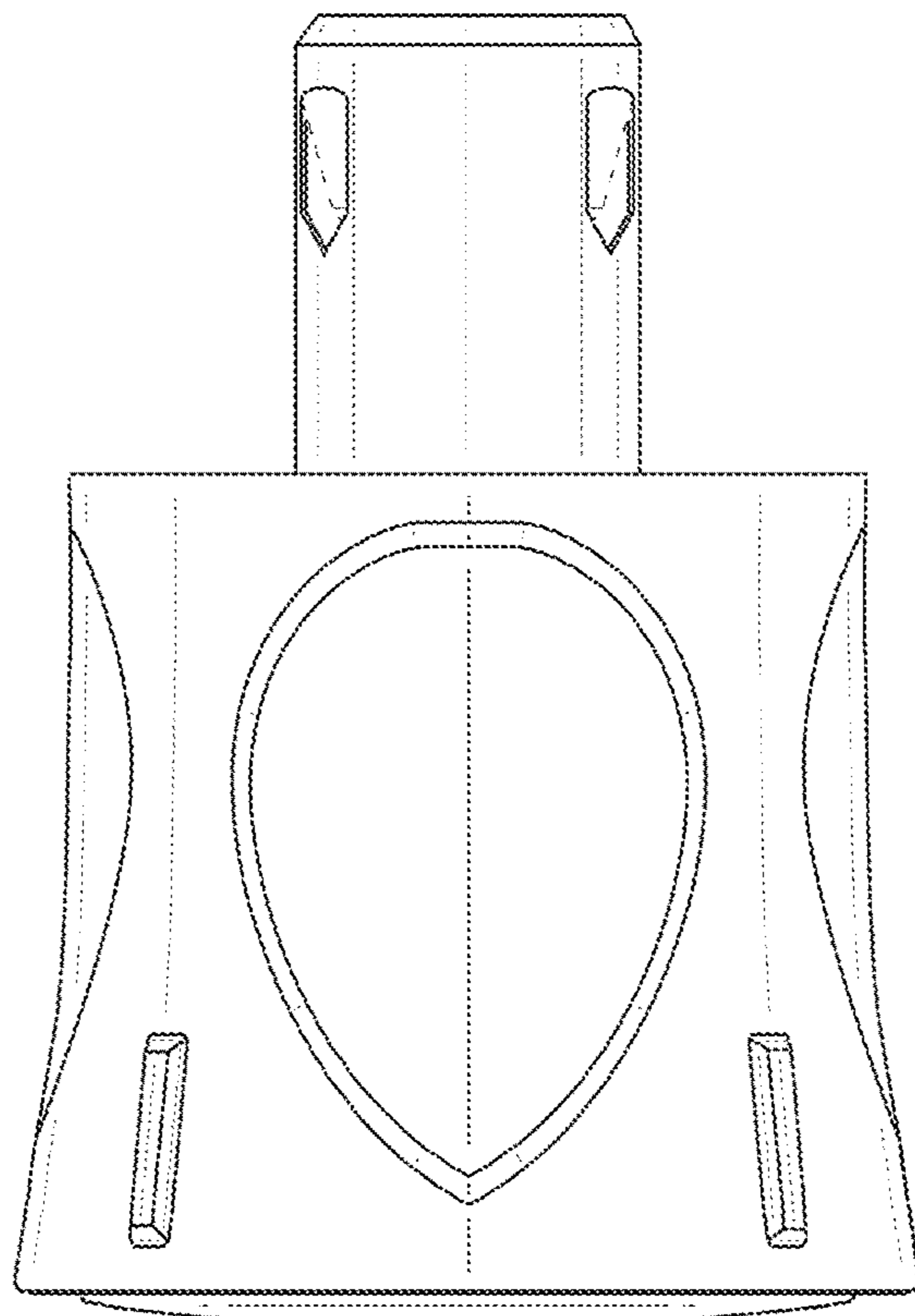


FIG. 4

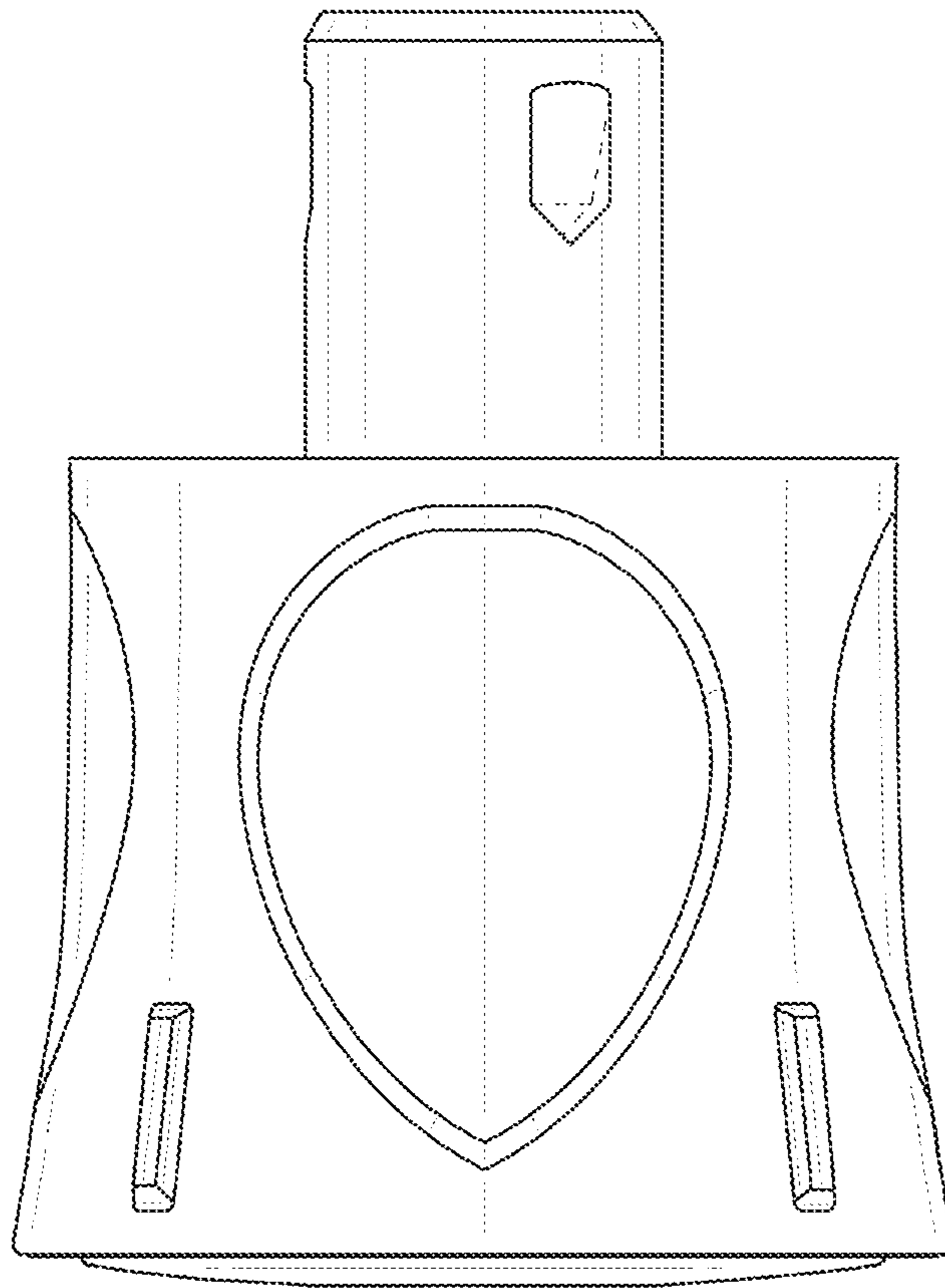


FIG. 5

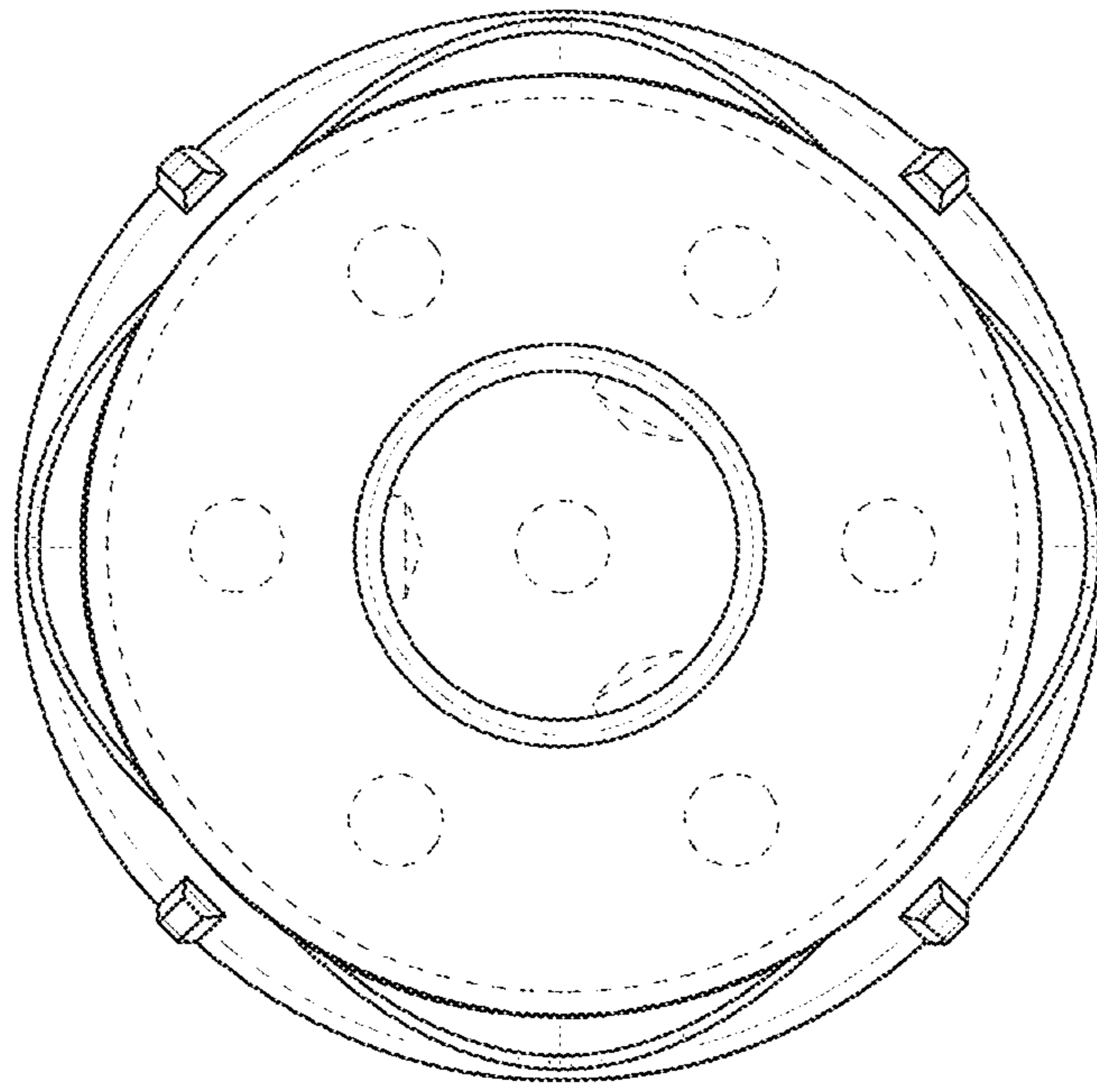


FIG. 6

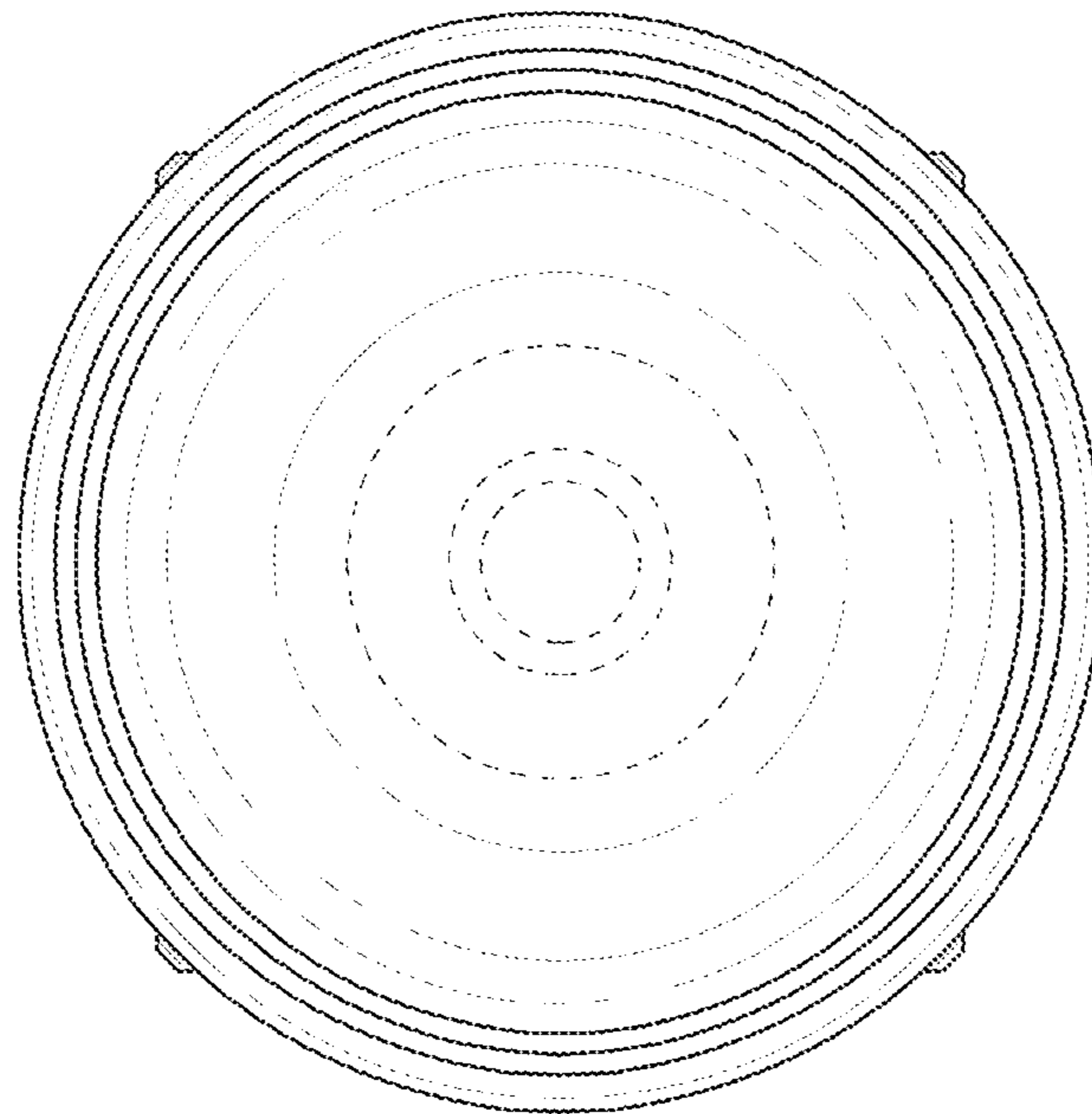


FIG. 7

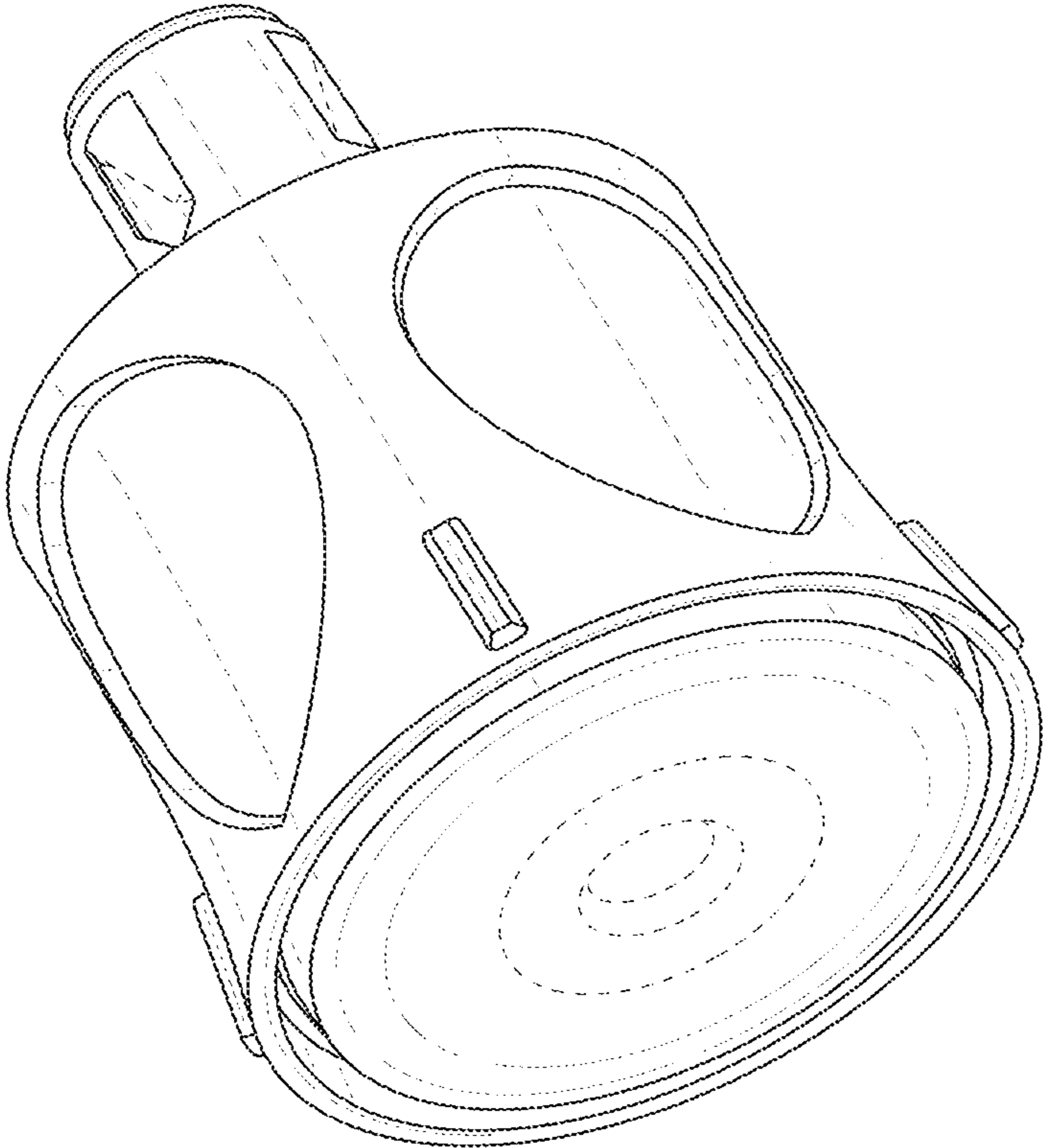


FIG. 8

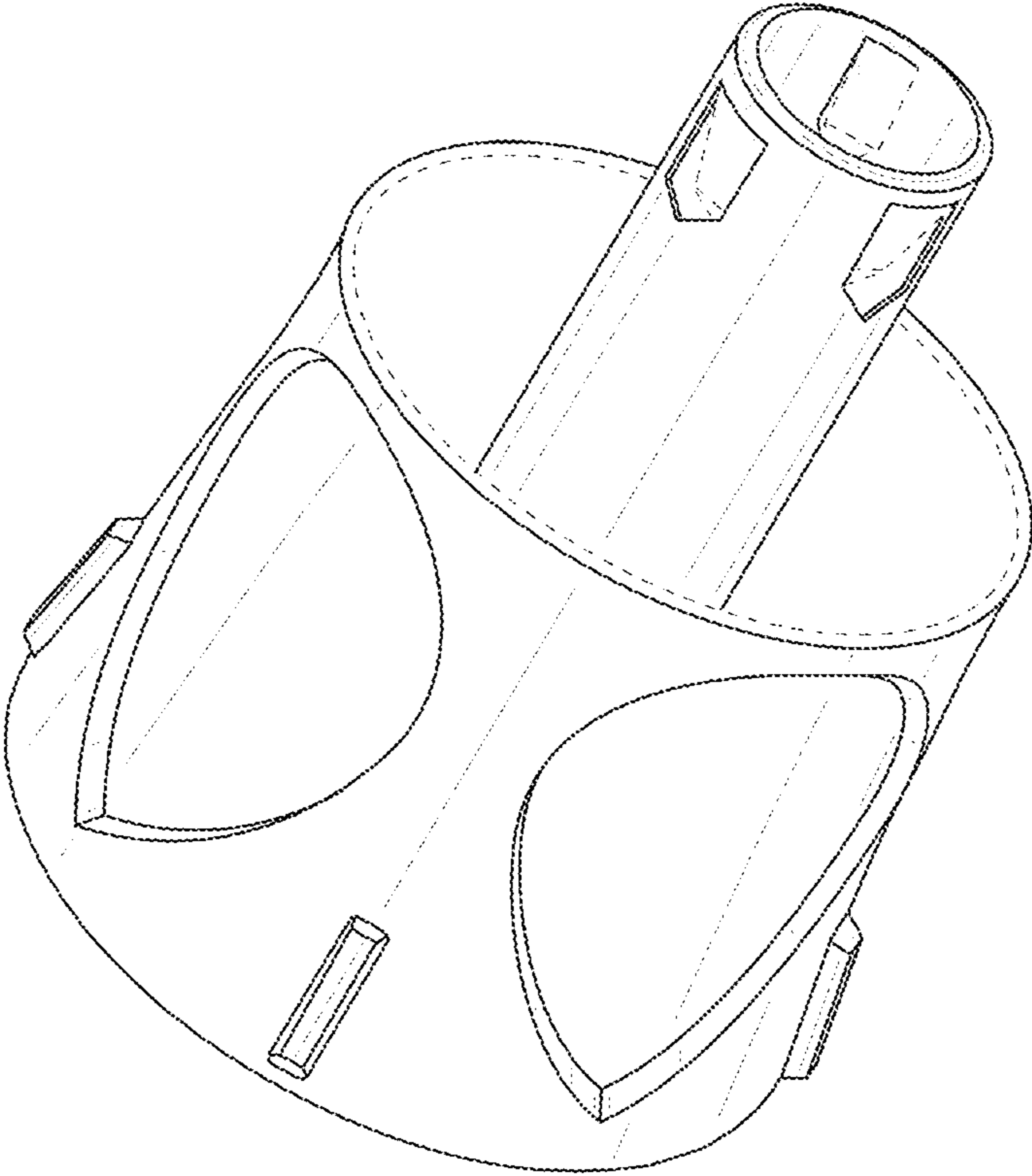


FIG. 9

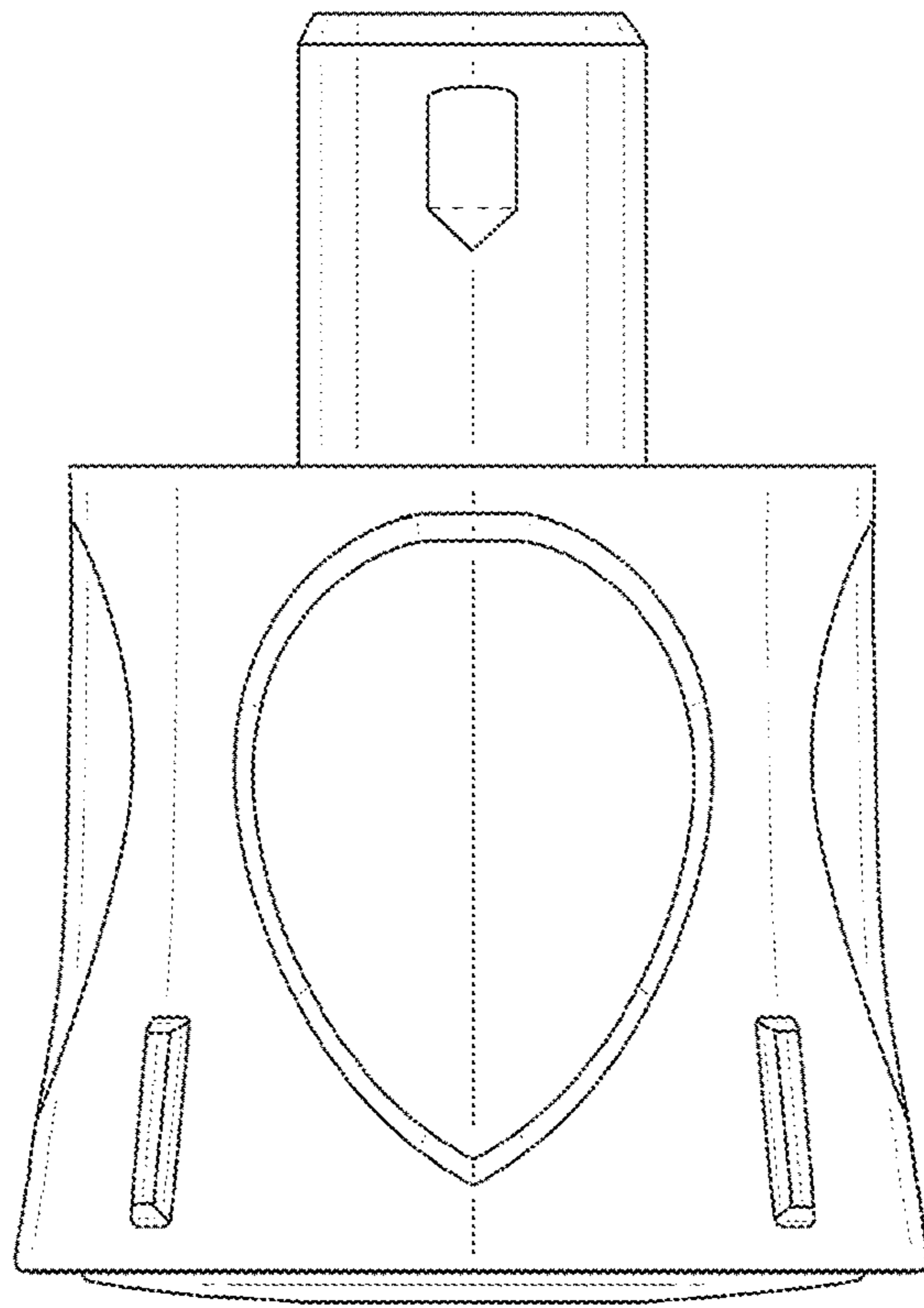


FIG. 10

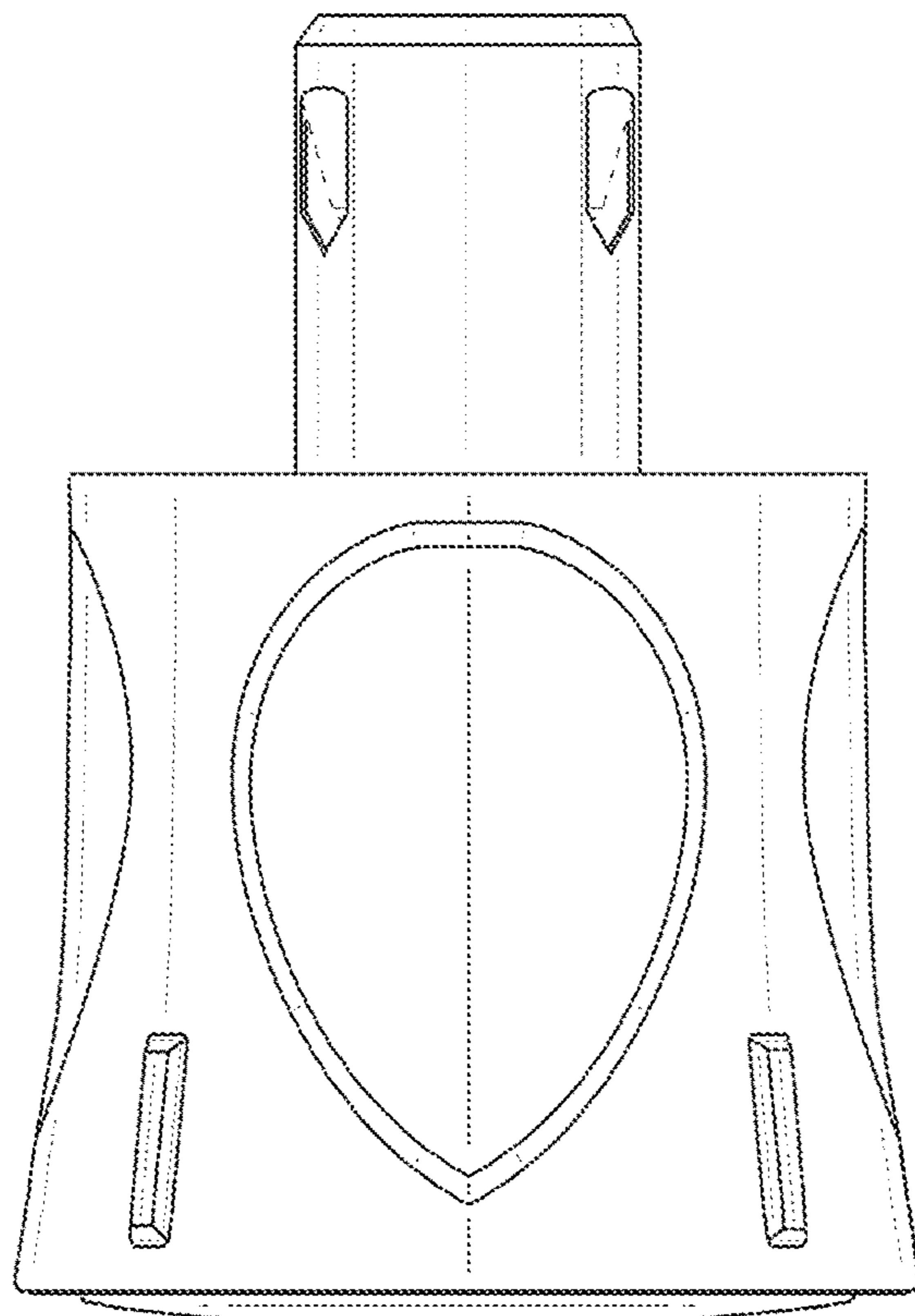


FIG. 11

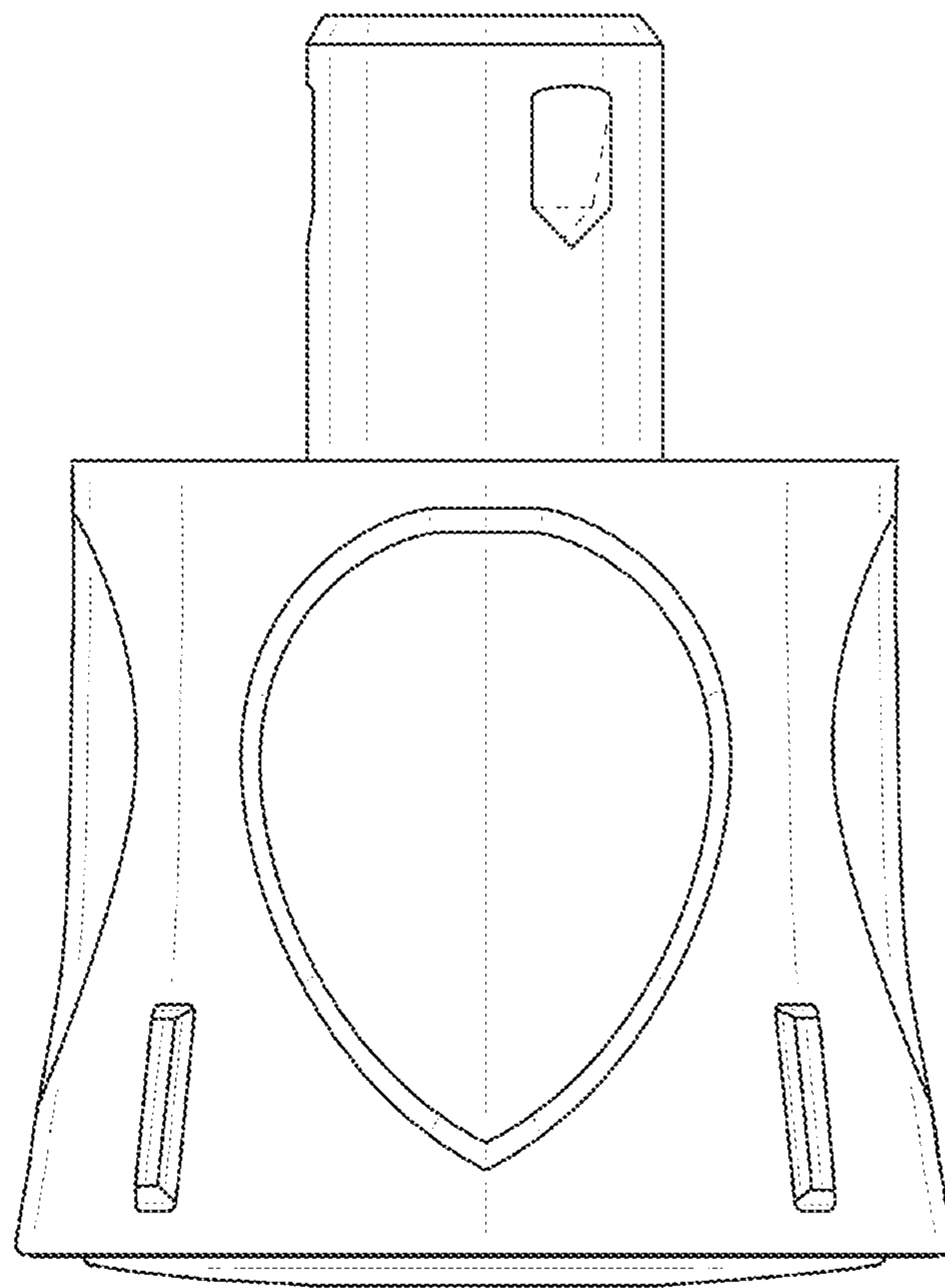


FIG. 12

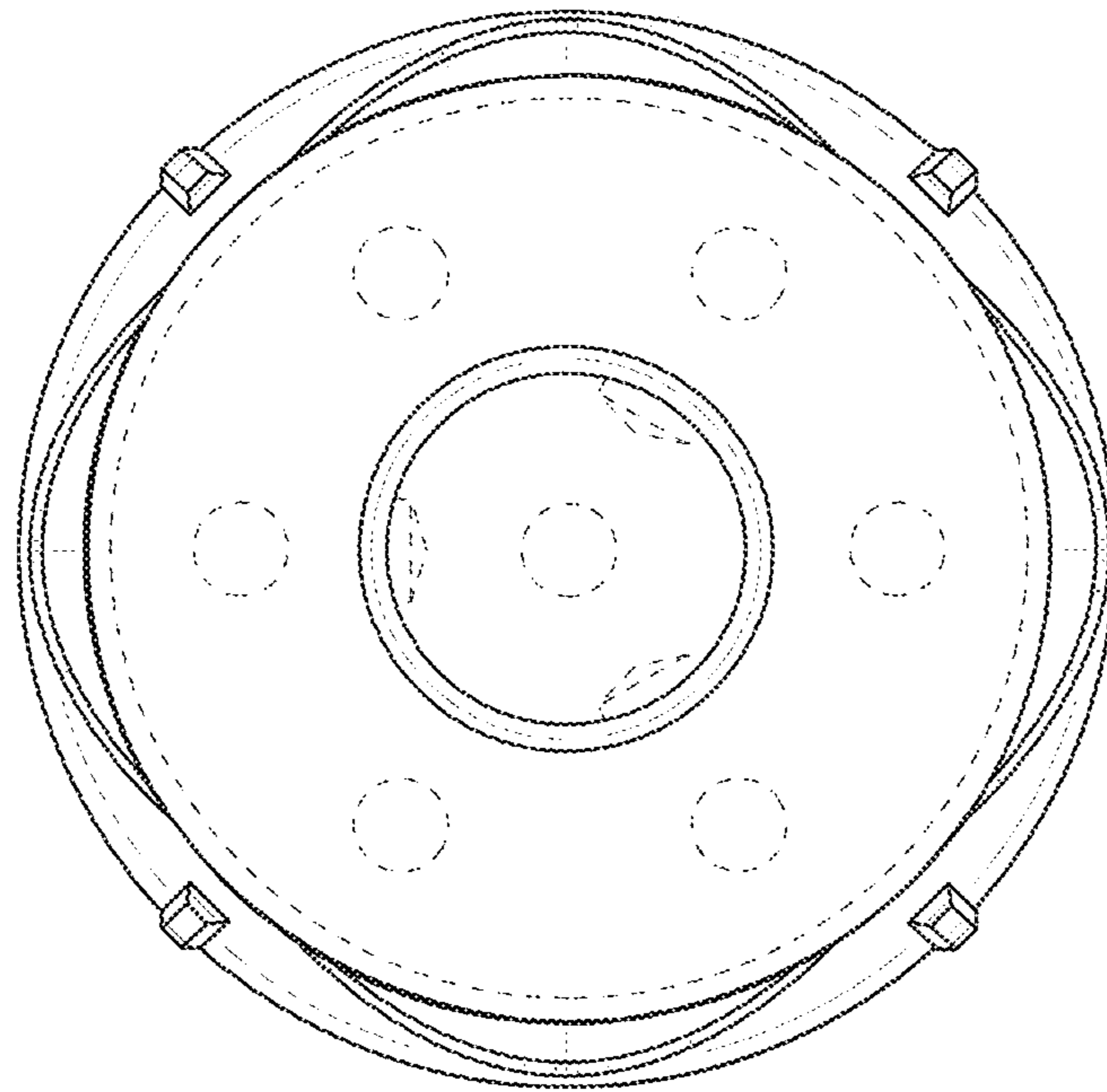


FIG. 13

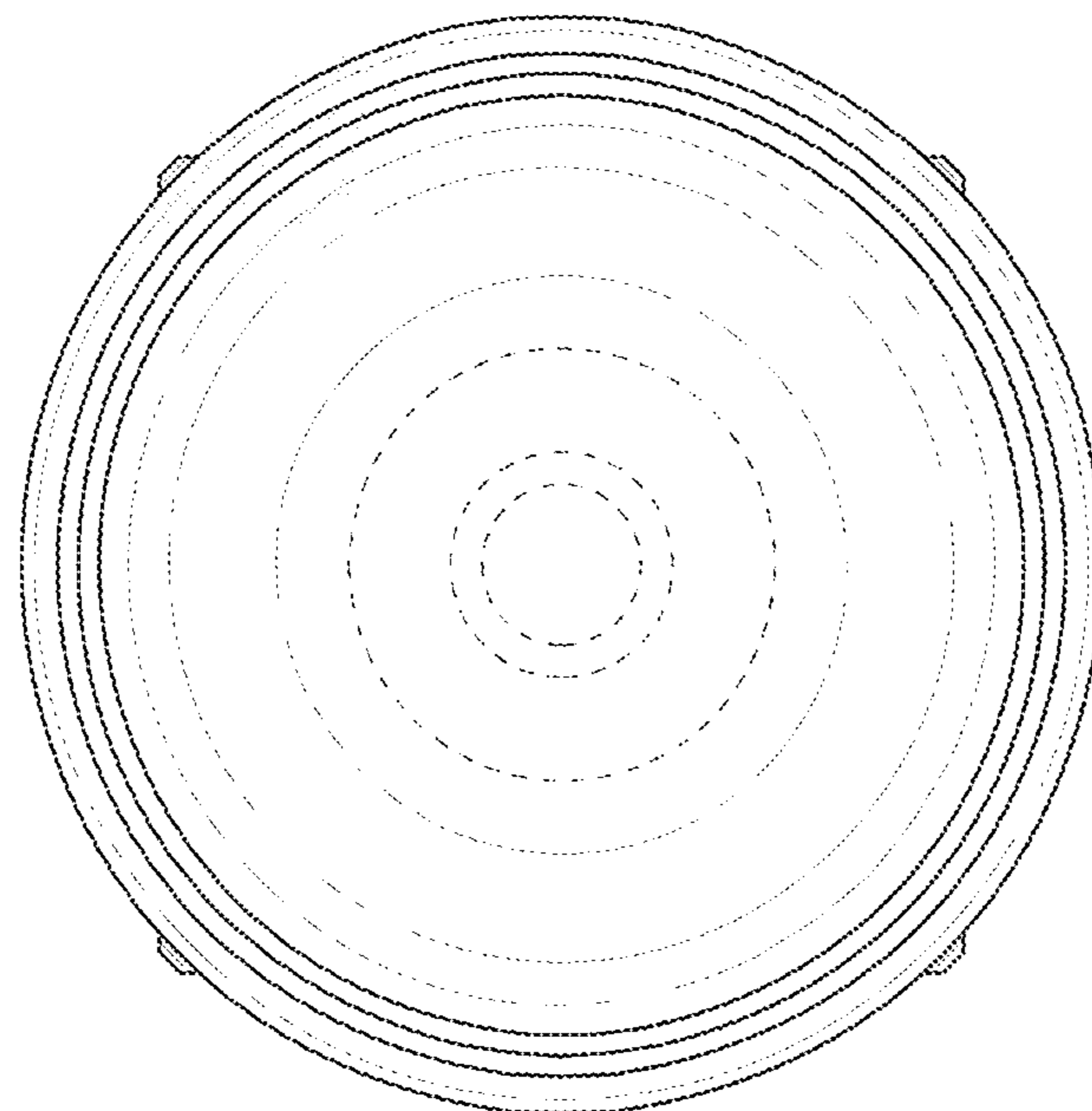


FIG. 14