



US00D898190S

(12) **United States Design Patent** (10) **Patent No.:** **US D898,190 S**
Cohn et al. (45) **Date of Patent:** **** Oct. 6, 2020**

(54) **URINARY DEVICE**
(71) Applicant: **G.R. Dome Medical Ltd**, Tirat Carmel (IL)

4,198,979 A 4/1980 Cooney et al.
4,496,355 A 1/1985 Hall et al.
4,681,572 A 7/1987 Tokarz et al.
(Continued)

(72) Inventors: **Michael Cohn**, Tirat Carmel (IL);
Nuphar Haller, Tirat Carmel (IL);
Sana Yassin, Tirat Carmel (IL); **Amir Laniado**, Tirat Carmel (IL)

FOREIGN PATENT DOCUMENTS

WO WO-2007138628 A1 * 12/2007 A61F 5/4556

(73) Assignee: **TILLA CARE LTD**, Tirat Carmel (IL)

OTHER PUBLICATIONS

Tilla care website; Uricap Female; Jun. 30, 2019; <https://www.tillacare.com/>.*

(**) Term: **15 Years**

(Continued)

(21) Appl. No.: **29/686,340**

Primary Examiner — Nathan M Johnston

(22) Filed: **Apr. 3, 2019**

(74) *Attorney, Agent, or Firm* — Smith, Gambrell & Russell, LLP

Related U.S. Application Data

(63) Continuation of application No. PCT/IL2018/000005, filed on May 27, 2018.

(57) **CLAIM**

(51) **LOC (12) Cl.** **24-02**

The ornamental design for a urinary device, as shown and described.

(52) **U.S. Cl.**
USPC **D24/122**

DESCRIPTION

(58) **Field of Classification Search**
USPC D24/121–123, 112, 207, 216, 224;
604/317, 318, 334; 600/573, 574;
4/144.1–144.4, 459, 460; D9/716, 524,
D9/435, 441, 447, 431; D7/509–511,
D7/309, 305, 900, 538, 539, 321, 700;
D23/274, 302, 295, 309, 200; 229/138
CPC A61F 5/4556; A61F 5/3746; A61F 5/455;
A61F 5/443; A61F 5/4408; A47K 11/12;
A61M 1/00; A61B 10/007; A61G 9/006;
A61G 2200/12

FIG. 1 shows a rear perspective view of an embodiment of the urinary device;
FIG. 2 shows a front elevation view of the urinary device shown in FIG. 1;
FIG. 3 shows a left elevation view of the urinary device shown in FIG. 1;
FIG. 4 shows a right elevation view of the urinary device shown in FIG. 1;
FIG. 5 shows a rear elevation view of the urinary device shown in FIG. 1;
FIG. 6 shows a top plan view of the urinary device shown in FIG. 1; and,
FIG. 7 shows a bottom plan view of the urinary device shown in FIG. 1.
Details shown in broken lines illustrate portions of the urinary device that form no part of the claimed design.

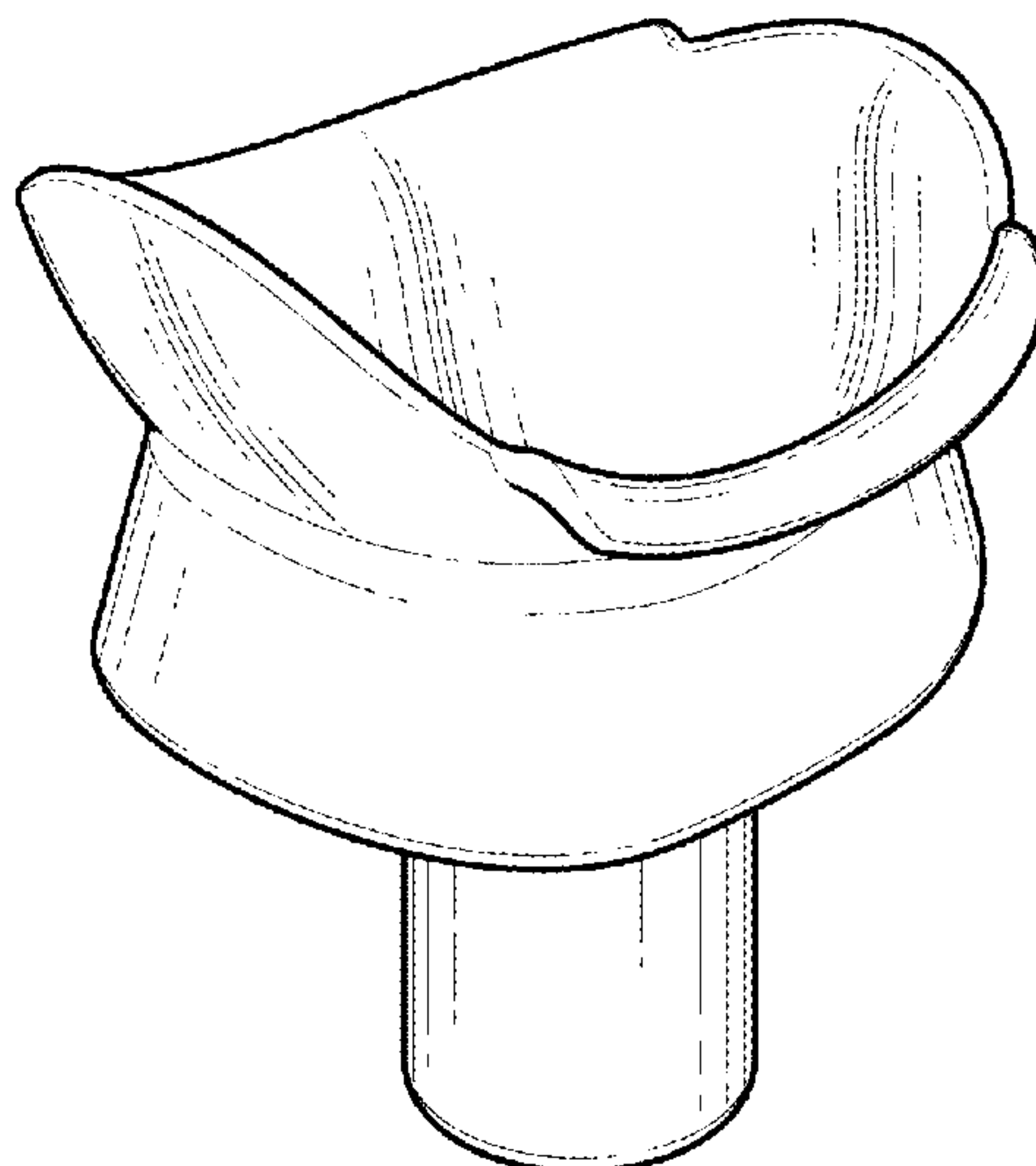
See application file for complete search history.

(56) **References Cited**

U.S. PATENT DOCUMENTS

3,832,738 A * 9/1974 Kliemann A61B 10/007
4/144.1
D249,997 S * 10/1978 Lindquist D23/200

1 Claim, 4 Drawing Sheets



(56)

References Cited

U.S. PATENT DOCUMENTS

4,771,484 A 9/1988 Mozell et al.
 4,784,654 A * 11/1988 Beecher A61F 5/455
 604/329
 D393,061 S 3/1998 Mandich et al.
 5,893,176 A 4/1999 Magiera et al.
 D409,747 S * 5/1999 Aiken D24/122
 6,183,454 B1 2/2001 Levine et al.
 D541,116 S * 4/2007 Upham D7/700
 D577,435 S 9/2008 Ivie et al.
 D661,957 S * 6/2012 Lee D7/700
 8,235,956 B2 8/2012 Block
 8,337,477 B2 12/2012 Parks et al.
 D744,641 S * 12/2015 Aiken D24/122
 D767,757 S * 9/2016 Hole D24/121
 D804,654 S 12/2017 Stephen
 10,085,876 B2 10/2018 Jones
 D871,172 S * 12/2019 Liao D7/700
 2013/0023918 A1 * 1/2013 Morlet A61F 9/00745
 606/185
 2017/0239075 A1 * 8/2017 Khan
 2020/0085610 A1 * 3/2020 Cohn A61F 5/443

OTHER PUBLICATIONS

GoGirl, <https://go-girl.com/product/gogirl-lavender-pink/>. Accessed Mar. 19, 2018.
 SheWee, <https://www.amazon.in/Shewee-Extreme-Reusable-Female-Urination/dp/B00OHRIL01>. Accessed Mar. 19, 2018.
 NASA Life Sciences Data Archive, Urine Collection Device (UCD) Hardware Information, <https://lsda.jsc.nasa.gov/Hardware/hardw/764> Accessed May 2, 2019.

* cited by examiner

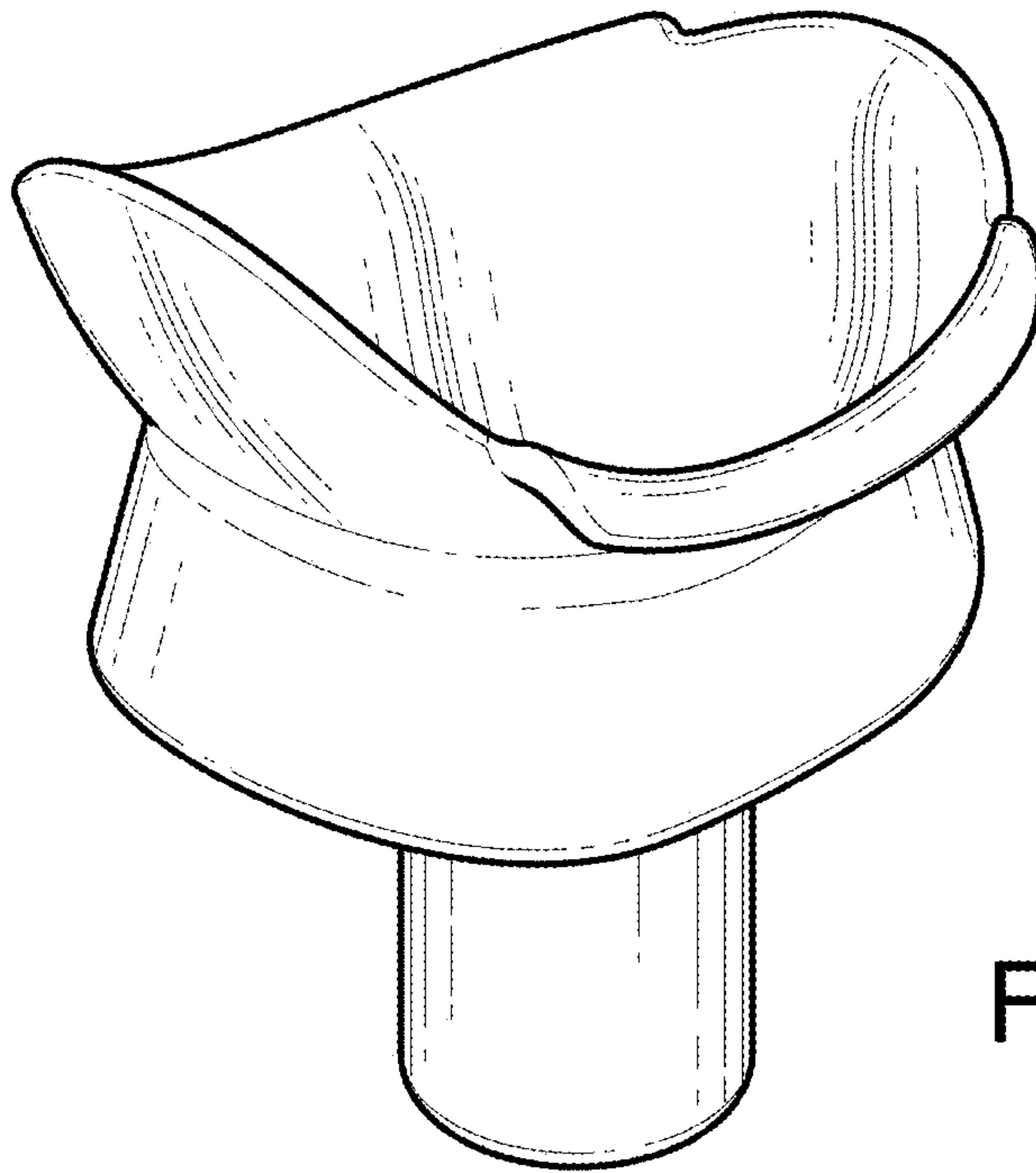


FIG. 1

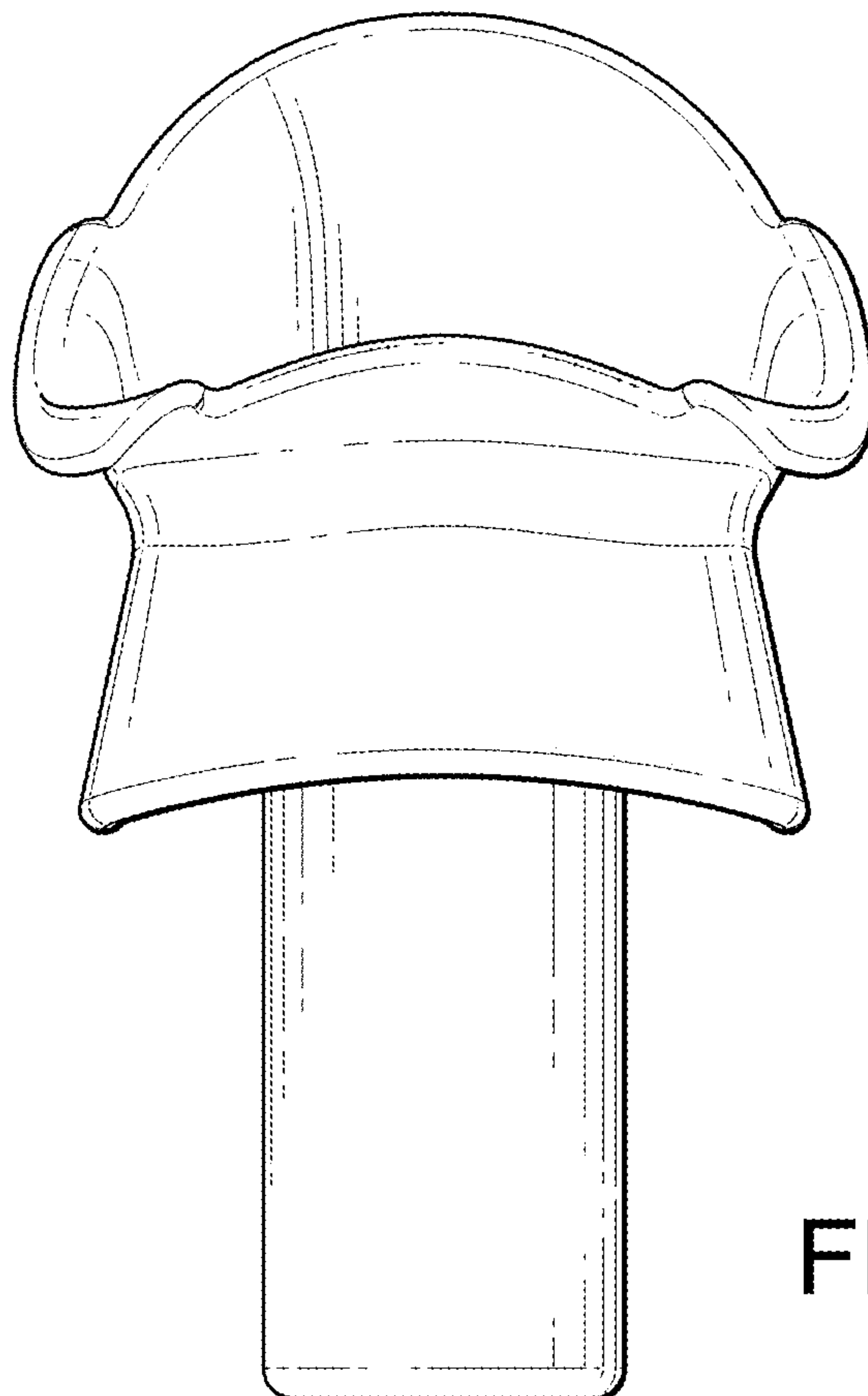


FIG. 2

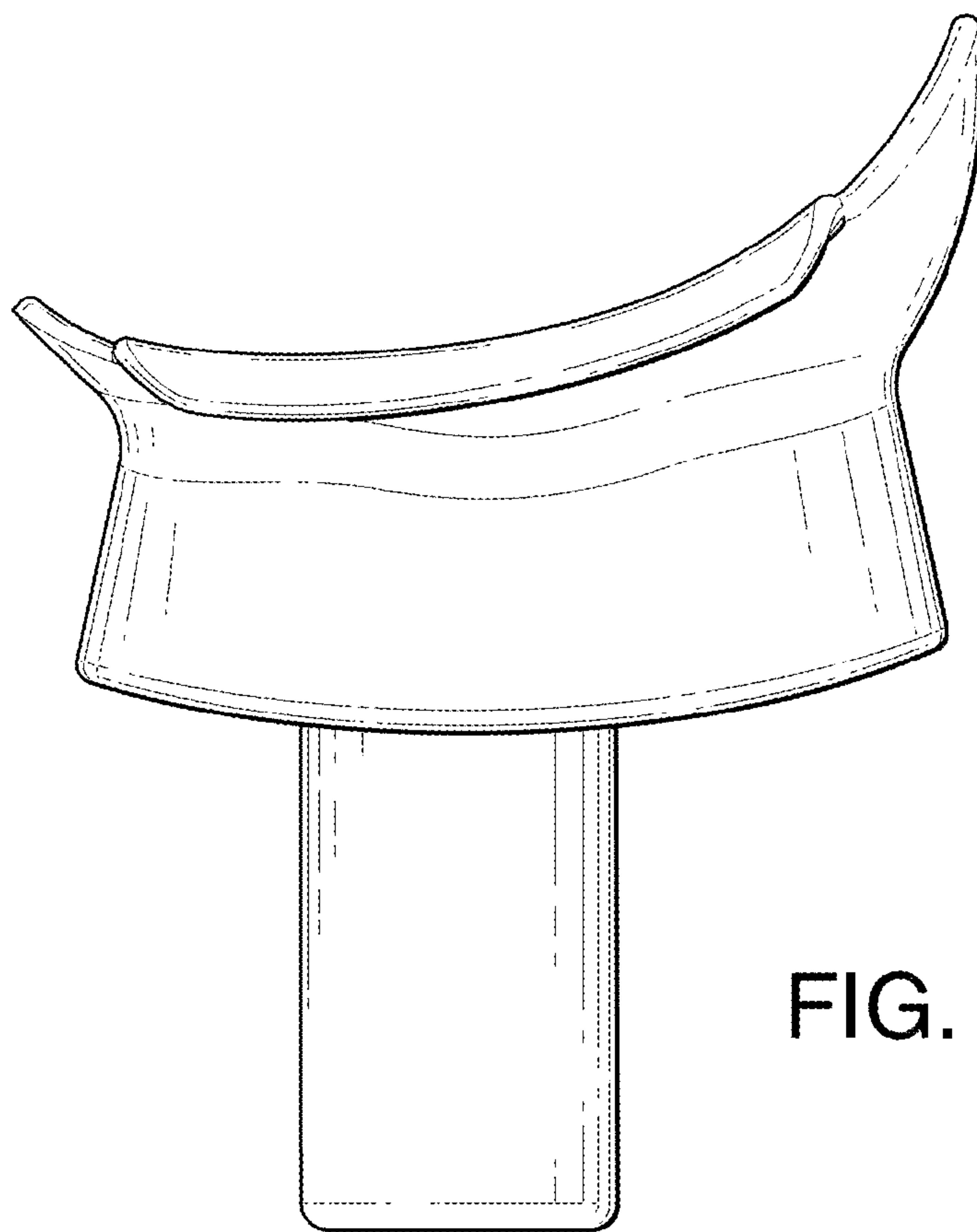


FIG. 3

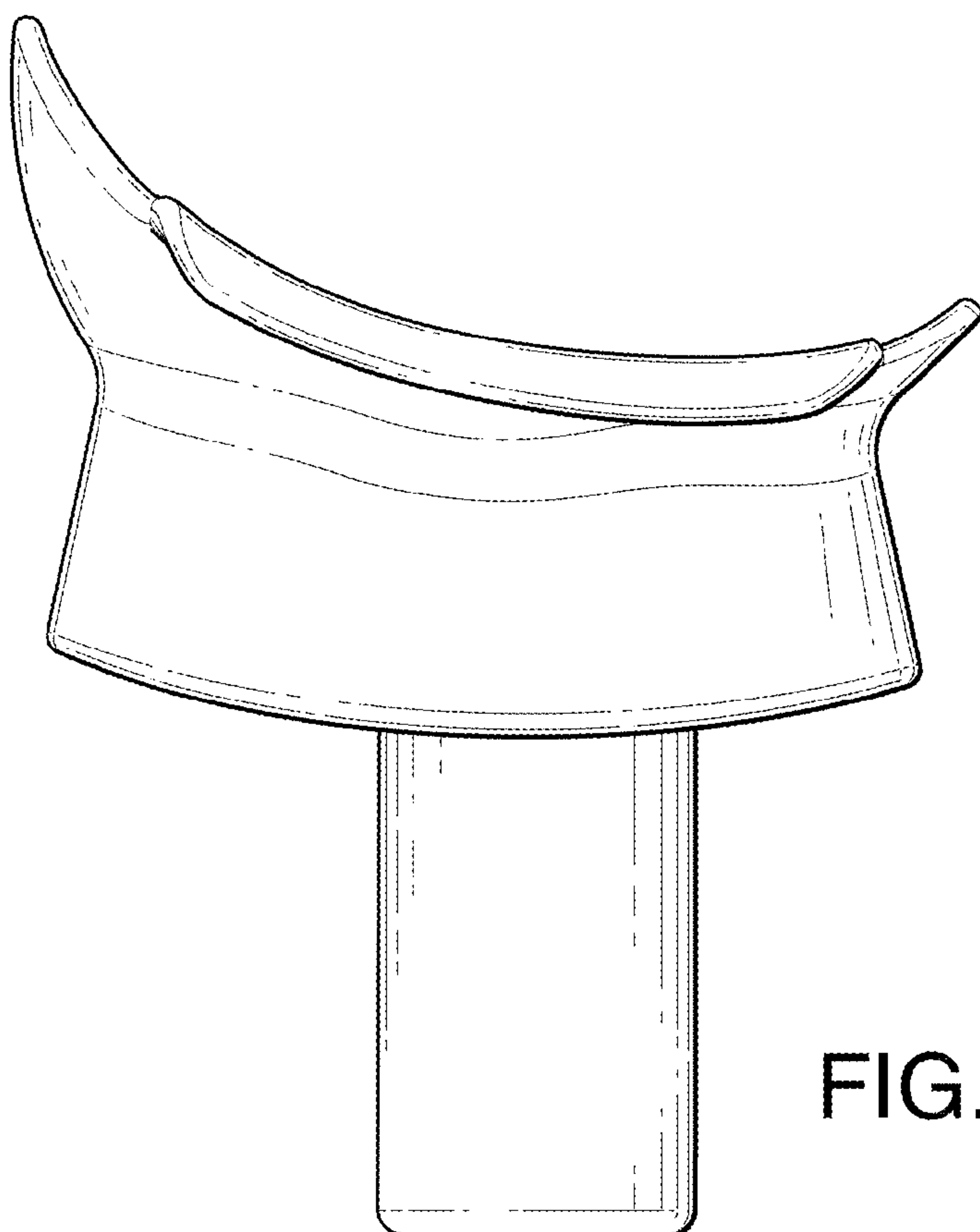


FIG. 4

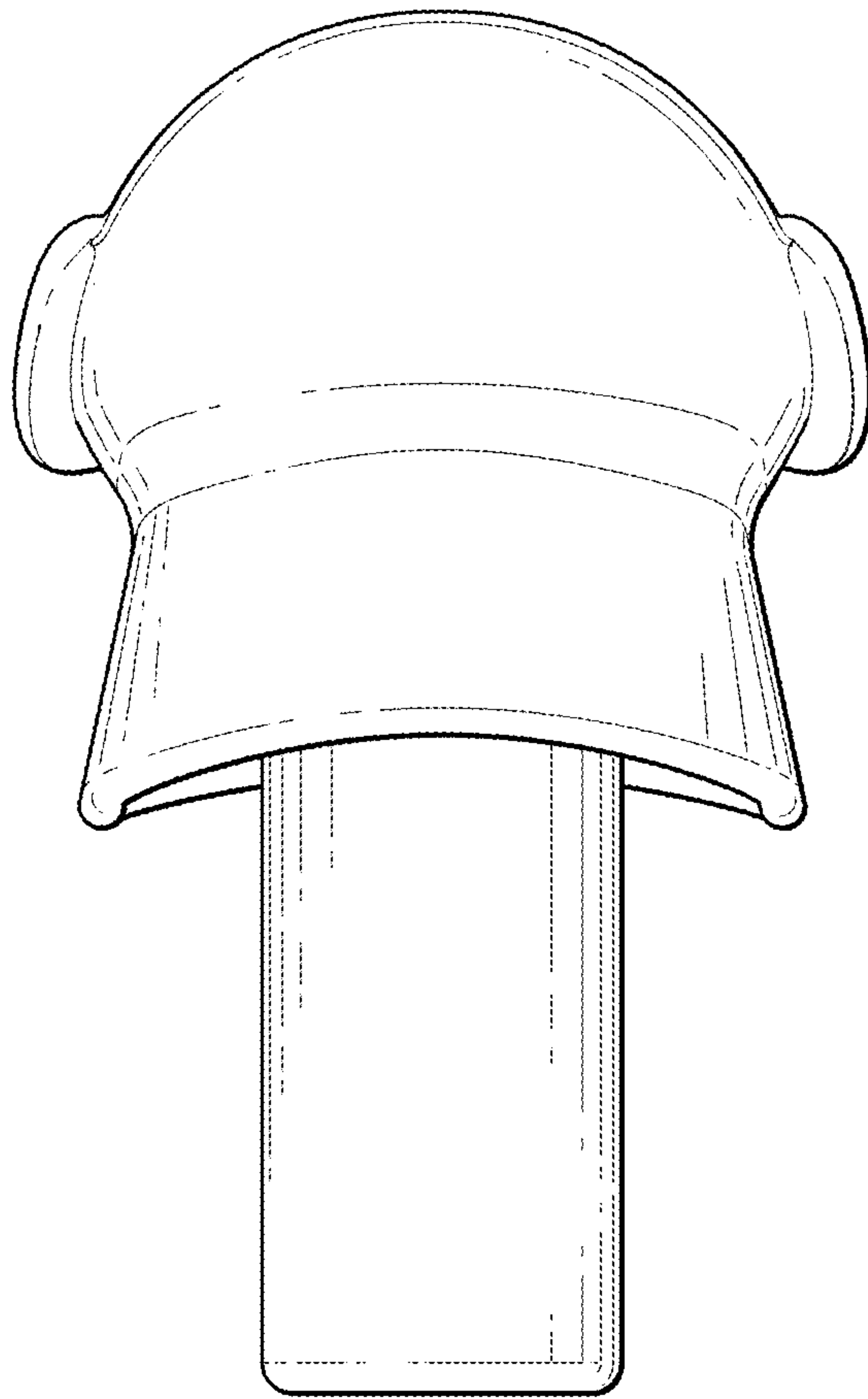


FIG. 5

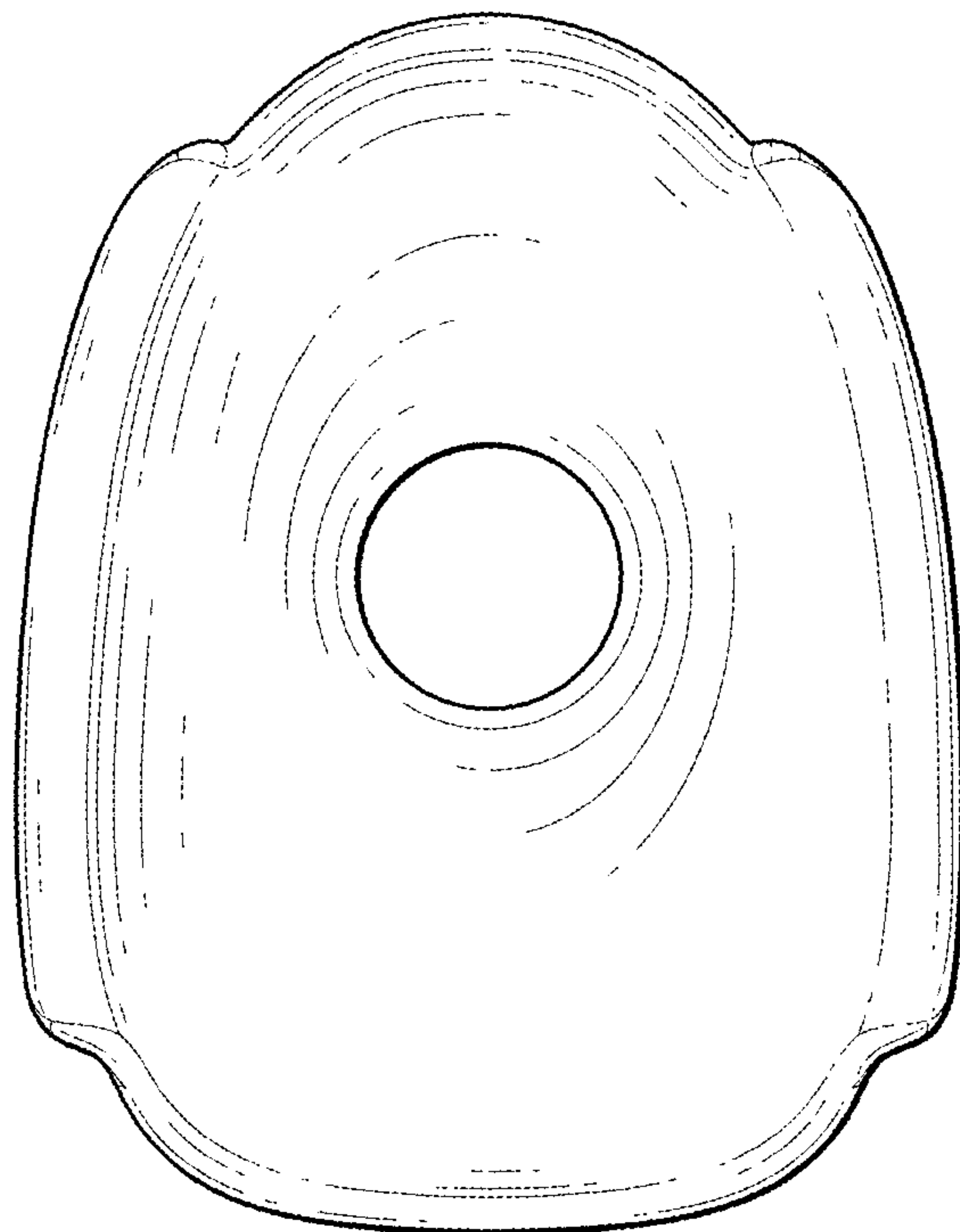


FIG. 6

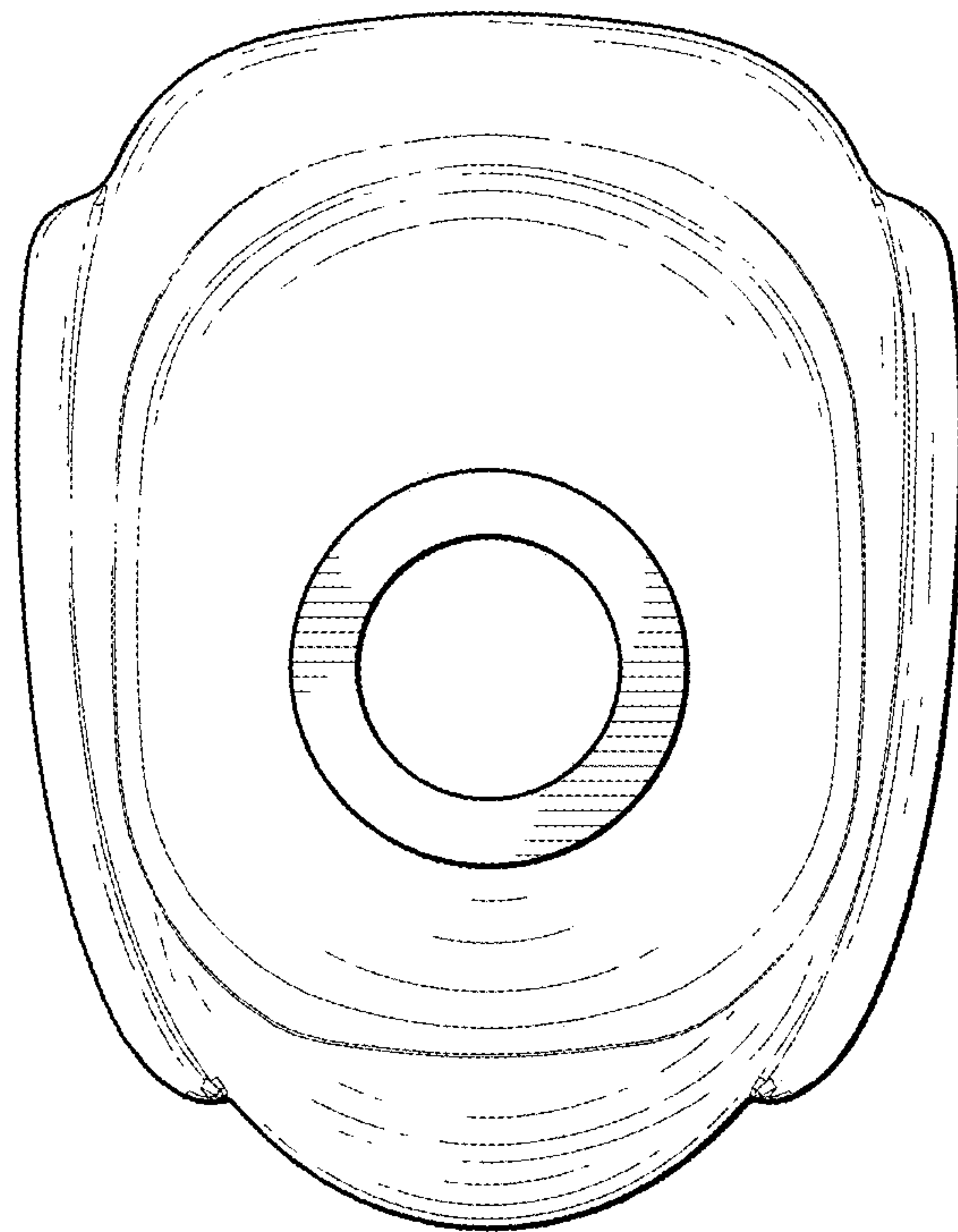


FIG. 7