



US00D898188S

(12) **United States Design Patent** (10) **Patent No.:** **US D898,188 S**
Pedro et al. (45) **Date of Patent:** **** Oct. 6, 2020**

(54) **SURGICAL MASK** 3,522,612 A 8/1970 Palmer 2/88
3,556,097 A 1/1971 Wallace 128/188
(71) Applicant: **REVOLUTIONARY MEDICAL** 3,779,164 A 12/1973 Study 128/206
DEVICES, INC., Tucson, AZ (US) 3,815,596 A 6/1974 Keener et al. 128/188
3,856,051 A 12/1974 Bain 138/114

(Continued)

(72) Inventors: **Michael J. Pedro**, Windham, NH (US);
Ryan G. Redford, Tucson, AZ (US);
David M. Kane, Tucson, AZ (US)

FOREIGN PATENT DOCUMENTS

(73) Assignee: **Revolutionary Medical Devices, Inc.,**
Tucson, AZ (US)

CN 202478364 10/2012
CN 202505937 10/2012

(Continued)

(**) Term: **15 Years**

OTHER PUBLICATIONS

(21) Appl. No.: **29/626,489**

U.S. Appl. No. 29/511,716, filed Dec. 12, 2014.

(Continued)

(22) Filed: **Nov. 17, 2017**

(51) **LOC (12) Cl.** **29-02**

Primary Examiner — Sheryl Lane

(52) **U.S. Cl.**

Assistant Examiner — Aula Soroush

USPC **D24/110.4**

(58) **Field of Classification Search**

(74) *Attorney, Agent, or Firm* — Morgan, Lewis & Bockius LLP

USPC D24/110–110.6, 127, 129; D29/110

CPC A61M 16/0616; A61M 16/0633; A61M

16/06; A61M 16/0666; A61M 16/0683;

A61M 16/0605; A61M 16/0622; A61M

16/0644; A61M 16/0875; A61M 16/0816;

A61M 16/08; B63C 11/205; B63C 11/16;

B63C 11/186; B63C 11/12

See application file for complete search history.

(57)

CLAIM

The ornamental design for a surgical mask, as shown and described.

DESCRIPTION

FIG. 1 is top perspective view of a surgical mask in accordance with our invention;

FIG. 2 is a side perspective view thereof;

FIG. 3 is a bottom perspective view thereof;

FIG. 4 is a front elevation view thereof;

FIG. 5 is a rear elevation view thereof;

FIG. 6 is left side elevation view thereof;

FIG. 7 is a right side elevation thereof;

FIG. 8 is a top plan view thereof; and,

FIG. 9 is a bottom plan view of thereof.

Portions of the article shown in broken lines form no part of the claimed invention.

(56) **References Cited**

U.S. PATENT DOCUMENTS

1,050,621 A 1/1913 Ford 128/206.28

1,131,802 A 3/1915 Stenshoel

1,441,817 A 1/1923 McCullough

1,729,525 A 9/1929 Stenshoel

1,776,167 A 9/1930 Stenshoel

D121,069 S * 6/1940 Hansen D24/110.4

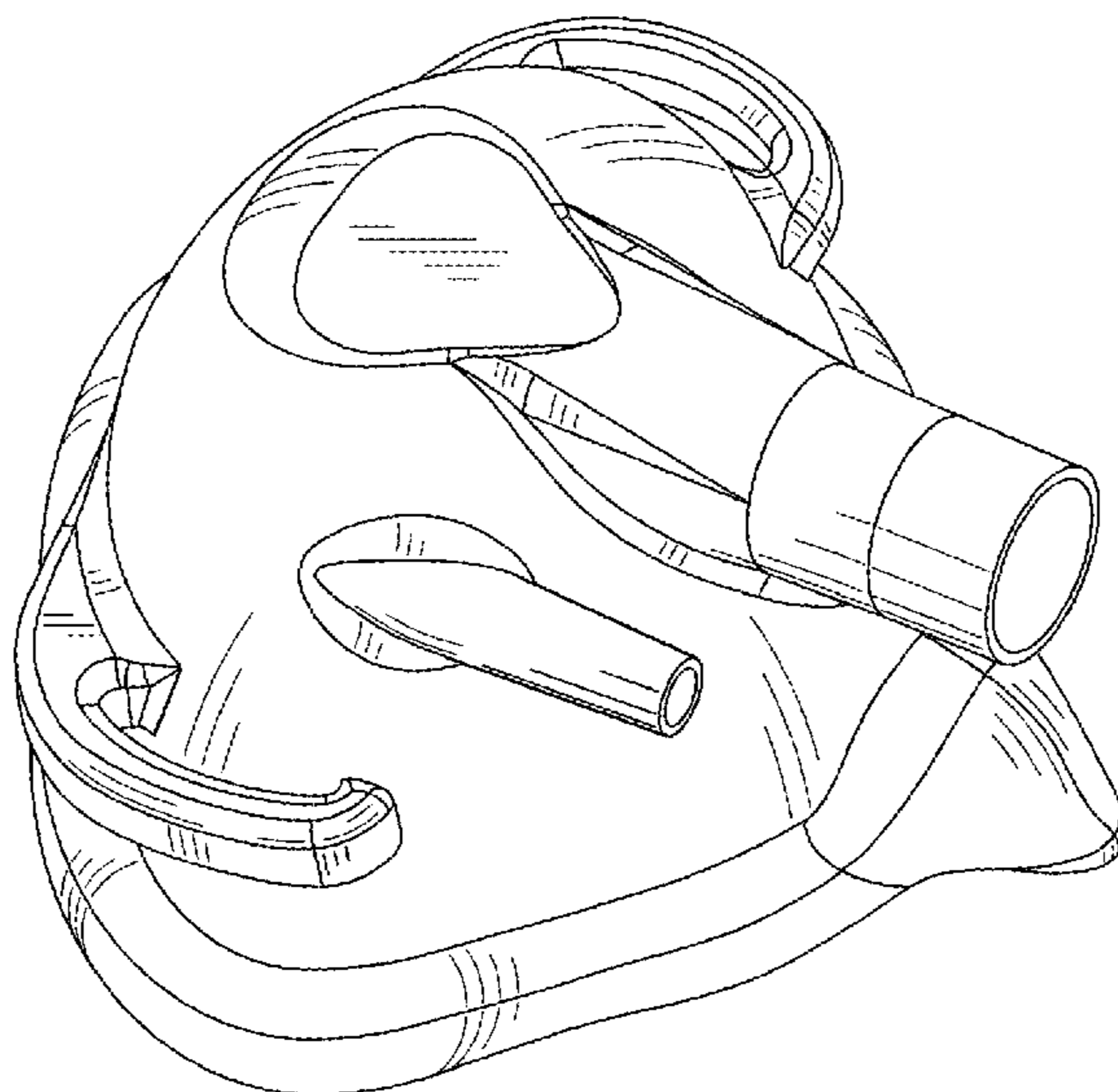
2,452,816 A 11/1948 Wagner 311/10

2,843,121 A 7/1958 Hudson 128/146

2,939,458 A 6/1960 Lundquist 128/206.24

3,013,556 A 12/1961 Galleher

1 Claim, 7 Drawing Sheets



(56)

References Cited

U.S. PATENT DOCUMENTS

- 3,889,668 A 6/1975 Ochs et al. 128/134
3,897,777 A 8/1975 Morrison 128/133
D242,490 S 11/1976 Belkin D83/1 R
4,005,499 A 2/1977 Klein 5/485
4,007,737 A 2/1977 Paluch 128/188
4,015,598 A 4/1977 Brown 128/188
4,188,946 A 2/1980 Watson et al. 128/204.22
D256,161 S 7/1980 Oliver D6/602
4,231,363 A 11/1980 Grimes 128/205.25
4,232,667 A 11/1980 Chalon et al. 128/203.26
4,248,218 A 2/1981 Fischer 128/204.18
4,259,757 A 4/1981 Watson 5/434
4,265,235 A 5/1981 Fukunaga 128/200.24
4,265,239 A 5/1981 Fischer, Jr. et al. 128/205.17
4,275,720 A 6/1981 Wichman 128/853
4,328,797 A 5/1982 Rollins 128/202.15
4,457,026 A 7/1984 Morris 2/171
4,463,755 A 8/1984 Suzuki 128/204.18
4,471,769 A 9/1984 Lockhart 128/849
4,574,796 A 3/1986 Lundstrom 128/855
4,596,246 A 6/1986 Lyall 128/202.27
4,657,010 A 4/1987 Wright 128/205.25
4,700,691 A 10/1987 Tari et al. 128/1 R
4,770,169 A 9/1988 Schmoegner et al. ... 128/207.13
4,905,712 A 3/1990 Bowlin et al. 128/870
5,046,200 A 9/1991 Feder 2/452
5,046,491 A 9/1991 Derrick 128/200.24
5,121,746 A 6/1992 Sikora 128/203.12
D333,404 S 2/1993 Thompson D6/602
5,243,971 A 9/1993 Sullivan et al. 128/205.25
5,255,303 A 10/1993 DiMaio et al. 378/177
5,271,390 A 12/1993 Gray et al. 128/207.12
5,284,160 A 2/1994 Dryden 128/203.12
D347,494 S 5/1994 Mustelier D24/110.4
D354,128 S 1/1995 Rinehart D24/110.1
5,404,873 A 4/1995 Leagre et al. 128/204.18
D362,061 S * 9/1995 McGinnis D24/110.4
5,462,050 A 10/1995 Dahlstrand 128/207.18
5,474,060 A 12/1995 Evans 128/204.22
5,485,837 A 1/1996 Solesbee et al. 128/207.17
5,524,639 A 6/1996 Lanier et al. 128/845
D373,921 S 9/1996 Palomo et al. D6/602
5,557,049 A 9/1996 Ratner 128/204.23
RE35,339 E 10/1996 Rapoport 128/204.18
5,560,354 A 10/1996 Berthon-Jones et al.
128/205.25
5,586,551 A 12/1996 Hilliard 128/200.14
5,647,357 A 7/1997 Barnett et al. 128/206.24
5,649,331 A 7/1997 Wilkinson et al. 5/710
5,660,174 A 8/1997 Jacobelli 128/206.24
5,661,859 A 9/1997 Schaefer 5/621
5,685,298 A 11/1997 Idris 128/206.12
5,738,094 A 4/1998 Hoftman 128/206.26
5,746,201 A 5/1998 Kidd 128/206.24
5,749,358 A 5/1998 Good et al. 128/205.23
5,778,872 A 7/1998 Fukunaga et al. 128/202.27
D402,755 S 12/1998 Kwok D24/110
5,884,624 A 3/1999 Barnett et al. 128/206.24
5,933,886 A 8/1999 Washington 5/494
5,966,763 A 10/1999 Thomas et al. 5/715
5,975,079 A 11/1999 Hellings et al. 128/206.24
5,983,896 A 11/1999 Fukunaga et al. 128/207.14
6,003,511 A 12/1999 Fukunaga et al. 128/202.27
6,019,101 A 2/2000 Cotner et al. 128/207.13
6,035,852 A 3/2000 Hoftman 128/206.26
6,058,933 A 5/2000 Good et al. 128/205.13
D428,987 S * 8/2000 Kwok D24/110.1
6,112,746 A 9/2000 Kwok et al. 128/207.13
6,123,071 A 9/2000 Berthon-Jones et al.
128/204.18
6,129,082 A 10/2000 Leagre 128/205.29
6,152,137 A 11/2000 Schwartz et al. 128/846
D435,650 S 12/2000 Kwok D24/110.1
6,192,886 B1 2/2001 Rudolph 128/207.13
6,216,691 B1 4/2001 Kenyon et al. 128/205.18
6,263,874 B1 7/2001 LeDez et al. 128/206.21
6,342,040 B1 1/2002 Starr et al. 600/538
6,357,441 B1 3/2002 Kwok et al. 128/207.13
6,397,847 B1 6/2002 Scarberry et al. 128/206.24
6,401,713 B1 6/2002 Hill et al. 128/204.21
6,412,487 B1 7/2002 Gunaratnam et al. ... 128/206.24
6,412,488 B1 7/2002 Barnett et al. 128/207.13
6,439,230 B1 8/2002 Gunaratnam et al. ... 128/206.21
6,439,231 B1 8/2002 Fukunaga et al. 128/207.14
6,446,288 B1 9/2002 Pi 5/636
6,459,923 B1 10/2002 Plewes et al. 600/411
6,463,931 B1 10/2002 Kwok et al. 128/207.11
6,467,483 B1 10/2002 Kopacko et al. 128/207.12
D467,345 S 12/2002 Gingles et al. D24/189
6,513,526 B2 2/2003 Kwok et al. 128/206.24
6,520,182 B1 2/2003 Gunaratnam 128/206.27
6,581,602 B2 6/2003 Kwok et al. 128/207.13
6,584,977 B1 7/2003 Serowski 128/206.24
6,612,306 B1 9/2003 Mault 128/204.22
6,615,835 B1 9/2003 Cise 128/200.26
6,626,178 B2 9/2003 Morgan et al. 128/206.26
6,631,713 B1 10/2003 Christopher 128/200.21
6,631,718 B1 10/2003 Lovell 128/206.24
6,634,358 B2 10/2003 Kwok et al. 128/205.25
6,651,663 B2 11/2003 Barnett et al. 128/207.13
6,694,973 B1 2/2004 Dunhao et al. 128/203.12
6,701,927 B2 3/2004 Kwok et al. 128/207.13
6,729,333 B2 5/2004 Barnett et al. 128/207.13
6,736,139 B1 5/2004 Wix 128/206.21
D493,523 S 7/2004 Barnett et al. D24/110.4
6,779,524 B2 8/2004 Strawder et al. 128/206.21
6,792,943 B2 9/2004 Kumar et al. 128/200.26
6,796,308 B2 9/2004 Gunaratnam et al. ... 128/206.24
6,805,117 B1 10/2004 Ho et al. 128/201.22
6,832,610 B2 12/2004 Gradon et al. 128/206.27
6,863,071 B2 3/2005 Annett et al. 128/849
6,871,649 B2 3/2005 Kwok et al. 128/206.24
6,892,729 B2 5/2005 Smith et al. 128/204.18
6,895,965 B2 5/2005 Scarberry et al. 128/206.24
6,931,664 B1 8/2005 Chen 2/9
6,935,337 B2 8/2005 Virr et al. 128/203.16
6,981,503 B1 1/2006 Shapiro 128/845
7,004,168 B2 2/2006 Mace et al. 128/206.21
7,007,696 B2 3/2006 Palkon et al. 128/207.13
7,013,896 B2 3/2006 Schmidt 128/206.15
7,017,576 B2 3/2006 Olsen et al. 128/205.25
7,021,311 B2 4/2006 Gunaratnam et al. ... 128/206.24
7,036,508 B2 5/2006 Kwok 128/207.11
7,047,971 B2 5/2006 Ho et al. 128/207.11
7,066,179 B2 6/2006 Eaton et al. 128/206.27
7,069,932 B2 7/2006 Eaton et al. 128/206.24
7,069,933 B2 7/2006 Kwok et al. 128/206.24
7,114,498 B1 10/2006 Nashed 128/205.27
7,159,587 B2 1/2007 Drew et al. 128/204.18
7,178,524 B2 2/2007 Noble 128/206.11
7,178,527 B2 2/2007 Kwok et al. 128/207.13
7,210,481 B1 5/2007 Lovell et al. 128/205.25
7,219,669 B1 5/2007 Lovell et al. 128/206.24
7,237,551 B2 7/2007 Ho et al. 128/207.13
7,243,651 B2 7/2007 Kwok et al. 128/205.25
7,287,528 B2 10/2007 Ho et al. 128/206.21
7,341,060 B2 3/2008 Ging et al. 128/206.11
7,383,839 B2 6/2008 Porat et al. 128/207.18
7,445,602 B2 11/2008 Yamamori 128/201.27
7,448,386 B2 11/2008 Ho et al. 128/206.21
7,467,431 B2 12/2008 Weedling et al. 5/633
7,487,772 B2 2/2009 Ging et al. 128/202.27
7,487,777 B2 2/2009 Gunaratnam et al. ... 128/206.24
7,500,280 B2 3/2009 Dixon et al. 5/713
7,500,482 B2 3/2009 Biederman 128/206.21
D598,537 S * 8/2009 Nashed A61M 16/06
D24/110.1
7,614,398 B2 11/2009 Virr et al. 128/203.26
7,631,644 B2 12/2009 Ho et al. 128/203.26
7,665,464 B2 2/2010 Kopacko et al. 128/206.24
7,669,599 B2 3/2010 Gunaratnam et al. ... 128/205.25
7,700,129 B2 4/2010 Ito et al. 424/486
7,743,767 B2 6/2010 Ging et al. 128/206.24
7,753,051 B2 7/2010 Burrow et al. 128/207.11

(56)

References Cited

U.S. PATENT DOCUMENTS

7,779,832 B1	8/2010	Ho	128/201.22	8,881,728 B2	11/2014	Sher et al.	128/205.25
7,841,988 B2	11/2010	Yamamori	600/532	8,915,861 B2	12/2014	Yamamori et al.	600/532
7,870,859 B2	1/2011	Barnett et al.	128/204.24	8,939,151 B2	1/2015	McAuley et al.	128/205.25
7,874,292 B2	1/2011	Smith et al.	128/206.27	8,944,061 B2	2/2015	D'Souza et al.	128/206.24
7,913,337 B1	3/2011	Masson	5/618	D726,303 S	4/2015	Rollins	D24/110.1
7,926,487 B2	4/2011	Drew et al.	128/205.25	9,010,330 B2	4/2015	Barlow et al.	128/201.18
7,927,285 B2	4/2011	Yamamori	600/532	9,010,331 B2	4/2015	Lang et al.	A61M 16/06
7,931,024 B2	4/2011	Ho et al.	128/206.21	9,022,029 B2	5/2015	Varga et al.	A61B 5/0836
7,938,117 B2	5/2011	Chiesa et al.	128/205.25	9,027,556 B2	5/2015	Ng et al.	128/205.25
7,950,392 B2	5/2011	Kwok et al.	128/206.24	9,138,169 B2	9/2015	Beard	A61B 5/097
7,975,694 B2	7/2011	Ho	128/207.13	9,186,474 B1	11/2015	Rollins	
7,997,267 B2	8/2011	Ging et al.	128/202.27	9,295,799 B2	3/2016	McAuley et al.	A61M 16/06
8,001,968 B2	8/2011	Doty et al.	128/205.27	9,295,800 B2	3/2016	Davidson et al.	A61M 16/06
8,001,970 B2	8/2011	King et al.	128/845	D753,287 S *	4/2016	Darab	D24/110.4
8,028,699 B2	10/2011	Ho et al.	128/206.21	D753,816 S	4/2016	Beard	D24/110.4
8,042,539 B2	10/2011	Chandran et al.	128/206.28	9,375,545 B2	6/2016	Darkin et al.	A61M 16/0683
8,042,541 B2	10/2011	Amarasinghe et al.	128/206.27	D768,845 S *	10/2016	Burkes	D24/110
				9,629,975 B1 *	4/2017	Pedro	A61M 16/0683
8,056,561 B2	11/2011	Kwok et al.	128/206.24	2002/0074001 A1	6/2002	Kwok et al.	
8,132,270 B2	3/2012	Lang et al.	2/422	2002/0174868 A1	11/2002	Kwok et al.	128/205.25
8,161,971 B2	4/2012	Jaffe	128/200.24	2003/0024533 A1	2/2003	Sniadach	128/205.25
8,191,553 B2	6/2012	Haworth et al.	128/845	2003/0145859 A1	8/2003	Bohn et al.	128/206.24
8,210,181 B2	7/2012	Gunaratnam et al.	128/207.11	2003/0183232 A1	10/2003	Fukunaga et al.	128/204.18
8,261,745 B2	9/2012	Chandran et al.	128/206.24	2004/0069306 A1	4/2004	Moening et al.	128/207.13
8,261,746 B2	9/2012	Lynch et al.	128/206.24	2004/0221850 A1	11/2004	Ging et al.	128/206.27
8,267,091 B2	9/2012	Smith et al.	128/202.27	2005/0028811 A1	2/2005	Nelson et al.	128/200.11
8,302,224 B2	11/2012	Lehman	5/486	2005/0145247 A1	7/2005	Nashed	128/204.18
8,312,883 B2	11/2012	Gunaratnam et al.	128/207.18	2005/0160532 A1	7/2005	Froelich	5/637
8,336,142 B1	12/2012	See et al.	5/634	2005/0193493 A1	9/2005	Gabbay	5/644
8,336,549 B2	12/2012	Nashed	128/206.28	2006/0032500 A1	2/2006	Ghiron et al.	128/202.27
8,347,889 B2	1/2013	Farnum	128/845	2006/0042631 A1	3/2006	Martin et al.	128/207.18
8,365,734 B1	2/2013	Lehman	128/206.28	2006/0118117 A1	6/2006	Berthon-Jones et al.	128/206.21
8,397,724 B2	3/2013	Sher et al.	128/205.25				
D681,383 S	5/2013	Derman et al.	D6/603	2006/0124131 A1	6/2006	Chandran et al.	
8,443,807 B2	5/2013	McAuley et al.	128/207.18	2006/0168730 A1	8/2006	Menkedick et al.	5/618
8,485,190 B2	7/2013	Barnett et al.	128/206.24	2006/0174889 A1	8/2006	Noble	128/206.11
8,485,192 B2	7/2013	Davidson et al.	128/206.24	2006/0231091 A1	10/2006	Camarillo	128/200.21
8,490,623 B2	7/2013	Berthon-Jones et al.	128/206.21	2007/0062536 A1	3/2007	McAuley et al.	128/206.21
				2007/0113847 A1	5/2007	Acker et al.	128/204.18
RE44,453 E	8/2013	Virr et al.	128/203.27	2007/0113856 A1	5/2007	Acker et al.	128/207.14
8,479,726 B2	9/2013	McAuley	128/201.17	2007/0267017 A1	11/2007	McAuley et al.	128/204.18
8,522,783 B2	9/2013	Kwok et al.	128/204.26	2007/0271699 A1	11/2007	Sacchetti	5/495
8,528,558 B2	9/2013	Drew et al.	128/205.25	2007/0295335 A1	12/2007	Nashed	128/206.24
8,550,081 B2	10/2013	Davidson et al.	128/206.24	2008/0053446 A1	3/2008	Sleeper et al.	128/205.25
8,550,082 B2	10/2013	Davidson et al.	128/206.24	2008/0092898 A1	4/2008	Schneider et al.	128/206.28
8,550,083 B2	10/2013	Davidson et al.	128/206.24	2008/0196715 A1	8/2008	Yamamori	128/203.12
8,555,885 B2	10/2013	Davidson et al.	128/206.24	2008/0221470 A1	9/2008	Sather et al.	600/533
8,567,402 B2	10/2013	Gunaratnam et al.	128/205.25	2008/0230067 A1	9/2008	Kwok et al.	128/206.24
8,567,404 B2	10/2013	Davidson et al.	128/206.24	2009/0084385 A1	4/2009	Lang	128/206.21
D693,603 S	11/2013	Esquivel et al.	D6/602	2009/0114229 A1	5/2009	Frater et al.	128/206.24
8,573,211 B2	11/2013	Ho et al.	128/206.24	2009/0114230 A1	5/2009	Hernandez et al.	128/206.24
8,573,212 B2	11/2013	Lynch et al.	128/206.24	2009/0133696 A1	5/2009	Remmers et al.	128/204.26
8,573,213 B2	11/2013	Davidson et al.	128/206.24	2009/0178680 A1	7/2009	Chang	128/206.27
8,573,214 B2	11/2013	Davidson et al.	128/206.24	2009/0250061 A1	10/2009	Marasigan	128/205.13
8,573,215 B2	11/2013	Davidson et al.	128/206.24	2009/0260628 A1	10/2009	Flynn, Sr.	128/203.28
8,573,217 B2	11/2013	Todd et al.	128/207.12	2009/0301472 A1	12/2009	Kim et al.	128/200.16
8,578,935 B2	11/2013	Davidson et al.	128/206.24	2009/0320850 A1	12/2009	Wallnewitz et al.	128/207.11
8,578,939 B1	11/2013	Kimani Mwangi et al.	128/848	2010/0122701 A1	5/2010	Gunaratnam et al.	
				2010/0147313 A1	6/2010	Albrecht	128/845
D695,888 S *	12/2013	Darab	D24/110.4	2010/0170513 A1	7/2010	Bowditch et al.	128/204.23
8,613,280 B2	12/2013	Davidson et al.	128/206.24	2010/0170516 A1	7/2010	Grane	
8,613,281 B2	12/2013	Davidson et al.	128/206.24	2010/0218316 A1	9/2010	Nissen et al.	5/632
8,616,211 B2	12/2013	Davidson et al.	128/206.24	2010/0224199 A1	9/2010	Smith et al.	128/863
D697,202 S *	1/2014	Nashed	D24/110.1	2010/0275919 A1	11/2010	Sung	128/204.22
8,631,792 B2	1/2014	Ho et al.	128/206.24	2010/0313891 A1	12/2010	Veliss et al.	
8,636,006 B2	1/2014	Kwok et al.	128/207.13	2011/0054366 A1	3/2011	Smith et al.	601/15
8,667,965 B2	3/2014	Gunaratnam et al.	128/207.13	2011/0072582 A1	3/2011	Patterson et al.	5/484
8,684,004 B2	4/2014	Eifler	128/206.24	2011/0083670 A1	4/2011	Walacavage	128/205.12
8,689,366 B2	4/2014	Ho	2/452	2011/0092930 A1	4/2011	Poorman	604/356
8,707,950 B1	4/2014	Rubin	128/202.27	2011/0108035 A1	5/2011	Samaniego	128/206.17
8,714,157 B2	5/2014	McAuley et al.	128/205.25	2011/0114099 A1	5/2011	Goldstein	128/848
8,752,551 B2	6/2014	Chandran et al.	128/206.28	2011/0155136 A1	6/2011	Lee	128/205.24
8,807,134 B2	8/2014	Ho et al.	128/206.21	2011/0173750 A1	7/2011	Lehmann	5/486
8,807,135 B2	8/2014	Worboys et al.	128/206.24	2011/0186050 A1	8/2011	Daly	128/204.23
8,813,748 B2	8/2014	Kwok et al.	128/206.24	2011/0214674 A1	9/2011	Ging et al.	128/206.21
				2011/0253150 A1	10/2011	King	128/845
				2011/0265796 A1	11/2011	Amarasinghe et al.	128/206.28
				2011/0290253 A1	12/2011	McAuley et al.	128/205.25

(56)

References Cited

OTHER PUBLICATIONS

U.S. PATENT DOCUMENTS

2012/0080035	A1	4/2012	Guney et al.	128/205.25
2012/0111330	A1	5/2012	Gartner	128/205.23
2012/0144588	A1	6/2012	Heimbrock et al.	5/624
2012/0180220	A1	7/2012	Popitz	5/638
2012/0222680	A1	9/2012	Eves et al.	128/206.24
2012/0227736	A1	9/2012	Bowsher	128/202.27
2012/0234326	A1	9/2012	Mazzone et al.	128/206.26
2012/0247475	A1	10/2012	Hernandez et al.	
2012/0285455	A1	11/2012	Varga et al.	128/204.21
2012/0285466	A1	11/2012	Pierro et al.	128/206.24
2013/0014760	A1	1/2013	Matula, Jr. et al.	128/205.25
2013/0023729	A1	1/2013	Vazales et al.	
2013/0060157	A1	3/2013	Beard	600/532
2013/0109992	A1	5/2013	Guyette	600/532
2013/0146060	A1	6/2013	Ho et al.	128/205.25
2013/0186413	A1	7/2013	Haines et al.	128/854
2013/0190643	A1	7/2013	Brambilla	A61M 16/0875
2013/0192601	A1	8/2013	Reischl et al.	128/205.25
2013/0192602	A1	8/2013	Leibitzki et al.	128/205.27
2013/0199537	A1	8/2013	Formica et al. ..	A61M 16/0666
2013/0319417	A1	12/2013	Weinman	128/205.25
2014/0076311	A1	3/2014	Darab	128/203.12
2014/0083425	A1	3/2014	Moening	128/203.29
2014/0144448	A1	5/2014	Eifler	128/206.24
2014/0158135	A1	6/2014	Shyong	128/206.21
2014/0158136	A1	6/2014	Romagnoli et al.	128/206.24
2014/0215687	A1	8/2014	Andrews	2/170
2014/0243600	A1	8/2014	Eisenberger	600/114
2014/0245537	A1	9/2014	Allen	5/622
2014/0251333	A1	9/2014	Burk	128/205.12
2014/0326246	A1	11/2014	Chodkowski et al. ..	128/206.24
2014/0352072	A1	12/2014	Holladay	5/655.5
2014/0360504	A1	12/2014	Kwok	A61M 16/0605
2015/0047647	A1	2/2015	Winer	128/854
2015/0059759	A1	3/2015	Frater et al.	128/205.25
2015/0144140	A1	5/2015	Eury	A61M 16/0622
2015/0217075	A1	8/2015	Nair	600/531
2015/0238716	A1	8/2015	Budhiraja et al.	
				A61M 16/0003
2015/0250970	A1	9/2015	Bowsher	A61M 16/0616
2015/0250971	A1	9/2015	Bachelder et al.	
				A61M 16/0616
2015/0273170	A1	10/2015	Bachelder et al.	
				A61M 16/0616
2015/0273171	A1	10/2015	Sullivan et al. ..	A61M 16/0683
2015/0335852	A1	11/2015	Miller	A61M 16/208
2016/0015923	A1	1/2016	Chodkowski et al.	
				A61M 16/0622
2016/0022944	A1	1/2016	Chodkowski et al.	
				A61M 16/0616
2016/0038709	A1	2/2016	Beard	128/205.12
2016/0067441	A1	3/2016	Bearne et al.	A61M 16/0683
2016/0184540	A1	6/2016	Kokko	A61M 16/0069
2016/0213871	A1	7/2016	Darab	
2016/0279368	A1	9/2016	Isenberg	A61M 16/0605
2017/0007795	A1*	1/2017	Pedro	A61M 16/22

FOREIGN PATENT DOCUMENTS

DE	19947722	4/2001
EP	2433666	3/2012
GB	187863	11/1922
GB	2456136	7/2009
WO	WO2010059592	5/2010
WO	WO2013036839	3/2013
WO	WO2013/064950	5/2013
WO	WO2014038959	3/2014
WO	WO2014210606	12/2014
WO	WO2015063283	5/2015
WO	WO2015131262	9/2015
WO	WO2015147947	10/2015
WO	WO2015187995	12/2015
WO	WO2016007749	1/2016
WO	WO2016097948	6/2016

U.S. Appl. No. 29/520,420, filed Mar. 13, 2015.
U.S. Appl. No. 29/530,124, filed Jun. 12, 2015.
U.S. Appl. No. 14/901,647, filed Dec. 28, 2015.
U.S. Appl. No. 15/217,753, filed Jul. 22, 2016.
U.S. Appl. No. 15/127,758, filed Sep. 20, 2016.
U.S. Appl. No. 15/127,759, filed Sep. 20, 2016.
U.S. Appl. No. 15/127,760, filed Sep. 20, 2016.
U.S. Appl. No. 15/272,074, filed Sep. 21, 2016.
U.S. Appl. No. 15/272,160, filed Sep. 21, 2016.
U.S. Appl. No. 15/272,190, filed Sep. 21, 2016.
U.S. Appl. No. 15/288,973, filed Oct. 7, 2016.
U.S. Appl. No. 29/583,554, filed Nov. 7, 2016.
U.S. Appl. No. 15/510,469, filed Mar. 10, 2017.
U.S. Appl. No. 29/520,420, filed Mar. 13, 2015, Reilly et al.
U.S. Appl. No. 29/530,124, filed Jun. 12, 2015, Reilly et al.
U.S. Appl. No. 14/901,647, filed Dec. 28, 2015, Pedro et al.
U.S. Appl. No. 15/217,753, filed Jul. 22, 2016, Pedro et al.
U.S. Appl. No. 15/127,758, filed Sep. 20, 2016, Pedro et al.
U.S. Appl. No. 15/127,759, filed Sep. 20, 2016, Pedro et al.
U.S. Appl. No. 15/127,760, filed Sep. 20, 2016, Pedro et al.
U.S. Appl. No. 15/272,074, filed Sep. 21, 2016, Pedro et al.
U.S. Appl. No. 15/272,160, filed Sep. 21, 2016, Pedro et al.
U.S. Appl. No. 15/272,190, filed Sep. 21, 2016, Pedro et al.
U.S. Appl. No. 29/583,554, filed Nov. 7, 2016, Reilly et al.
U.S. Appl. No. 15/510,469, filed Mar. 10, 2017, Reilly et al.
Australian Certificate of Registration issued in application No. 201512961, dated Aug. 10, 2015 (5 pgs).
Australian Certificate of Registration issued in application No. 201512962, dated Aug. 12, 2015 (5 pgs).
Ball et al., "Performance comparison of two anaesthetic facemasks," *Anaesth Intensive Care*, Apr. 2007, vol. 35, issue 2, 226-9 (abstract only) (2 pgs).
Canadian Office Action issued in application No. 162891, dated Apr. 5, 2016 (1 pg).
Canadian Office Action issued in application No. 162891, dated Nov. 10, 2015 (7 pgs).
Chinese First Notification to Make Rectification issued in application No. 201730161613.8, dated Aug. 7, 2017 (2 pgs).
Chinese First Office Action issued in application No. 201480042735.9 dated Apr. 5, 2017 (w/ translation) (18 pgs).
Chinese Notification of Grant issued in application No. 201530191921.6, dated Feb. 15, 2016 (12 pgs).
Chinese Second Notification to Make Rectification issued in application No. 201730161613.8, dated Sep. 19, 2017 (11 pgs).
Chinese Second Office Action issued in application No. 201480042735.9, dated Nov. 6, 2017 (21 pgs).
CPAP product description, <http://www.cpap.com/productpage/pr-amara-full-face-cpap-mask-gel-silicone.html>, downloaded Jul. 28, 2016, 11 pages.
CPAPXCHANGE, product image, <http://www.cpapxchange.com/cpap-masks-bipap-masks/bluegel-full-cushion-comfortgel-cpap-bipap-masks.jpg>, downloaded Jul. 28, 2016, 1 page.
DirectHome Medical product description, <http://www.directhomemedical.com/profilelite-gel-cpap-mask-philipsrespirationies.html#VwXLIPkrLIU>, downloaded Jul. 28, 2016, 6 pages.
European Examination Report issued in application 003933217-0001, dated May 16, 2017 (2 pgs).
European Supplementary Partial European Search Report for application No. 14818563.0, dated Jan. 30, 2017 (6 pages).
Extended European Search Report issued in application No. 14818563.0/1651 dated May 3, 2017 (12 pgs).
Indian Office Action issued in related Indian Design Patent Application Serial No. 272704, dated Aug. 28, 2015 (13 pgs).
InnoMed Technologies Hybrid mask product description, <http://innomedinc.com/hybrid/>, downloaded Jul. 28, 2016, 4 pages.
InnoMed Technologies Sylent mask product description, <http://innomedinc.com/sylent-ne-disposable-nasal-mask/>, downloaded Jul. 28, 2016, 2 pages.
International Preliminary Report on Patentability issued in application No. PCT/US14/44934, dated Jan. 7, 2016 (12 pgs).

(56)

References Cited

OTHER PUBLICATIONS

International Preliminary Report on Patentability issued in application No. PCT/US2105/021323, dated Oct. 2016 (8 pgs).

International Preliminary Report on Patentability issued in application No. PCT/US2015/044341, dated Mar. 2, 2017 (10 pgs).

International Preliminary Report on Patentability issued in application No. PCT/US2016/037070, dated Dec. 12, 2017 (7 pgs).

International Search Report and Written Opinion issued in application No. PCT/US2015/044341, dated Jan. 2016 (13 pgs).

International Search Report and Written Opinion issued in application No. PCT/US2015/34277, dated Nov. 23, 2015 (16 pgs).

International Search Report and Written Opinion issued in application No. PCT/US2016/037070, dated Nov. 10, 2016 (11 pgs).

International Search Report and Written Opinion issued in application No. PCT/US2017/048046, dated Nov. 6, 2017 (11 pgs).

International Search Report issued in application No. PCT/US14/44934, dated Jan. 2, 2015 (16 pgs).

Invitation to Pay Additional Fees issued in application No. PCT/US15/44341, dated Oct. 21, 2015 (2 pgs).

Invitation to Pay Additional Fees issued in application No. PCT/US14/44934, dated Oct. 24, 2014 (3 pgs).

Israeli Notice of Allowance issued in application No. 57056 (no translation), dated May 29, 2016 (1 pg).

Israeli Office Action issued in application No. 10593/0016,000-57850 (w/translation of relevant portions), dated Feb. 15, 2016 (3 pgs).

Israeli Office Action issued in application No. 57850 (w/translation of relevant portions), dated Jun. 30, 2016 (2 pgs).

Israeli Office Action issued in application No. 57850 (w/translation of relevant portions), dated Jul. 19, 2016 (3 pgs).

Israeli Office Action issued in application No. 10593/0014.000-57056 (w/translation of relevant portions), dated Nov. 1, 2015 (3 pgs).

Japanese Certified Decision for Registration issued in application No. 2016-005262, dated Dec. 22, 2017 (4 pgs).

Japanese Certified Decision for Registration issued in application No. 2016-005263, dated Dec. 22, 2017 (4 pgs).

Japanese Decision for Registration issued in application No. 2017-009813, dated Oct. 6, 2017 (2 pgs).

Japanese Decision for Registration issued in application on. 2016-006559, dated May 12, 2017 (w/ translation) (2 pgs).

Japanese Decision for Registration issued in application on. 2016-006560, dated May 12, 2017 (w/ translation) (2 pgs).

Japanese Office Action (w/translation) issued in application 2016-005263, dated Apr. 28, 2017 (8 pgs).

Japanese Office Action (w/translation) issued in application 2016-005262, dated Apr. 28, 2017 (7 pgs).

Japanese Office Action (w/translation) issued in application No. 2016-006559, dated Aug. 29, 2016 (3 pgs).

Japanese Office Action (w/translation) issued in application No. 2016-006560, dated Aug. 29, 2016 (3 pgs).

Japanese Office Action issued in application No. 2015-013148, dated Dec. 4, 2015 (3 pgs).

Japanese Office Action issued in application No. 2016-005262, dated Jun. 30, 2016 (1 pg).

Japanese Office Action issued in application No. 2016-005263, dated Jun. 30, 2016 (1 pg).

Japanese Office Action issued in application No. 2017-009813, dated Jul. 20, 2017 (3 pgs).

Korean Design of Registration issued in Korean related Application Serial No. 30-2015-0029561, M001 (w/translation), dated Jun. 29, 2016 (3 pgs).

Korean Design of Registration issued in Korean related Application Serial No. 30-2015-0029561, M002 (w/translation), dated Jun. 27, 2016 (3 pgs).

Korean Office Action issued in application No. 30-2015-0029561, M002 (w/translation), dated May 23, 2016 (6 pgs).

Korean Office Action issued in application No. 30-2015-0029561, M001, dated May 23, 2016 (2 pgs).

Korean Office Action issued in application No. 30-2015-0029561, M002 (w/translation), dated Dec. 24, 2015 (7 pgs).

Korean Office Action issued in application No. 30-2015-0029561, M001 (w/translation), dated Dec. 24, 2015 (12 pgs).

Korean Office Action issued in application No. 30-2015-0029561, M001, dated Jun. 9, 2016 (16 pgs).

Korean Office Action issued in application No. 30-2015-0029561, M002, dated Jun. 9, 2016 (3 pgs).

Liang, Yafen et al., "Nasal Ventilation is More Effective than Combined Oral-Nasal Ventilation during Induction of General Anesthesia in Adult Subjects", *Anesthesiology* 2008, vol. 108, No. 6, Jun. 2008, pp. 998-1003.

Notice of Allowance (Corrected) issued in U.S. Appl. No. 15/288,973, dated Mar. 10, 2017 (9 pgs).

Notice of Allowance (Corrected) issued in U.S. Appl. No. 15/288,973, dated Mar. 24, 2017 (9 pgs).

Notice of Allowance (Corrected) issued in U.S. Appl. No. 15/288,973, dated Feb. 10, 2017 (16 pgs).

Notice of Allowance issued in U.S. Appl. No. 15/288,973, dated Feb. 1, 2017 (25 pgs).

Notice of Decision of Registration for Design issued in Korean Design Application 30-20016-0014111, dated Dec. 13, 2016 (3 pages with translation).

Office Action issued in U.S. Appl. No. 15/272,074, dated Apr. 19, 2017 (54 pgs).

Office Action issued in U.S. Appl. No. 15/272,074, dated Jul. 31, 2017 (34 pgs).

Office Action issued in U.S. Appl. No. 15/272,074, dated Sep. 13, 2017 (5 pgs).

Office Action issued in U.S. Appl. No. 15/272,160, dated Apr. 24, 2017 (39 pgs).

Office Action issued in U.S. Appl. No. 15/272,160, dated Dec. 15, 2017 (34 pgs).

Office Action Issued in U.S. Appl. No. 15/272,160, dated Jan. 4, 2017 (31 pgs).

Office Action issued in U.S. Appl. No. 15/272,190, dated Dec. 28, 2017 (22 pgs).

Office Action issued in U.S. Appl. No. 15/272,190, dated Jan. 30, 2017 (32 pgs).

Office Action issued in U.S. Appl. No. 15/272,190, dated Jun. 21, 2017 (7 pgs).

Office Action issued in U.S. Appl. No. 15/272,190, dated May 23, 2017 (36 pgs).

Office Action issued in U.S. Appl. No. 15/288,973, dated Dec. 14, 2016 (21 pgs).

Office Action issued in U.S. Appl. No. 29/520,420, dated Apr. 7, 2017 (3 pgs).

Office Action issued in U.S. Appl. No. 29/520,420, dated Dec. 8, 2017 (5 pgs).

Office Action issued in U.S. Appl. No. 29/520,420, dated Feb. 24, 2017 (14 pgs).

Office Action issued in U.S. Appl. No. 29/520,420, dated Jun. 15, 2017 (12 pgs).

Office Action issued in U.S. Appl. No. 29/530,124 dated Aug. 9, 2017 (11 pgs).

Office Action issued in U.S. Appl. No. 29/530,124, dated Apr. 19, 2017 (6 pgs).

Office Action issued in U.S. Appl. No. 29/530,124, dated Aug. 12, 2016 (17 pgs).

Office Action issued in U.S. Appl. No. 29/530,124, dated Aug. 30, 2017 (3 pgs).

Office Action issued in U.S. Appl. No. 29/530,124, dated Feb. 28, 2017 (16 pgs).

Office Action issued in U.S. Appl. No. 29/530,124, dated Jun. 21, 2017 (14 pgs).

Office Action issued in U.S. Appl. No. 29/530,124, dated Nov. 29, 2017 (31 pgs).

Office Action issued in related Design U.S. Appl. No. 29/520,420, dated Aug. 11, 2016 (18 pgs).

Preliminary Report on Patentability issued in application No. PCT/US2015/034277, dated Dec. 15, 2016 (11 pgs).

Singapore Invitation to Respond to Written Opinion issued in application No. 11201610048P, dated Sep. 19, 2017 (16 pgs).

(56)

References Cited

OTHER PUBLICATIONS

Singapore Invitation to Respond to Written Opinion issued in application No. 1120701253U, dated Nov. 8, 2017 (12 pgs).

Singapore Search Report issued in application 11201510589, dated Jan. 31, 2017 (11 pgs).

Sleep Medicine Solutions product description, <http://sleepmedicinesolutions.net.au/cpap-spare-parts/26-fisher-paykel-zest-foams.html>, downloaded Jul. 28, 2016, 2 pages.

Sleepnet homepage, <http://web.archive.org/web/201110311122613/http://www.sleepnetmasks.com/>, downloaded Jul. 28, 2016, 4 pages.

* cited by examiner

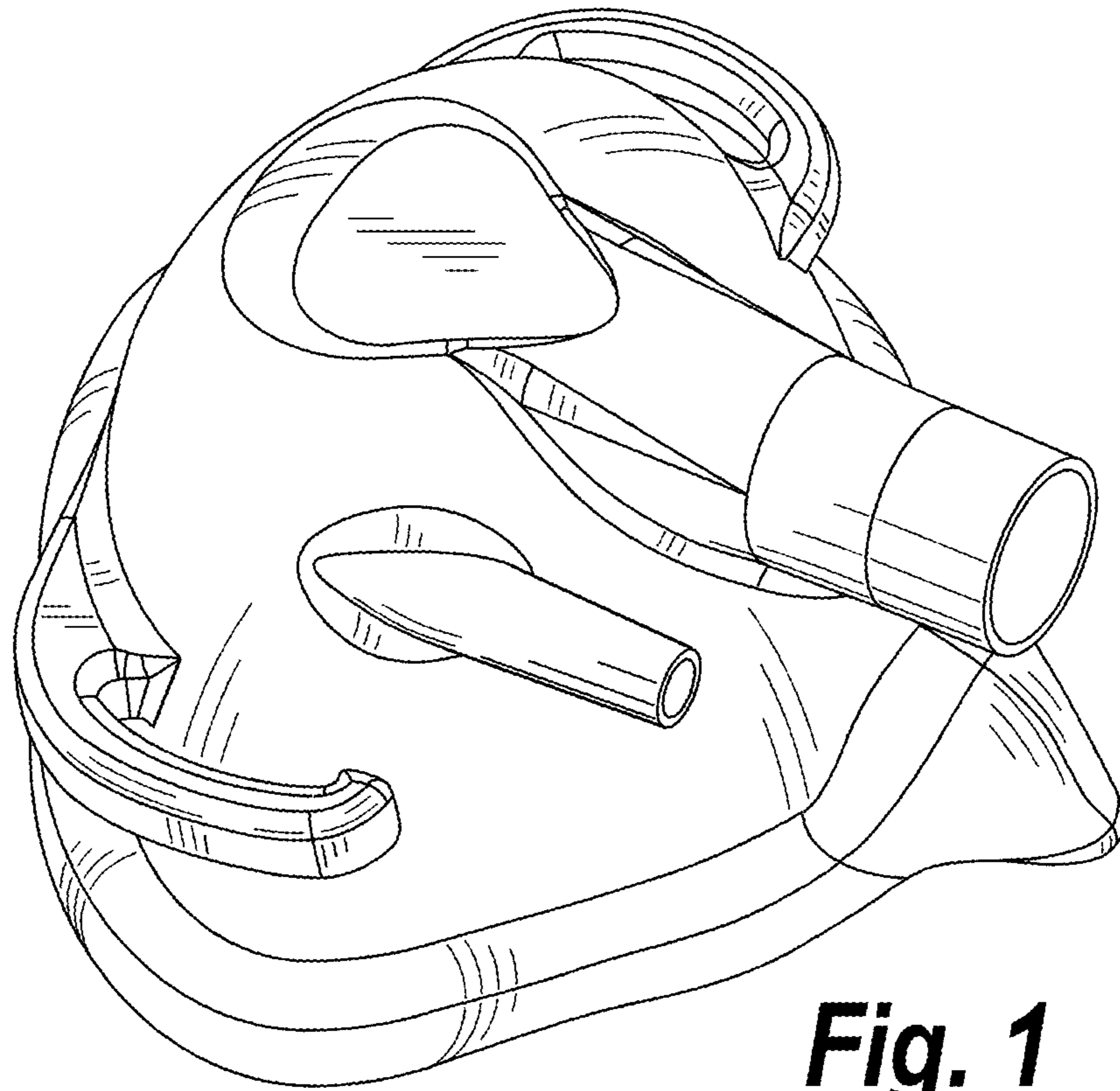


Fig. 1

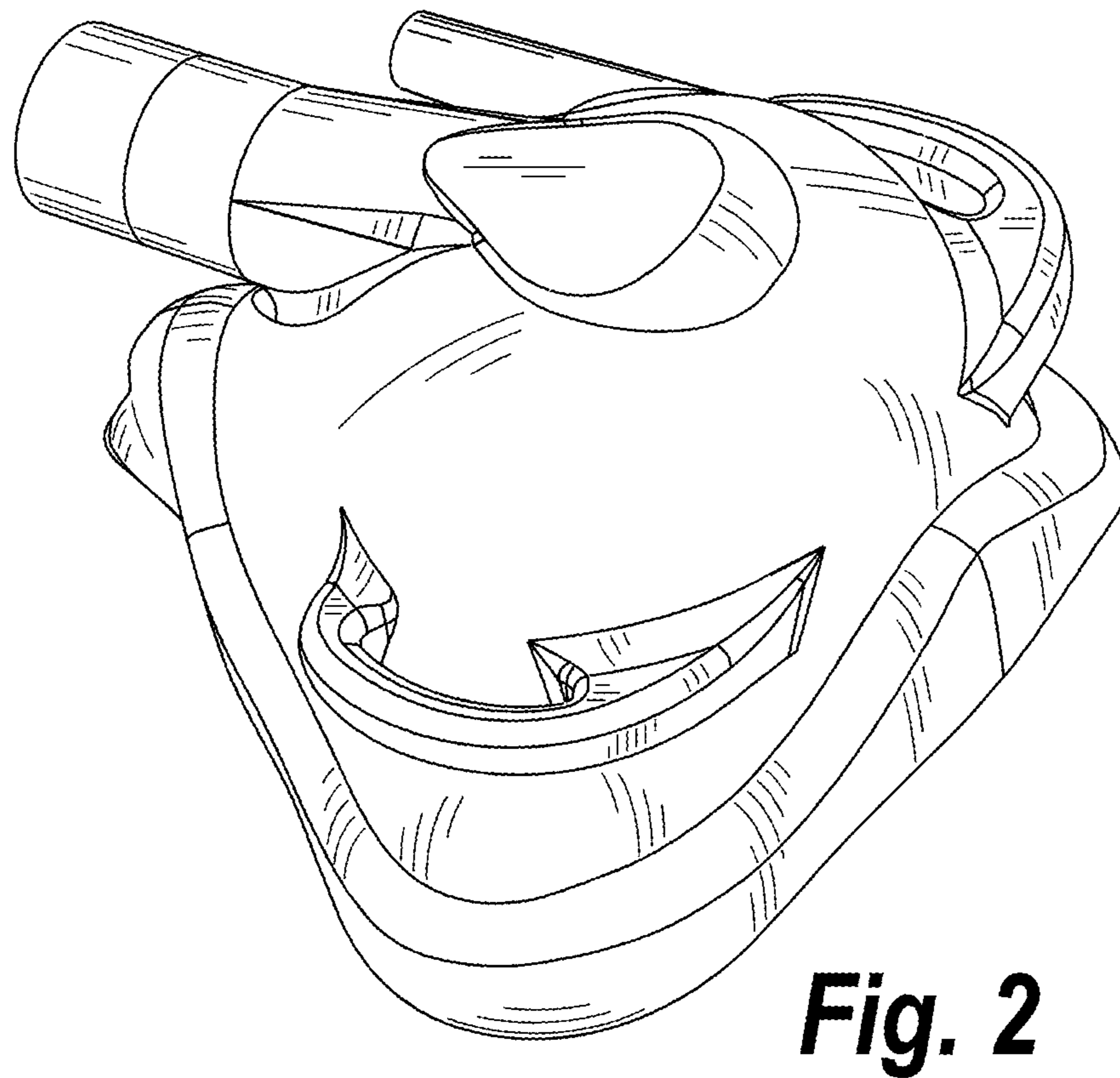


Fig. 2

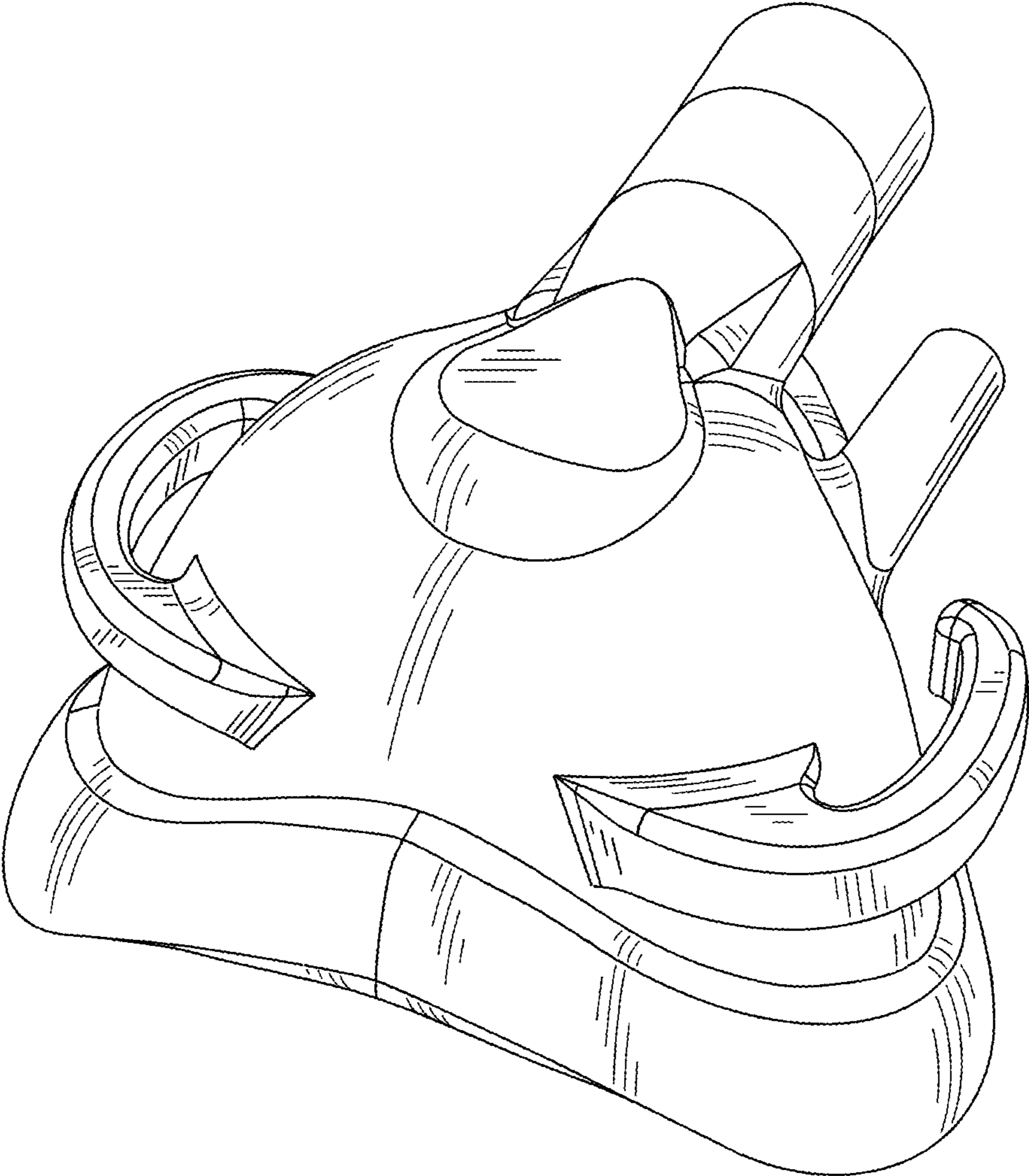


Fig. 3

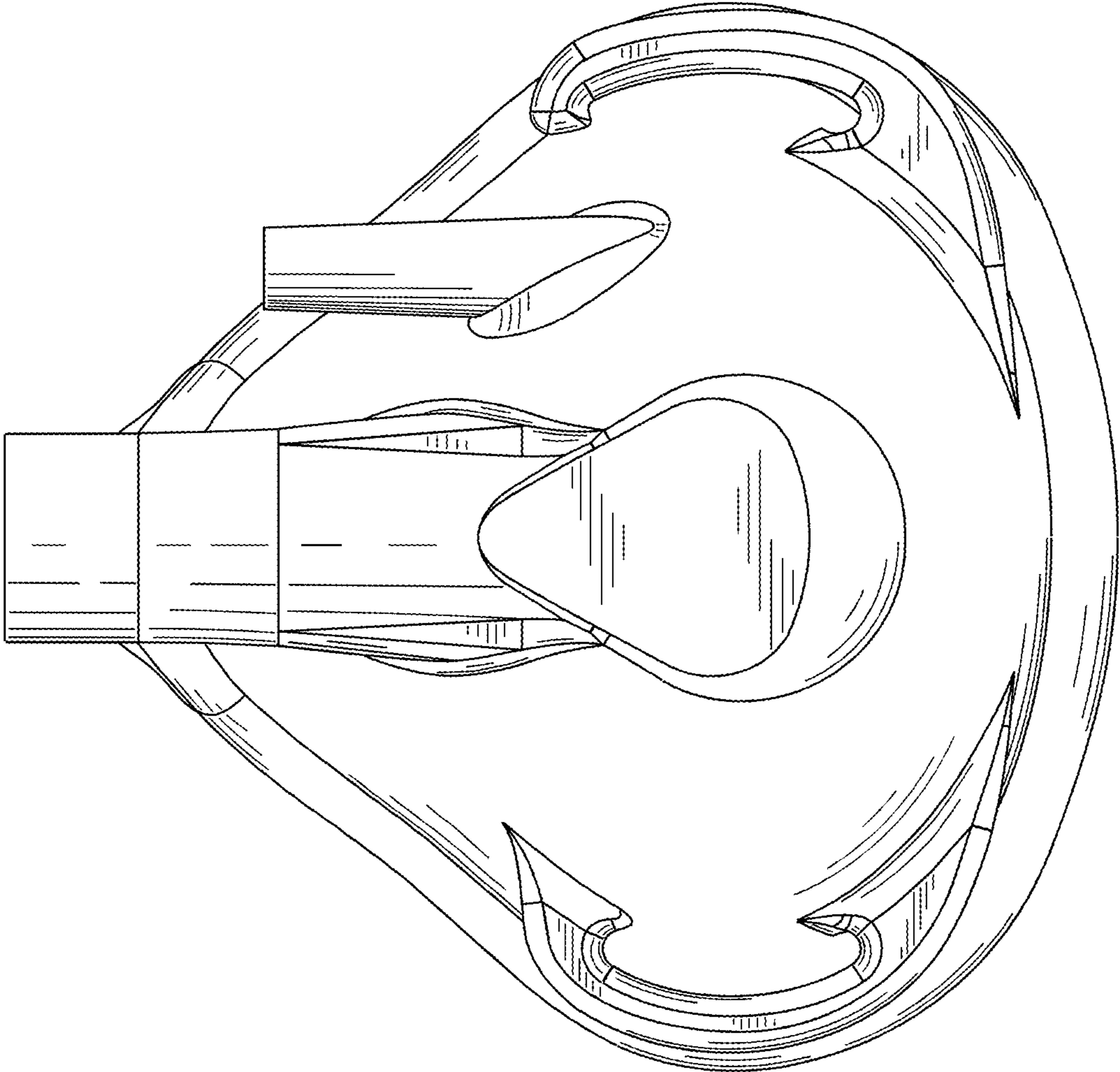


Fig. 4

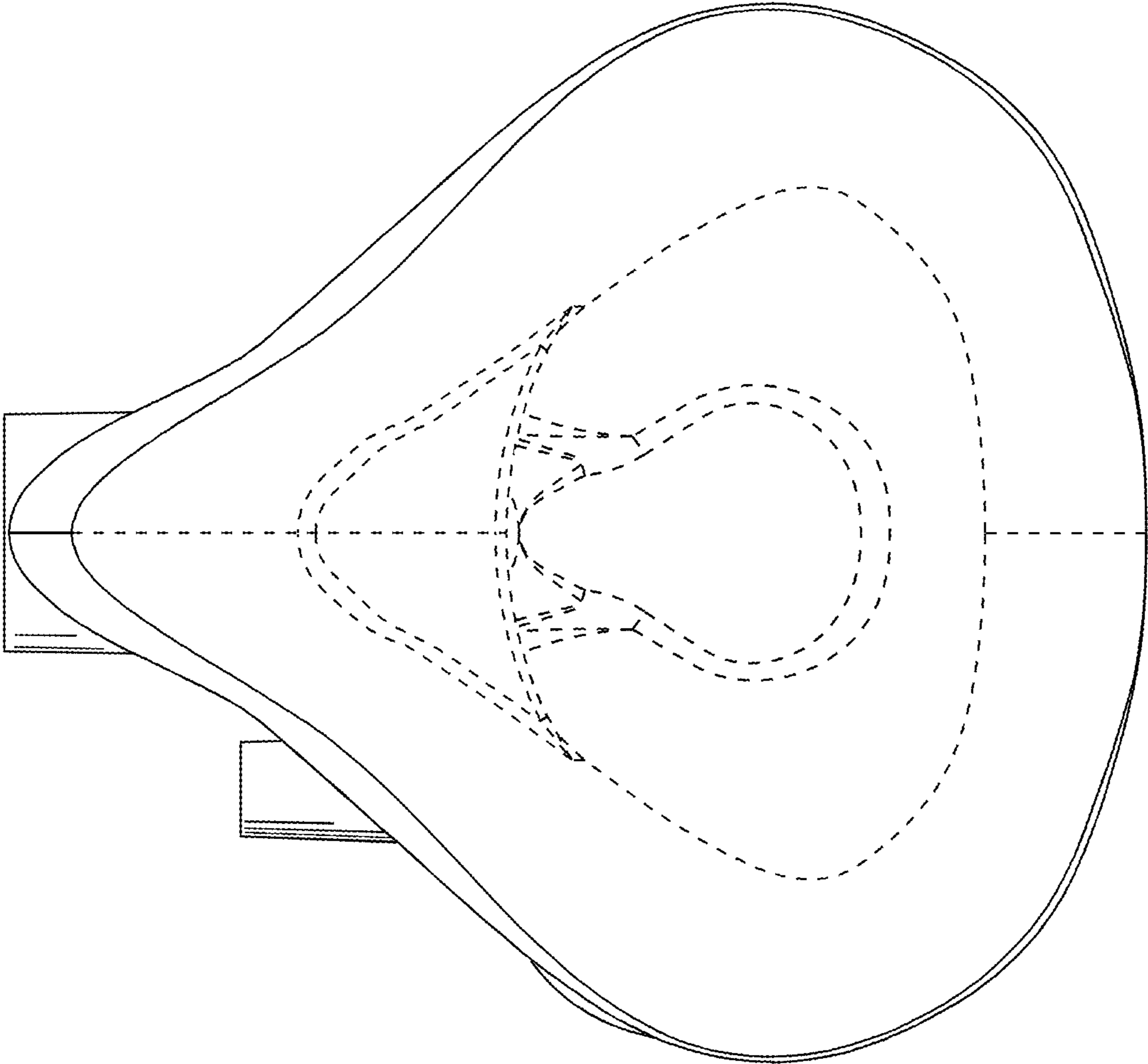


Fig. 5

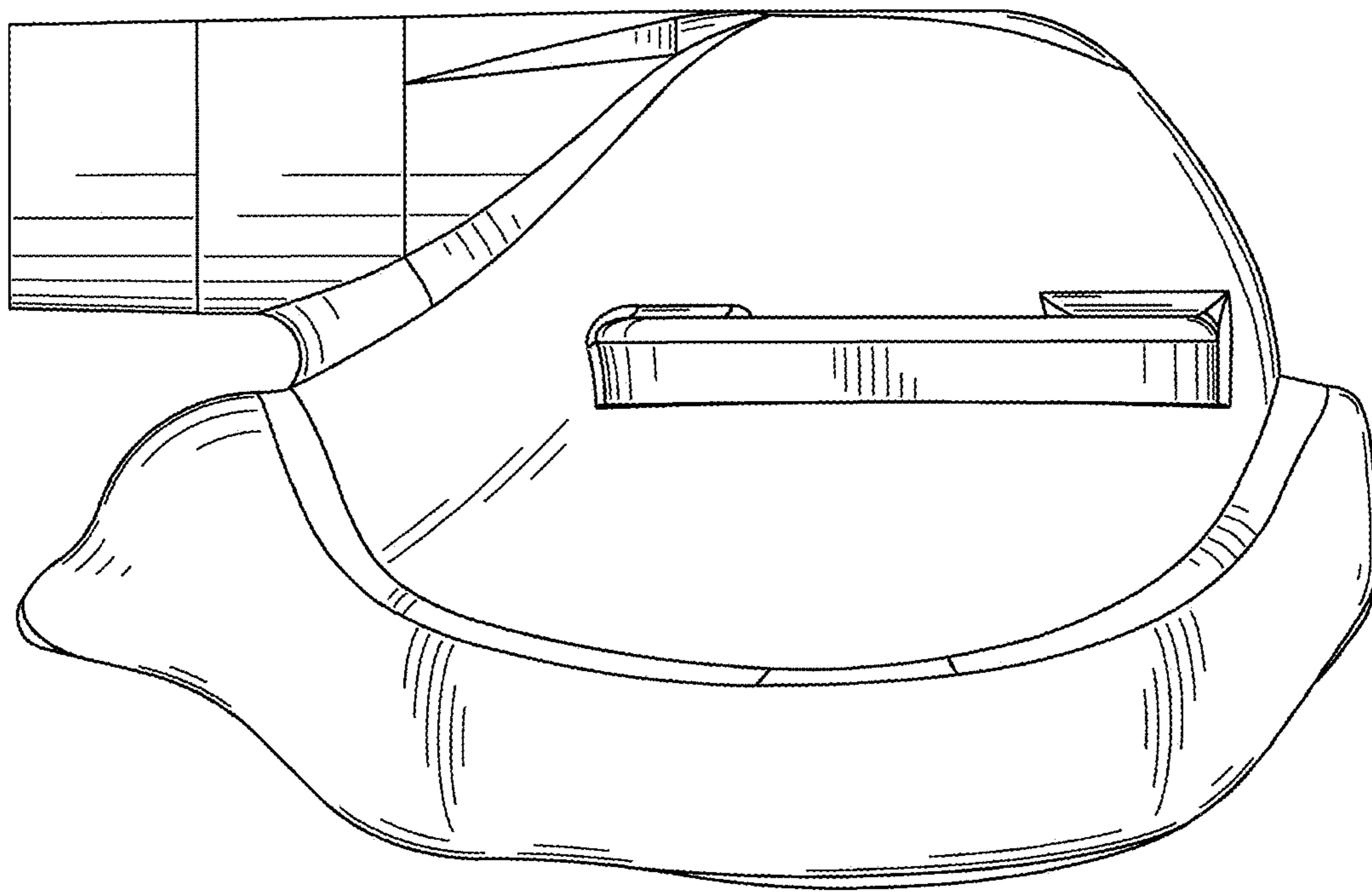


Fig. 6

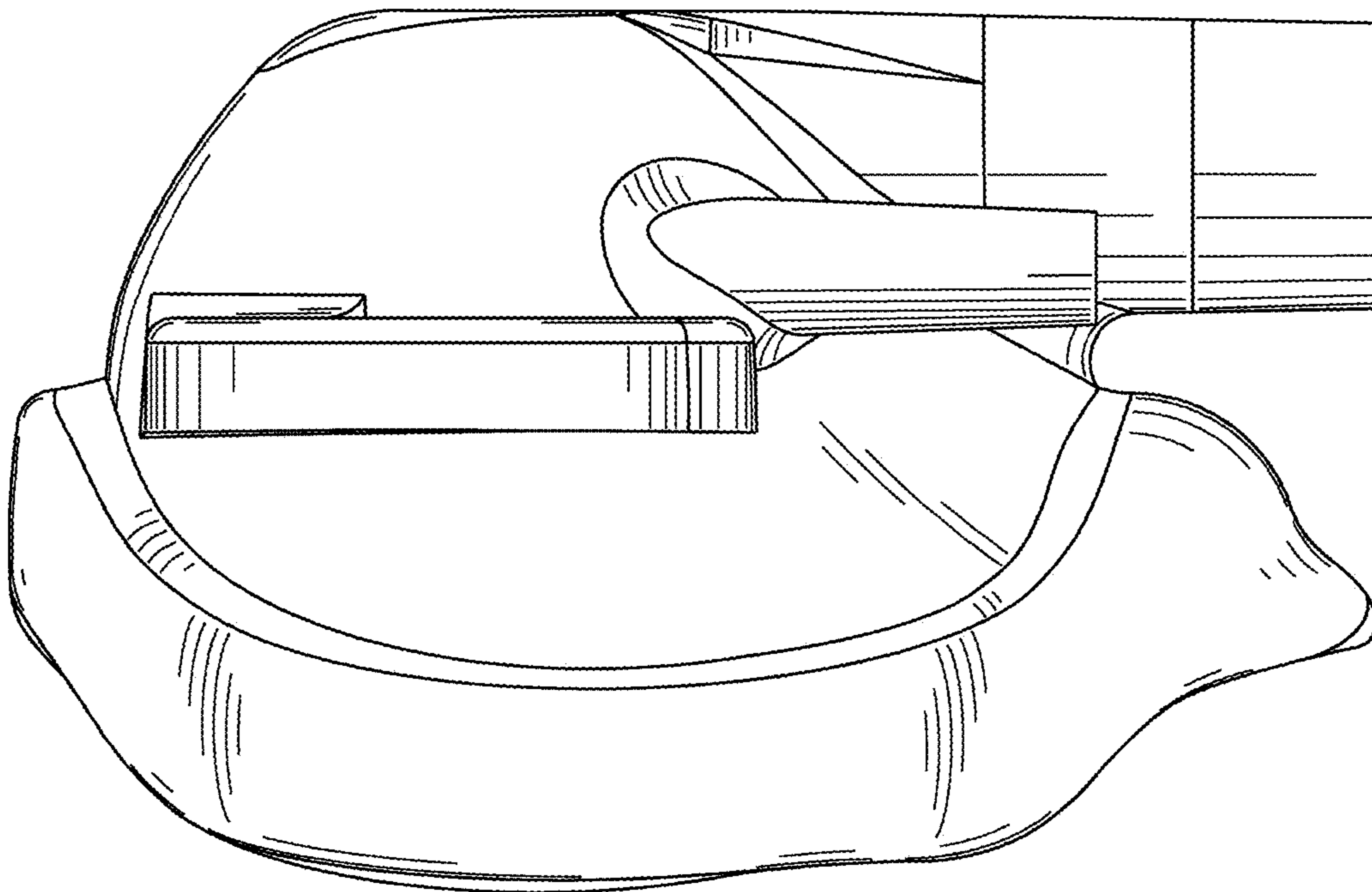


Fig. 7

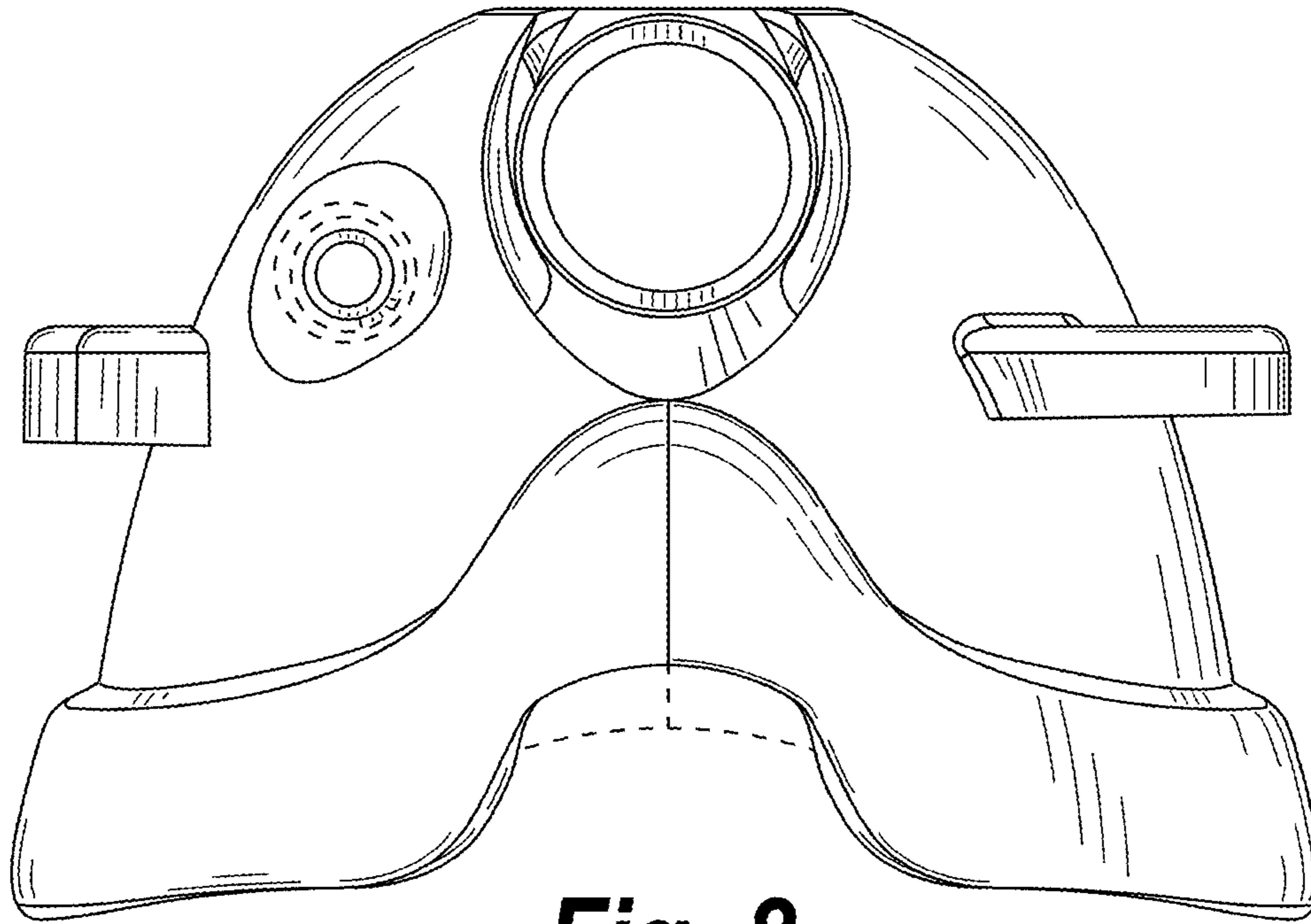


Fig. 8

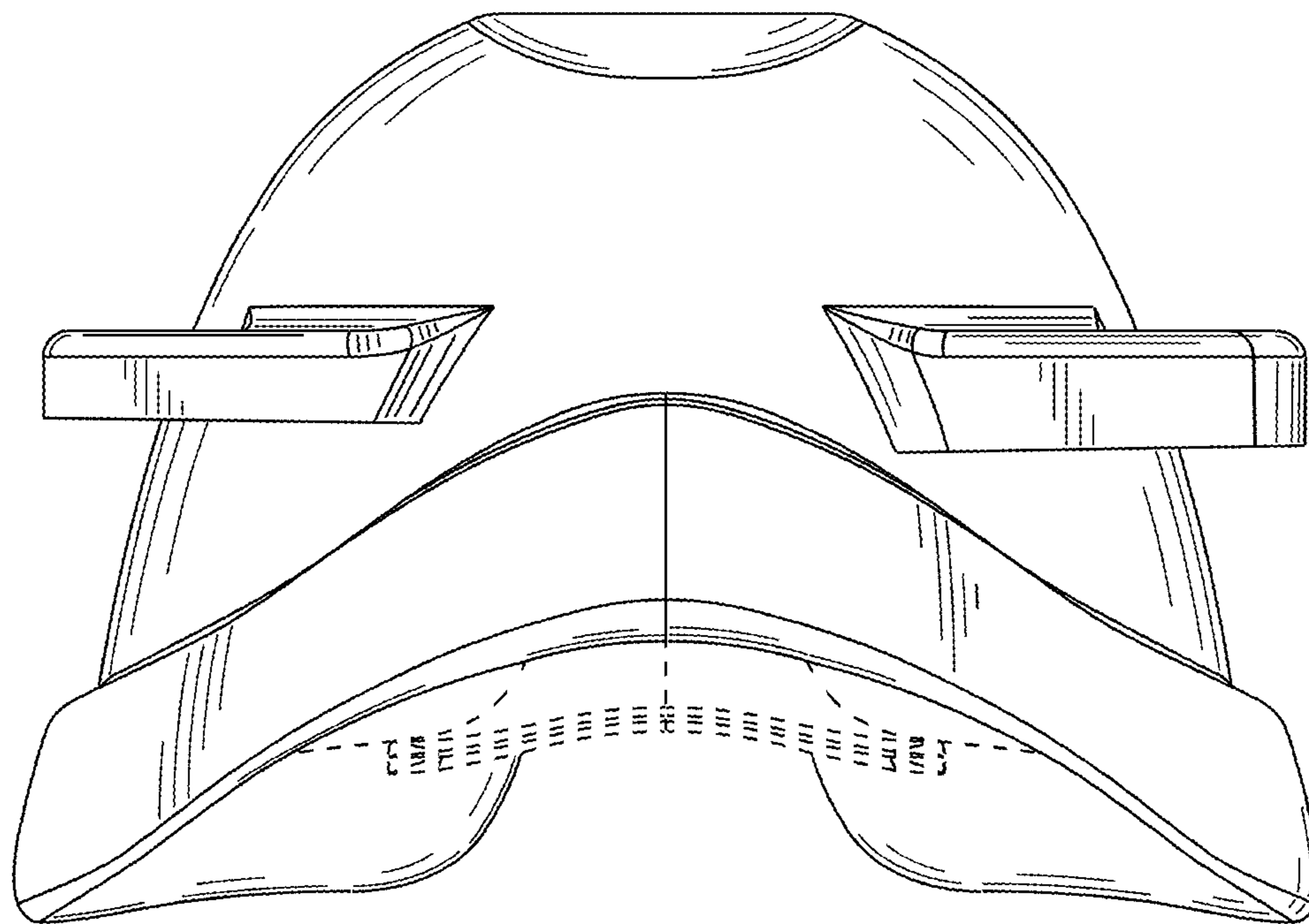


Fig. 9