



US00D898186S

(12) **United States Design Patent** (10) **Patent No.:** **US D898,186 S**
Sanso et al. (45) **Date of Patent:** **** Oct. 6, 2020**

(54) **COMBINATION NASAL AND SINUS CAVITY SOLUTION DELIVERY DEVICE**

(71) Applicant: **SinOptim, LLC**, Longmont, CO (US)

(72) Inventors: **David W. Sanso**, Morrison, CO (US);
Stephen W. Chandler, Montgomery, AL (US); **Jamie R. Korte**, Golden, CO (US)

(73) Assignee: **SINOPTIM, LLC**, Longmont, CO (US)

(**) Term: **15 Years**

(21) Appl. No.: **29/603,068**

(22) Filed: **May 5, 2017**

(51) **LOC (12) Cl.** **29-02**

(52) **U.S. Cl.**
USPC **D24/110**

(58) **Field of Classification Search**
USPC D24/110, 108, 128
CPC A61M 31/00; A61M 15/08; A61M 11/00
See application file for complete search history.

(56) **References Cited**

U.S. PATENT DOCUMENTS

D426,300 S *	6/2000	Conforti	D24/115
D712,535 S *	9/2014	Du	D24/108
D753,362 S *	4/2016	Wu	D32/35
D779,054 S *	2/2017	Mehta	D24/115
D808,514 S *	1/2018	Valenzuela Arteaga	D24/108
D846,731 S *	4/2019	Partsch, IV	D24/112
D848,610 S *	5/2019	Griffin	D24/119
2008/0154183 A1 *	6/2008	Baker	A61M 1/0058 604/28

2012/0029486 A1 *	2/2012	Laerdal	A61M 1/0003 604/540
2013/0310747 A1 *	11/2013	Lambert	A61M 1/0076 604/149
2016/0263295 A1 *	9/2016	Mehta	A61M 1/0003

* cited by examiner

Primary Examiner — Sheryl Lane

Assistant Examiner — Aula Soroushi

(74) *Attorney, Agent, or Firm* — Faegre Drinker Biddle & Reath LLP

(57) **CLAIM**

The ornamental design for combination nasal and sinus cavity solution delivery device, as shown and described.

DESCRIPTION

FIG. 1 is a front perspective view of a combination nasal and sinus cavity solution delivery device illustrating our new design;

FIG. 2 is a rear perspective view of the combination nasal and sinus cavity solution delivery device of FIG. 1;

FIG. 3 is a rear side view of the combination nasal and sinus cavity solution delivery device of FIG. 1;

FIG. 4 is a front side view of the combination nasal and sinus cavity solution delivery device of FIG. 1;

FIG. 5 is a right side view of the combination nasal and sinus cavity solution delivery device of FIG. 1;

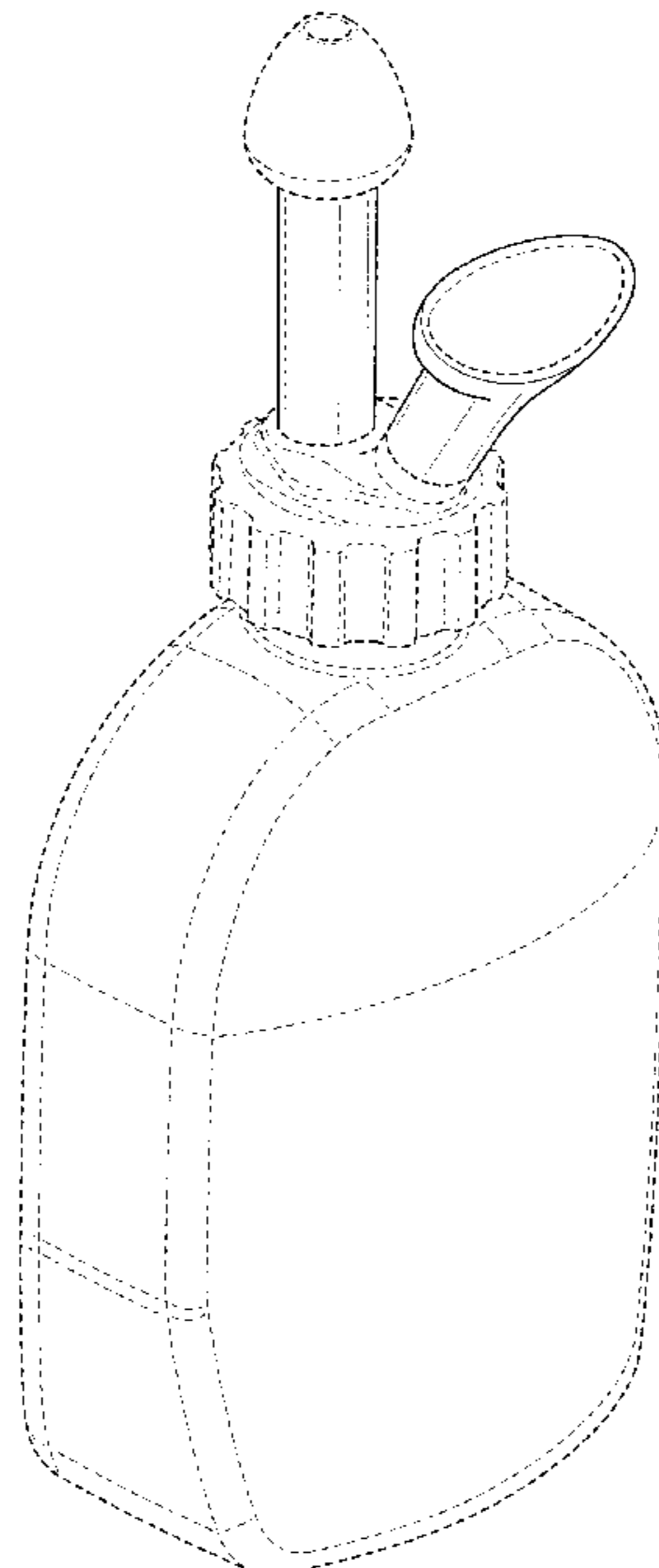
FIG. 6 is a left side view of the combination nasal and sinus cavity solution delivery device of FIG. 1;

FIG. 7 is a top view of the combination nasal and sinus cavity solution delivery device of FIG. 1; and,

FIG. 8 is a bottom view of the combination nasal and sinus cavity solution delivery device of FIG. 1.

The broken lines in the drawings illustrate portions of the combination nasal and sinus cavity solution delivery device that form no part of the claimed design.

1 Claim, 8 Drawing Sheets



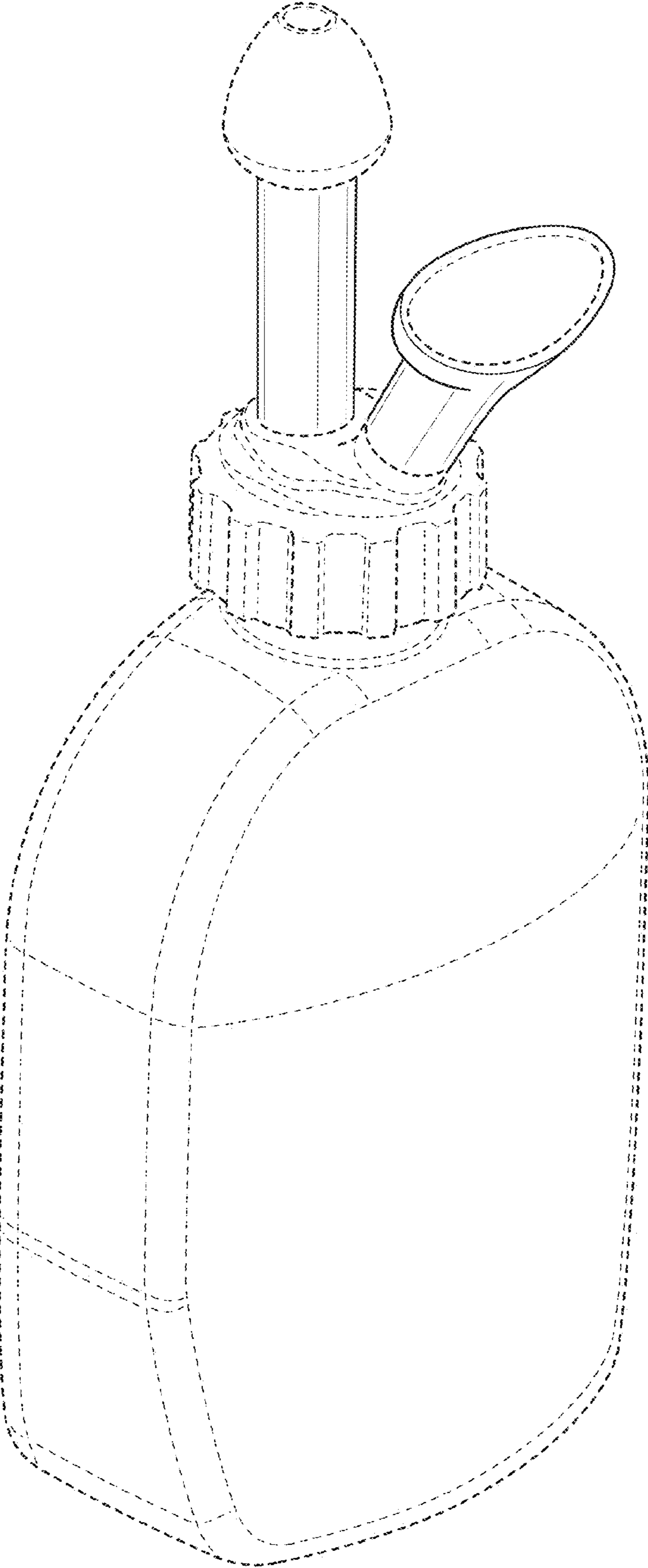


FIG. 1

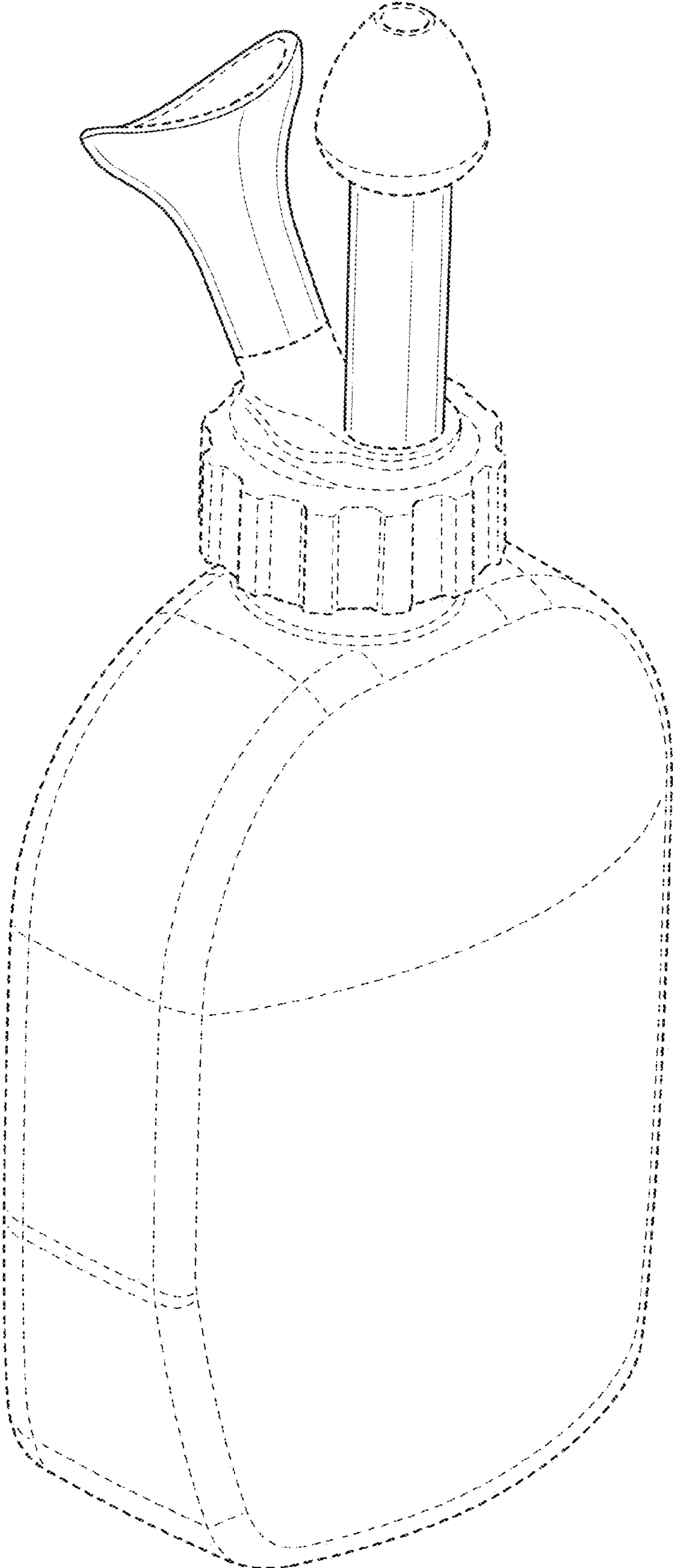


FIG. 2

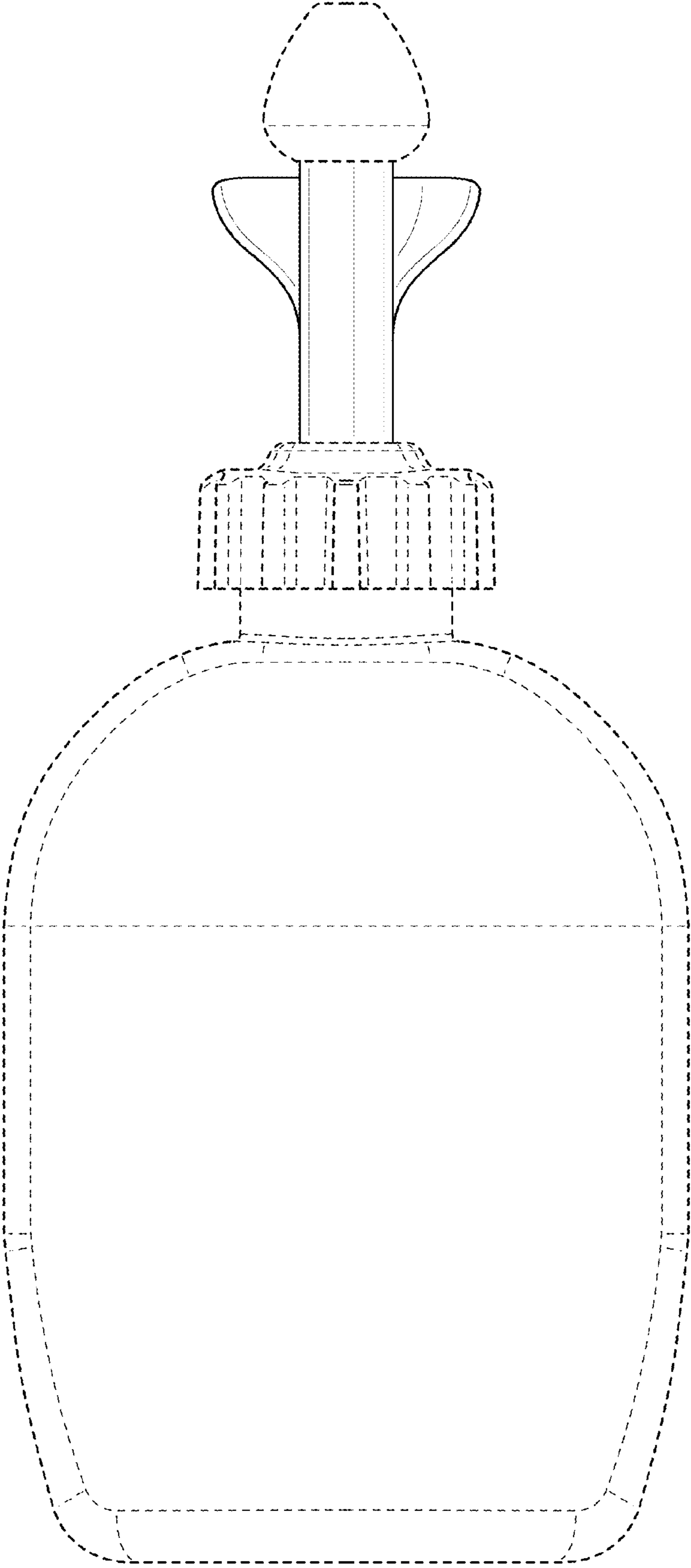


FIG. 3

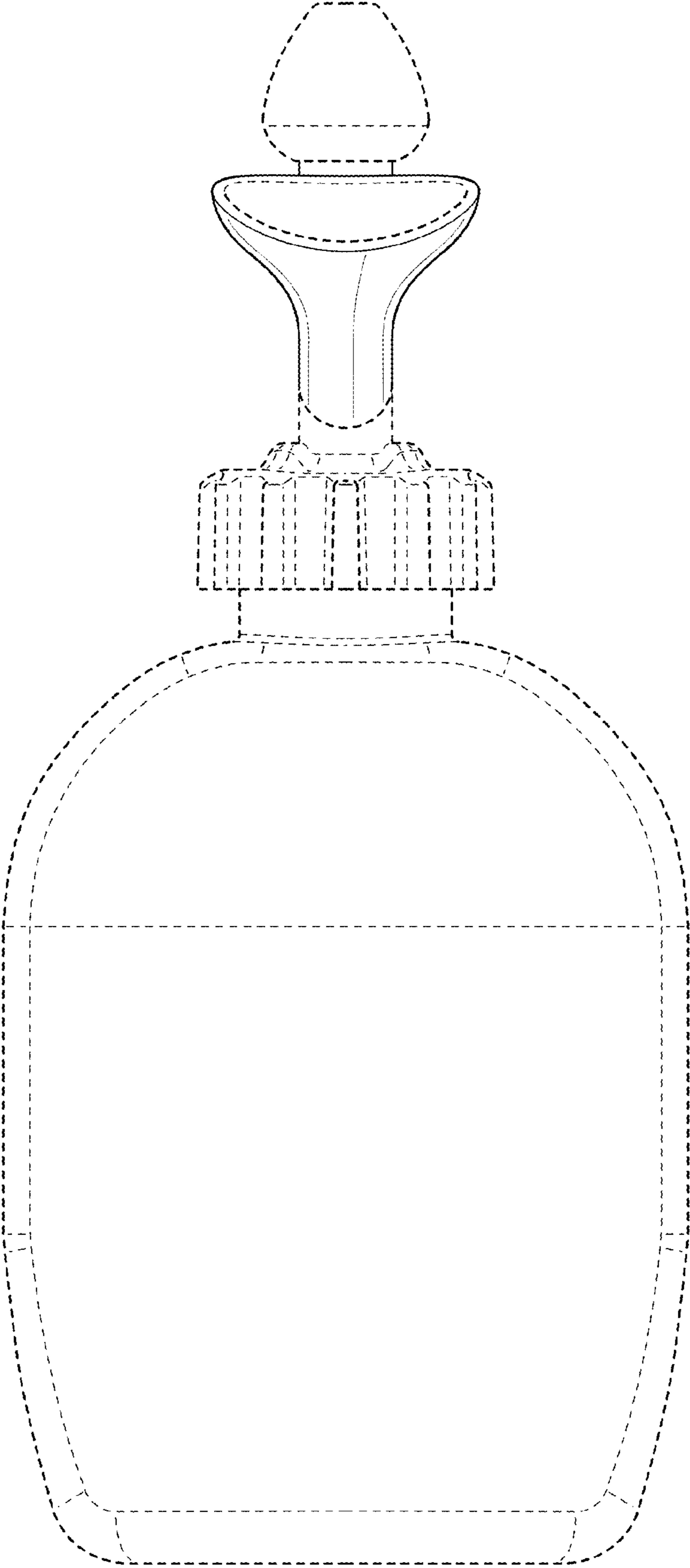


FIG. 4

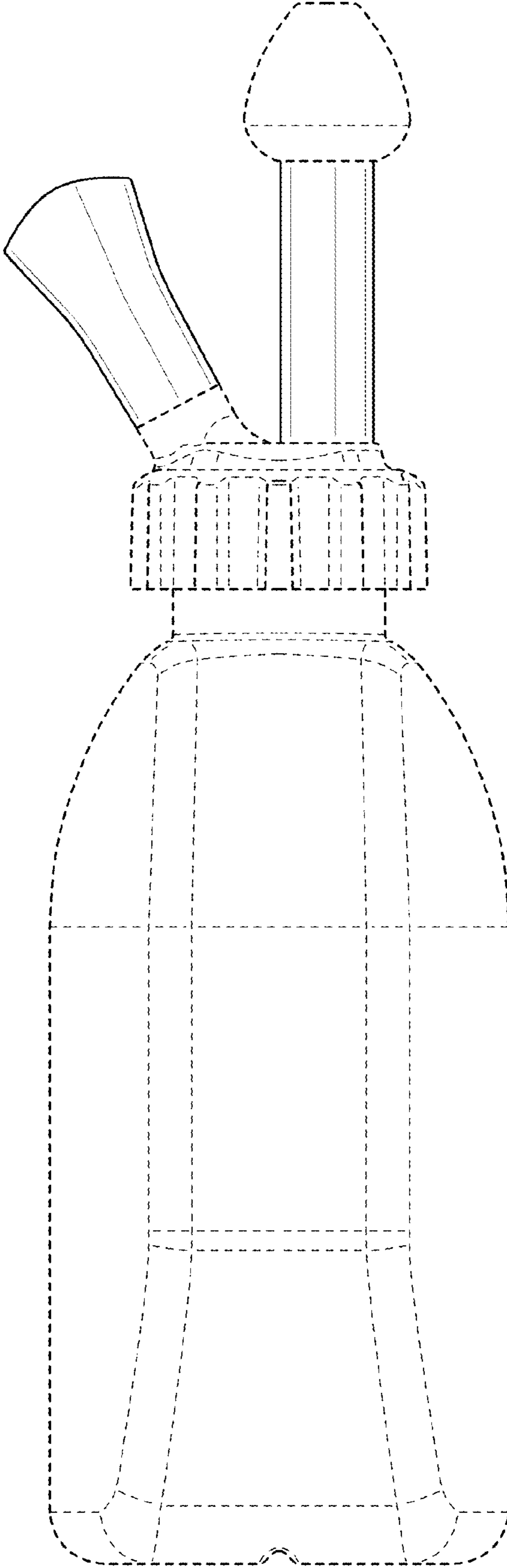


FIG. 5

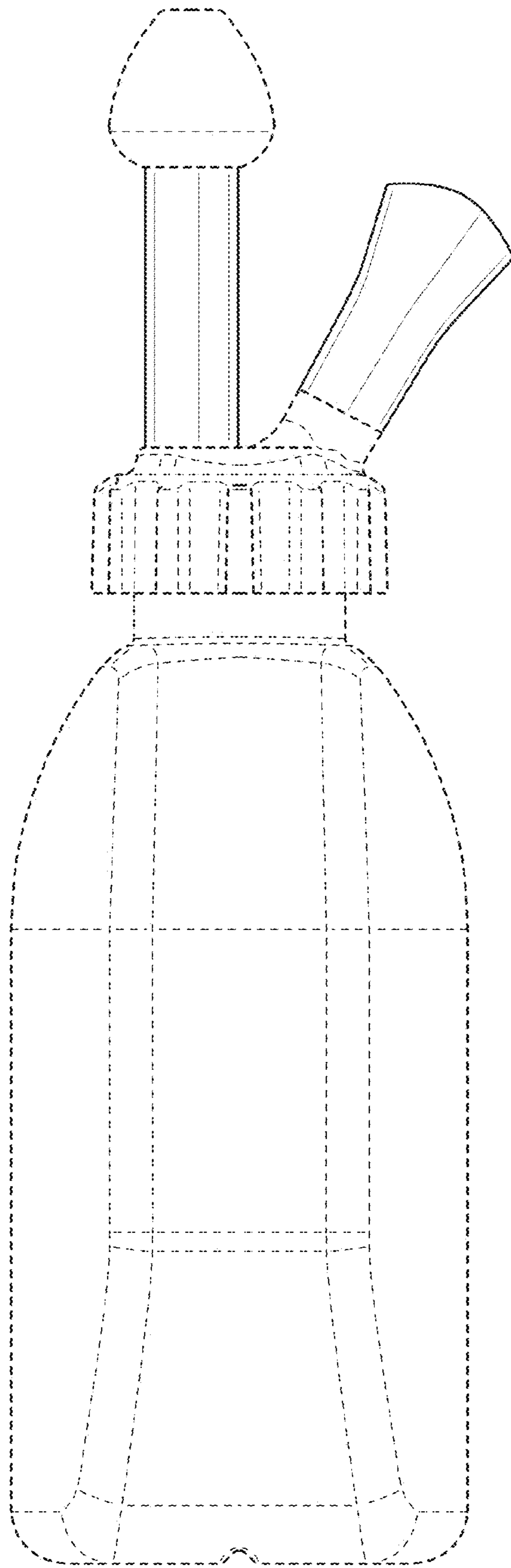


FIG. 6

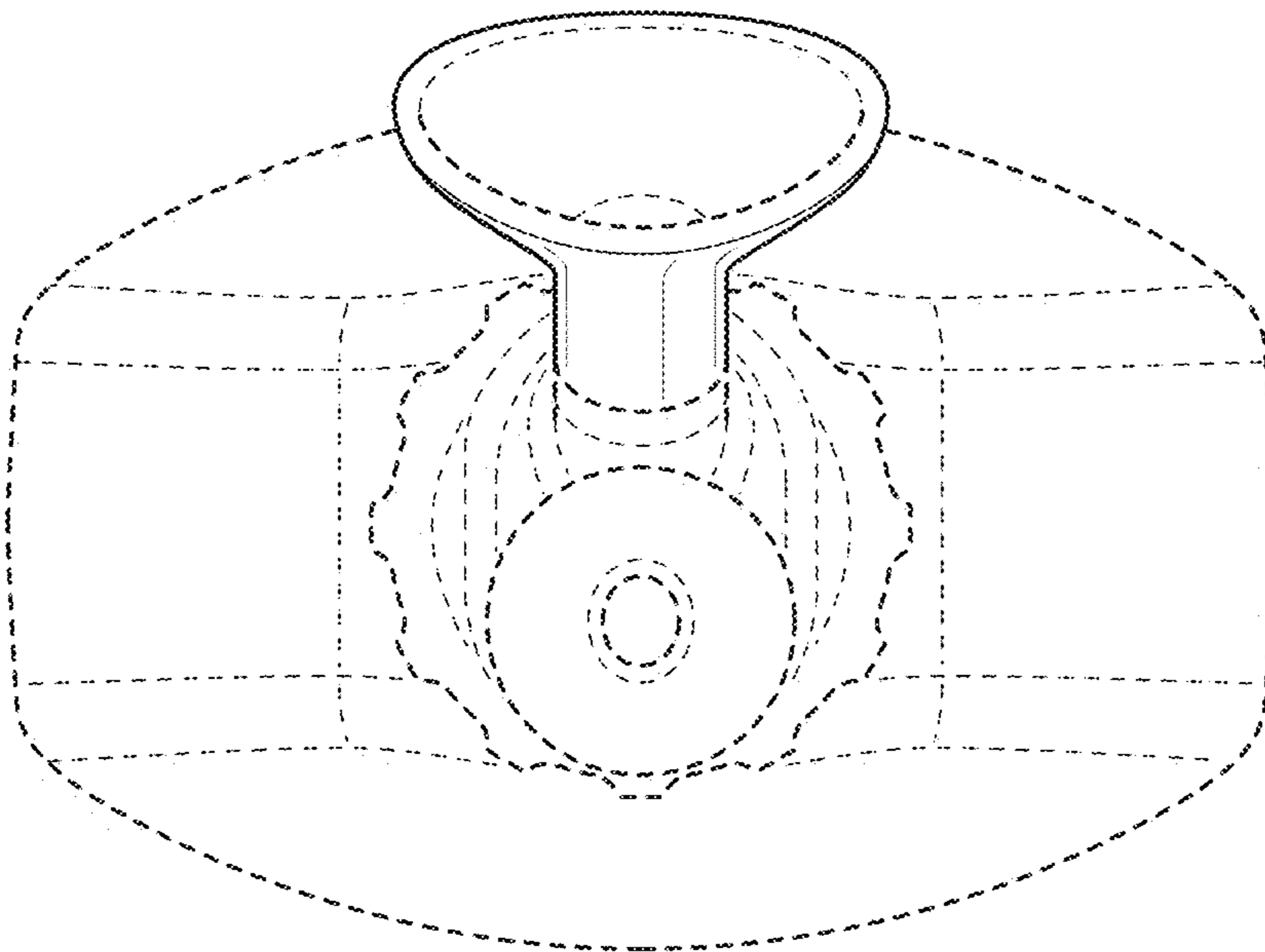


FIG. 7

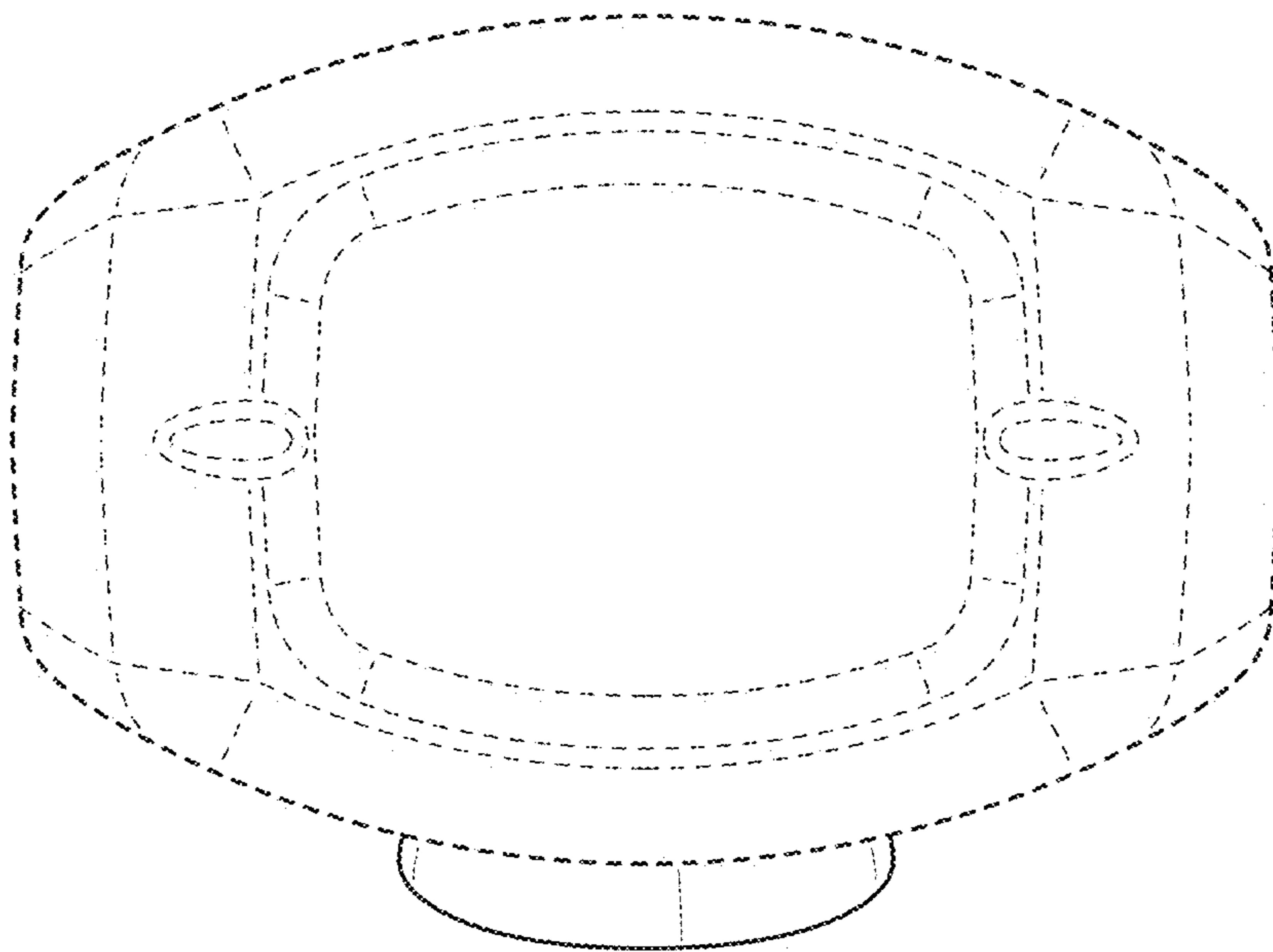


FIG. 8