



US00D898183S

(12) **United States Design Patent** (10) **Patent No.:** **US D898,183 S**
Zhou (45) **Date of Patent:** **** Oct. 6, 2020**

(54) **MESH STRUCTURE FOR A GAS BURNER**
(71) Applicant: **Dongsheng Zhou**, Cupertino, CA (US)
(72) Inventor: **Dongsheng Zhou**, Cupertino, CA (US)
(**) Term: **15 Years**
(21) Appl. No.: **29/593,009**
(22) Filed: **Feb. 4, 2017**
(51) **LOC (12) Cl.** **23-03**
(52) **U.S. Cl.**
USPC **D23/415**
(58) **Field of Classification Search**
USPC D23/415, 402; D7/334, 337, 407, 332
CPC F24C 3/00; F24C 3/12
See application file for complete search history.

(56) **References Cited**
U.S. PATENT DOCUMENTS
3,824,984 A * 7/1974 Swanson F24C 1/06
126/25 R
3,877,458 A * 4/1975 Allander F24C 3/14
126/44
3,900,281 A * 8/1975 Penberthy F23C 99/00
431/344
4,705,020 A * 11/1987 Hahn F24C 3/14
126/38
4,954,075 A * 9/1990 Francino F21L 19/00
126/39 R
D416,750 S * 11/1999 Persson D7/337
5,983,883 A * 11/1999 Moulder F24C 3/14
126/38
D542,908 S * 5/2007 Tschop D23/402
D610,390 S * 2/2010 Nishijima D7/332
D683,999 S * 6/2013 Karlsson D7/337

10,072,838 B2 * 9/2018 Kim F23D 11/46
2007/0006868 A1 * 1/2007 Svedlund F24C 3/14
126/39 N
2007/0087297 A1 * 4/2007 Long F23D 11/46
431/247

OTHER PUBLICATIONS

Smoking Pipe Screens by Aqua Lab Technologies. Available date May 3, 2016 [site visited Nov. 26, 2019]. Available: < https://cdn.shopify.com/s/files/1/1971/3159/products/domeless_screen_marijuana_cannabis_hash_oil_bongs_pipes_glass_weed-2_1_00aae4cb-51ab-4447-881d-25da142a45f7_1600x.jpg?v=1546027688 > (Year: 2016).*

* cited by examiner

Primary Examiner — Kevin K Rudzinski

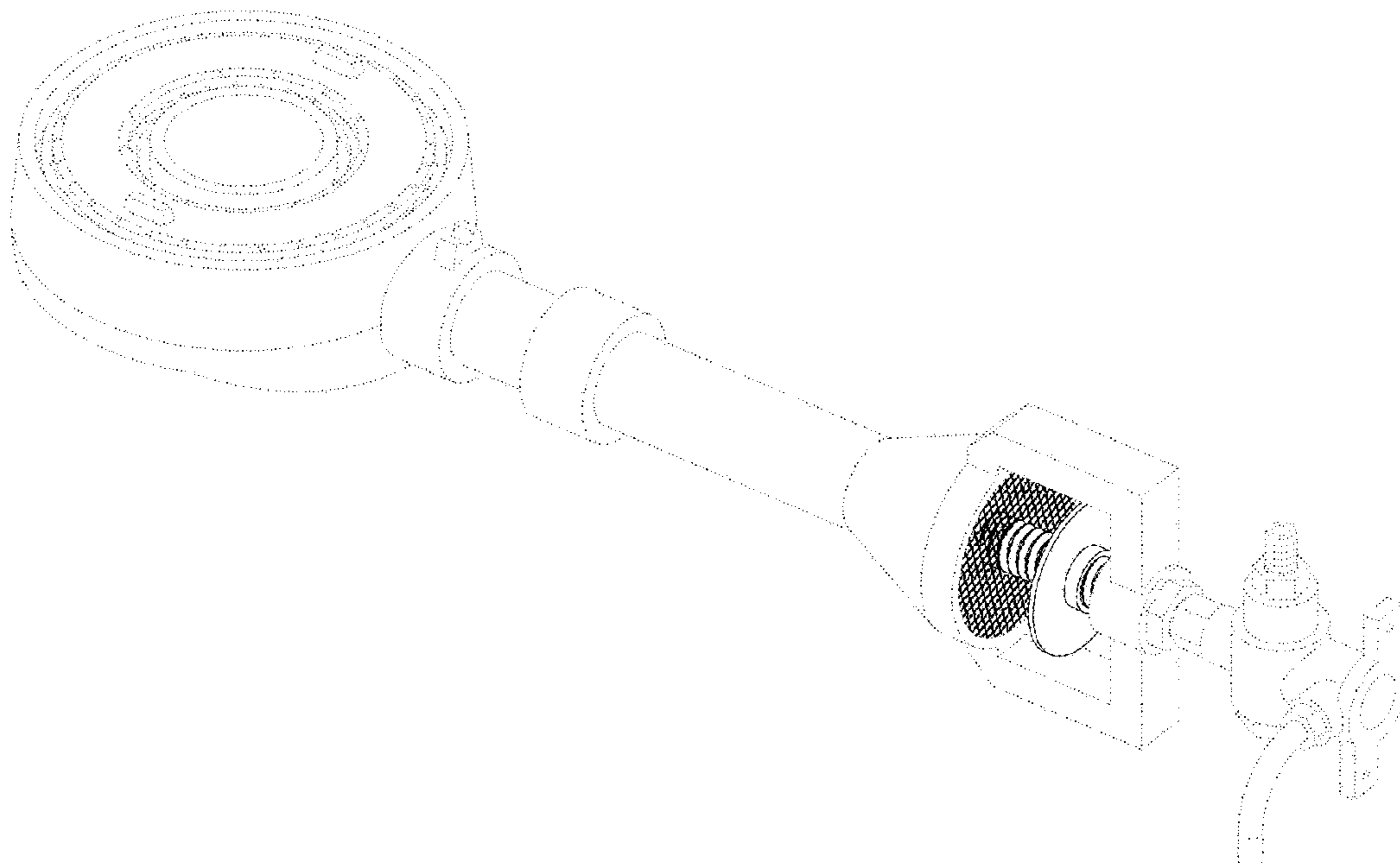
(57) **CLAIM**

The ornamental design for the mesh structure for a gas burner, as shown and described.

DESCRIPTION

FIG. 1 is a top perspective view of a burner showing my mesh structure for a gas burner;
FIG. 2 is a bottom perspective view thereof;
FIG. 3 is a top plan view thereof;
FIG. 4 is a front plan view thereof;
FIG. 5 is a bottom plan view thereof;
FIG. 6 is a rear plan view thereof;
FIG. 7 is a side elevation view thereof; and,
FIG. 8 is a side elevation view of the opposite side of FIG. 7; and,
FIG. 9 is my mesh structure for a gas burner without its surrounding environment.
The broken lines shown in the drawings illustrate environment of the mesh structure for a gas burner that form no part of the claimed design.

1 Claim, 9 Drawing Sheets



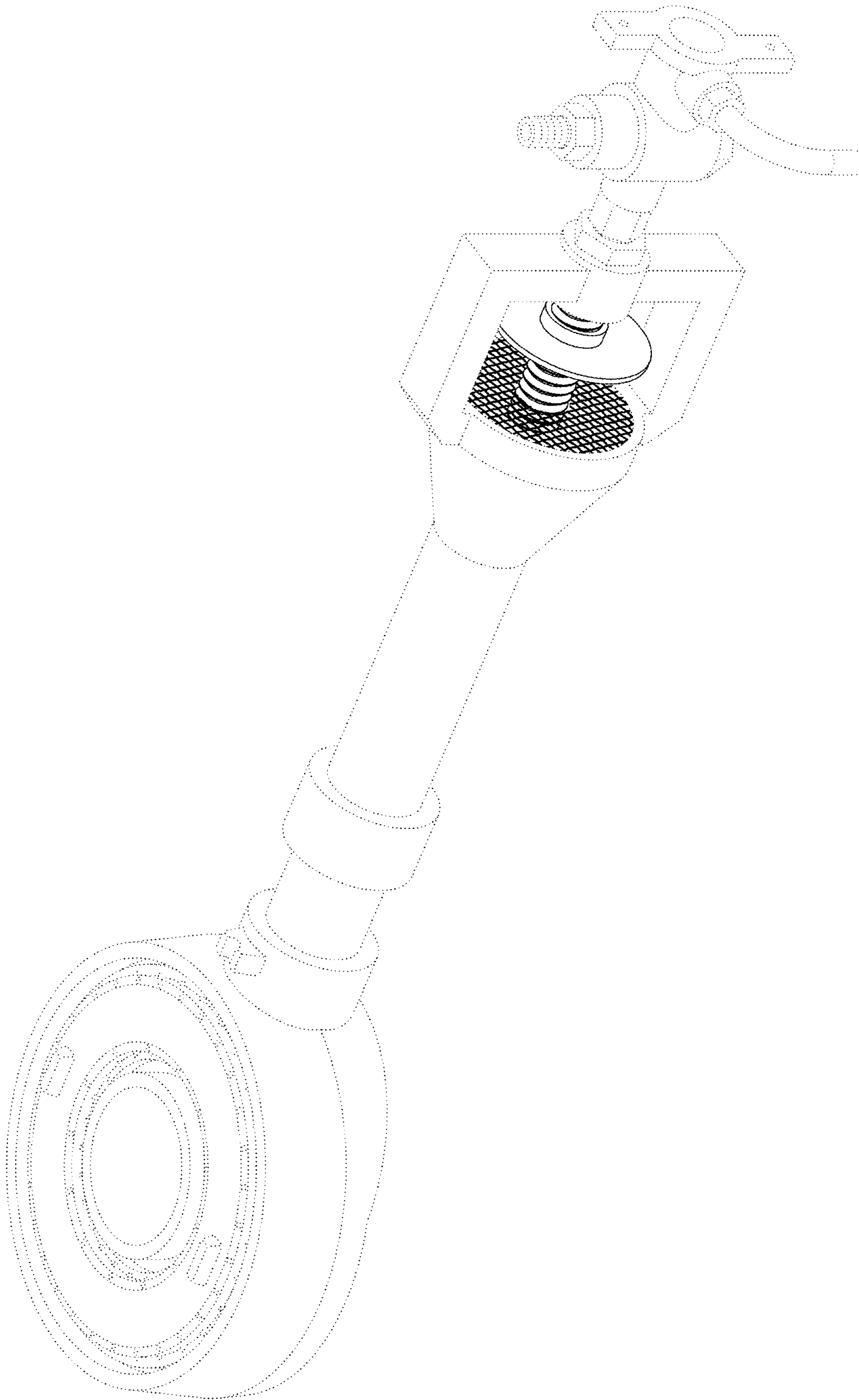


FIG. 1

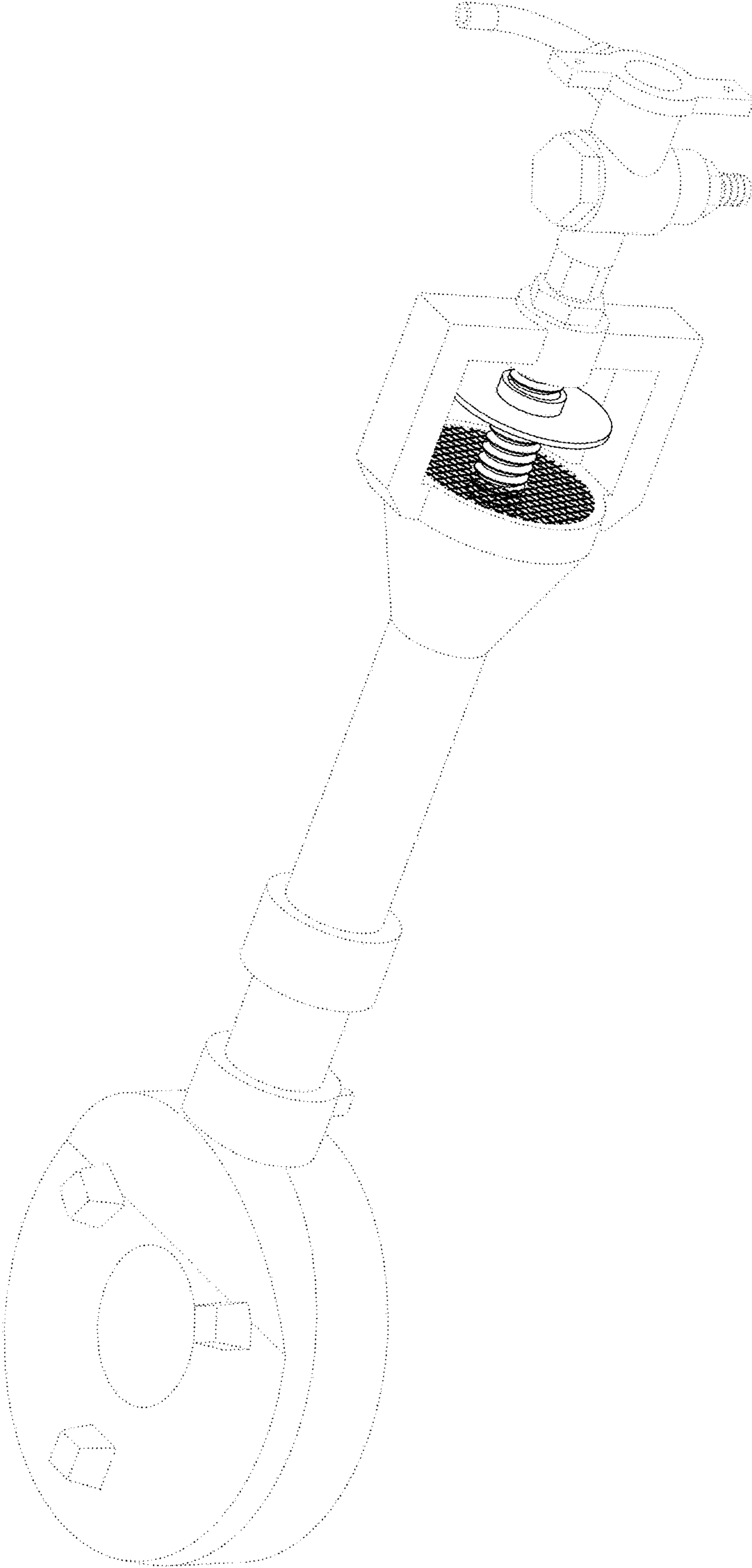


FIG. 2

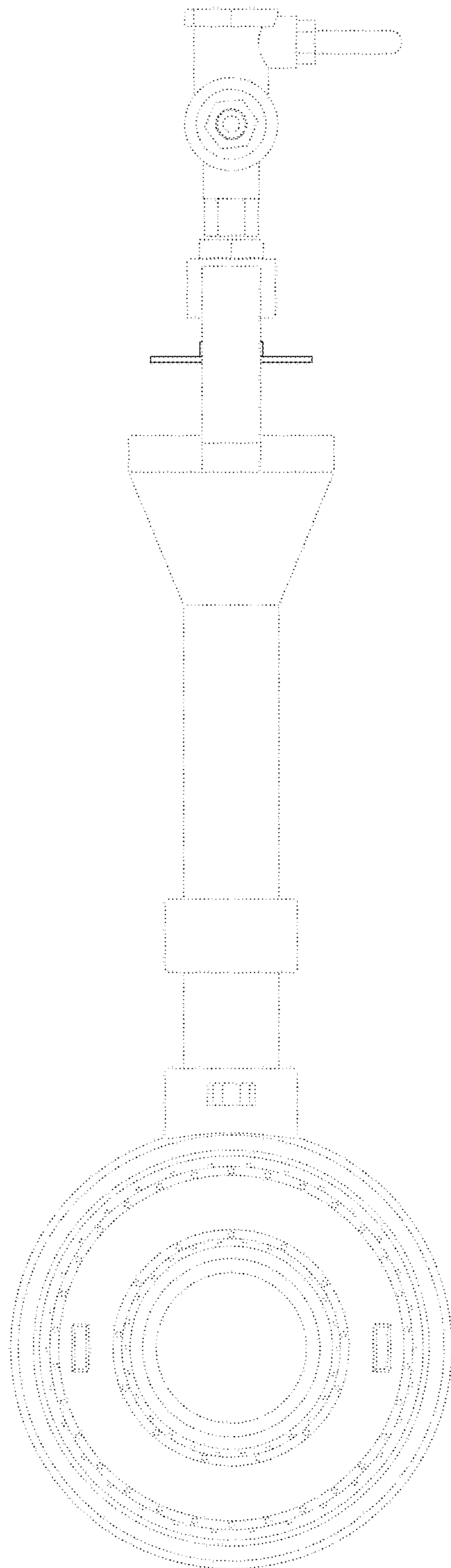


FIG. 3

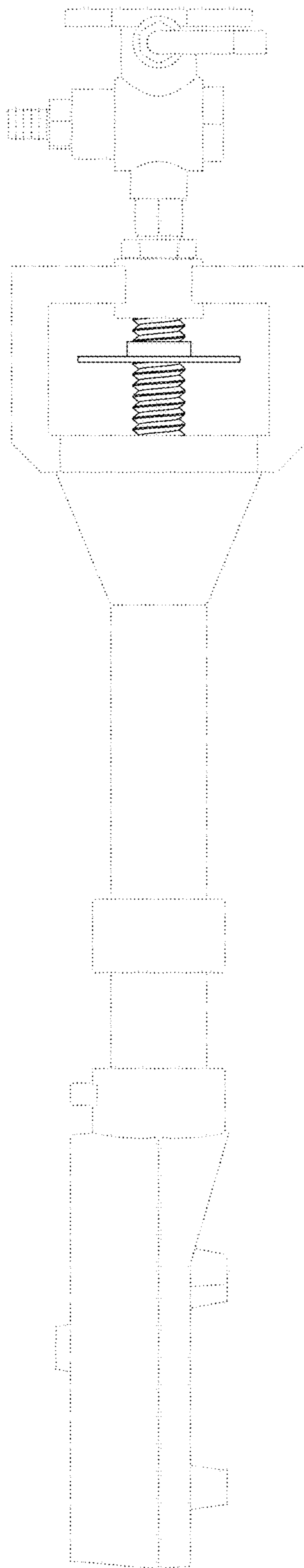


FIG. 4

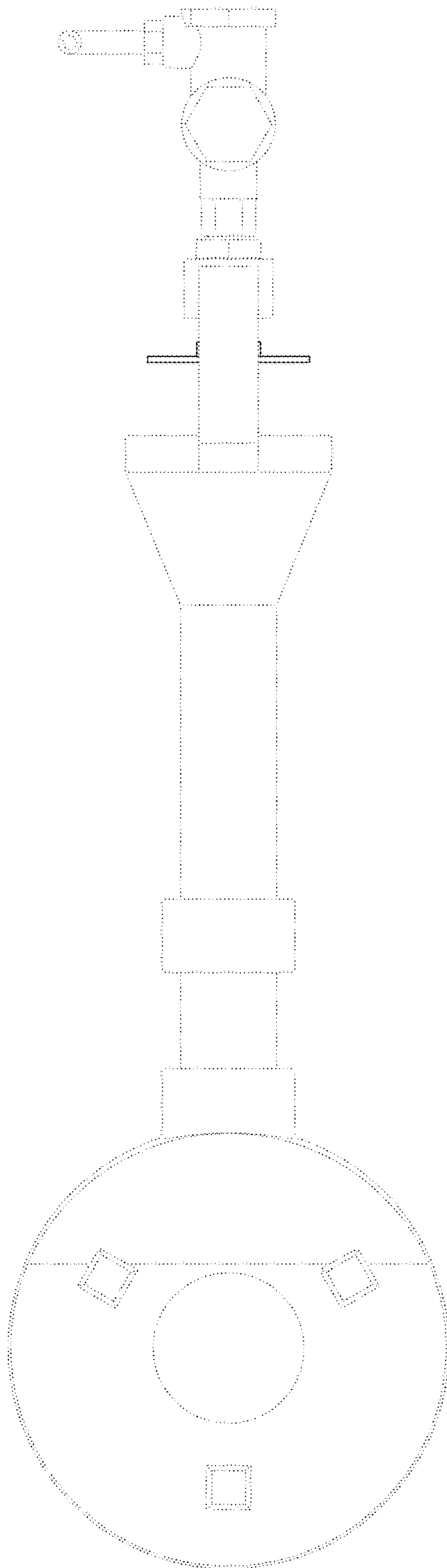


FIG. 5

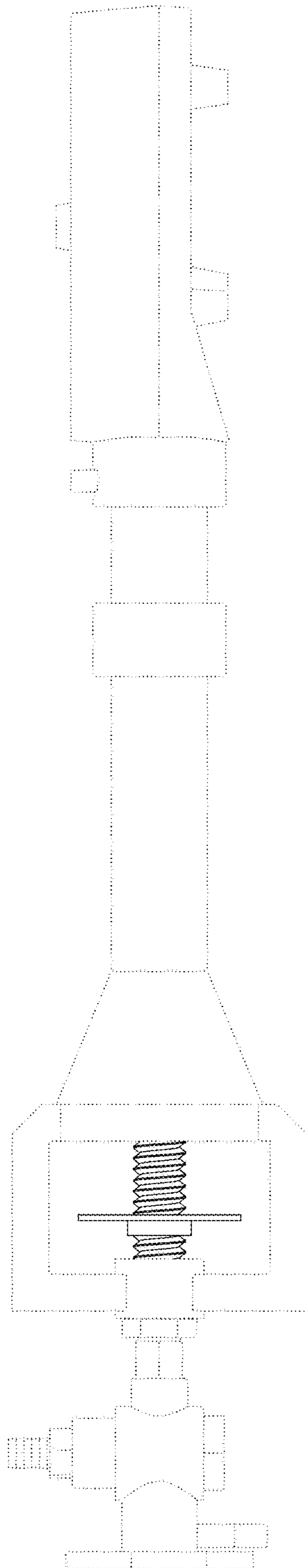


FIG. 6

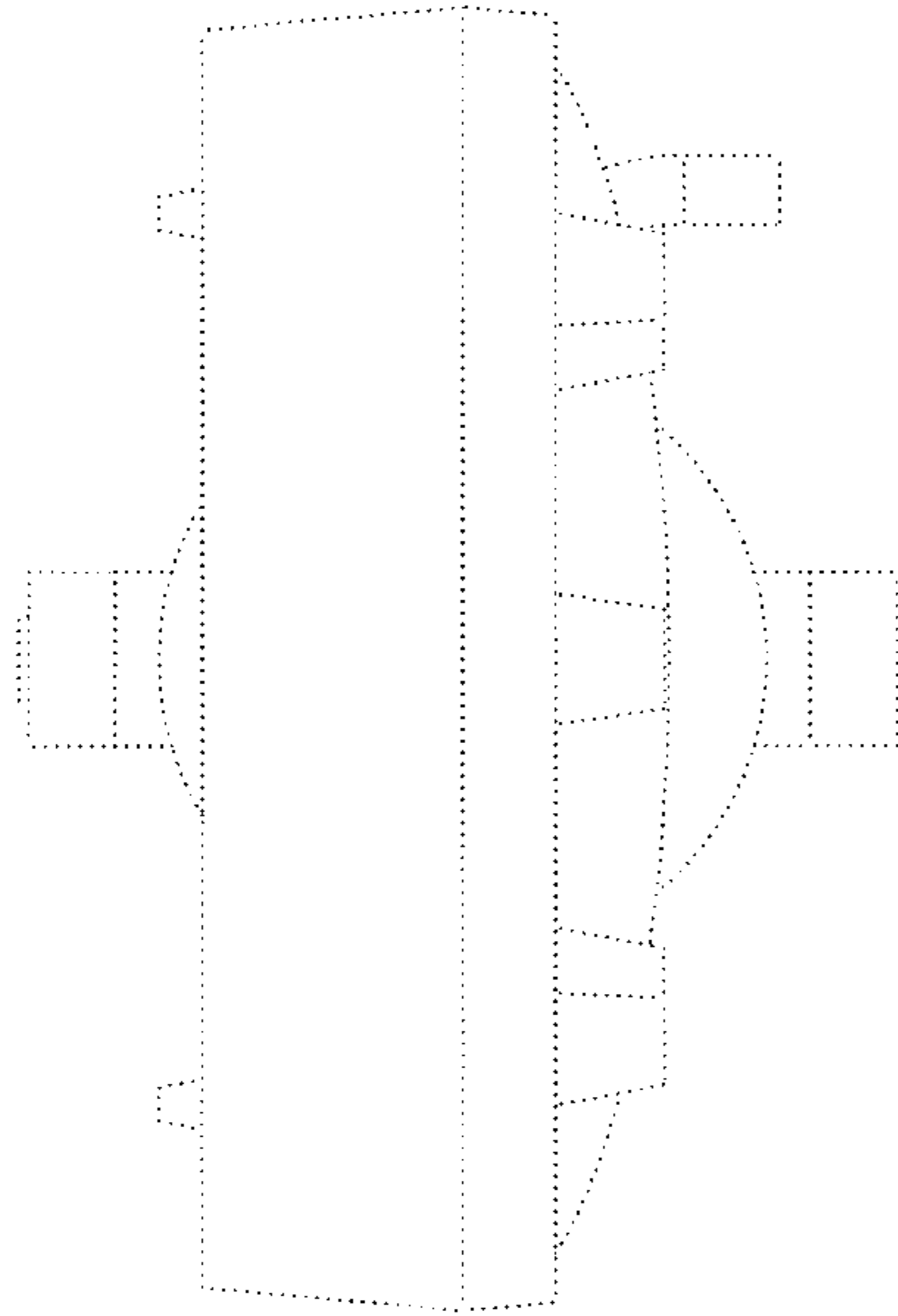


FIG. 7

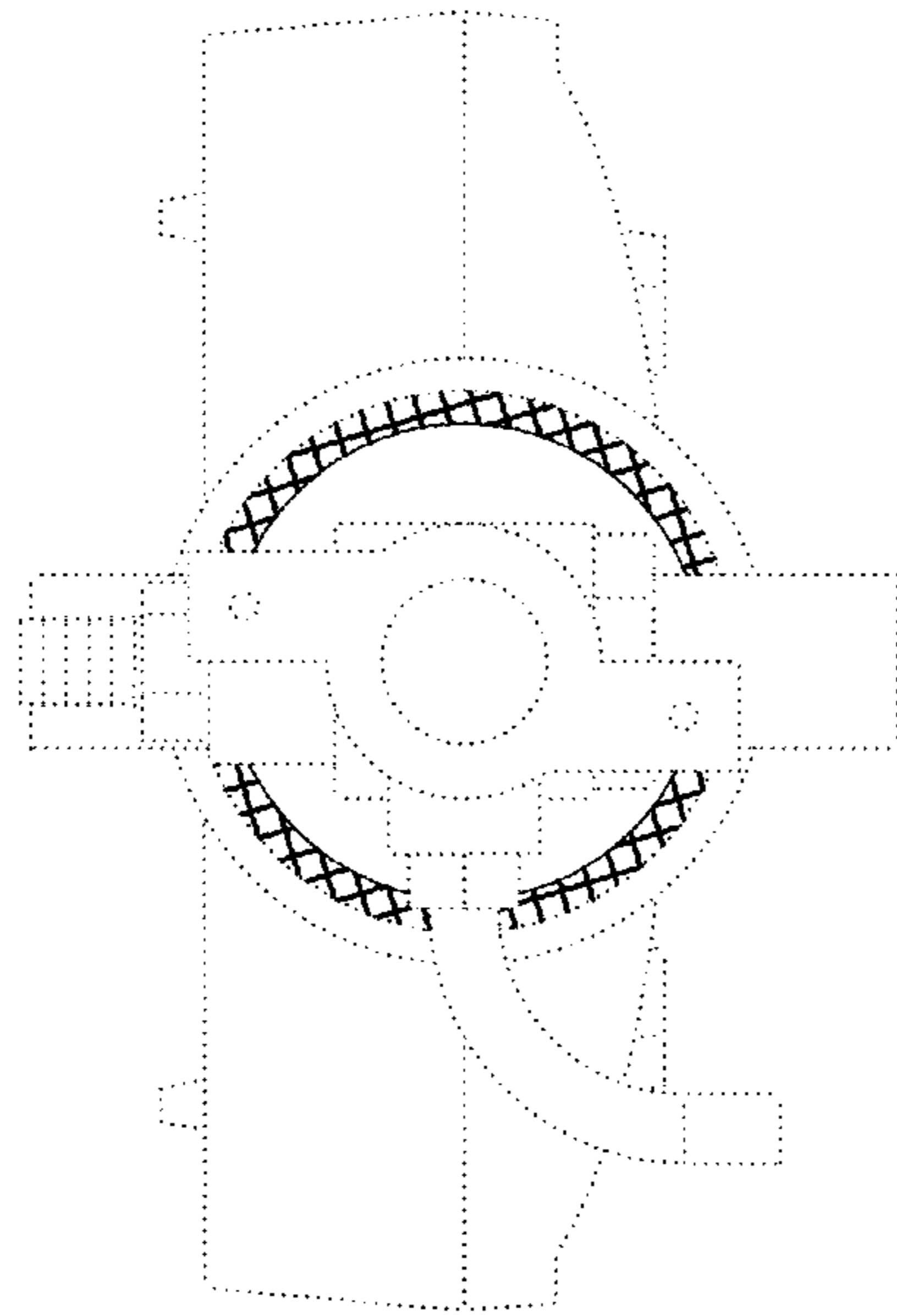


FIG. 8

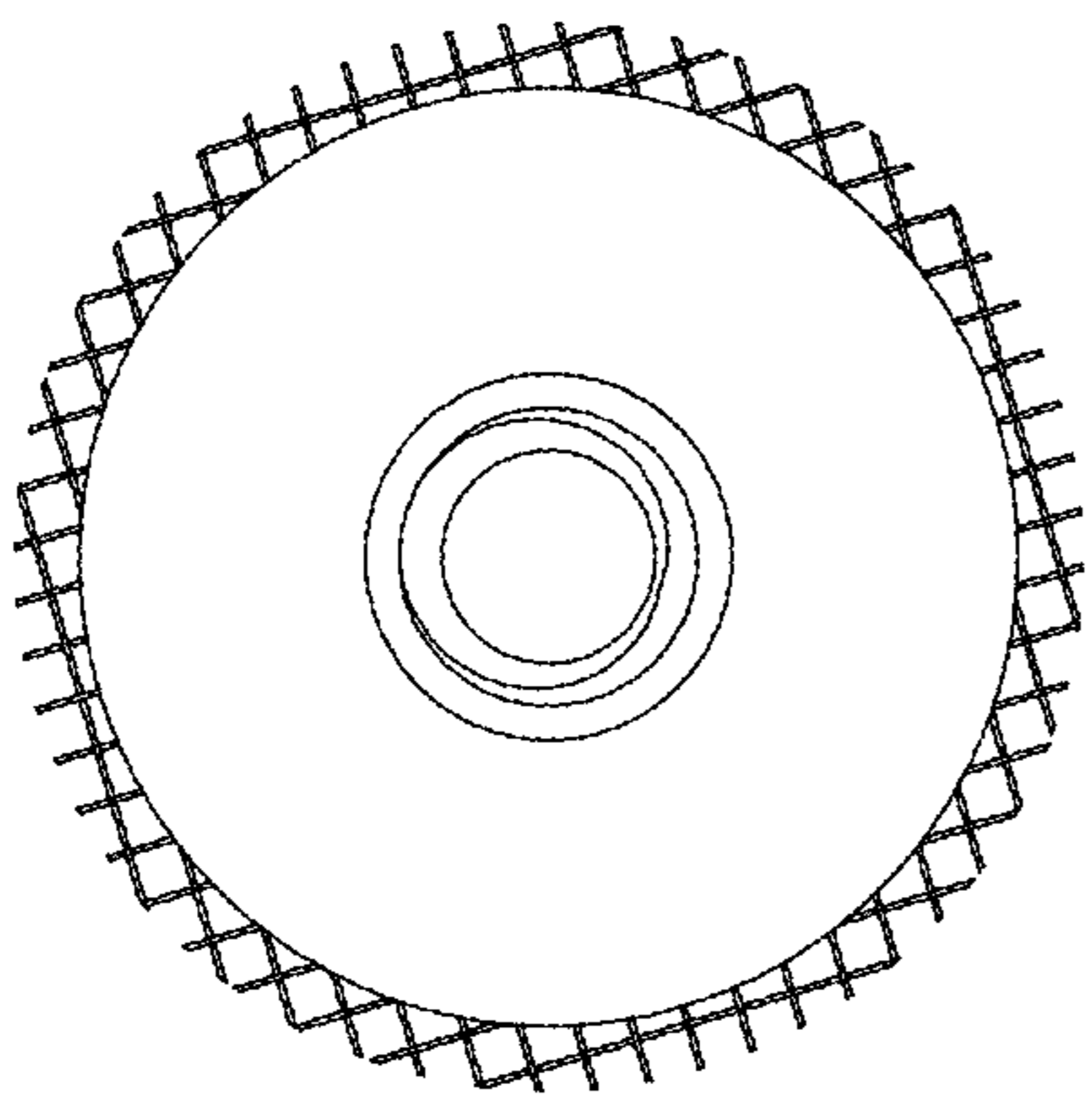


FIG. 9