



US00D898182S

(12) **United States Design Patent**
Zhang

(10) **Patent No.:** **US D898,182 S**

(45) **Date of Patent:** **** Oct. 6, 2020**

(54) **CEILING FAN LIGHT KIT**

(71) Applicant: **Carro Technology Inc.**, Alhambra, CA
(US)

(72) Inventor: **Jiansheng Zhang**, Foshan (CN)

(73) Assignee: **Carro Technology Inc.**, Alhambra, CA
(US)

(**) Term: **15 Years**

(21) Appl. No.: **29/672,134**

(22) Filed: **Dec. 3, 2018**

(30) **Foreign Application Priority Data**

Aug. 16, 2018 (CN) 2018 3 0455743

(51) **LOC (12) Cl.** **23-04**

(52) **U.S. Cl.**
USPC **D23/411**

(58) **Field of Classification Search**

USPC D23/377, 370-376, 378-394, 411-414,
D23/499; D26/51, 59, 72, 79, 92, 124

CPC F04D 25/088; F04D 29/322; F04D 29/324;
F04D 29/388; F04D 29/601; F21V
21/104; F21V 33/0096

See application file for complete search history.

(56) **References Cited**

U.S. PATENT DOCUMENTS

D210,726 S *	4/1968	Gritzer et al.	D23/411
D384,181 S *	9/1997	Borden	D26/110
D478,980 S *	8/2003	Hidalgo	D23/411
D526,715 S *	8/2006	Glasbrenner	D23/411
D547,436 S *	7/2007	Shurtleff	D23/411
D621,027 S *	8/2010	Peia	D23/411
D621,971 S *	8/2010	Yamamoto	D26/2
D627,053 S *	11/2010	Pan	D23/411

D632,384 S *	2/2011	Pan	D23/411
D632,780 S *	2/2011	Pan	D23/411
D654,997 S *	2/2012	Spaggiari	D23/370
D704,819 S *	5/2014	Wang	D23/411
D705,970 S *	5/2014	Ertze	D26/59
D706,407 S *	6/2014	Wang	D23/385
D706,970 S *	6/2014	Wang	D26/59
D717,935 S *	11/2014	Strecker	D23/377
D744,082 S *	11/2015	Wang	D23/411
D744,634 S *	12/2015	Wang	D23/411
D751,187 S *	3/2016	Dolan	D23/411
D771,794 S *	11/2016	Wang	D23/411
D771,795 S *	11/2016	Wang	D23/411

(Continued)

Primary Examiner — Marie D. Fast Horse

(74) *Attorney, Agent, or Firm* — Thomas J. Nikolai;
DeWitt LLP

(57) **CLAIM**

The ornamental design for a ceiling fan light kit, as shown and described.

DESCRIPTION

FIG. 1 is a top perspective view of a ceiling fan light kit showing my new design;

FIG. 2 is a front elevation view thereof;

FIG. 3 is a rear elevation view thereof;

FIG. 4 is a left side elevation view thereof;

FIG. 5 is a right side elevation view thereof;

FIG. 6 is a top plan view thereof;

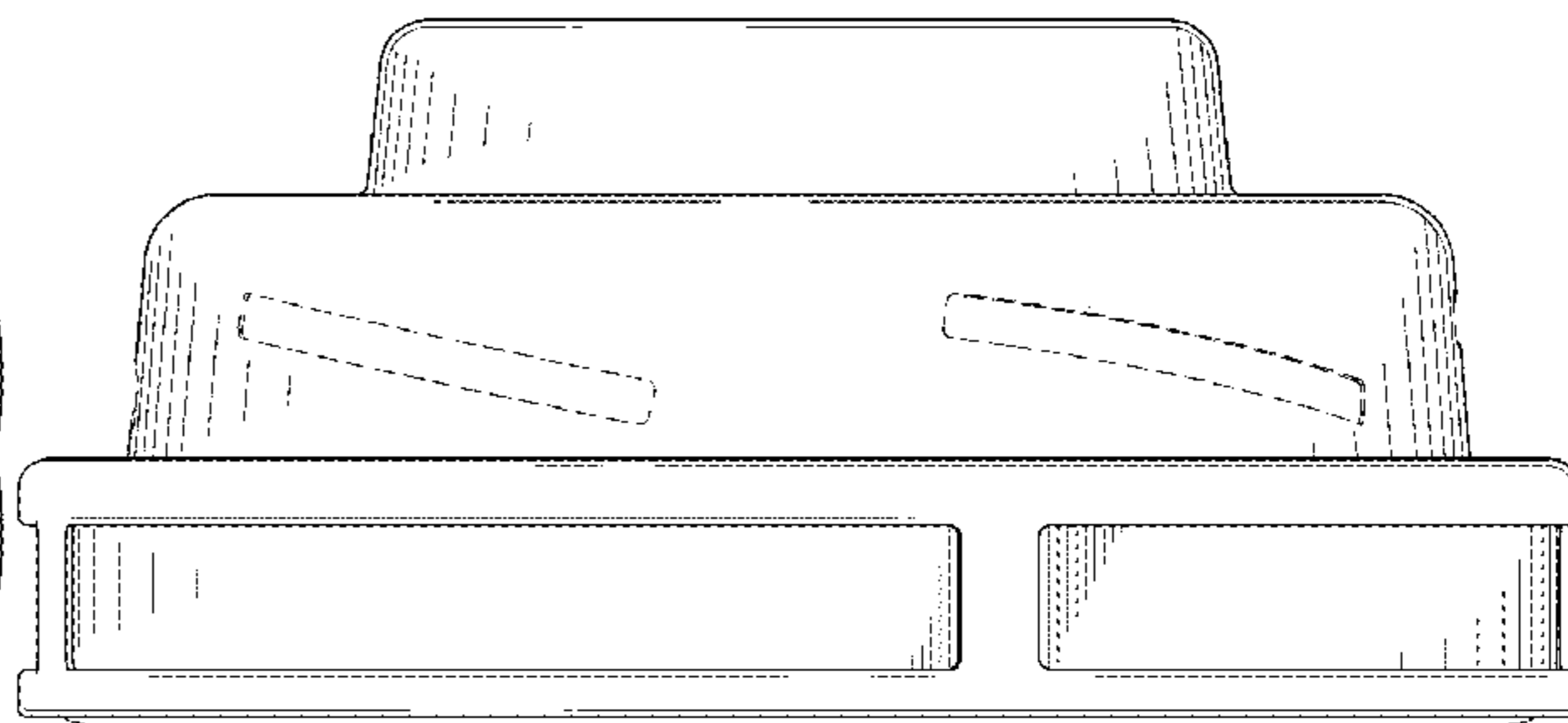
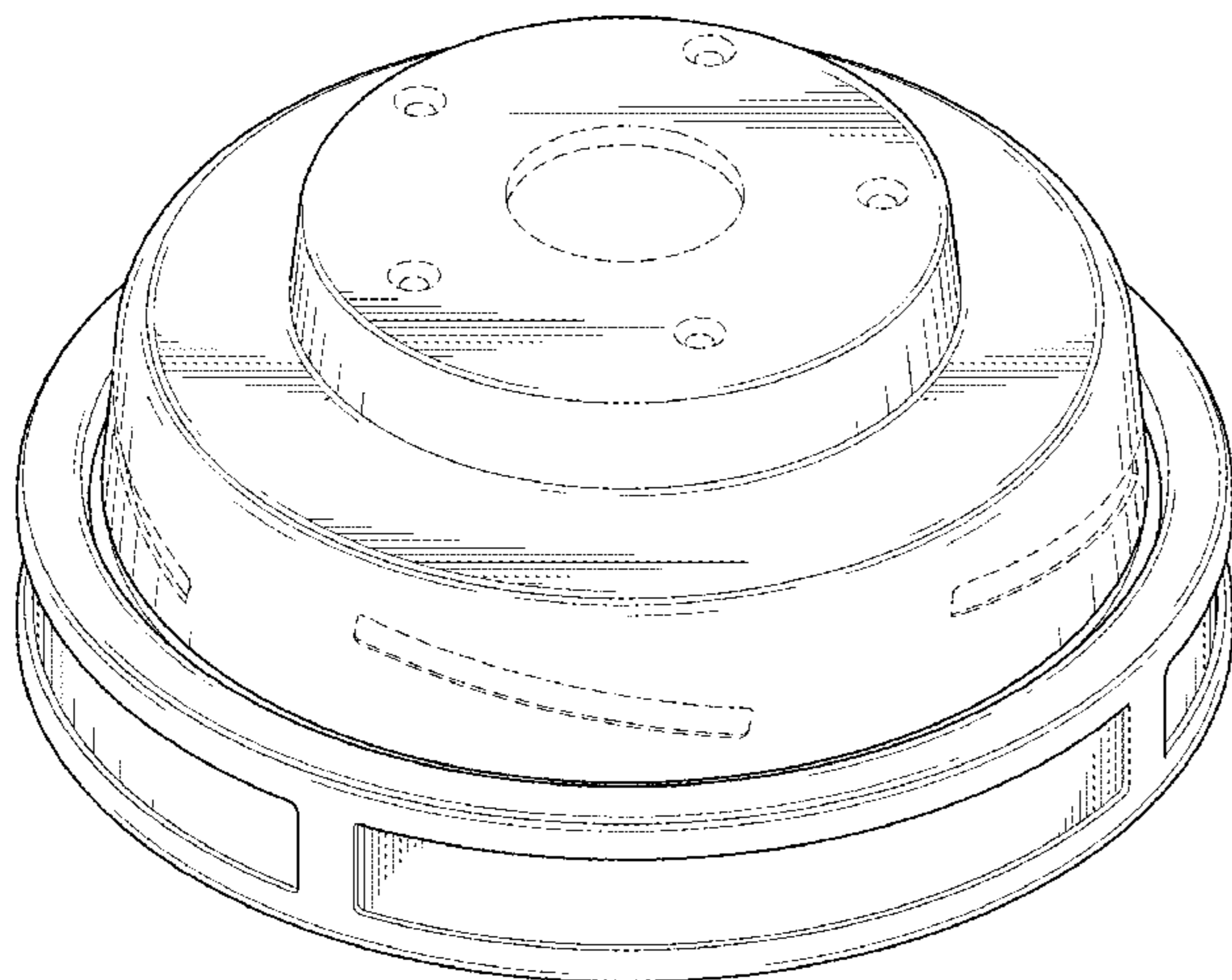
FIG. 7 is a bottom plan view thereof;

FIG. 8 is a bottom perspective view thereof; and,

FIG. 9 is another perspective view of the ceiling fan light kit in accordance with my design, shown in its environment.

The additional broken lines in FIG. 9 showing the ceiling fan blades, down-rod, and canopy depict environmental structure only and form no part of the claim; while all other broken lines in the drawings depict portions of the ceiling fan light kit that form no part of the claimed design.

1 Claim, 9 Drawing Sheets



(56)

References Cited

U.S. PATENT DOCUMENTS

D772,393	S	*	11/2016	Wang	D23/413
D773,634	S	*	12/2016	Wang	D23/385
D779,049	S	*	2/2017	Wang	D23/385
D782,644	S	*	3/2017	Wang	D23/377
D795,411	S	*	8/2017	Wang	D23/377
D796,659	S	*	9/2017	Schulzman	D23/377
D802,114	S	*	11/2017	Busta	D23/377
D803,384	S	*	11/2017	Wang	D23/411
D804,646	S	*	12/2017	Schulzman	D23/411
D805,173	S	*	12/2017	Vajen Habig	D23/411
D810,270	S	*	2/2018	Wang	D23/411
D810,920	S	*	2/2018	Haggar	D23/377
D811,578	S	*	2/2018	Badarello	D23/411
D825,736	S	*	8/2018	Badarello	D23/411
D832,993	S	*	11/2018	Peia	D23/411
D833,594	S	*	11/2018	Wang	D23/377
D838,357	S	*	1/2019	Haggar	D23/411
D844,770	S	*	4/2019	Schulzman	D23/411
D855,172	S	*	7/2019	Holmes	D23/411
D855,788	S	*	8/2019	Haggar	D23/377
D855,789	S	*	8/2019	Haggar	D23/377
D861,155	S	*	9/2019	Badarello	D23/411
10,511,206	B2	*	12/2019	Zhang	F04D 25/062
D873,987	S	*	1/2020	Biancuzzo	D23/377
D875,918	S	*	2/2020	Haggar	D23/411
D877,313	S	*	3/2020	Wang	D23/377
D877,314	S	*	3/2020	Holmes	D23/411
D877,316	S	*	3/2020	Wang	D23/411
D882,060	S	*	4/2020	Wang	D23/377
2007/0009363	A1	*	1/2007	King	F04D 25/088 416/210 R

* cited by examiner

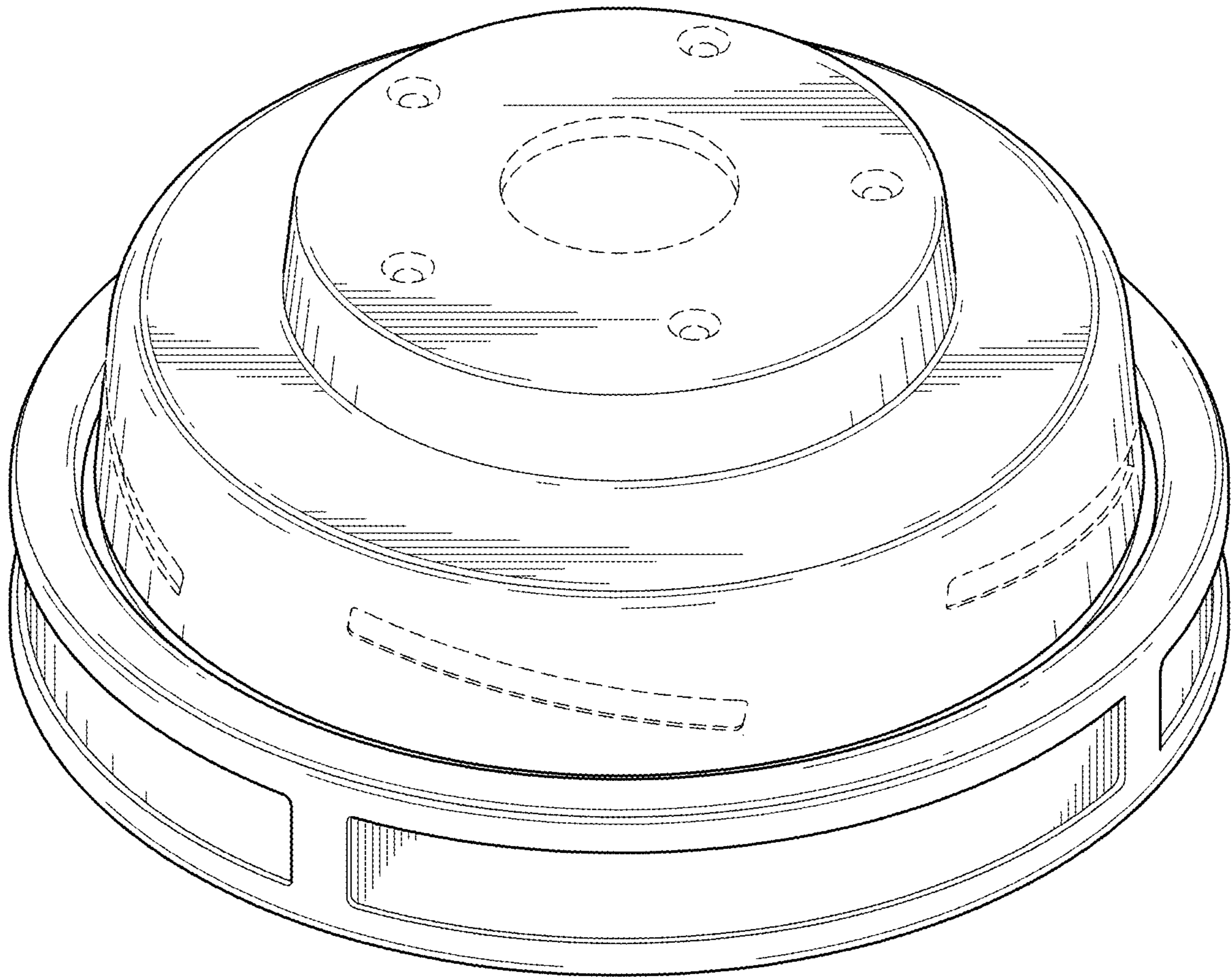


FIG. 1

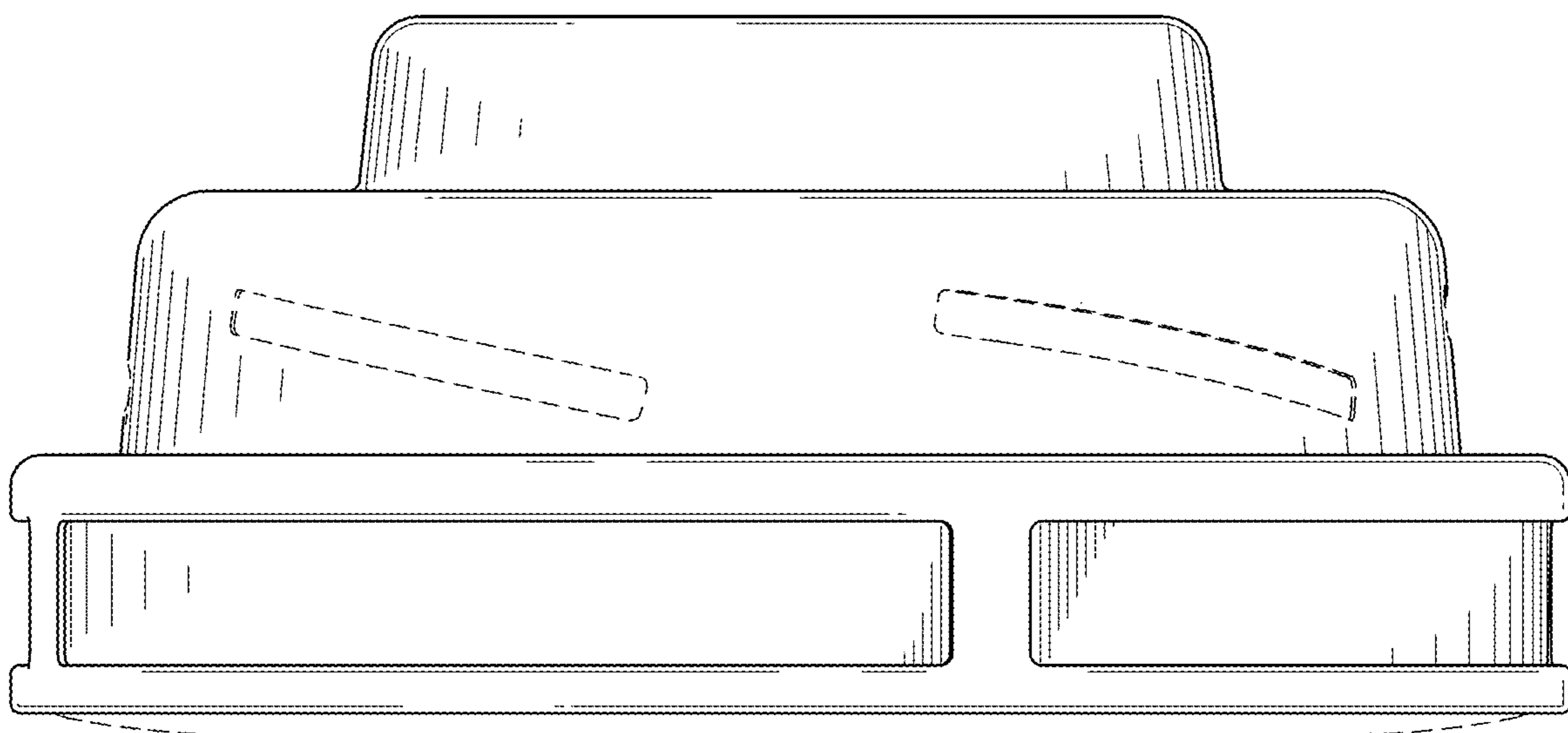


FIG. 2

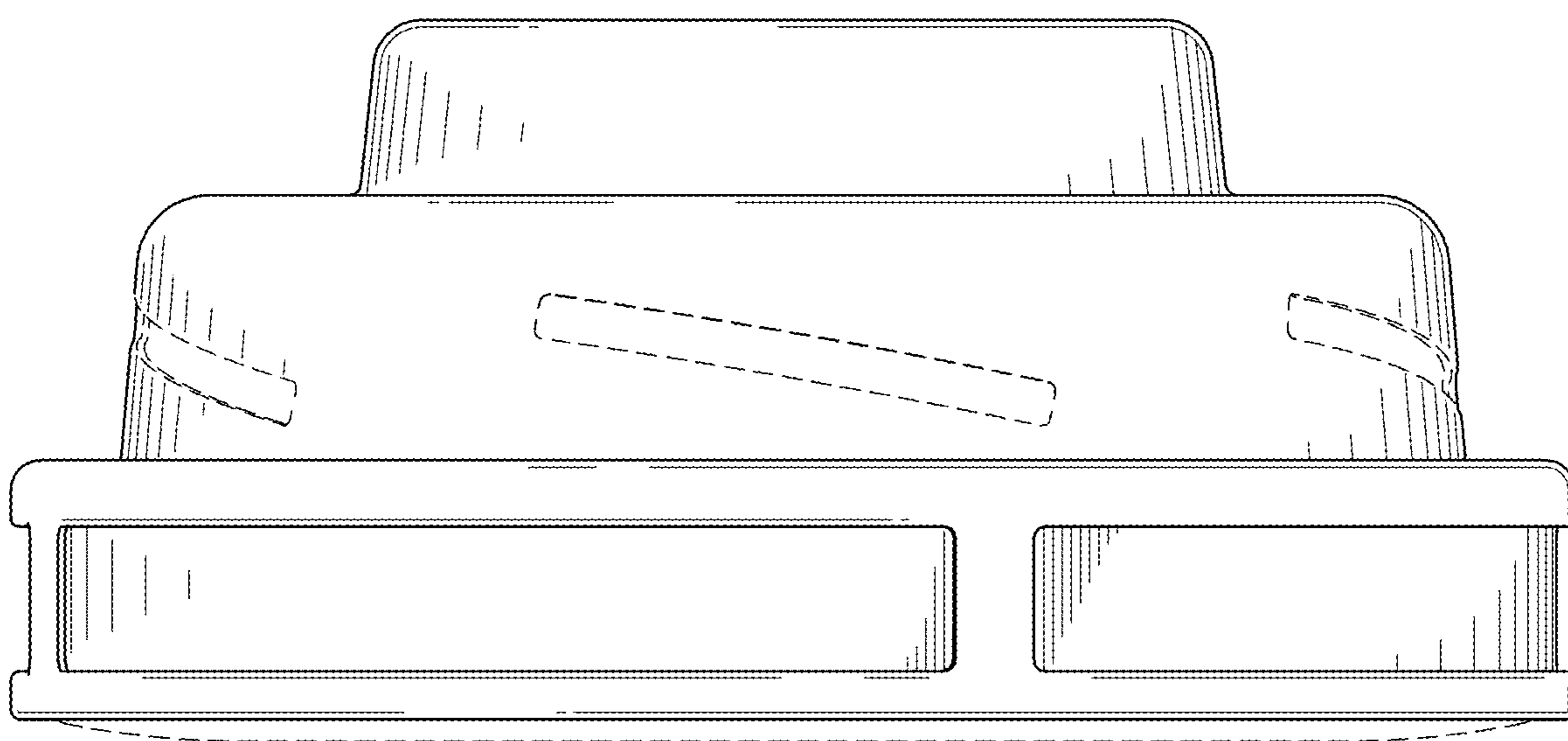


FIG. 3

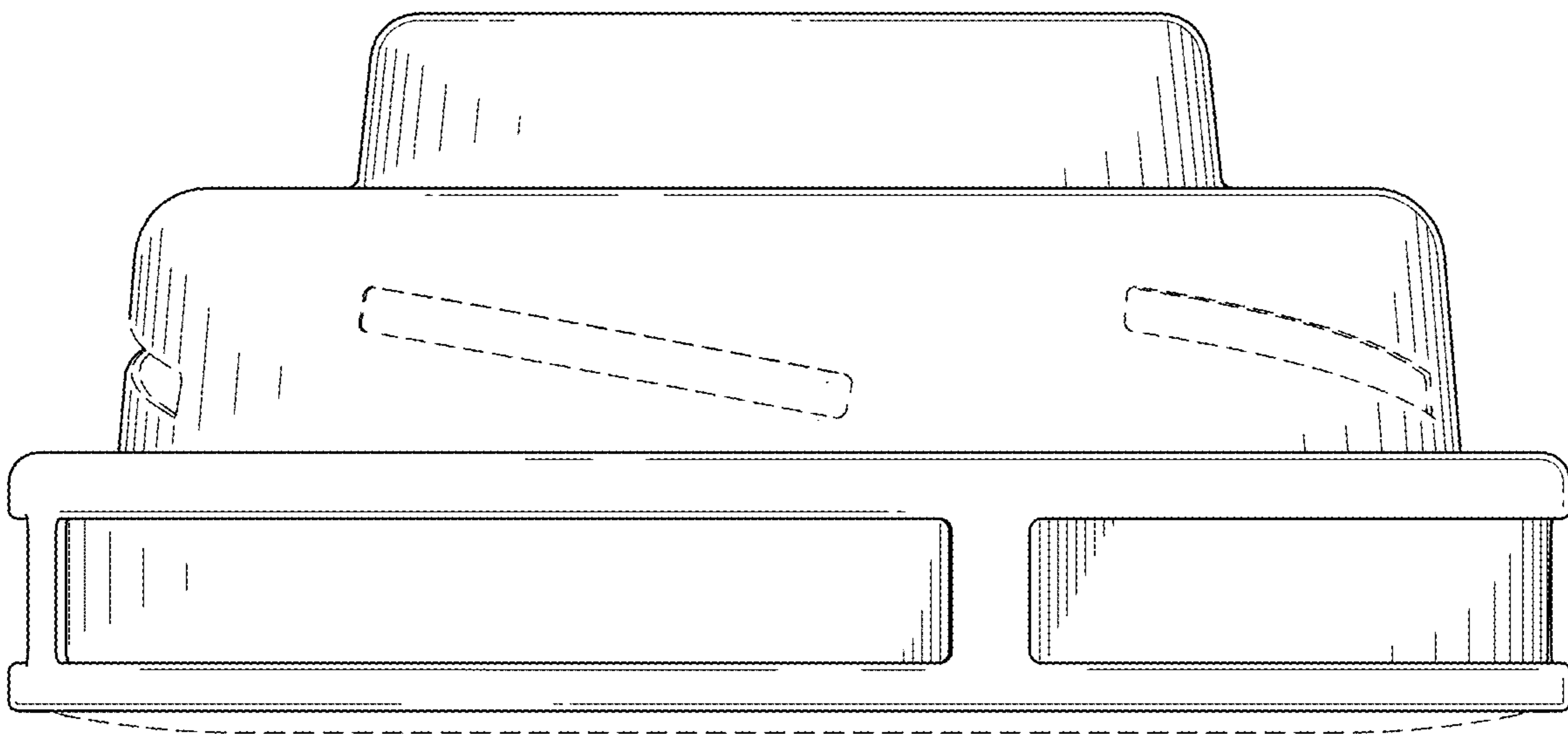


FIG. 4

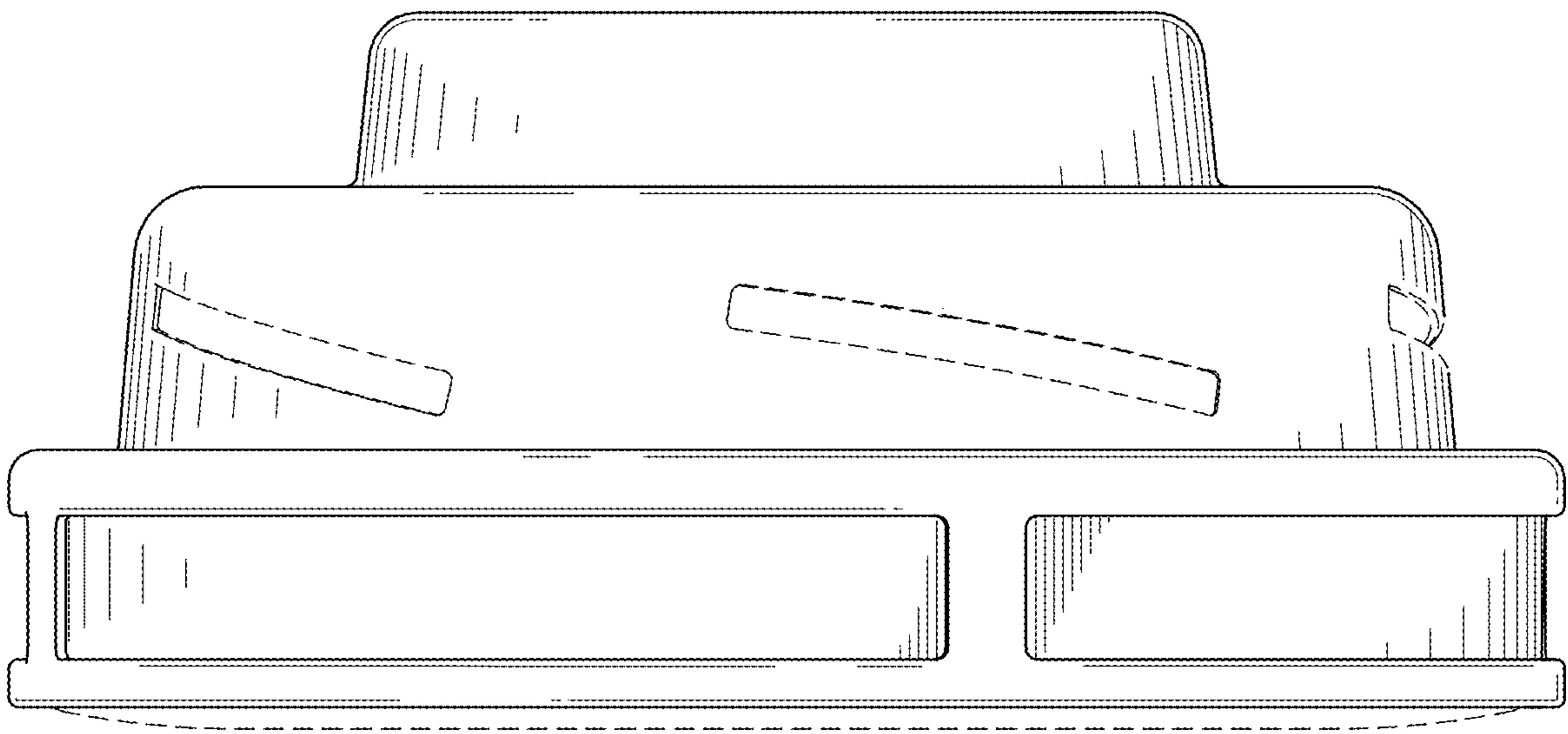


FIG. 5

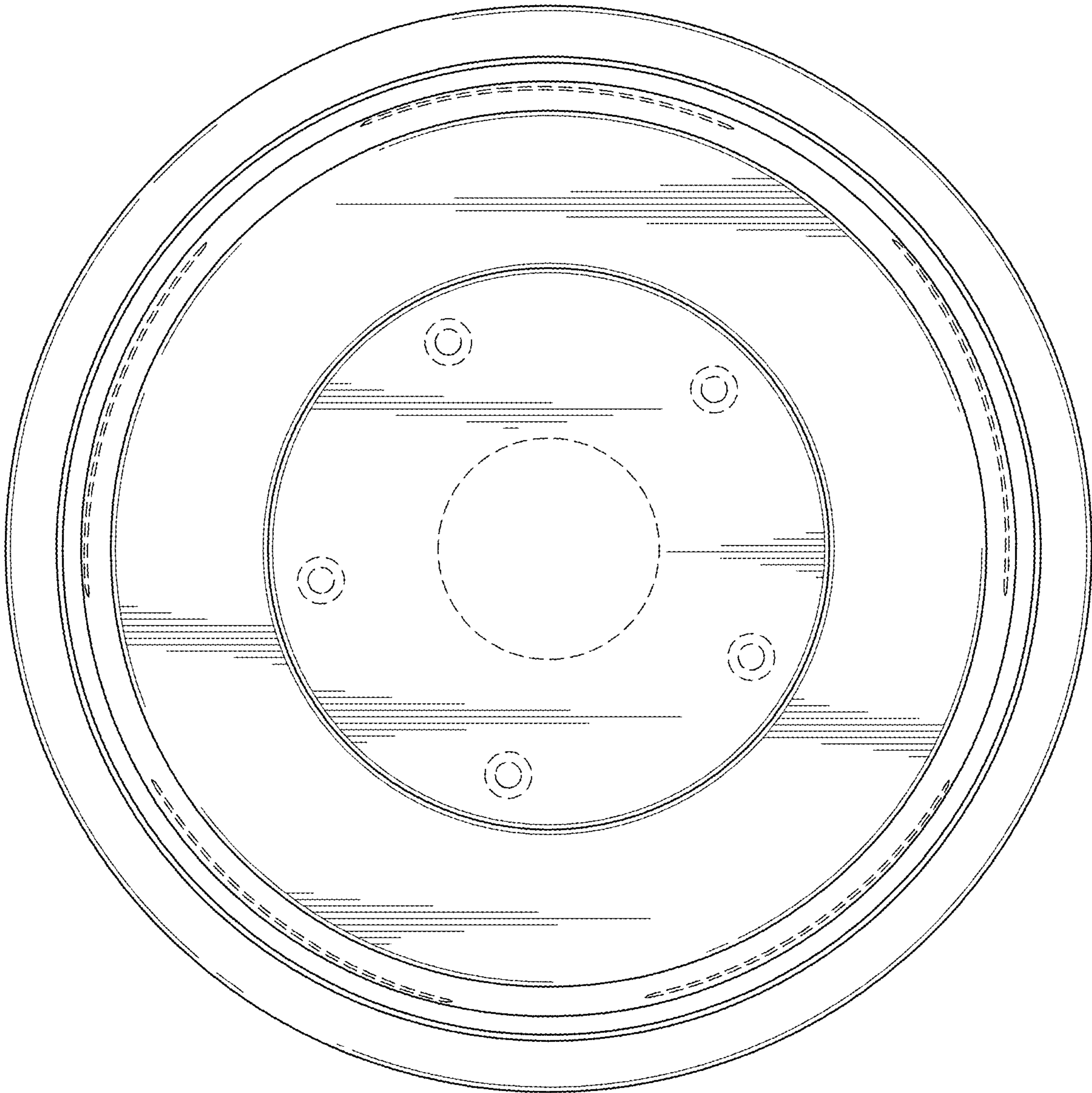


FIG. 6

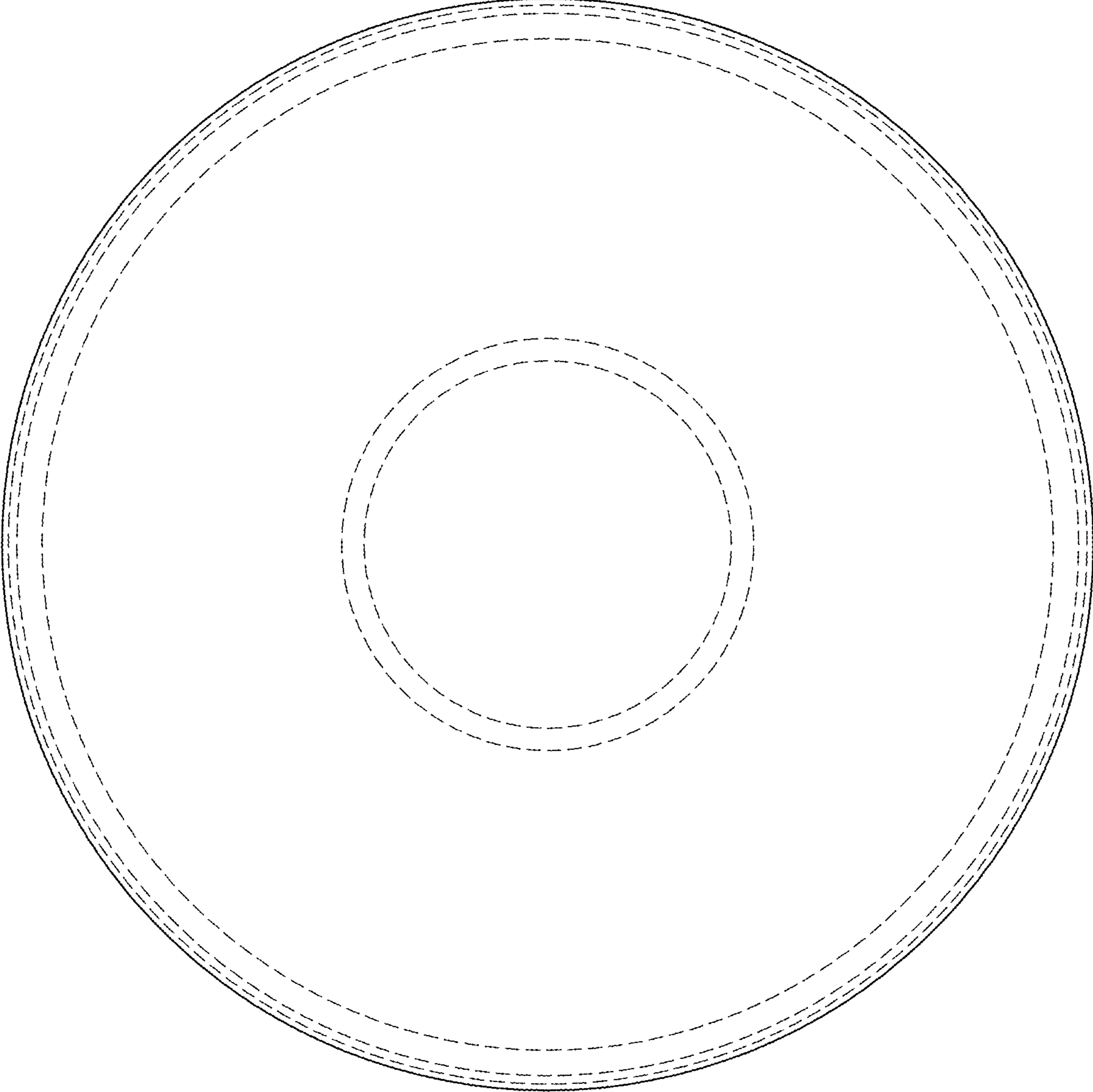


FIG. 7

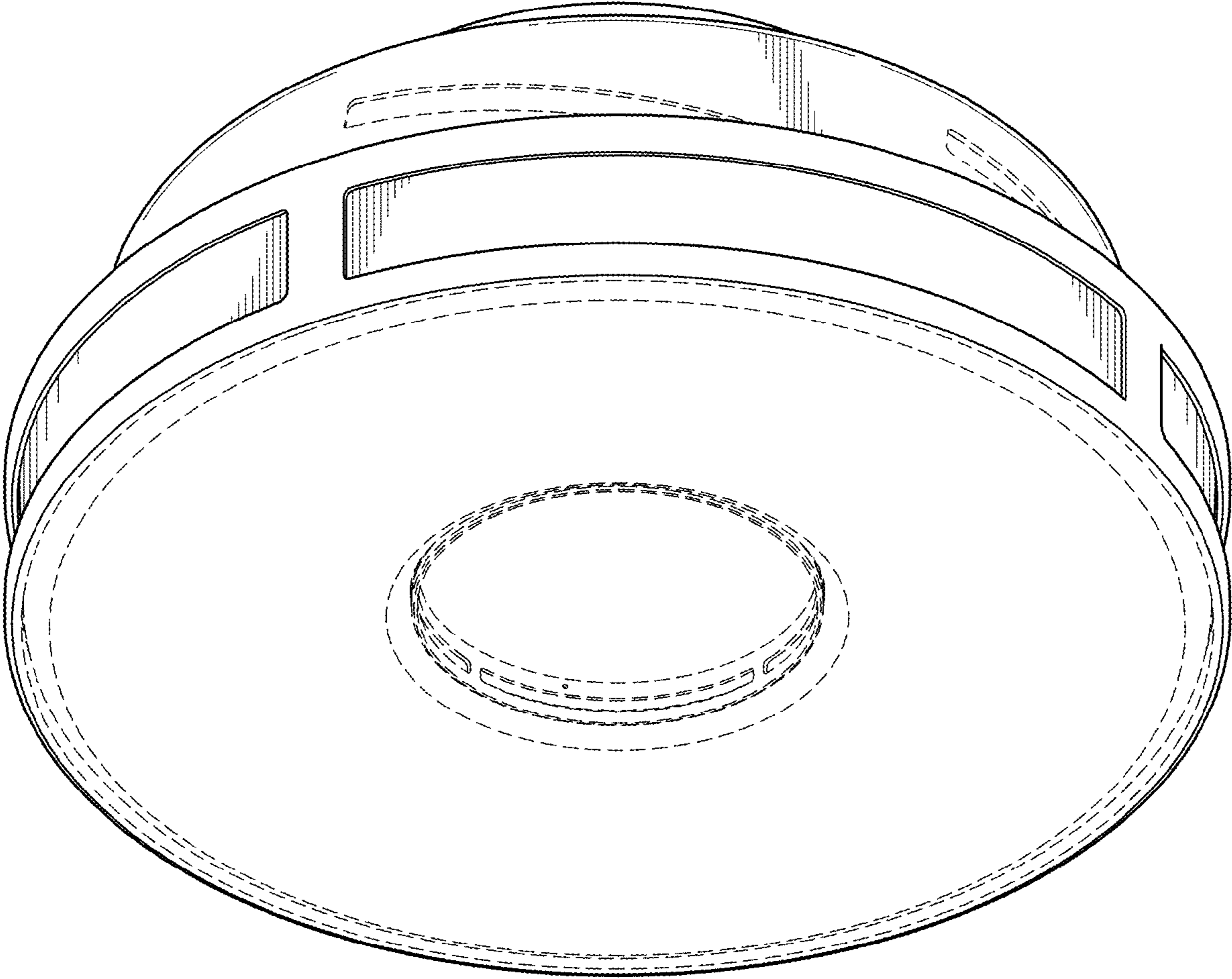


FIG. 8

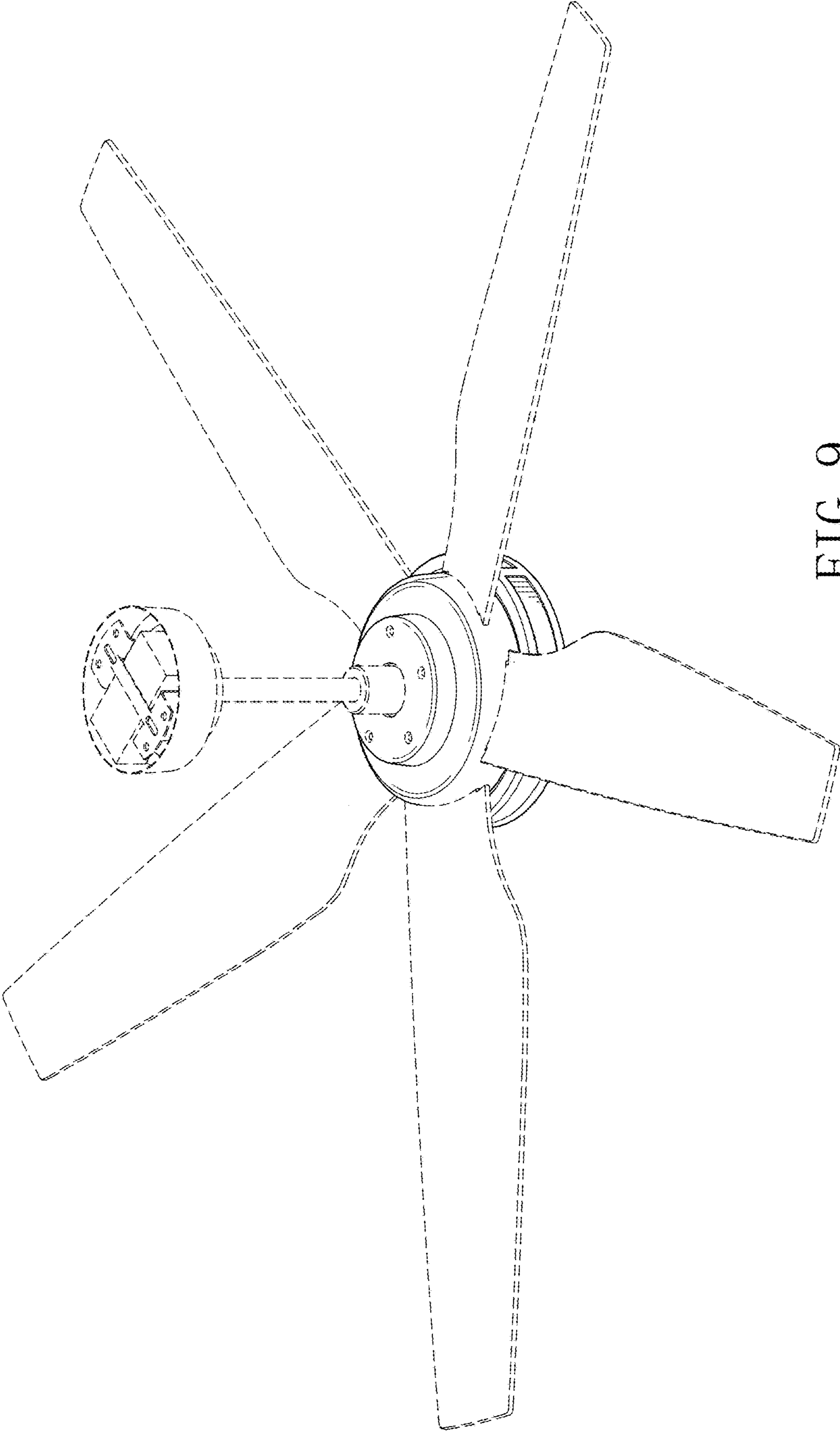


FIG. 9