



US00D898181S

(12) **United States Design Patent** (10) **Patent No.:** **US D898,181 S**  
**Sahaye** (45) **Date of Patent:** **\*\* Oct. 6, 2020**

(54) **ROUND FIRE GRATE**  
(71) Applicant: **Progressive Home Hardware Inc.,**  
Alpharetta, GA (US)  
(72) Inventor: **Nivay Sahaye,** Lawrenceville, GA (US)  
(73) Assignee: **Progressive Home Hardware Inc.,**  
Alpharetta, GA (US)

D442,020 S \* 5/2001 Pierick ..... D7/354  
D446,688 S \* 8/2001 Vanello ..... D7/601  
D486,689 S \* 2/2004 Lu ..... D7/403  
D503,068 S \* 3/2005 May ..... D7/388  
D650,225 S \* 12/2011 Bartol ..... D7/354  
D678,712 S \* 3/2013 Mehler ..... D7/354  
D734,986 S \* 7/2015 Cotter ..... D7/354  
D837,593 S \* 1/2019 Trudnak ..... D7/409  
D857,878 S \* 8/2019 Blacketer ..... D23/412

(\*\*) Term: **15 Years**  
(21) Appl. No.: **29/631,195**  
(22) Filed: **Dec. 28, 2017**  
(51) **LOC (12) Cl.** ..... **23-03**  
(52) **U.S. Cl.**  
USPC ..... **D23/398**  
(58) **Field of Classification Search**  
USPC ..... D23/398, 412, 397, 403; D7/408, 409,  
D7/388

See application file for complete search history.

(56) **References Cited**  
U.S. PATENT DOCUMENTS

D119,039 S \* 2/1940 Hennessy ..... D7/408  
D157,480 S \* 2/1950 Foss ..... D7/388  
D251,107 S \* 2/1979 Ottier ..... D7/409  
4,249,464 A \* 2/1981 Hansen ..... F24C 15/16  
99/450  
D265,790 S \* 8/1982 Taylor ..... D7/388  
D271,935 S \* 12/1983 Conner ..... D7/332  
D278,306 S \* 4/1985 McIntosh ..... D7/409  
5,065,735 A \* 11/1991 Bourgeois ..... F24C 3/14  
126/30  
5,195,424 A \* 3/1993 Guajaca ..... A47J 27/04  
126/348  
D339,266 S \* 9/1993 Lockett ..... D7/323  
D371,719 S \* 7/1996 Perry ..... D7/388  
5,722,390 A \* 3/1998 Hannebaum ..... F24B 1/193  
126/152 B

**OTHER PUBLICATIONS**

Round Fire Pit Grate from the Home Depot. Available Sep. 6, 2017 [site visited Jan. 13, 2020], Available <<https://www.homedepot.com/p/Bonfire-Gear-24-25-in-Round-Fire-Pit-Grate-53173/300385254>> (Year: 2017).\*  
Round Spider Grate for Outdoor Fire Pit by B&M Sales. Available Aug. 24, 2017 [site visited Jan. 13, 2020] Available <<https://www.amazon.com/Sales-Round-Spider-Outdoor-Diameter/dp/B00GH2U00U?th=1>> (Year: 2017).\*  
Fire Pit Grates by Tom, posted to fireplacemall.com. Available date Mar. 5, 2015 [site visited Jul. 27, 2020] Available: <<https://www.fireplacemall.com/fire-pit-grates/>> (Year: 2015).\*

\* cited by examiner

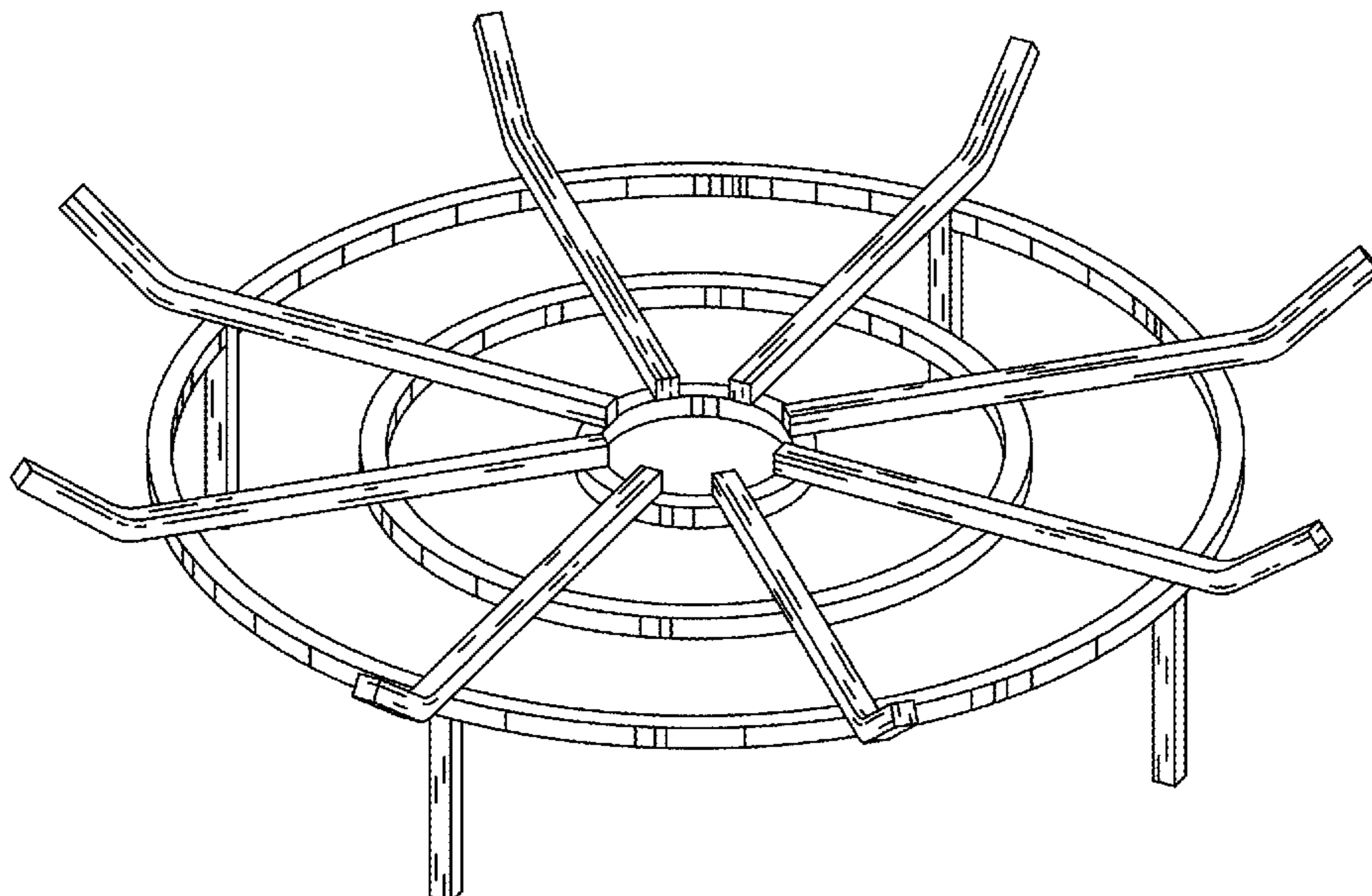
*Primary Examiner* — Kevin K Rudzinski  
(74) *Attorney, Agent, or Firm* — Walter A. Rodgers

(57) **CLAIM**  
The ornamental design for a round fire grate, as shown and described.

**DESCRIPTION**

FIG. 1 is a perspective view of a round fire grate showing my new design;  
FIG. 2 is a front elevation view thereof, the sides and rear view being the same in appearance;  
FIG. 3 is a top plan view thereof; and,  
FIG. 4 is a bottom plan view thereof.

**1 Claim, 4 Drawing Sheets**



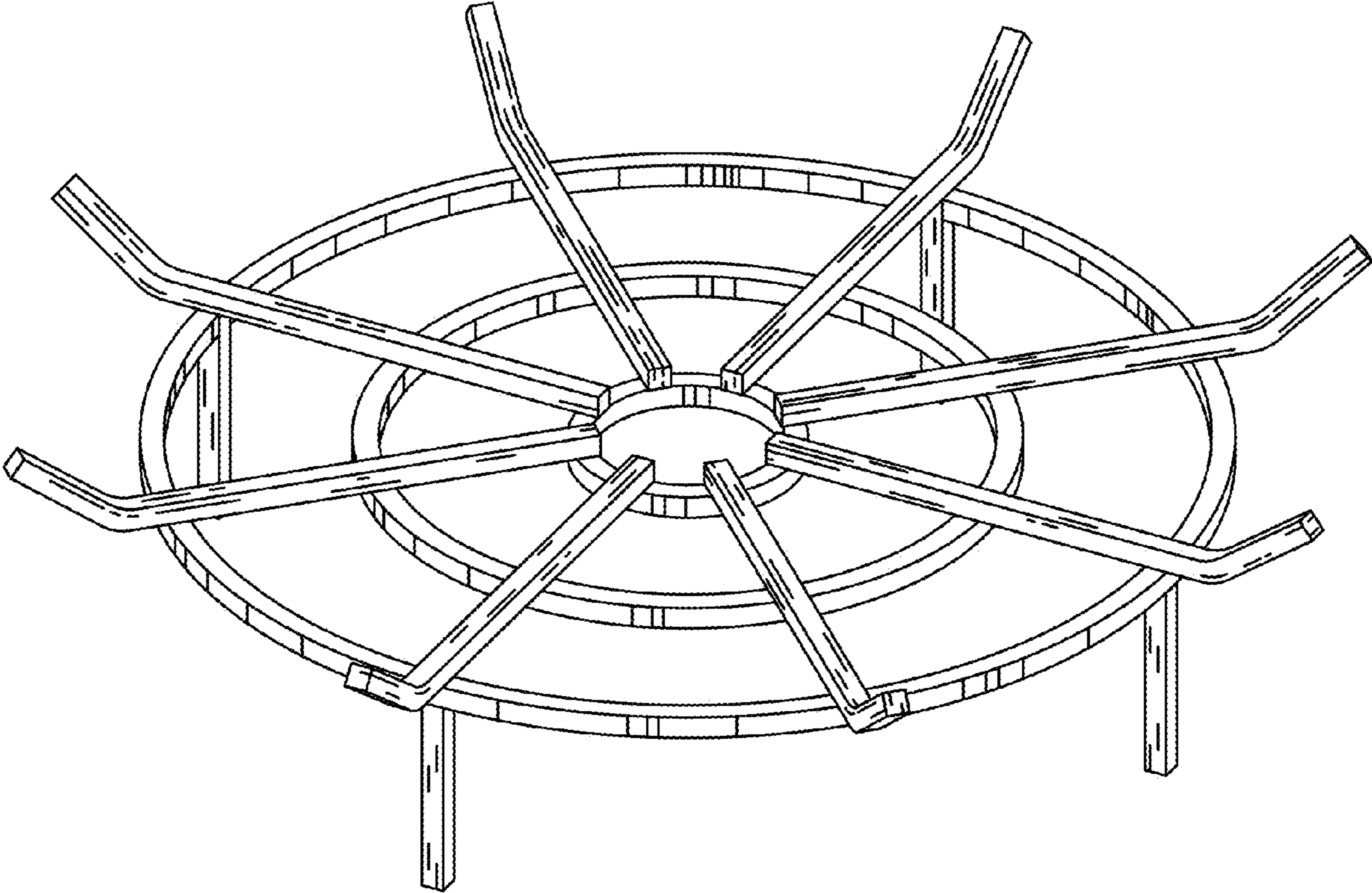


FIG. 1

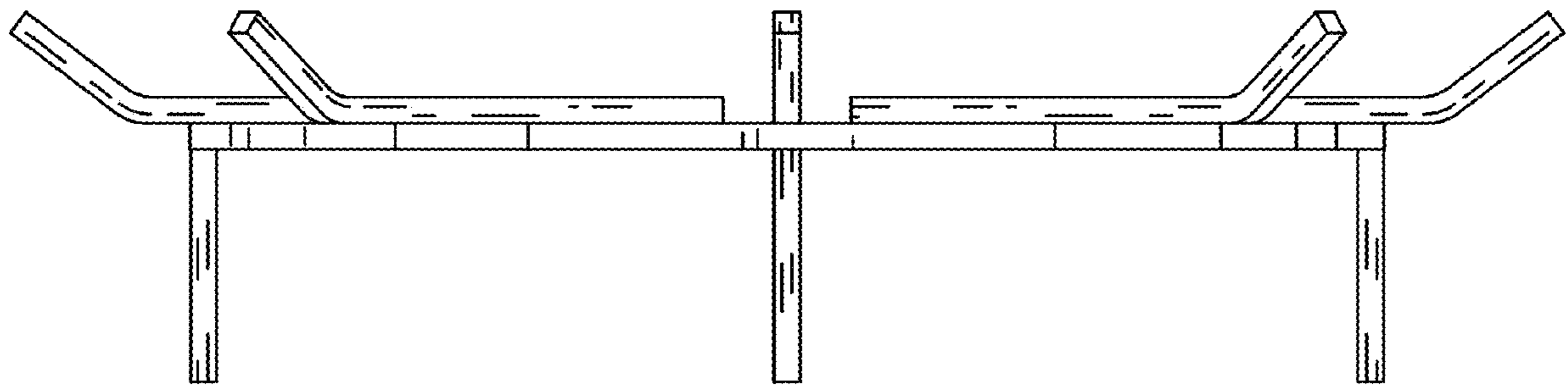


FIG. 2

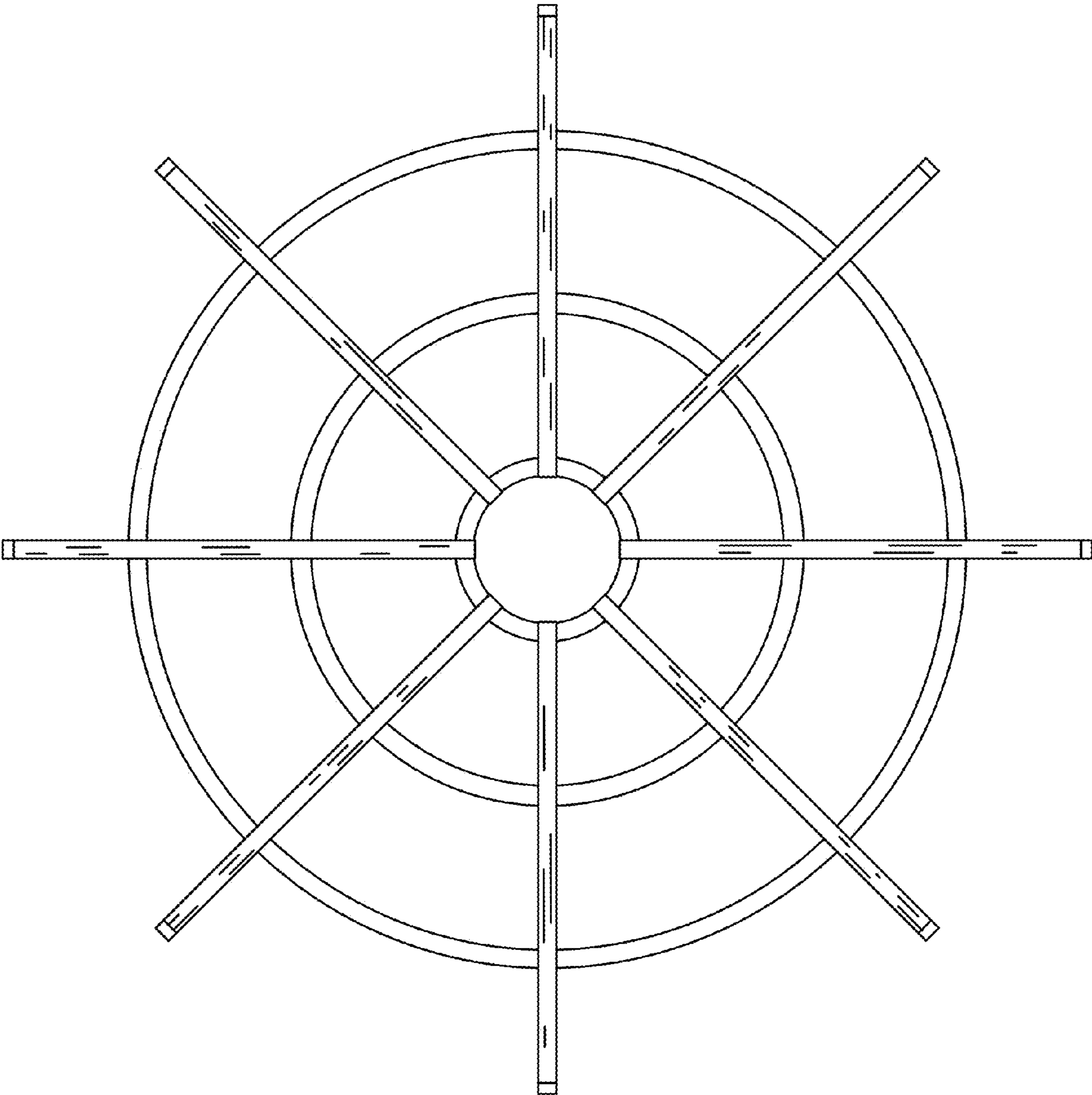


FIG. 3



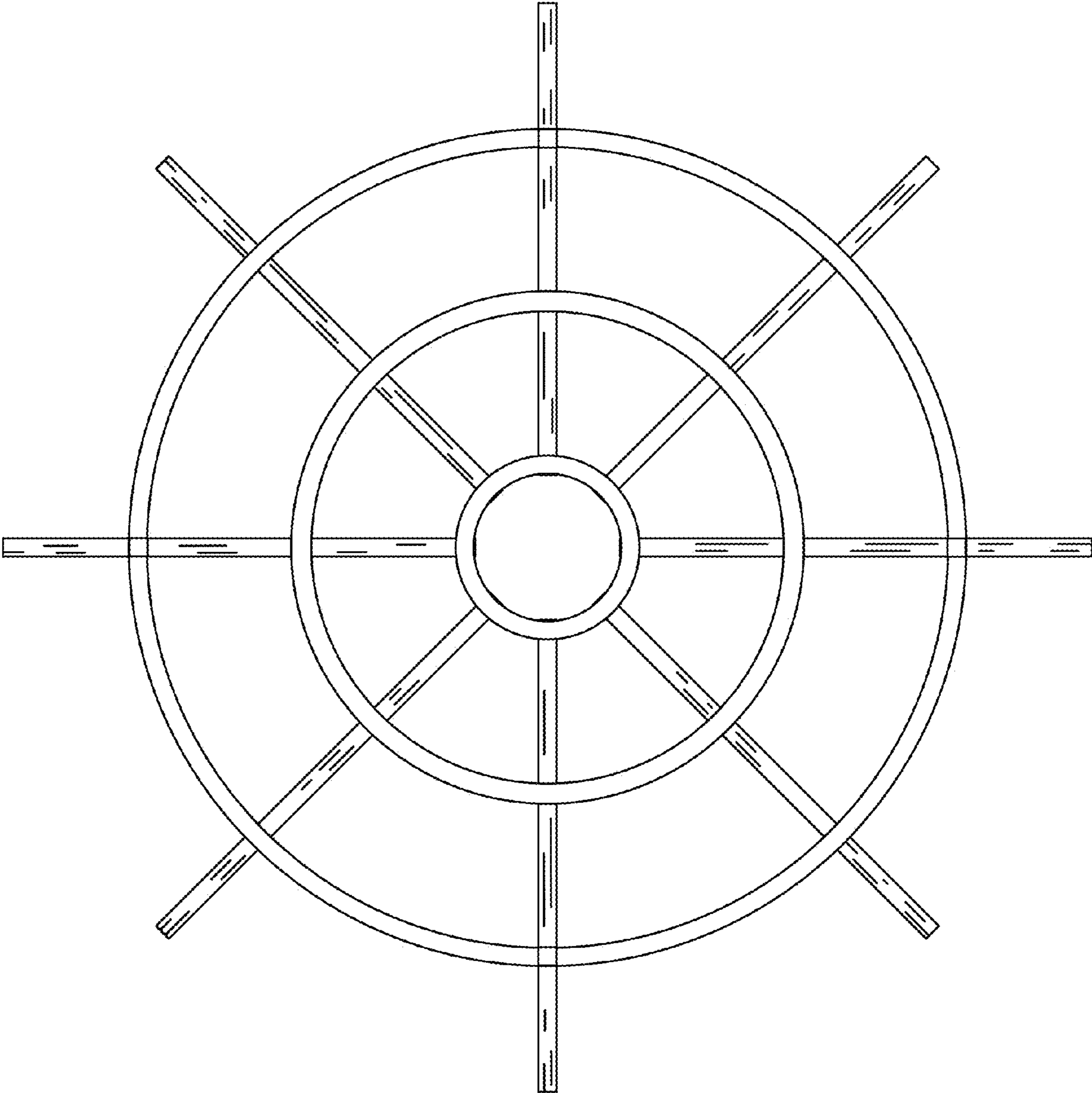


FIG. 4